



1951TM

Cabinetry

Base Series
SPECIFICATION GUIDE | SPRING 2025

Introduction

| | |
|--------------------------|---|
| Contact Information..... | 2 |
| Ordering..... | 3 |
| Delivery..... | 4 |
| Replacements..... | 5 |
| Warranty..... | 6 |

Door Styles

| | |
|---|----|
| Base Series Collections..... | 8 |
| Base Species & Finish Availability..... | 9 |
| Boerne..... | 10 |

Standard Cabinet Specifications

| | |
|-------------------------------------|----|
| Certification..... | 12 |
| Cabinet Specifications..... | 13 |
| Finishing Systems..... | 14 |
| Door Species & Characteristics..... | 15 |
| Wall Cabinet Construction..... | 16 |
| Base Cabinet Construction..... | 17 |
| Cabinet Dimensions..... | 18 |
| Hardware..... | 21 |
| Installed Height Guidelines..... | 22 |
| Ceiling Height Requirements..... | 24 |
| Overlay Dimensions..... | 25 |

Construction Options

| | |
|----------------------------------|----|
| Legend & Upcharges..... | 28 |
| Reduced Depth Option..... | 29 |
| Increased Depth Option..... | 30 |
| Cabinet Front Only Option..... | 30 |
| Inverted Frame Option..... | 30 |
| Void Toe Kick Option..... | 31 |
| Recessed Toe Kick Option..... | 31 |
| Full Depth Shelf Option..... | 32 |
| Matching Interior Option..... | 32 |
| Void Door Option..... | 33 |
| Void Top Drawer Option..... | 33 |
| Specialty Door Options..... | 34 |
| Specialty Door Availability..... | 34 |
| Open Frame Door Profiles..... | 35 |
| Mullion Frame Door Profiles..... | 35 |
| Glass Inserts..... | 36 |
| Decorative Glass Clips..... | 37 |

Wall Cabinets

| | |
|----------------------|----|
| Standard..... | 40 |
| With Spice Rack..... | 42 |
| Wall Top Hinge..... | 42 |
| Microwave..... | 43 |
| Blind..... | 44 |
| Corner..... | 46 |
| Wall End Angle..... | 47 |
| Specialty..... | 47 |
| Range Hoods..... | 50 |
| Accessories..... | 56 |

Base Cabinets

| | |
|---|----|
| One Door Base Cabinets..... | 60 |
| One Door Base With Sliding Shelves..... | 60 |
| One Door Base With Accessories..... | 60 |
| Two Door Base Cabinets..... | 61 |
| Two Door Base With Sliding Shelves..... | 61 |
| Two Door Two Top Drawer Base Cabinets..... | 61 |
| Two Door Two Top Drawer Base Cabinets With Sliding Shelves..... | 62 |
| Three Door Base Cabinets..... | 62 |
| Three Door Base with Sliding Shelves..... | 63 |
| One Door Full-Height Base Cabinets..... | 63 |
| One Door Full-Height Base Cabinets with Sliding Shelves..... | 64 |
| One Door Full-Height Base Cabinets with Accessories..... | 64 |
| Two Door Full-Height Base Cabinets..... | 64 |
| Two Door Full-Height Base Cabinets with Sliding Shelves..... | 65 |
| Drawer Base..... | 65 |
| Peninsula..... | 66 |
| Full-Height Peninsula Base..... | 67 |
| Blind Peninsula Corner Base..... | 67 |
| Corner..... | 69 |
| Sink/Cooktop..... | 74 |
| Sink Base With Sink Base Mat..... | 75 |
| Sink Base With Factory Installed Tilt-Out Tray(s)..... | 76 |
| Sink/Cooktop Front..... | 77 |
| Specialty..... | 78 |
| Accessories..... | 80 |

Desk Cabinets & Bookshelves

| | |
|-------------------------|----|
| Desk Base Cabinets..... | 86 |
| Bookshelves..... | 88 |
| Accessories..... | 89 |

Tall Cabinets

| | |
|---|-----|
| Utility Cabinets..... | 91 |
| Utility Cabinets with Adjustable Shelves..... | 92 |
| Utility Cabinets with Sliding Shelves..... | 94 |
| Oven Cabinets..... | 95 |
| Accessories..... | 102 |

Vanity Cabinets

| | |
|----------------------------------|-----|
| One Door Vanity Cabinets..... | 106 |
| Two Door Vanity Cabinets..... | 106 |
| Full-Height Vanity Cabinets..... | 107 |
| Vanity Drawer Base..... | 107 |
| Vanity Sink Base..... | 108 |
| Vanity Combo Sink Base..... | 111 |
| Vanity Sink Front..... | 112 |
| Specialty..... | 113 |
| Accessories..... | 114 |
| Vanity Linen Cabinets..... | 115 |
| Vanity Linen Accessories..... | 116 |

Molding & Decorative Accents

| | |
|---------------------------|-----|
| Moldings..... | 118 |
| Molding Stacks..... | 124 |
| Valances..... | 127 |
| Corbels..... | 129 |
| Legs and Feet..... | 131 |
| Split Post and Block..... | 134 |

Panels, Fillers & Installation Items

| | |
|-------------------------|-----|
| Panels..... | 138 |
| Decorative Island..... | 142 |
| Fillers..... | 146 |
| Base Toe Kick..... | 149 |
| Installation Items..... | 149 |

Decorative Hardware

| | |
|--------------------------|-----|
| Decorative Hardware..... | 153 |
|--------------------------|-----|

Parts Directories

| | |
|------------------------|-----|
| Parts Directories..... | 163 |
|------------------------|-----|

Index

| | |
|------------|-----|
| Index..... | 201 |
|------------|-----|

1951 Cabinetry Contact Information

Partner Team

Phone: 877-957-7278

Fax: 877-957-7277

Email: partners@woodmark.com

Partner Team Hours of Operation

Monday – Friday 8:00 AM – 7:00 PM EST

1951 Cabinetry Website

www.1951cabinetry.com

Ordering

1951 Cabinetry® Service Policy

1951 Cabinetry stands behind a solid Service Policy that supports our goal to deliver a superior customer experience. 1951 Cabinetry is with you every step of the way, from easy 24/7 order placement to enhanced customer delivery and rapid resolution.

Order Placement Procedure

Online Ordering is available 24 hours a day, 7 days a week for order placement, quoting, and tracking. This can be accessed by logging in to <https://go.woodmark.com/onlineordering>. To ensure accuracy and maintain delivery schedules, please include and double check the following information with every order.

- » Delivery address (P.O. Boxes not accepted)
 - » PO, job name, and contact information
 - » Contact information should include two phone numbers (home, cell, work, etc) and an email address
 - » Door style, wood species, and finish
 - » All quantities, product descriptions, and applicable options
 - » Any special delivery services or additional customer requests (if applicable)
 - » Designer name
- All orders received will be processed and an order confirmation sent via email within 1–2 business days of receipt of your order.
 - Upon receipt of the acknowledgement, 1951 strongly encourages that the order be proofed for accuracy.
 - Once an order is processed, it will normally ship from our assembly plants in 15 business days or less. Delivery will be based on the profile established for the specific market and distributor.
 - A final delivery confirmation will be sent via email approximately 10 days prior to delivery.
 - Orders can be modified until the final confirmation notice has been sent. Changes to an order that is in production may result in a delay in shipment. The status of all orders can be viewed through our Online Ordering system.

Delivery

Delivery Services

1951 ensures client satisfaction with tightly scheduled, pre-arranged deliveries.

Home and Store Delivery:

- Deliveries are made from 8:00 am to 5:00 pm, Monday through Friday, unless otherwise agreed upon when the appointment is scheduled.
- Deliveries are made to a dry, secure location on the ground level or 1 level up or down from the delivery truck.
- The delivery agent will use the contact information submitted with the order when scheduling.
- Approximately 10 days prior to delivery, an email confirmation will be sent to the email address submitted with the order, providing the first available delivery date.
- Shortly before or after the order leaves our facility, the carrier will call to schedule a delivery date.
- The day before the order delivers, the delivery agent will call to provide a 4 hour delivery window.
- Approximately 1 hour prior to delivery, the driver will call to provide an estimated delivery time.
- If there is evidence of damage to the packaging, the driver may unpack and inspect the cabinets.
- The Partner Team should be contacted immediately in the event of any problems, shortages or damages.
- Special delivery services may be offered on a requested basis. Please contact the Partner Team for additional information.

Replacement

Replacement Policy for Damaged, Defective, Mis-shipped, or Product Shortage

Replacement items needed as a result of mishandling by 1951 Cabinetry will be shipped on the first possible date based upon product and logistical availability. Contact the Partner Team for assistance.

- Replacement items will be furnished under the following conditions:
 - » Covered under 1951 Cabinetry Limited Lifetime Warranty
 - » Product is damaged during delivery and 1951 is notified within 60 days from delivery date
 - » Product is shorted during delivery and 1951 is notified within 30 days from delivery date
 - » Incorrect product is received due to 1951 error
- Replacement orders do not require a new purchase order. 1951 Cabinetry may request the return of the original part or inspection by a representative.
- Orders for replacement parts must include the original order confirmation number and a detailed description of the problem.
- Photos of the problem may be requested.

No Return Policy:

- 1951 Cabinetry product is built to order and ships directly to our customers without the use of distribution centers or finished goods inventory warehouses. As a result of this special order process we do not accept customer returns.
- 1951 does not take responsibility for incorrect measurements, dimensions, or mis-ordered product.
- 1951 strongly advises to check each order confirmation to verify all products, sizes, and options being ordered.

Warranty

1951 Cabinetry® Limited Lifetime Warranty

The manufacturer of 1951 Cabinetry warrants to the original residential or commercial purchaser that all 1951 Cabinetry, cabinets, and accessories, are free from defects in materials and workmanship for the following durations, subject to the limitations set forth below:

Original residential purchaser: An "original residential purchaser" is defined as any person who purchases the cabinetry for personal use in his or her private residence. The duration of this limited warranty begins at the date of delivery to the residence and extends until such time as that residential purchaser no longer resides at the residence. "Residential purchaser" extends to any person who owns and resides in the residence where the cabinetry is installed, for whom the cabinetry is purchased by a contractor, remodeler or other person/entity, except in commercial applications defined below.

Original commercial purchaser: An "original commercial purchaser" is any person or entity, including but not limited to landlords, leasing companies, contractors, remodelers, and private or public businesses, who purchases the cabinetry for installation and use in any location that will be leased or used as a rental unit, or used for any other commercial or industrial application. The duration of this limited warranty is five years from the date of the product delivery to the location.

Proof of purchase is required. This limited warranty is expressly limited to repair or replacement of the cabinetry at the discretion of the manufacturer. This limited warranty does not include labor costs for removal, repairs, installation, or replacement.

This limited warranty does not cover defects, damage, or failure caused by improper handling, cleaning, installation, storage, assembly or disassembly, intentional damage, unauthorized product modifications and repairs, exposure to the elements including extreme humidity, moisture, or temperatures which may result in warping, splitting, or finish failure, accidental misuse, abuse, or negligence. Humidity levels in the home with cabinetry outside the range of 30-50% and temperature levels outside the range of 50-85°F are considered extreme.

Natural woods may vary in texture, color, and wood grain, and exhibit subtle changes as they age. For example, wood joints may develop visible cracking around the joint area and cabinet colors may darken or lighten over time.

Sunlight, smoke, moisture, household cleaners and other environmental conditions may cause materials to vary from their original color and/or to warp, split or crack. These variations are considered to be the nature of the material in relation to its environmental exposure and are not covered under this limited warranty.

THE MANUFACTURER OF 1951 CABINETRY MAKES NO OTHER WARRANTIES OTHER THAN THOSE SET FORTH HEREIN AND ALL OTHER WARRANTIES ARE HEREBY DISCLAIMED.

THE IMPLIED WARRANTIES OF MERCHANTABILITY AND FITNESS FOR A PARTICULAR PURPOSE ARE LIMITED IN DURATION TO THE LENGTH OF THE LIMITED WARRANTY PERIOD.

THE LIMITED WARRANTIES SET FORTH HEREIN ARE LIMITED TO THE FIRST AND ORIGINAL BUYER AND ARE NOT TRANSFERABLE THEREAFTER. PROOF OF PURCHASE IS REQUIRED TO DETERMINE ELIGIBILITY.

EXCEPT AS PROVIDED IN THIS LIMITED WARRANTY AND TO THE MAXIMUM EXTENT PERMITTED BY LAW, THE MANUFACTURER OF 1951 CABINETRY SHALL NOT BE LIABLE FOR INCIDENTAL, DIRECT, INDIRECT, CONSEQUENTIAL, OR SPECIAL DAMAGES TO THE PURCHASER OR TO ANY THIRD PARTY RESULTING FROM ANY BREACH OF WARRANTY OR CONDITION, OR UNDER ANY OTHER LEGAL THEORY, INCLUDING BUT NOT LIMITED TO: LOSS OF USE, LOST PROFITS, LOSS OF BUSINESS OPPORTUNITY, LOSS OF PROPERTY, OR OTHER ECONOMIC LOSSES. THE FOREGOING LIMITATION SHALL NOT APPLY TO PERSONAL INJURY CLAIMS OR ANY STATUTORY LIABILITY FOR INTENTIONAL AND GROSS NEGLIGENT ACTS AND/OR OMISSIONS.

Additional Exclusions, Limitations and Disclaimers

This limited warranty limits the coverage period for the following components that were not manufactured by American Woodmark:

Range hood blowers and components – one year from the date of delivery

SOME STATES DO NOT ALLOW THE EXCLUSION OR LIMITATION OF INCIDENTAL OR CONSEQUENTIAL DAMAGES, OR LIMITATIONS ON HOW LONG AN IMPLIED WARRANTY LASTS, SO THE ABOVE LIMITATIONS AND EXCLUSIONS MAY NOT APPLY TO YOU.

THIS WARRANTY GIVES YOU SPECIFIC LEGAL RIGHTS, AND YOU MAY ALSO HAVE OTHER RIGHTS, WHICH VARY FROM STATE TO STATE.

Claims

All claims under this limited warranty must be submitted to the manufacturer and must specify the defects present in the cabinets and accessories. Photos or samples of the product may be required to determine coverage.

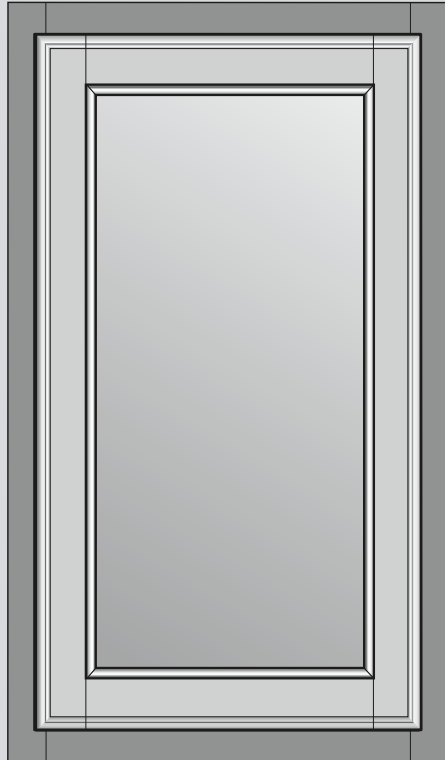
After the manufacturer has had an opportunity to inspect the cabinets and/or accessories, it will, at its discretion, ship at no cost to the customer, replacement cabinets and/or parts necessary for repair. Products may require chemical or function testing to determine resolution of a warranty claim. Replacement products are subject to availability and may differ from those originally supplied.

Submit all claims to 1951 Cabinetry at PO Box 1980, Winchester, VA 22604, partners@woodmark.com, OR 877-957-7278.

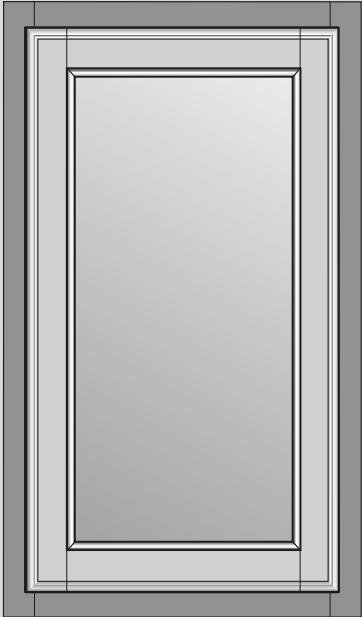
Continuous Improvement

In keeping with our policy of continuous product refinement, 1951 Cabinetry reserves the right to change specifications in design and materials as conditions require.

DOOR STYLE COLLECTIONS



Boerne



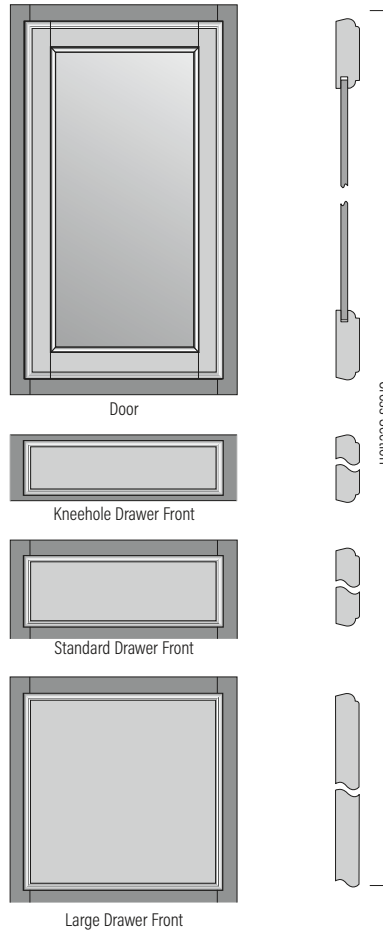
PAGE 10

Base Series Availability

SPECIES/FINISH AVAILABILITY BY COLLECTION

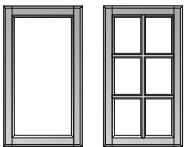
| | Boerne |
|----------------|--------|
| Finish: Rye | ■ |
| Truffle | ■ |

Boerne



Door Style Details

| | |
|-------------------------------------|---------------------------------|
| Door Description: | Recessed Panel |
| Door Rail & Stile Width: | 1 7/8" |
| Drawer Description: | Routed Slab |
| Overlay | Partial Overlay (POL) |
| Tall Door Details: | Center Rail on 50" High Doors ■ |
| Decorative Hardware: | Recommended |



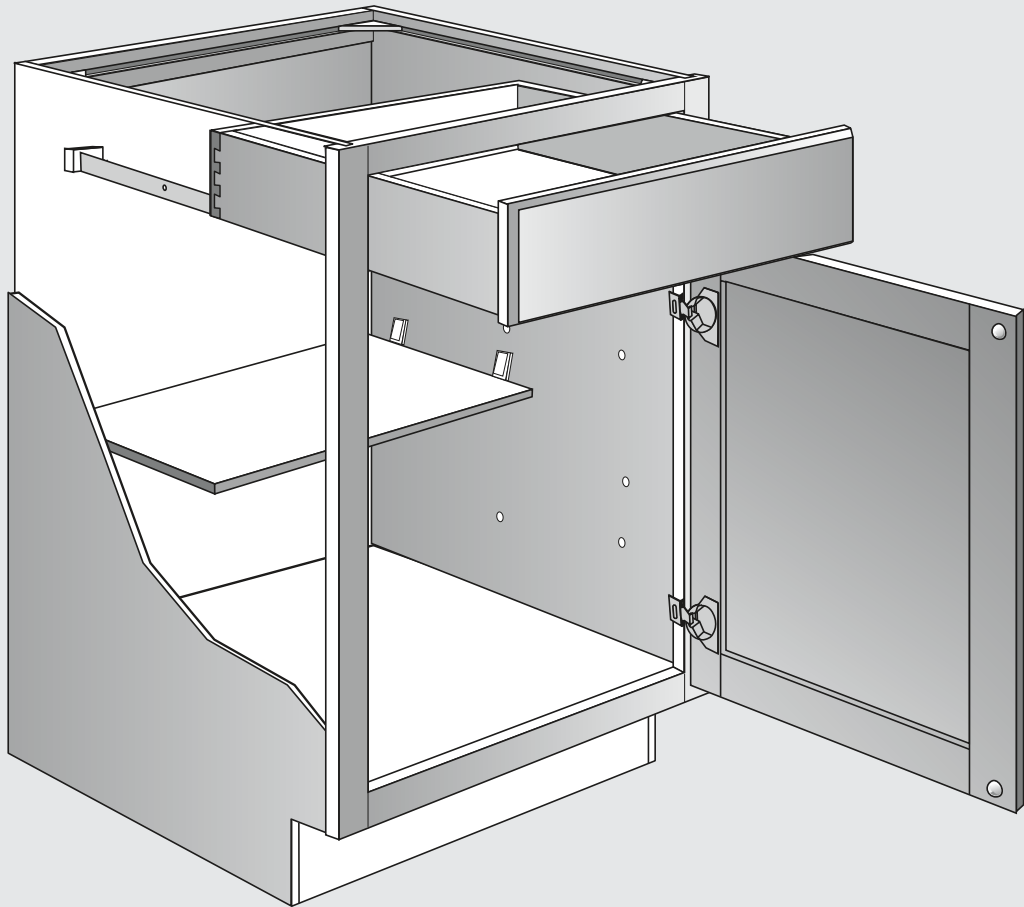
OFD

MFD

Available Finishes

| FINISH | BOERNE |
|---------|--------|
| Rye | P5T |
| Truffle | P5B |

STANDARD CABINET SPECIFICATIONS



KCMA Certified

All cabinetry manufactured by 1951 Cabinetry is certified by the Kitchen Cabinet Manufacturers Association (KCMA).

KCMA sets the American National Standards Institute/ KCMA 161.1- 2000 uniform performance and construction standards for kitchen and vanity cabinets. The program is referenced by U.S. government agencies, architects, builders, remodelers, and other specifiers.

Cabinets that bear the KCMA seal of certification are recognized as a quality product with the ability to perform after a rigorous battery of tests, simulating years of typical household use. Tests are performed by approved third-party independent laboratories.

1951 Cabinetry is proud to display the KCMA seal of certification for cabinet construction.



Environmentally Responsible Stewardship

As a leading U.S. manufacturer of fine cabinetry, 1951 Cabinetry, a division of American Woodmark Corporation, is committed to conducting business in a manner that both protects the environment and safeguards public health and safety. To achieve this end, the company proactively identifies potential environmental risks and monitors compliance with appropriate federal, state, local, and internal standards.

1951 Cabinetry has received certification by the Kitchen Cabinet Manufacturers Association (KCMA) Environmental Stewardship Program on all products. The certification was awarded based on compliance across a broad range of activity including air quality, product resource management, process resource management, environmental stewardship, and community relations.

1951 Cabinetry works with all suppliers to encourage sustainable forestry practices. Particle board and plywood are purchased from suppliers that meet the Composite Panel Association requirements for Environmentally Preferable Products including formaldehyde emissions that comply with ANSI standards.

1951 Cabinetry uses leading edge technologies to limit both hazardous and non-hazardous emissions, byproducts, and waste. Ongoing, formal programs identify opportunities for recycling and reusing materials. When waste ultimately requires disposal, steps are taken to minimize the environmental impact.

The American Woodmark Foundation supports local programs serving the community, including activities focused on maintaining the quality of life.

1951 Cabinetry is dedicated to doing our part in the preservation and sustainability of the environment.



KITCHEN CABINET MANUFACTURERS ASSOCIATION
ENVIRONMENTAL STEWARDSHIP PROGRAM (ESPP)
ALL PRODUCTS SUPPORT THE ENVIRONMENT
FOR ESP PROGRAM CERTIFIED, VISIT KCMA.ORG

Continuous Improvement

In keeping with our policy of continuous product refinement, 1951 Cabinetry reserves the right to change specifications in design and materials as conditions require.

Standard Cabinet Specifications

Cabinet Front Face Frames

Cabinet front face frames are made from $\frac{3}{4}$ " x $1\frac{5}{8}$ " kiln-dried solid wood and/or engineered materials to prevent warping and provide superior strength, durability and finished appearance. Face frame joints are precision fixtured, pressure fitted and mechanically fastened.

Cabinet Side Panels

Cabinet side panels are $\frac{1}{2}$ " thick engineered wood. The exterior sides match cabinet finish and interior sides are finished with a natural woodgrain look. They are captured into a grooved front face frame and secured using high-strength fasteners and glue.

Cabinet Tops, Bottoms, and Floors

Tops, bottoms, and floors are $\frac{1}{2}$ " thick engineered wood. The exterior and interiors are finished with a natural woodgrain look. They are fitted and glued into the cabinet front face frame grooves, then captured in the grooves of the cabinet side panels.

Cabinet Back

The cabinet back is made from $\frac{1}{8}$ " thick hardboard substrate. The inside cabinet surface is finished with a natural woodgrain look.

Hanging Rails

The base and vanity top hanging rail is $\frac{3}{4}$ " thick solid wood, mortise and tenon joined, and glued to the cabinet side panels. The wall cabinet hanging rails are $\frac{1}{2}$ " thick engineered wood, glued and pinned into the cabinet back, cabinet side panels and top/bottom.

Cabinet Shelves

All cabinet shelves are $\frac{3}{4}$ " thick engineered wood. The shelves are finished with a natural woodgrain look and are edge banded on one side. Wall (excluding 24" deep) and Desk cabinets feature full-depth shelves. Base and 24" Deep Wall cabinet feature half-depth shelves. All shelves are adjustable and meet KCMA load standards of 15 pounds per square foot. Full-Depth Shelf Option is available for Base cabinets.

Corner Blocks

Corner blocks are attached to help ensure cabinet squareness and allow for proper countertop installation.

Drawer Systems

Engineered wood drawers with printed MDF bottoms and side-mounted drawer glides. All drawers meet KCMA load standards of 15 pounds per square foot.

Sliding Shelves

Sliding shelves feature printed MDF bottoms and side-mounted drawer glides. All drawers meet KCMA load standards of 15 pounds per square foot.

Hinges

Fully concealed, self-closing hidden hinges are standard for all door styles.

Inset Toe Kick

Inset toe kicks are constructed of $\frac{1}{2}$ " thick unfinished engineered wood. Standard toe kick dimensions are 4" high and recessed $3\frac{1}{2}$ ".

BTK8 (matching toe kick) required for installation.

Finishing Systems and Cabinet Care

Finishing Systems

The finishing systems used on our products are designed to ensure the beauty and durability of our cabinetry. State-of-the-art equipment allows precise sanding, filling, and finish coverage of each of our products. Our products are extremely resistant to stains and surface damage that can be caused by common household chemicals. Our products exceed KCMA and ANSI standards for resistance to stains like coffee, grape juice, and moisture.

Cabinet Care

Remove dust from cabinets frequently with a soft lint-free cloth. The cloth may be slightly dampened with water. Do not use a paste wax type material. Wax build-up is difficult to remove and will leave a residue that attracts dust and moisture. Polishes containing silicon should not be used. Clean spills immediately. Use a clean cloth and mild soap if necessary. Wipe dry with a clean soft cloth. Do not use detergents, citrus cleaners or ammonia-based cleaners, chlorine-based cleaners, steel wool, soap pads, or abrasive cleaners on cabinets.

Extra care should be taken that cabinet finishes are not exposed to heat in excess of 200° Fahrenheit. Do not place or mount small appliances beneath wall cabinets. These appliances (such as coffee makers and toasters) can produce excessive heat, which can damage the finish of cabinets. Do not expose doors or drawer fronts to heat created from self-cleaning ovens or ranges. For more cabinet care information, please visit www.1951cabinetry.com/about/resource-center.

Allow Cabinets To Age Beautifully

Our cabinets showcase the careful selection of natural and engineered materials to achieve the best possible look. While every effort is made to match wood grain as closely as possible, no two pieces of wood are exactly alike, even from the same tree. These differences in natural color and grain mean that each piece will respond differently to the finishing materials used. For example, close-grained woods absorb less and will vary in color from more open-grained pieces from the very same tree. It's these variations that contribute to the beauty and distinction of quality wood products. However, exposure to sunlight, smoke, and chemicals may cause some materials to fade or vary from their original color over time.

Cabinets, doors, drawer fronts, and accessories added at a later date may not exactly match cabinets installed now. For the same reasons, door samples or displays may not represent the exact color of cabinets received at the time of shipment. Consumers should also read all cleaning agent instructions carefully before application.

Due to changes that occur from natural and environmental factors a cabinet is exposed to over its lifetime, we cannot be responsible for variations that occur in the finish of natural and engineered materials as they age.

Door Species & Characteristics

1951 Cabinetry incorporates solid hardwoods and hardwood veneers. These are natural materials with inherent variations. As such, our quality standards establish tolerance ranges for matching the hardwood pieces. Consumers should review actual samples in our selection centers and cabinet displays to help them establish realistic expectations of variations involving wood grain, color tones, presence of knots, and so forth.

These variations are at the heart of the unique natural beauty of finished hardwood. In addition, exposure of wood products to sunlight, some chemical agents, and smoke can cause wood colors to change over time.

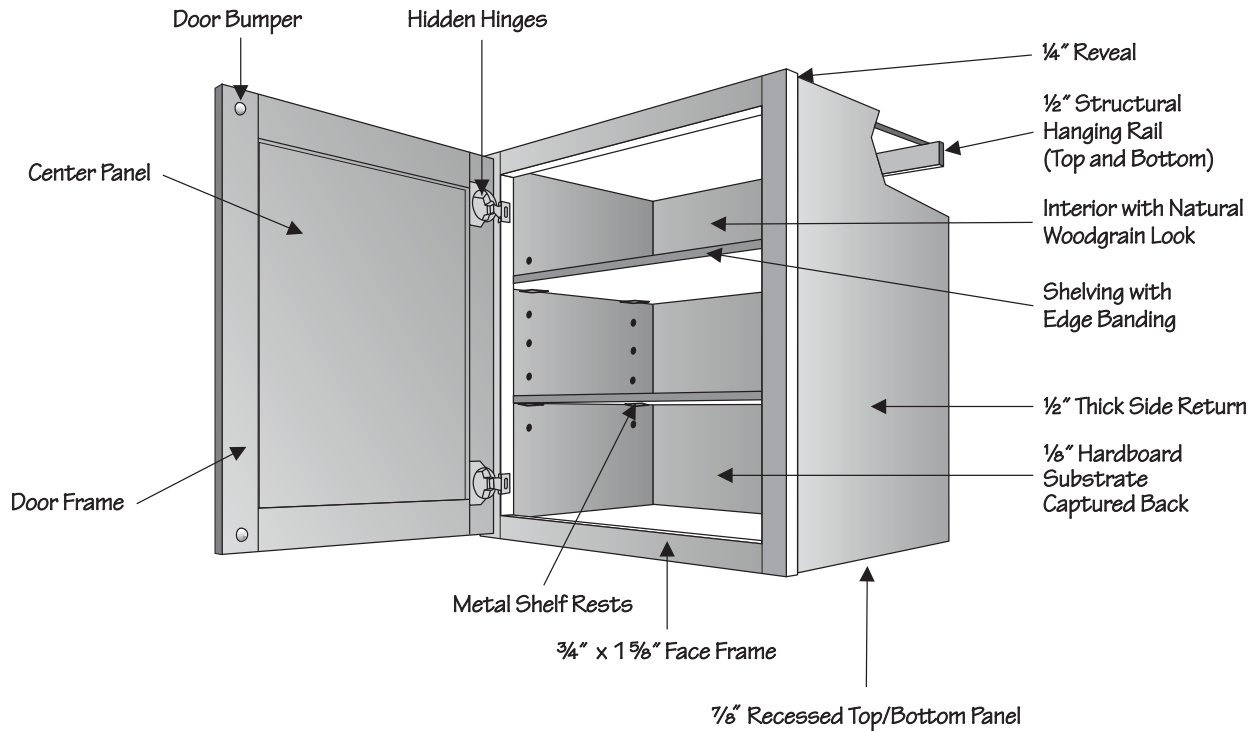
Hardwoods

Hardwoods have a dense structure and come from broad leaved deciduous trees such as maple, oak, birch, cherry, hickory, poplar, or ash species. We use a combination of these to achieve a great looking and highly durable product. Natural features include:

- Light blonde to dark reddish brown tones
- Small black and reddish brown mineral streaks or deposits that darken with stain
- Wavy, curly bird's-eye, or burl graining as well as worm tracking across the grain that will darken when stained
- Variations within a single door

Wall Cabinet Construction

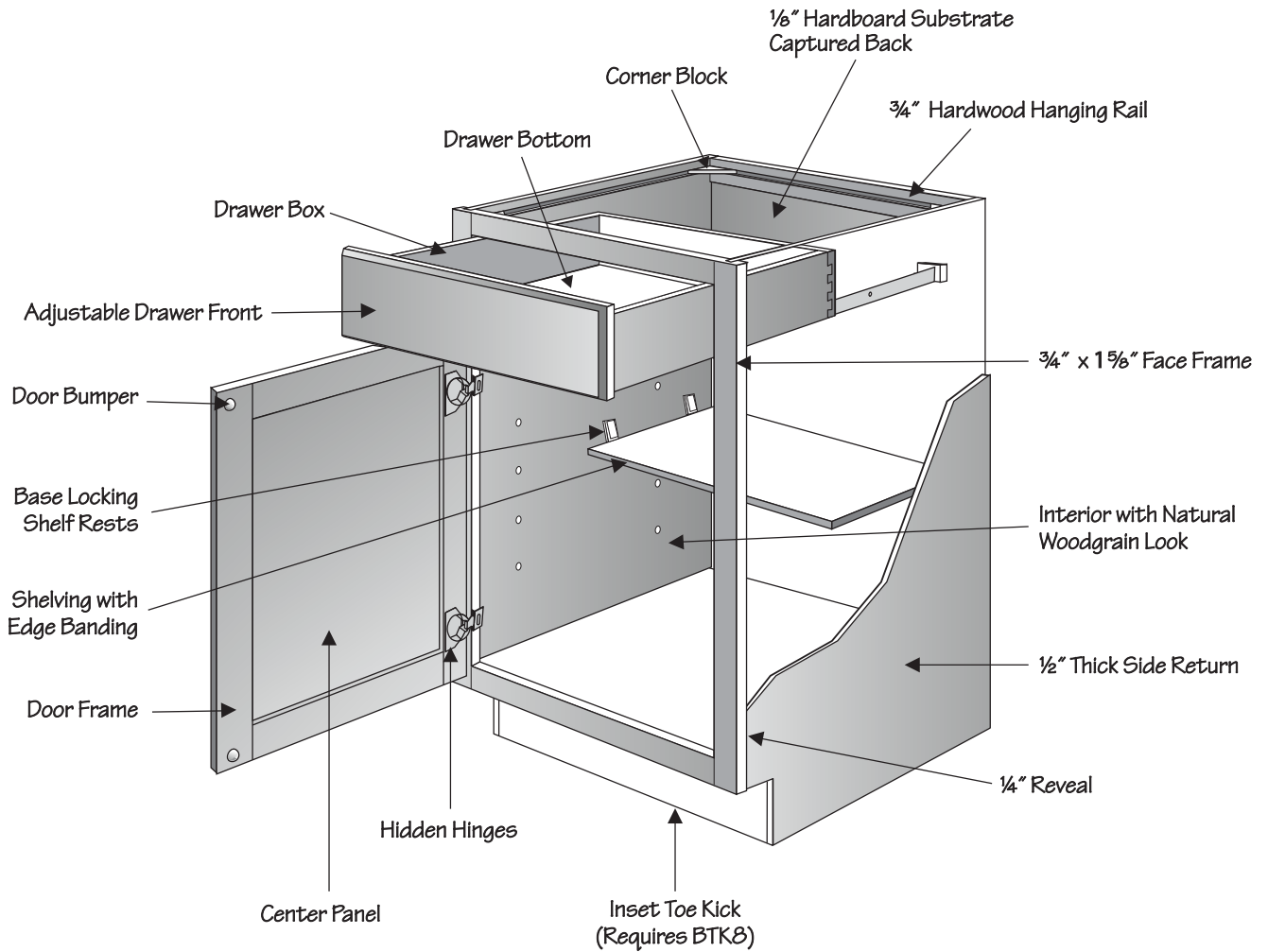
The drawing below illustrates and identifies the parts of a standard wall cabinet.



NOTE: Single door wall cabinets must be ordered hinged left or right and can be reversed in the field.

Base Cabinet Construction

The drawing below illustrates and identifies the parts of a standard base cabinet.

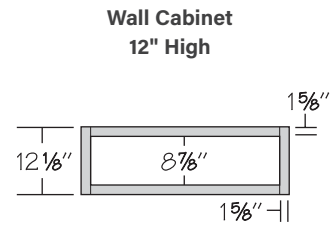
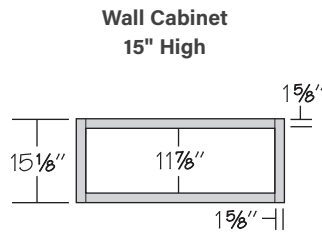
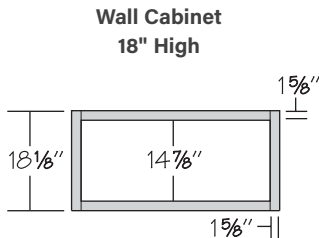
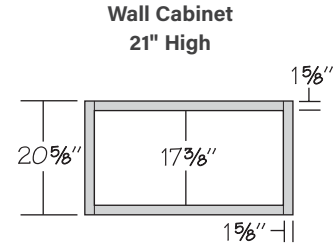
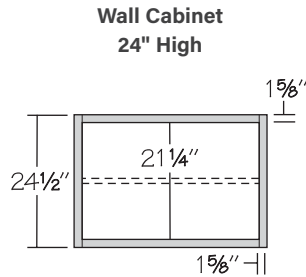
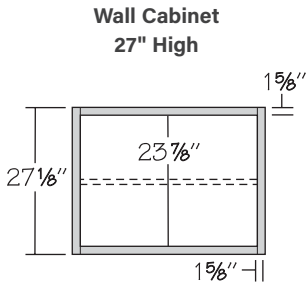
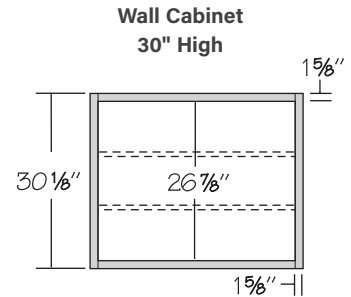
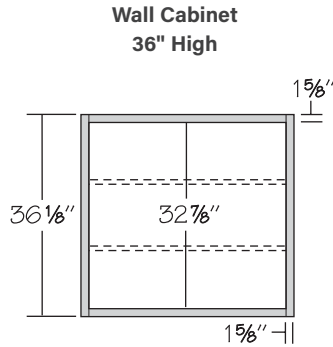
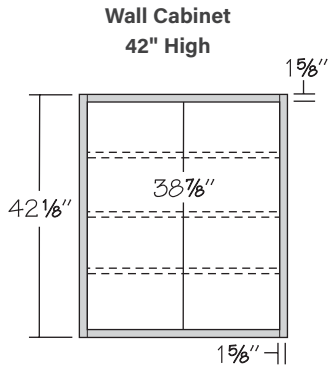


NOTE: Single door base cabinets are hinged left and can be reversed in the field.

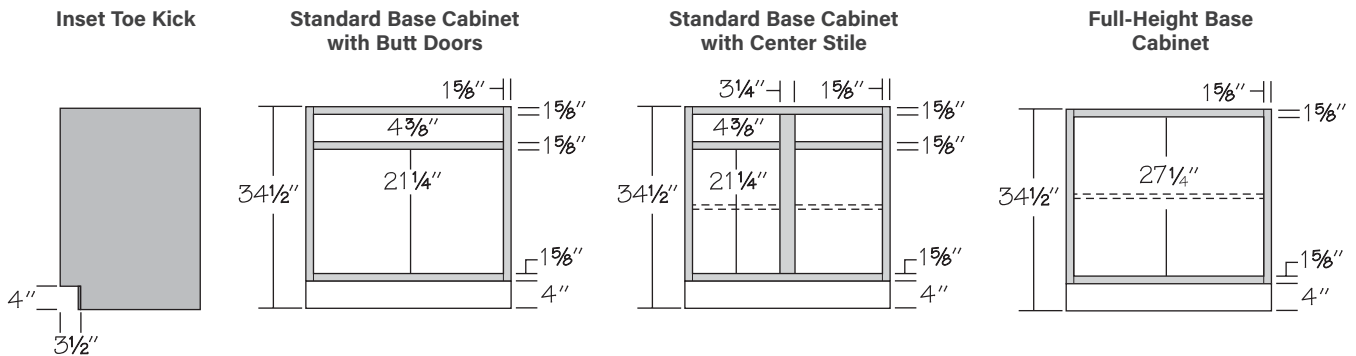
Cabinet Dimensions

These illustrations specify dimensions of vertical stiles and horizontal rails, inset toe kick, cabinet heights, and standard interior opening heights. Wall Top Hinge and all Butt door cabinets do not have a center stile. Wall cabinets 39" or wider will feature a 3 1/4" center stile.

Wall Cabinets

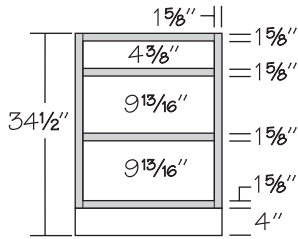


Base Cabinets

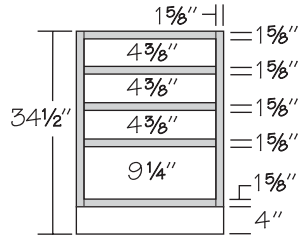


Drawer Base Cabinets

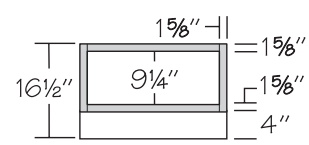
3-Drawer Base Cabinet



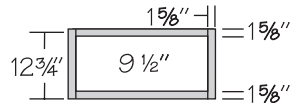
4-Drawer Base Cabinet



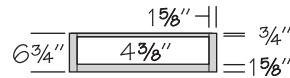
Pedestal Drawer Cabinet



12" High Furniture Drawer Cabinet

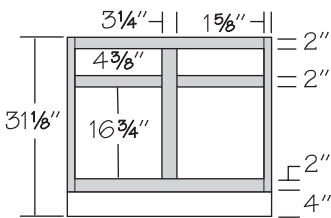


6" High Furniture Drawer Cabinet

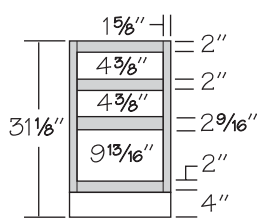


Vanity Cabinets

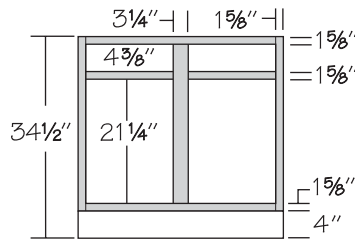
Vanity Base Cabinet Standard Height



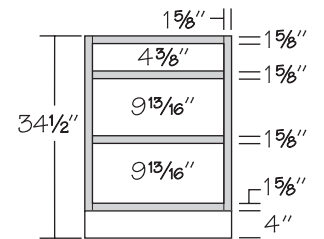
Vanity Drawer Base Standard Height



Vanity Base Cabinet Base Height

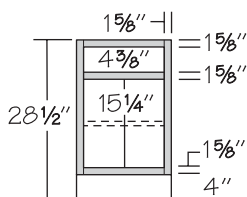


Vanity Drawer Base Base Height

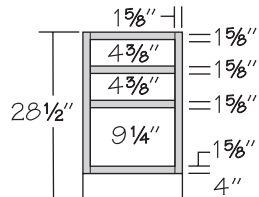


Desk Cabinets

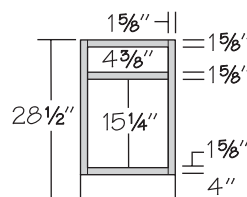
Desk Base Cabinet



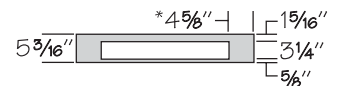
Desk Drawer Cabinet



Desk File Pull-Out



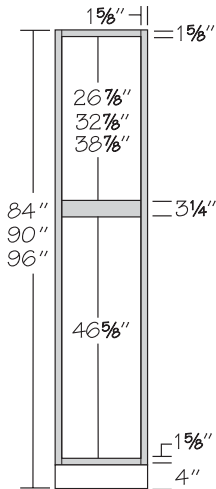
Kneehole Drawer*



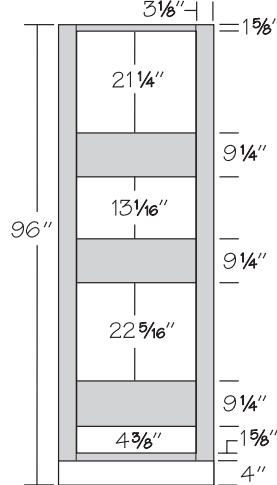
Trimmable in height to 4 3/4"
*Dimension for KDC36/33 is 3 1/8"

Tall Cabinets

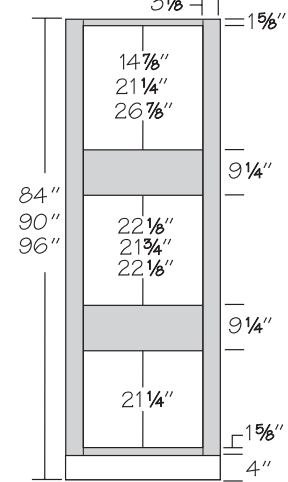
Vanity Linen & Utility Cabinets



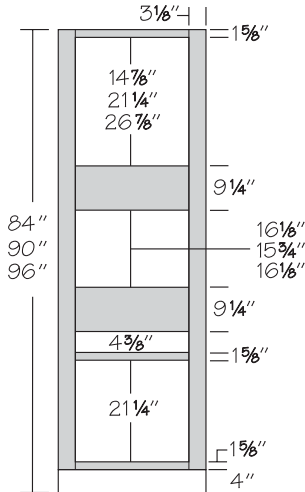
Oven Microwave Cabinet*



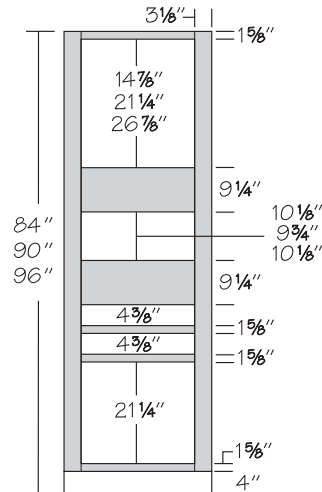
Single Oven Cabinet
4 Butt Doors*



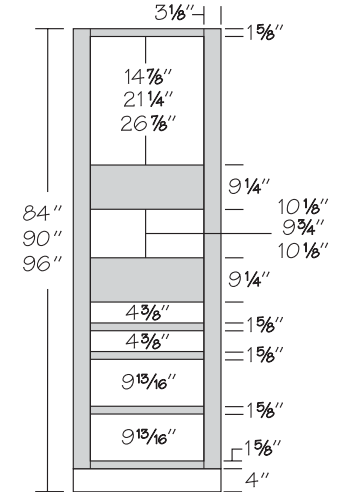
Single Oven Cabinet
4 Butt Doors, 1 Drawer*



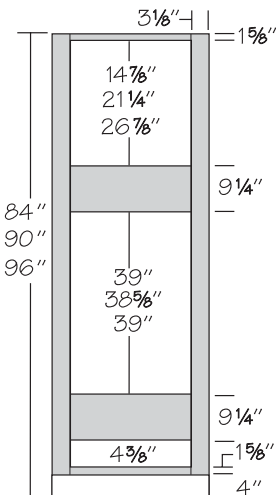
Single Oven Cabinet
4 Butt Doors, 2 Drawers*



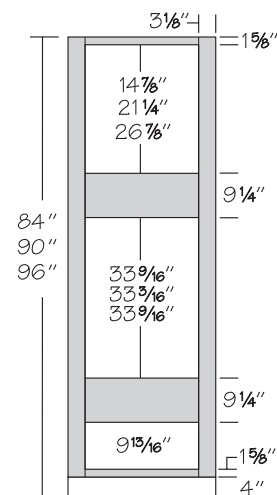
Single Oven Cabinet
2 Butt Doors, 4 Drawers*



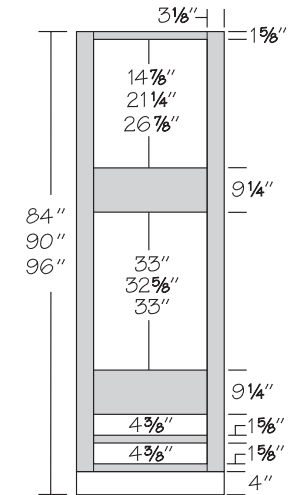
Double Oven Cabinet
1 Drawer*



Double Oven Cabinet
1 Large Drawer*

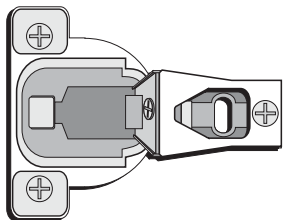


Double Oven Cabinet
2 Drawers*



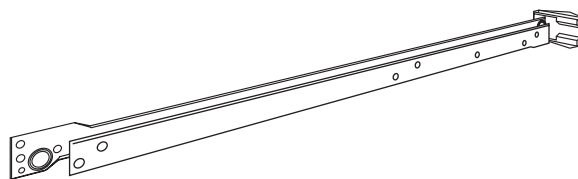
*Actual height of oven opening shown. For actual width, maximum width and maximum height dimensions, please refer to Cut Out Dimensions Chart in specific cabinet SKU box.

6-Way Adjustable Partial Overlay Door Hinge



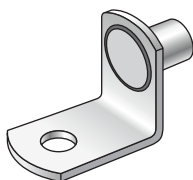
All steel construction with nickel-plated finish, Partial Overlay hinge with self-closing feature that allows door to close unassisted when approximately 20-30 degrees open. Hinges permit doors to open to approximately 105 degrees. Six-way adjustability allows in/out, up/down, and side-to-side adjustments. Exceeds industry standard for durability. Standard feature on all Partial Overlay (POL) door styles. Hinge restrictors are available to order separately to limit doors to opening more than 86 degrees.

Side-Mounted Drawer Glides



This glide system features twin self-aligning side-mounted drawer glides. They are constructed of epoxy coated steel for quiet opening and closing. Rollers are made of Delrin for smooth operation. The side-mounted glides are a standard feature on all cabinet drawers and on all sliding shelves.

Metal Shelf Rest



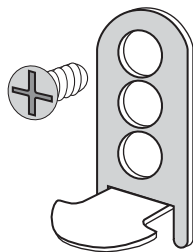
1/4" steel, nickel plated. Standard feature on all wall cabinets, bookshelves and Open Frame Door cabinets.

Base Locking Shelf Rest



Locks shelves in place and prevents shelves from sliding. Designed to allow easy shelf removal. Molded from clear high-strength polycarbonate. Standard feature on all base and tall cabinets.

Mullion Shelf Rest

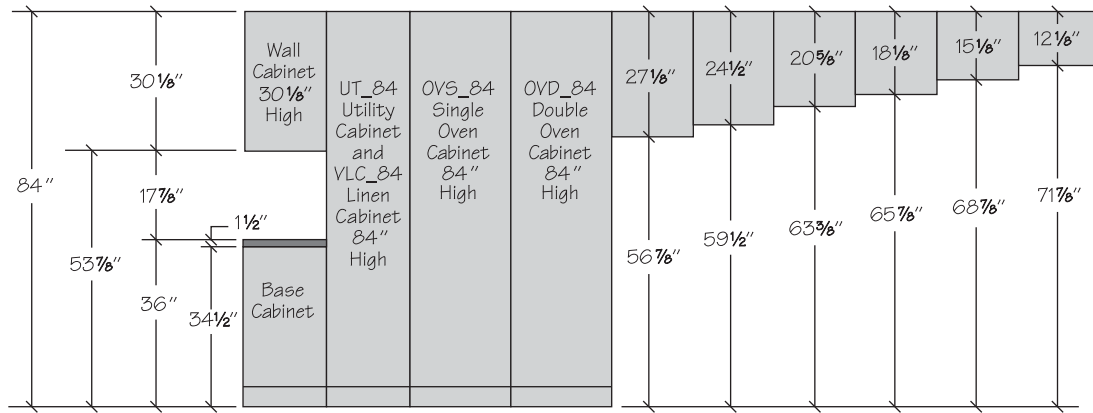


Allows for superior alignment of shelf with mullion. Metal construction. Six position adjustable. Standard feature on Mullion Frame Door cabinets.

Installation Height Guidelines

These illustrations specify dimensions of the height guidelines for top alignment of wall and tall cabinets (linen, utility, and oven) installation.

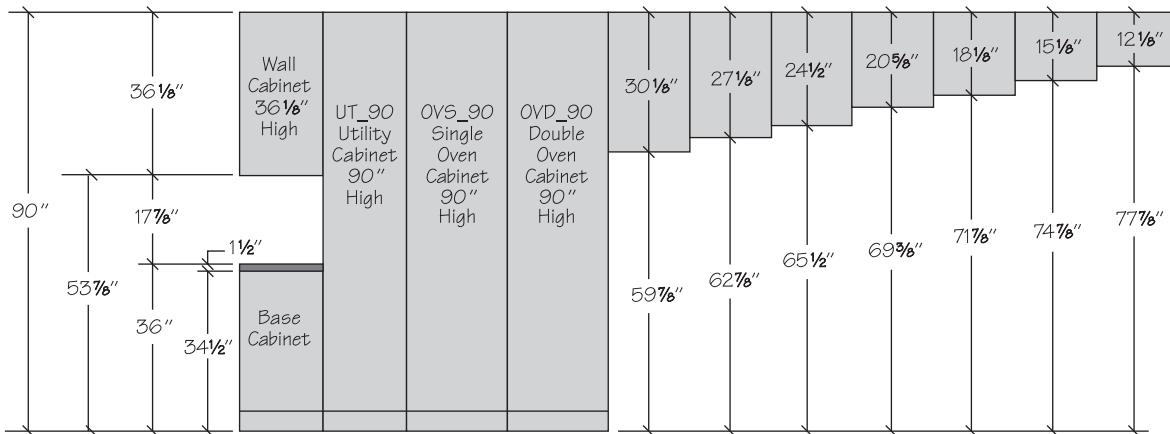
84" Top Alignment Cabinet Installation



Notes:

- 84" top alignment cabinet installation includes wall cabinets (30 1/8" high) installed 53 7/8" above the finished floor, allowing 17 7/8" clearance between the wall cabinets and a standard countertop height of 36"
- Tall cabinetry (linen, utility, and oven) is 84" high
- **When selecting cabinetry for installation above or near any appliance, refer to the appliance manufacturer's specifications for clearance and venting requirements**

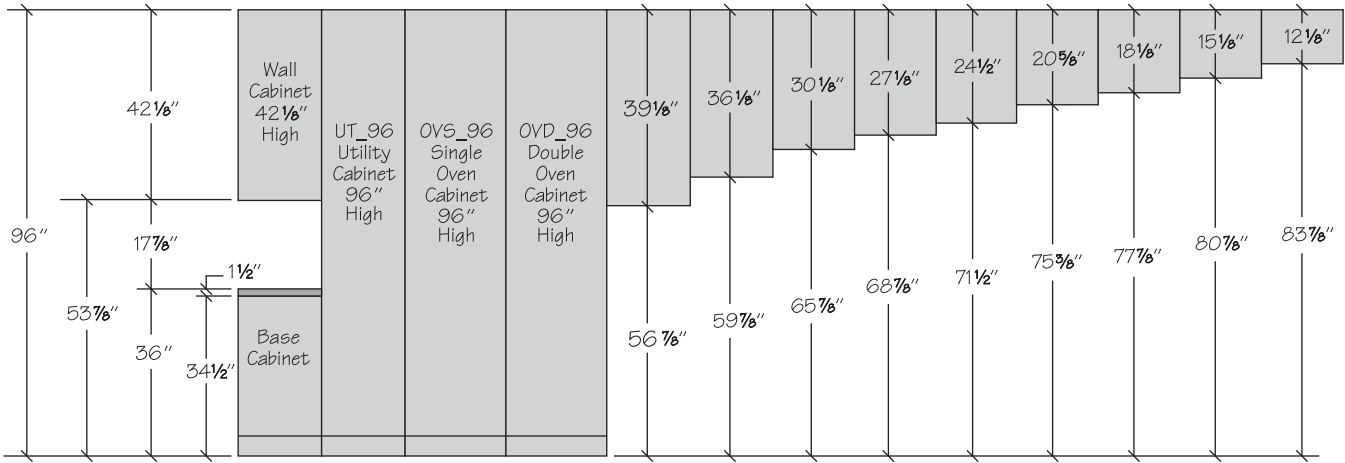
90" Top Alignment Cabinet Installation



Notes:

- 90" top alignment cabinet installation includes wall cabinets (36 1/8" high) installed 53 7/8" above the finished floor, allowing 17 7/8" clearance between the wall cabinets and a standard countertop height of 36"
- Tall cabinetry (utility and oven) is 90" high
- **When selecting cabinetry for installation above or near any appliance, refer to the appliance manufacturer's specifications for clearance and venting requirements**

96" Top Alignment Cabinet Installation



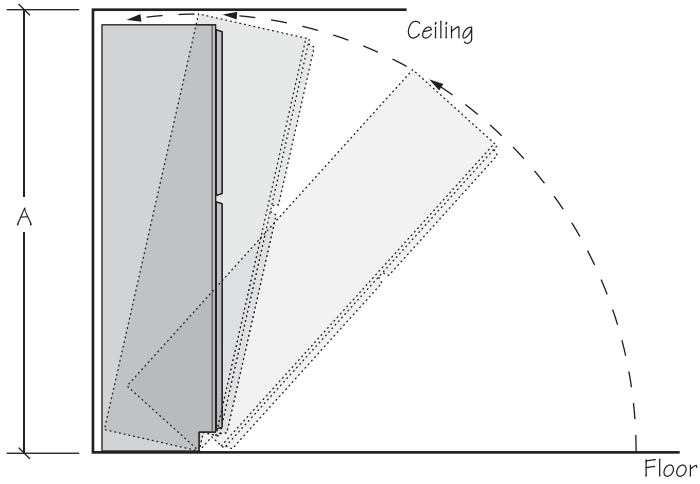
Notes:

- 96" top alignment cabinet installation includes wall cabinets (42 1/8" high) installed 53 7/8" above the finished floor, allowing 17 7/8" clearance between the wall cabinets and a standard countertop height of 36"
- Tall cabinetry (utility and oven) is 96" high
- **When selecting cabinetry for installation above or near any appliance, refer to the appliance manufacturer's specifications for clearance and venting requirements**

Ceiling Height Requirements

This illustration specifies the ceiling height requirements for tall cabinets (linen, utility, and oven).

Requirements for Tall Cabinets



| Height | Cabinet Depth | Minimum Ceiling Height A |
|--------|----------------------------------|------------------------------------|
| 84" | 12" | 84 ⁹ / ₁₆ " |
| 84" | 18" | 85 ¹ / ₄ " |
| 84" | 20 ³ / ₄ " | 85 ¹³ / ₁₆ " |
| 84" | 24" | 86 ¹ / ₂ " |
| 90" | 12" | 90 ¹ / ₂ " |
| 90" | 18" | 91 ⁵ / ₁₆ " |
| 90" | 24" | 92 ⁵ / ₁₆ " |
| 96" | 12" | 96" |
| 96" | 18" | 96" |
| 96" | 24" | 96" |

Notes:

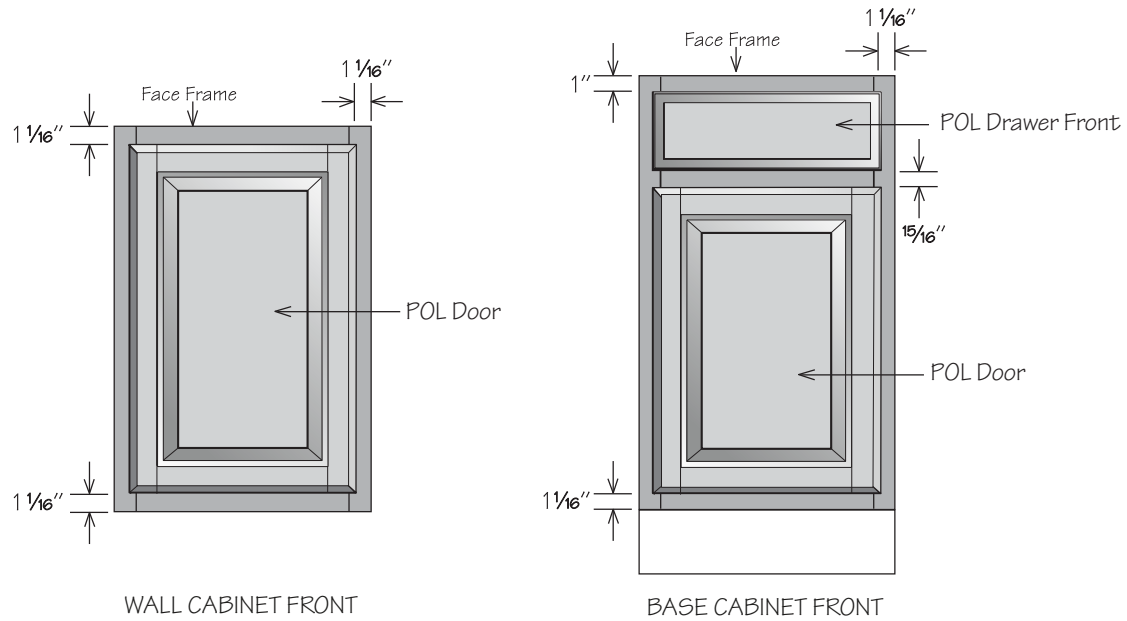
- 93" and 96" high tall cabinets have 4" toe kick assembly shipped inside the cabinet

Overlay Dimensions

The drawings shown below illustrate the relationship between the cabinet face frame and Partial Overlay (POL). They show the amount of the cabinet face frame that is visible when Partial Overlay doors are used.

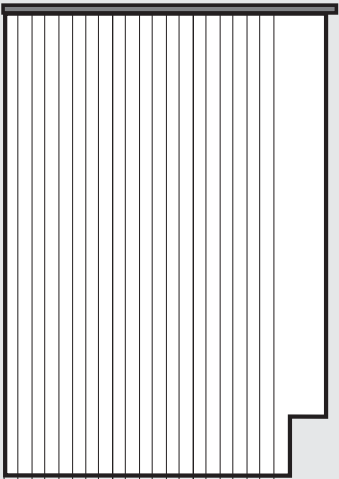
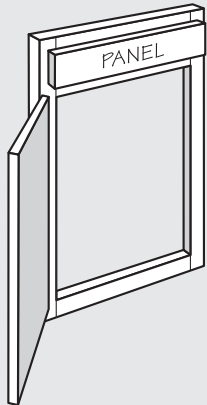
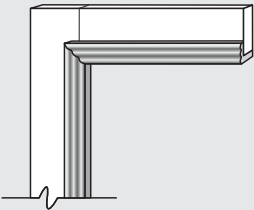
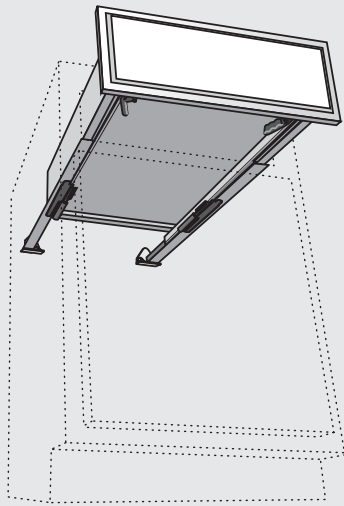
Partial Overlay

Partial overlay (POL) doors are sized to show about an inch of the cabinet face frame, giving the door some visual depth. Some door styles do not require decorative hardware.



Notes

CONSTRUCTION OPTIONS



23 21 19 17 15 13 11 9 7 5
24" 22 20 18 16 14 12 10 8 6 4"

Construction Options Legend & Upcharges

Icons used in this guide are shown below and indicate which construction options are available for a particular product.

| CONSTRUCTION OPTION CODE | PRICING | |
|---|----------------------|--|
| CFO Cabinet Front Only Option | No Charge | |
| FDS Full Depth Shelf Option | \$39 Over List Price | |
| ID Increased Depth Option | 20% Over List Price | |
| IF Inverted Frame Option | 20% Over List Price | |
| MI Matching Interior Option | 20% Over List Price | |
| RTK Recessed Toe Kick Option | 10% Over List Price | |
| RD Reduced Depth Option | 20% Over List Price | |
| VDO Void Door Option - NO Molding | No Charge | |
| VDM Void Door Option - WITH Molding | 10% Over List Price | |
| VTD Void Top Drawer Option | 10% Over List Price | |
| VTK Void Toe Kick Option NEW! OPTION | 10% Over List Price | |

| SPECIALTY DOOR OPTION CODE | LIST PRICE PER DOOR | |
|-------------------------------|---------------------|---------------|
| | 12"- 30" HIGH | 36"- 42" HIGH |
| OFD Open Frame Door | \$0 | \$0 |
| MFD Mullion Frame Door | \$47 | \$144 |

| GLASS OPTION CODE | LIST PRICE PER DOOR | |
|--|---------------------|---------------|
| | 12"- 30" HIGH | 36"- 42" HIGH |
| PREPPED Prepped for Glass | \$0 | \$0 |
| DGI-__ CLEAR Clear Glass | \$144 | \$175 |
| DGI-__ DERBYSHIRE Derbyshire Seeded Glass | \$433 | \$524 |
| DGI-__ FROSTED ASH Frosted Ash Glass | \$433 | \$524 |
| DGI-__ FROSTED Frosted Glass | \$433 | \$524 |
| DGI-__ IMPRESSION Impression Glass | \$433 | \$524 |
| DGI-__ MEREDITH Meredith Glass | \$433 | \$524 |
| DGI-__ RIBBED Ribbed Glass | \$433 | \$524 |

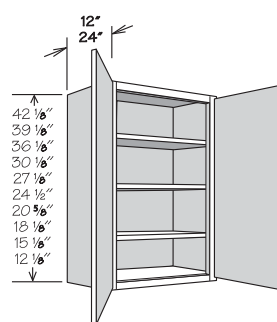
Construction Options Restrictions

When a square ■ or diamond ◆ symbol is used in an option box, it indicates that the construction option is ONLY available for SKUs listed with that symbol. All options without a symbol are available for all SKUs.

Example:

In this example, the ◆ diamond indicates that only W3015 BUTT and W3015 BUTT SD are available with Increased Depth (ID), while the ■ square indicates that only the non-SD cabinets are available with Matching Interior (MI) and Void Door (VDO) options.

Wall Cabinets • 2 Butt Doors



| |
|-------|
| APC |
| CCH |
| CFO |
| FE |
| ID ◆ |
| MI ■ |
| PE |
| RD |
| VDO ■ |

12" DEEP

W3015 BUTT ■ ◆
W3015 BUTT SD ◆

24" DEEP

W3015 X 24DP BUTT ■
W3015 X 24DP BUTT SD

Reduced Depth Option

RD

The Reduced Depth Option should be used when ordering less than standard depth cabinets. The Reduced Depth Option is available in 1" increments; minimum depth is 4". Vanity and desk cabinets will reduce to standard reduced depth increments (e.g. vanity cabinets with RD-20 will measure 20" in depth).

Orders specifying Reduced Depth Option must show the total cabinet depth.

Example: Cabinet: B24
Option: RD-17 (reduced to 17" deep)

Notes:

- There is a potential tipping hazard for reduced depth cabinets until they are mounted to a wall
- Peninsula Base cabinets reduced to 11" or less will not have an inset toe kick
- Full-depth shelves are reduced in 1" increments to match Reduced Depth Option selected on cabinet(s)
- Half-depth shelves are reduced in 1" increments for cabinets reduced to 11" or less
- Adding the Reduced Depth Option does not remove adjustable shelves (where applicable)
- May be combined with all construction options excluding Increased Depth, Cabinet Front Only or Recessed Toe Kick when cabinets are reduced to 8" or less
- All cabinets reduced to 5" or less will not have an inset toe kick
- Reduced depth restrictions:
 - » Cabinets with factory installed sliding shelves are only available with RD-23 through RD-12
 - » 24" Deep Wall Top Hinge cabinets are only available with RD-23 through RD-8
 - » 12" Deep Wall Top Hinge cabinets are only available with RD-11 through RD-8
 - » Base End Angle (BEA12FH) cabinets are only available with RD-23 through RD-18
 - » Kneehole Drawer cabinets are only available with RD-20 through RD-12
 - » Two-Drawer Base cabinets are only available with RD-23 through RD-21
 - » 24" Deep Furniture Drawer cabinets are only available with RD-23 through RD-13
- When ordering reduced depth accessories, specify the depth of the cabinet for which the accessory is intended (e.g., SK3624 RD-21 would be ordered for a UT3624 X 84 RD-21)

| OPTION CODE | ACTUAL DIMENSION | |
|---------------|-----------------------------|---------------------|
| Reduced Depth | Drawer Depth (Side-Mounted) | Sliding Shelf Depth |
| RD-23 | 18" | 18" |
| RD-22 | 18" | 18" |
| RD-21 | 18" | 16" |
| RD-20 | 15" | 16" |
| RD-19 | 15" | 16" |
| RD-18 | 15" | 15" |
| RD-17 | 12" | 14" |
| RD-16 | 12" | 13" |
| RD-15 | 12" | 12" |
| RD-14 | 9" | 11" |
| RD-13 | 9" | 10" |
| RD-12 | 9" | 9" |
| RD-11 to RD-6 | No Drawer | Not Available |
| RD-5 or RD-4 | No Drawer | Not Available |

Increased Depth Option

ID

The Increased Depth Option is available for most Wall cabinets up to 36" wide and all Bookshelves. The Increased Depth Option is available in 1" increments; maximum depth is 24".

Orders specifying Increased Depth Option must show the total cabinet depth.

Example: Cabinet: W1530

Option: ID-14 (increased to 14" deep)

Notes:

- May be combined with all construction options excluding Reduced Depth and Cabinet Front Only Option
- Adjustable shelves are increased in 1" increments to match Increased Depth Option selected on cabinet(s)
- Wall cabinets and bookshelves increased up to and including 18" deep can be mounted using standard installation procedures
- Wall cabinets and bookshelves increased to 19" deep and over must be stacked, floor mounted, or installed over a refrigerator
- All increased depth cabinets must be securely attached in one of the following combinations: to studs in back wall and both sides OR to studs in back wall, one side and top (e.g. two adjacent cabinets or one adjacent cabinet and a wall)

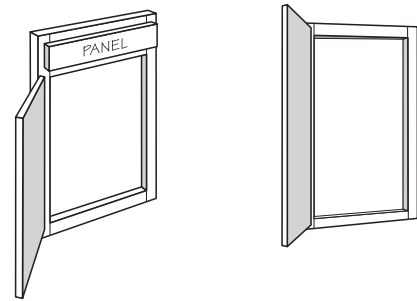
Cabinet Front Only Option

CFO

The Cabinet Front Only Option is available for most cabinets with a frame.

Notes:

- Cannot be combined with any construction option
- This option consists of the cabinet frame, door(s), drawer front(s), and hinges
- Toe kicks are not included
- This option is only available for cabinets without accessories



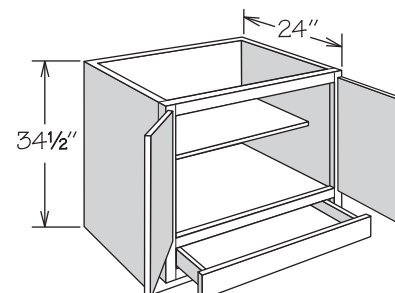
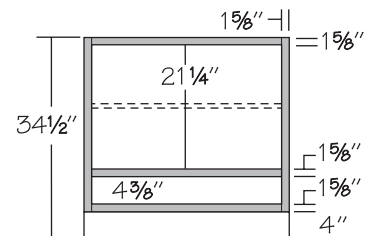
Inverted Frame Option

IF

The Inverted Frame Option is available for most standard base cabinets and base cabinets with accessories.

Notes:

- May be combined with all construction options excluding Cabinet Front Only and Void Top Drawer Option
- Drawer(s) below full cabinet floor
- Adjustable shelf is included
- Back is not predrilled for Sliding Shelves (SSK's)



Void Toe Kick Option

NEW!

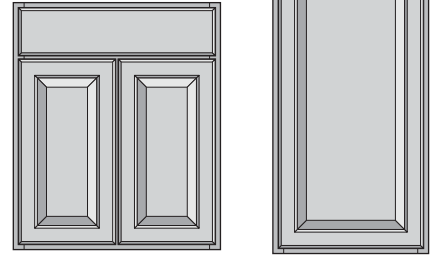
OPTION

VTK

The Void Toe Kick Option is available for most Base, Desk, Vanity, and Tall cabinets that feature a toe kick (excludes 93" and 96" high tall cabinets that ship toe kick assembly separately).

Notes:

- This option removes the toe kick
- May be combined with all construction options excluding Accessible Height, Recessed Toe Kick or Cabinet Front Only Option
- Any cabinet part above toe kick (face frames, doors, internal cabinet accessories, etc.) will not be altered by this modification



CONSTRUCTION OPTIONS

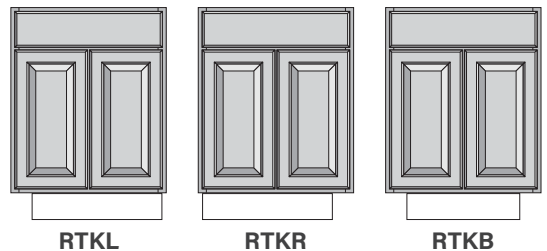
Recessed Toe Kick Option

RTK

The Recessed Toe Kick Option is available on most Base, Desk and Vanity base cabinetry. When the Recessed Toe Kick Option is selected, left, right or both must be specified.

Notes:

- May be combined with all construction options excluding Accessible Height Option, Cabinet Front Only and the Reduced Depth Option when cabinets are reduced to 8" or less
- Recommended for cabinets at the end of a run, especially in island and peninsula designs
- Recessed side(s) are constructed of 1/2" thick unfinished plywood and are recessed 3 1/2" to match front of cabinet
- Recessed Toe Kick box is not flush on non-recessed side and back
- Blind Corner Base cabinets are only available with the Recessed Toe Kick Both (RTKB) Option
- Base End Angle (BEA_FH), Base Pantry Pull Out (BPP9), Base Pantry Pull Out Utensil Storage (BPPUS9), Base Tray Divider Pull Out (BTDP9), Tray Base cabinets (TB9_) are not available with the Recessed Toe Kick Both Option (RTKB)
- Not available for Peninsula Base cabinets with the Reduced Depth Option of RD-11 and lower
- For Peninsula Base cabinets, the working drawer side indicates the front of the cabinet in order to correctly select Recessed Toe Kick Right (RTKR) or Left (RTKL)
- Peninsula Base cabinets ordered with Recessed Toe Kick Option must be secured to the floor through the cabinet bottom into bracing secured to the floor
- Base toe kick (BTK8) required for front and any exposed side(s)



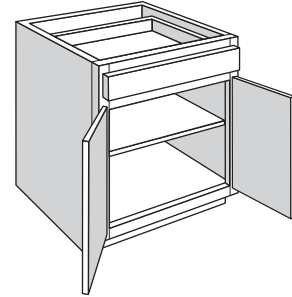
Full Depth Shelf Option

FDS

The Full Depth Shelf Option is available for most Base cabinets and will convert the half-depth shelf to a full-depth shelf.

Notes:

- Available for individual cabinets
- Not available for cabinets with accessories
- May be combined with the Reduced Depth Option down to 13"
- Cannot be ordered with All Plywood Construction



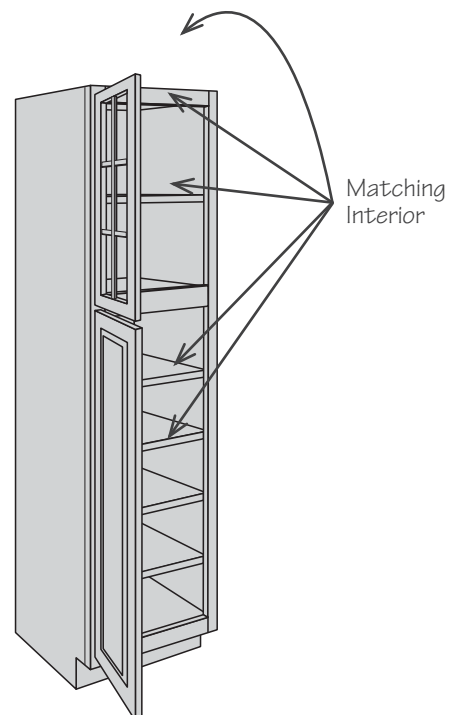
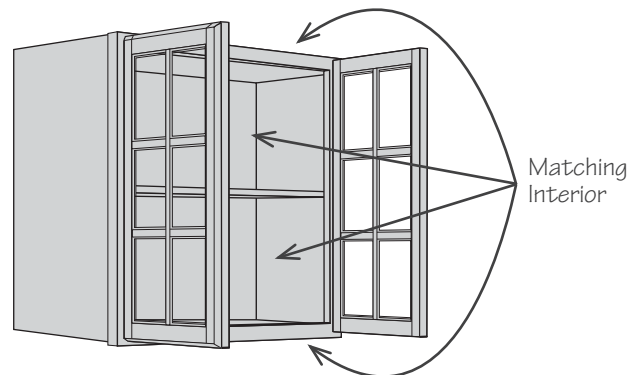
Matching Interior Option

MI

The Matching Interior Option is available for Wall cabinets (with the exceptions noted below), Utility cabinets, Vanity Linen cabinets, and Refrigerator Return Panels. This option matches the cabinet's interior, top and bottom to that of the cabinet's box exterior.

Notes:

- May be combined with all construction options excluding Cabinet Front Only
- Not available for wall cabinets with a standard matching interior (including all Specialty Door cabinets)
- Standard construction cabinetry with the Matching Interior Option features two-sided engineered wood side panels finished to match cabinet box exterior
- Recommended for wall cabinets with the Void Door Option (VDO)
- All finished surfaces of the Wall, Utility, and Vanity Linen cabinets will be color matched including shelves, back, interior and exterior of returns, top and bottom
- Surfaces that are not finished (including hanging rails, tops/bottoms of side panels, cabinet backs, etc.) will remain unfinished
- Interior accessories in Matching Interior cabinets will remain natural finish (e.g., spice rack kit, sliding shelves, pantry swing-out kit)



Void Door Option

VDO/VDM

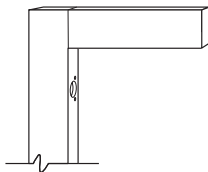
The Void Door Option is available for most wall cabinets. All void door cabinets ship without doors or hinges – center stiles and adjustable shelves will remain. Cabinet frames are pre-drilled for door hinges. All void door Wall Top Hinge Cabinets will ship without door, lid stays, and hinges.

Refer to the descriptions below to select the correct option for your layout:

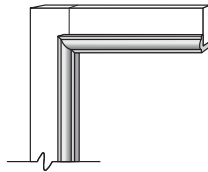
- VDO-DFH (Drilled For Hinges)
- VDM-SBAM (Single Bead Accent Molding)
- VDM-SAM (Shaker Accent Molding)

Notes:

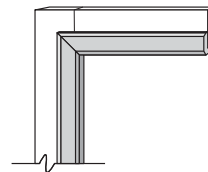
- May be combined with all construction options excluding Cabinet Front Only Option
- Can be used to create decorative open cabinets
- Decorative accent moldings will conceal hinge holes
- Molding is to be cut and field installed at the job site
- When matching interior is desired, the Matching Interior Option must be selected separately



VDO-DFH
Drilled For Hinges



VDO-SBAM
Single Bead Accent Molding



VDO-SAM
Shaker Accent Molding

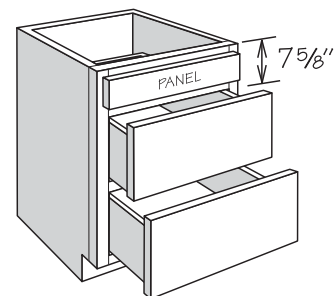
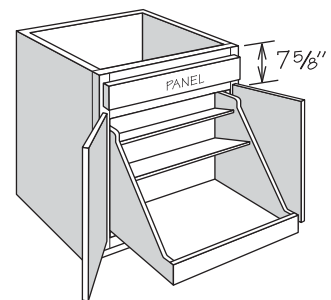
Void Top Drawer Option

VTD

The Void Top Drawer Option is available for most 3 Drawer Base, 4 Drawer Base, Base with Sliding Shelves, Base with Pot & Pan Organizer and Peninsula Base cabinets.

Notes:

- May be combined with all construction options excluding Cabinet Front Only and Inverted Frame Option
- This option removes the drawer body and glide system and replaces it with a false panel on any top drawer(s)
- On cabinets with multiple top drawers, all top drawers will be voided
- When using an appliance, the interior height clearance is 7⁵/₈" from the top of the cabinet to the top of the door/drawer opening below the voided drawer
- Subtract 1¹/₂" from width and depth for available top opening – removal of corner blocks may be required
- Removal of the top rail is not recommended
- Refer to appliance manufacturer's specifications for adequate clearances and required installation materials



Specialty Door Option cabinets are available for most wall, utility and vanity linen cabinet sizes. All Specialty Door Option cabinets include Matching Interior as standard and require one of the specialty door options below. Specialty door options for utility and vanity linen cabinets apply to top door(s) only.

Open Frame Door (OFD) notes:

- Features door frame only with no mullions or center panel
- Decorative glass inserts and appropriate glass clips are shipped separately from the cabinet for field installation – see pages 36–37 for available glass inserts
- See next page for door style profiles

Mullion Frame Door (MFD) notes:

- Features grid-style mullions
- Not available for Wall Top Hinge cabinets
- Decorative glass inserts and appropriate glass clips are shipped separately from the cabinet for field installation – see pages 36–37 for available glass inserts
- See next page for door style profiles

SPECIALTY DOOR AVAILABILITY BY SIZE

| Door Width | Door Height | | | | | | | |
|------------|---------------|---------------|---------------|---------------|---------------|---------------|---------------|---------------|
| | 12" High Wall | 15" High Wall | 18" High Wall | 24" High Wall | 27" High Wall | 30" High Wall | 36" High Wall | 42" High Wall |
| 12" Wide | ● | ● | ● | ● | | ● | ● | ● |
| 13" Wide | ● | ● | ● | ● | | ● | ● | ● |
| 15" Wide | ● | ● | ● | ● | ● | ● | ● | ● |
| 16" Wide | | ● | ● | ● | | ● | ● | ● |
| 18" Wide | ● | ● | ● | ● | | ● | ● | ● |
| 18 ½" Wide | ● | ● | ● | ● | | | | |
| 19" Wide | ● | ● | ● | ● | | ● | ● | ● |
| 21" Wide | ● | ● | ● | ● | | ● | ● | ● |
| 30" Wide | | ■ | ■ | | | | | |
| 36" Wide | | ■ | ■ | | | | | |
| 42" Wide | ■ | | | | | | | |

- Available with all Specialty Door Options
- Wall Top Hinge cabinets only – not available with MFD Option

SPECIALTY DOOR OFFERING BY STYLE

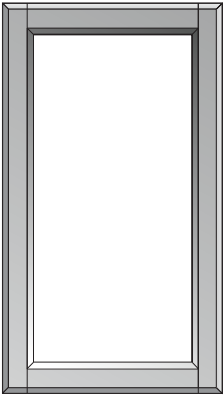
| Door Style | OFD | MFD |
|------------|-----|-----|
| Boerne | ● | ● |

Open Frame Door Profiles

OFD

PROFILE FOR:

- Boerne

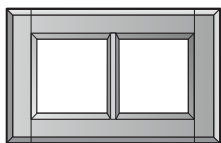


Mullion Frame Door Profiles

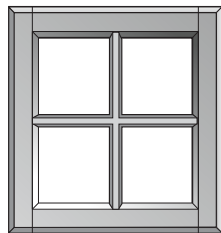
MFD

PROFILE FOR:

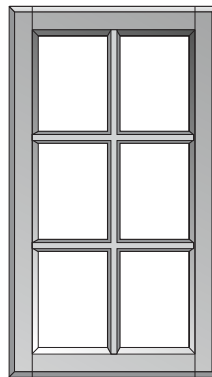
- Boerne



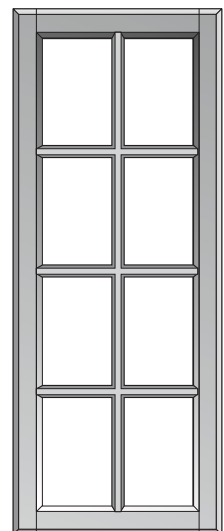
12" High Wall Cabinet



15", 18", 21", 24" or 27"
High Wall Cabinet



30" or 36" High Wall Cabinet
84" or 90" High Utility Cabinet
84" High Vanity Linen Cabinet



42" High Wall Cabinet
96" High Utility Cabinet

Clear Glass



| |
|-----|
| OFD |
| MFD |

- 1/8" thick panel
- Clear glass
- Tempered safety glass
- Includes appropriate Decorative Glass Clips
- Order as DGI-___ CLEAR, refer to Parts Directory for nomenclature and dimensions

Derbyshire Seeded Glass



| |
|-----|
| OFD |
| MFD |

- 5/16" thick panel
- Clear seeded glass
- Laminated safety glass
- Includes appropriate Decorative Glass Clips
- Order as DGI-___ DERBYSHIRE, refer to Parts Directory for nomenclature and dimensions

Frosted Glass



| |
|-----|
| OFD |
| MFD |

- 1/8" thick panel
- Frosted glass with etched finish
- Tempered safety glass
- Includes appropriate Decorative Glass Clips
- Order as DGI-___ FROSTED, refer to Parts Directory for nomenclature and dimensions

Frosted Ash Glass



| |
|-----|
| OFD |
| MFD |

- 1/8" thick panel
- Gray tinted glass
- Tint is manufactured in material - not a film
- Tempered safety glass
- Includes appropriate Decorative Glass Clips
- Order as DGI-___ FROSTED ASH, refer to Parts Directory for nomenclature and dimensions

Impression Glass



| |
|-----|
| OFD |
| MFD |

- 1/8" thick panel
- Sculptural glass
- Tempered safety glass
- Includes appropriate Decorative Glass Clips
- Order as DGI-___ IMPRESSION, refer to Parts Directory for nomenclature and dimensions

Meredith Glass



| |
|-----|
| OFD |
|-----|

- 1/4" overall thickness (1/8" beveled edge thickness)
- Clear glass design with 1/4" wide beveled edges
- Tempered safety glass
- Includes appropriate Decorative Glass Clips
- Order as DGI-___ MEREDITH, refer to Parts Directory for nomenclature and dimensions

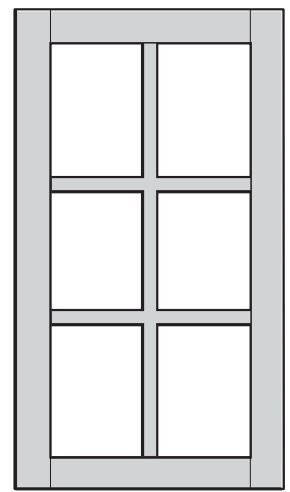
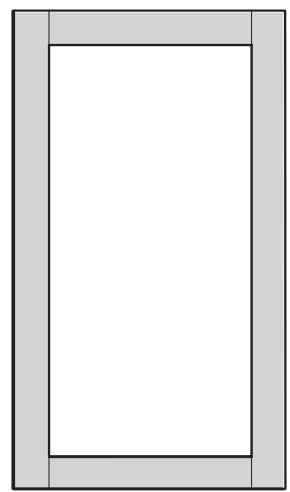
Ribbed Glass



| |
|-----|
| OFD |
| MFD |

- 1/8" thick panel
- Clear ribbed glass
- Tempered safety glass
- Includes appropriate Decorative Glass Clips
- Not available for Wall Top Hinge Cabinets
- Order as DGI-____ RIBBED, refer to Parts Directory for nomenclature and dimensions

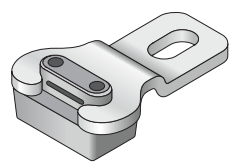
Prepped for Glass



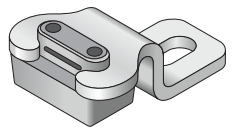
| |
|-----|
| OFD |
| MFD |

- For customer installed inserts up to 5/16" thick
- Refer to page 35 for standard profiles
- Decorative Glass Clips not included—order separately

Decorative Glass Clips



CLIP DGI 1/8



CLIP DGI 5/16

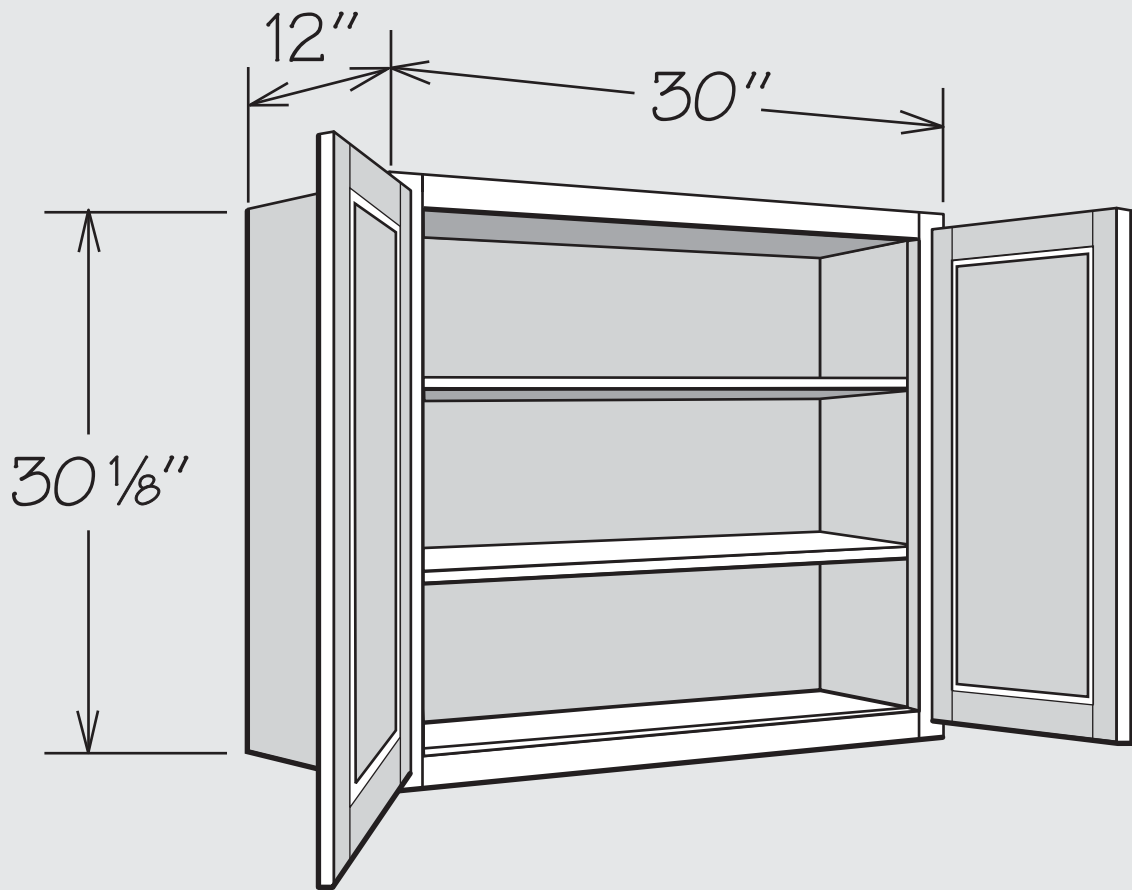
| Glass Insert | CLIP DGI 1/8 | CLIP DGI 5/16 |
|--------------|--------------|---------------|
| Clear | ● | |
| Derbyshire | | ● |
| Frosted | ● | |
| Frosted Ash | ● | |
| Impression | ● | |
| Meredith | ● | |
| Ribbed | ● | |

- For installation of decorative glass insert
- Order one bag (six clips) per door

CLIP DGI 1/8
CLIP DGI 5/16

Notes

WALL CABINETS

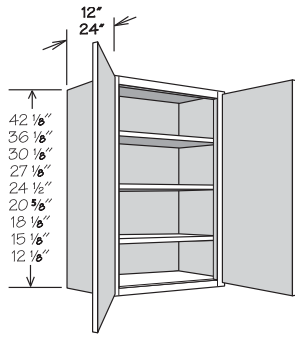


Wall Cabinets • 2 Butt Doors

NEW!

SIZES

| |
|-------|
| CFO |
| ID ◆ |
| MI ■ |
| RD |
| VDO ■ |



42" High Shown

- Specialty Door cabinets (SD) feature Matching Interior standard and require a specialty door selection
- 24" deep cabinets feature half-depth shelf where applicable
- 24" deep cabinets must be securely attached in one of the following combinations: to studs in back wall and both sides OR to studs in back wall, one side and top (e.g. two adjacent cabinets or one adjacent cabinet and a wall) or installed over a refrigerator
- 21", 18", 15" and 12" high wall cabinets are not drilled for adjustable shelf

12" DEEP

42"H • 3 Shelves

- W2442 BUTT ■◆
- W2742 BUTT ■◆
- W3042 BUTT ■◆
- W3342 BUTT ■◆
- W3642 BUTT ■◆
- W2442 BUTT SD ◆
- W2742 BUTT SD ◆
- W3042 BUTT SD ◆
- W3342 BUTT SD ◆
- W3642 BUTT SD ◆

36"H • 2 Shelves

- W2436 BUTT ■◆
- W2736 BUTT ■◆
- W3036 BUTT ■◆
- W3336 BUTT ■◆
- W3636 BUTT ■◆
- W2436 BUTT SD ◆
- W2736 BUTT SD ◆
- W3036 BUTT SD ◆
- W3336 BUTT SD ◆
- W3636 BUTT SD ◆

30"H • 2 Shelves

- W2430 BUTT ■◆
- W2730 BUTT ■◆
- W3030 BUTT ■◆
- W3330 BUTT ■◆
- W3630 BUTT ■◆
- W2430 BUTT SD ◆
- W2730 BUTT SD ◆
- W3030 BUTT SD ◆
- W3330 BUTT SD ◆
- W3630 BUTT SD ◆

27"H • 1 Shelf

- W3027 BUTT ■◆

24"H • 1 Shelf

- W2424 BUTT ■◆
- W2724 BUTT ■◆
- W3024 BUTT ■◆
- W3324 BUTT ■◆
- W3624 BUTT ■◆
- W2424 BUTT SD ◆
- W2724 BUTT SD ◆
- W3024 BUTT SD ◆
- W3324 BUTT SD ◆
- W3624 BUTT SD ◆

21"H • No Shelf

- W3021 BUTT ■◆
- W3321 BUTT ■◆
- W3621 BUTT ■◆

18"H • No Shelf

- W2418 BUTT ■◆
- W2718 BUTT ■◆
- W3018 BUTT ■◆
- W3318 BUTT ■◆
- W3618 BUTT ■◆
- W2418 BUTT SD ◆
- W2718 BUTT SD ◆
- W3018 BUTT SD ◆
- W3318 BUTT SD ◆
- W3618 BUTT SD ◆

15"H • No Shelf

- W2415 BUTT ■◆
- W2715 BUTT ■◆
- W3015 BUTT ■◆
- W3315 BUTT ■◆
- W3615 BUTT ■◆
- W2415 BUTT SD ◆
- W2715 BUTT SD ◆
- W3015 BUTT SD ◆
- W3315 BUTT SD ◆
- W3615 BUTT SD ◆

12"H • No Shelf

- W2412 BUTT ■◆
- W2712 BUTT ■◆
- W3012 BUTT ■◆
- W3312 BUTT ■◆
- W3612 BUTT ■◆
- W2412 BUTT SD ◆
- W2712 BUTT SD ◆
- W3012 BUTT SD ◆
- W3612 BUTT SD ◆

24" DEEP

27"H • 1 Shelf

- W3027 X 24 DP BUTT ■

24"H • 1 Shelf

- W3024 X 24 DP BUTT ■
- W3324 X 24 DP BUTT ■
- W3624 X 24 DP BUTT ■
- W3724 X 24 DP BUTT ■
- W3024 X 24 DP BUTT SD
- W3324 X 24 DP BUTT SD
- W3624 X 24 DP BUTT SD
- W3724 X 24 DP BUTT SD

21"H • No Shelf

- W3021 X 24 DP BUTT ■
- W3321 X 24 DP BUTT ■
- W3621 X 24 DP BUTT ■
- W3721 X 24 DP BUTT ■

18"H • No Shelf

- W3018 X 24 DP BUTT ■
- W3318 X 24 DP BUTT ■
- W3618 X 24 DP BUTT ■
- W3718 X 24 DP BUTT ■
- W3018 X 24 DP BUTT SD
- W3318 X 24 DP BUTT SD
- W3618 X 24 DP BUTT SD
- W3718 X 24 DP BUTT SD

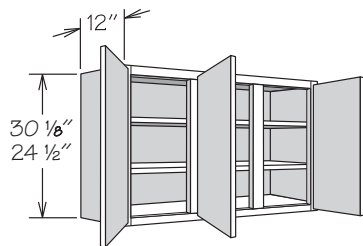
15"H • No Shelf

- W3015 X 24 DP BUTT ■
- W3315 X 24 DP BUTT ■
- W3615 X 24 DP BUTT ■
- W3715 X 24 DP BUTT ■
- W3015 X 24 DP BUTT SD
- W3315 X 24 DP BUTT SD
- W3615 X 24 DP BUTT SD
- W3715 X 24 DP BUTT SD

12"H • No Shelf

- W3012 X 24 DP BUTT ■
- W3312 X 24 DP BUTT ■
- W3612 X 24 DP BUTT ■
- W3712 X 24 DP BUTT ■
- W3012 X 24 DP BUTT SD
- W3312 X 24 DP BUTT SD
- W3612 X 24 DP BUTT SD
- W3712 X 24 DP BUTT SD

Wall Cabinets • 3 Doors



30" High Shown

- Specialty Door cabinets (SD) feature Matching Interior standard and require a specialty door selection
- Hinged as shown
- 12" high wall cabinets are not drilled for adjustable shelf
- Center shelf support provided (where applicable)

| |
|-------|
| CFO |
| MI ■ |
| RD |
| VDO ■ |

12" DEEP

30"H • 2 Shelves

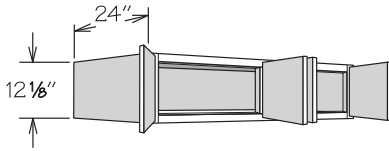
- W4530 ■
- W4530 SD

24"H • 1 Shelf

- W4524 ■
- W4524 SD

Wall Cabinets • 4 Butt Doors

| |
|-------|
| CFO |
| MI ■ |
| RD |
| VDO ■ |



- Not drilled for adjustable shelf
- 24" deep cabinets must be installed by:
 - » Securely attaching to studs in back wall and both sides or to studs in back wall, one side and top (e.g. two adjacent cabinets or one adjacent cabinet and a wall)
 - » And must be either stacked, floor mounted or installed over a refrigerator

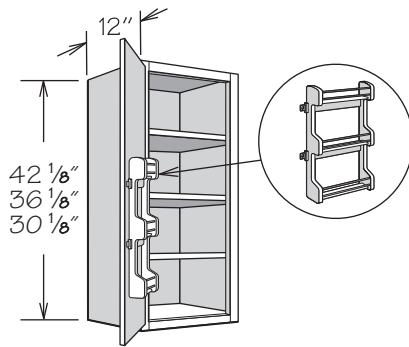
24" DEEP

12"H • No Shelf

W4812 X 24 DP BUTT

Wall Cabinet with Spice Rack • 1 Door

| |
|----|
| ID |
| MI |



42" High Shown

- Spice Rack Kit packaged separately for field installation
- Position adjustable shelves prior to installation
- Kit in natural finish solid wood features chrome rails and three fixed shelves
- Must be ordered as hinged left or right

12" DEEP

42"H • 3 Shelves

W1542 SR
W1842 SR
W2142 SR

30"H • 2 Shelves

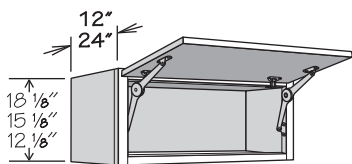
W1530 SR
W1830 SR
W2130 SR

36"H • 2 Shelves

W1536 SR
W1836 SR
W2136 SR

Wall Top Hinge • 1 Door

| |
|-------|
| ID ◆ |
| MI ■ |
| RD |
| VDO ■ |



15" High Shown

- Features one pair of factory installed, field adjustable lid stays that supports door securely at any angle up to 105°
- Cabinet can be flipped to open downwards and lid stay can be adjusted to support door
- Door rail and stile configuration and insert panel grain direction will differ from standard wall cabinets
- Specialty Door cabinets (SD) feature Matching Interior standard and require a specialty door selection
- MFD not available on Wall Top Hinge Specialty Door cabinets
- 24" deep cabinets must be installed by:
 - » Securely attaching to studs in back wall and both sides or to studs in back wall, one side and top (e.g. two adjacent cabinets or one adjacent cabinet and a wall)
 - » And must be either stacked, floor mounted or installed over a refrigerator

12" DEEP

18"H • No Shelf

WTH3018 ■ ◆
WTH3618 ■ ◆
WTH3018 SD ◆
WTH3618 SD ◆

15"H • No Shelf

WTH3015 ■ ◆
WTH3615 ■ ◆
WTH3015 SD ◆
WTH3615 SD ◆

12"H • No Shelf

WTH4212 ■
WTH4212 SD

24" DEEP

18"H • No Shelf

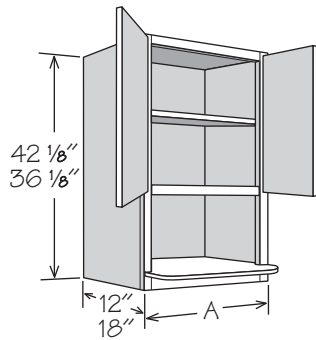
WTH3018 X 24 DP ■
WTH3618 X 24 DP ■
WTH3018 X 24 DP SD
WTH3618 X 24 DP SD

15"H • No Shelf

WTH3015 X 24 DP ■
WTH3615 X 24 DP ■
WTH3015 X 24 DP SD
WTH3615 X 24 DP SD

Wall Microwave Cabinets • 2 Butt Doors

| |
|-----|
| RD |
| VDO |



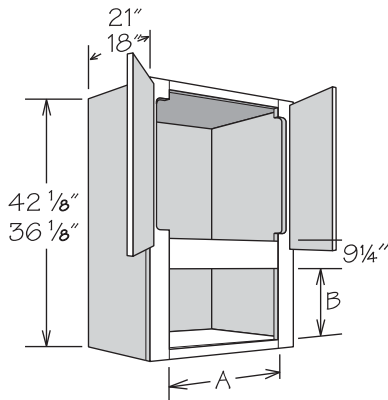
42" High Shown

- Must be installed between two adjacent cabinets or a cabinet and a wall
- Cabinet interior and microwave shelf are finished to match cabinet box exterior
- 3/4" plywood microwave shelf included
- Designed to accommodate countertop style microwave
- Refer to appliance manufacturer's specifications for adequate clearances
- 36" high wall cabinets are not drilled for adjustable shelf

| 12" DEEP | A | LOWER FRAME OPENING | | |
|------------------------|-----|---------------------|---------|---------|
| | | WIDTH | HEIGHT | DEPTH |
| 36"H • No Shelf | | | | |
| WMSC301236 BUTT | 30" | 26 3/4" | 18 5/8" | 17 3/4" |
| WCMSC241236 BUTT | 24" | 20 3/4" | 15 5/8" | 17 3/4" |
| WCMSC271236 BUTT | 27" | 23 3/4" | 15 5/8" | 17 3/4" |
| 18" DEEP | | | | |
| 42"H • 1 Shelf | | | | |
| WMSC271842 BUTT | 27" | 23 3/4" | 15 1/4" | 23 3/4" |

Microwave Wall Cabinets • 2 Butt Doors

| |
|----|
| ID |
| MI |
| RD |

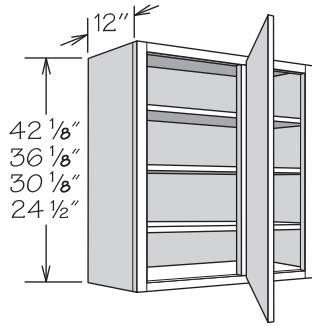


42" High Shown

- Must be installed between two cabinets or a cabinet and a wall
- Designed to accommodate microwaves with trim kit
- A cutout exists in the door area where the 3/8" stiles are routed to 1 5/8"
- Refer to appliance manufacturers specifications for adequate clearances
- Not drilled for adjustable shelf

| 18" DEEP | A | A | B | B | B |
|------------------------|---------|------|---------|------------|------------|
| | ACTUAL | MAX. | ACTUAL | MAX. (FOL) | MAX. (POL) |
| 42"H • No Shelf | | | | | |
| WMC301842 BUTT | 23 3/4" | 28" | 12 1/4" | 19 1/2" | 20" |
| 36"H • No Shelf | | | | | |
| WMC271836 BUTT | 20 3/4" | 25" | 11 3/4" | 19 1/2" | 20" |
| WMC301836 BUTT | 23 3/4" | 28" | 11 3/4" | 19 1/2" | 20" |
| 21" DEEP | | | | | |
| 42"H • No Shelf | | | | | |
| WMC302142 BUTT | 23 3/4" | 28" | 12 1/4" | 19 1/2" | 20" |
| 36"H • No Shelf | | | | | |
| WMC272136 BUTT | 20 3/4" | 25" | 11 3/4" | 19 1/2" | 20" |
| WMC302136 BUTT | 23 3/4" | 28" | 11 3/4" | 19 1/2" | 20" |

Blind Wall Cabinet • 1 Door



42" High Shown

- Cabinet shown as right indicating blind opening is on the right side of cabinet (must be ordered as left or right)
- Includes 1/8" panel to cover blind opening (field trim and install)
- Refer to Blind Wall Cabinet Installation Chart for specifications
- Must order Universal Filler separately
- Specialty Door cabinets (SD) feature Matching Interior standard and require a specialty door selection

| |
|-------|
| CFO |
| ID |
| MI ■ |
| RD |
| VDO ■ |

12" DEEP

42"H • 3 Shelves

BLW24/2742 ■
 BLW30/3342 ■
 BLW33/3642 ■
 BLW24/2742 SD
 BLW30/3342 SD
 BLW33/3642 SD

36"H • 2 Shelves

BLW24/2736 ■
 BLW30/3336 ■
 BLW33/3636 ■
 BLW24/2736 SD
 BLW30/3336 SD
 BLW33/3636 SD

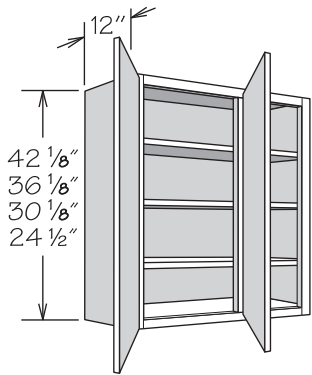
30"H • 2 Shelves

BLW24/2730 ■
 BLW27/3030 ■
 BLW30/3330 ■
 BLW33/3630 ■
 BLW36/3930 ■
 BLW24/2730 SD
 BLW27/3030 SD
 BLW30/3330 SD
 BLW33/3630 SD

24"H • 1 Shelf

BLW24/2724 ■
 BLW27/3024 ■
 BLW30/3324 ■
 BLW33/3624 ■
 BLW24/2724 SD
 BLW27/3024 SD
 BLW30/3324 SD
 BLW33/3624 SD

Blind Wall Cabinet • 2 Butt Doors



42" High Shown

- Cabinet shown as right indicating blind opening is on the right side of cabinet (can be reversed in the field)
- Includes 1/8" panel to cover blind opening (field trim and install)
- Refer to Blind Wall Cabinet Installation Chart for specifications
- Must order Universal Filler separately
- Specialty Door cabinets (SD) feature Matching Interior standard and require a specialty door selection
- Center shelf support provided for cabinets 39" or wider

| |
|-------|
| CFO |
| ID ◆ |
| MI ■ |
| RD |
| VDO ■ |

12" DEEP

42"H • 3 Shelves

BLW36/3942 BUTT ■ ◆
 BLW39/4242 BUTT ■
 BLW42/4542 BUTT ■
 BLW36/3942 BUTT SD ◆
 BLW39/4242 BUTT SD
 BLW42/4542 BUTT SD

36"H • 2 Shelves

BLW36/3936 BUTT ■ ◆
 BLW39/4236 BUTT ■
 BLW42/4536 BUTT ■
 BLW36/3936 BUTT SD ◆
 BLW39/4236 BUTT SD
 BLW42/4536 BUTT SD

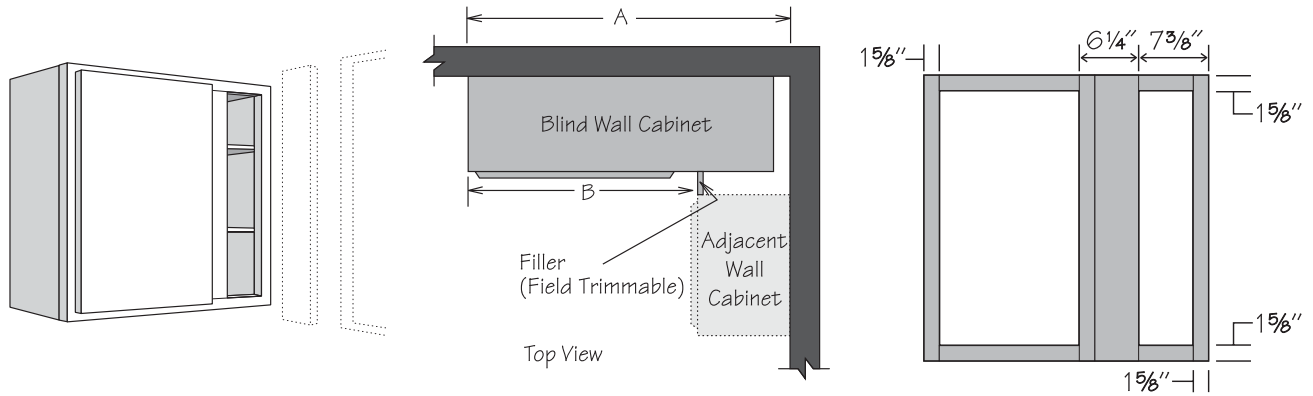
30"H • 2 Shelves

BLW36/3930 BUTT ■ ◆
 BLW39/4230 BUTT ■
 BLW42/4530 BUTT ■
 BLW45/4830 BUTT ■
 BLW48/5130 BUTT ■
 BLW36/3930 BUTT SD ◆
 BLW39/4230 BUTT SD
 BLW42/4530 BUTT SD
 BLW45/4830 BUTT SD
 BLW48/5130 BUTT SD

24"H • 1 Shelf

BLW36/3924 BUTT ■ ◆
 BLW36/3924 BUTT SD ◆

Blind Wall Cabinet Installation Chart



Partial Overlay Door Styles

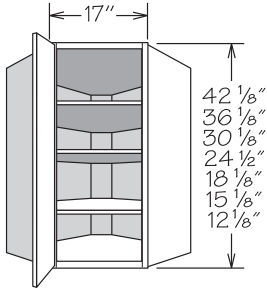
Wall Space A requirements include optional decorative hardware clearance. 1/4" may be deducted if decorative hardware is not used.

| CABINET | ACTUAL CABINET WIDTH | DOOR OPENING | DOOR(S) | WALL SPACE A | | | EXPOSED FRAME B | |
|----------------|----------------------|--------------|----------------|---------------|--------------|---------------|-----------------|---------------|
| | | | | MINIMUM SPACE | MAXIMUM PULL | MAXIMUM SPACE | MINIMUM SPACE | MAXIMUM SPACE |
| BLW24/27_ | 24" | 8 3/4" | DR12_ | 25 3/8" | 2 5/8" | 28" | 13 3/8" | 16" |
| BLW27/30_ | 27" | 11 3/4" | DR15_ | 28 3/8" | 2 5/8" | 31" | 16 3/8" | 19" |
| BLW30/33_ | 30" | 14 3/4" | DR18_ | 31 3/8" | 2 5/8" | 34" | 19 3/8" | 22" |
| BLW33/36_ | 33" | 17 3/4" | DR21_ | 34 3/8" | 2 5/8" | 37" | 22 3/8" | 25" |
| BLW36/3930 | 36" | 20 3/4" | DR2430 | 37 3/8" | 2 5/8" | 40" | 25 3/8" | 28" |
| BLW36/39_ BUTT | 36" | 20 3/4" | DR12_ BUTT (2) | 37 3/8" | 2 5/8" | 40" | 25 3/8" | 28" |
| BLW39/42_ BUTT | 39" | 23 3/4" | DR13_ BUTT (2) | 40 3/8" | 2 5/8" | 43" | 28 3/8" | 31" |
| BLW42/45_ BUTT | 42" | 26 3/4" | DR15_ BUTT (2) | 43 3/8" | 2 5/8" | 46" | 31 3/8" | 34" |
| BLW45/48_ BUTT | 45" | 29 3/4" | DR16_ BUTT (2) | 46 3/8" | 2 5/8" | 49" | 34 3/8" | 37" |
| BLW48/51_ BUTT | 48" | 32 3/4" | DR18_ BUTT (2) | 49 3/8" | 2 5/8" | 52" | 37 3/8" | 40" |

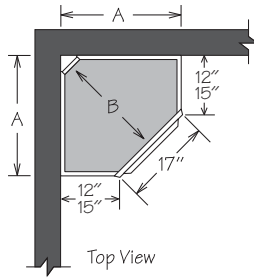
Corner Wall Cabinets

NEW! SIZES

MI ■
VDO ■



42" High Shown



Top View

- Must be ordered as hinged left or right
- Door opening is 11 3/4" wide
- Features a DR15_ door
- Specialty Door cabinets (SD) feature Matching Interior standard and require a specialty door selection
- 24" high cabinet's shelf is adjustable, not removable
- Glass Shelf Kit is not available for 18" or 24" high cabinets

| | A | B |
|----------|-----|---------|
| 12" Deep | 24" | 21 1/2" |
| 15" Deep | 27" | 25 3/4" |

12" DEEP

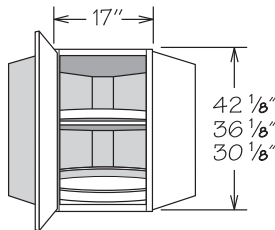
| 42"H • 3 Shelves | 36"H • 2 Shelves | 30"H • 2 Shelves | 24"H • 1 Shelf | 18"H • No Shelf | 15"H • No Shelf | 12"H • No Shelf |
|------------------|------------------|------------------|----------------|-----------------|-----------------|-----------------|
| CW2442 ■ | CW2436 ■ | CW2430 ■ | CW2424 ■ | CW2418 ■ | CW2415 ■ | CW2412 ■ |
| CW2442 SD | CW2436 SD | CW2430 SD | CW2424 SD | CW2418 SD | CW2415 SD | CW2412 SD |

15" DEEP

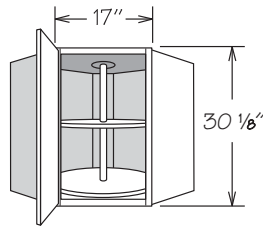
| 42"H • 3 Shelves | 36"H • 2 Shelves | 30"H • 2 Shelves | 24"H • 1 Shelf | 18"H • No Shelf | 15"H • No Shelf | 12"H • No Shelf |
|------------------|------------------|------------------|----------------|-----------------|-----------------|-----------------|
| CW2742 ■ | CW2736 ■ | CW2730 ■ | CW2724 ■ | CW2718 ■ | CW2715 ■ | CW2712 ■ |
| CW2742 SD | CW2736 SD | CW2730 SD | CW2724 SD | CW2718 SD | CW2715 SD | CW2712 SD |

Corner Wall Cabinets • Spin Units

MI ■
VDO ■



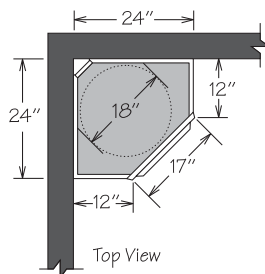
WOOD SPIN UNIT



PLASTIC SPIN UNIT

30" High Shown

- Must be ordered as hinged left or right
- Door opening is 11 3/4" wide
- Features a DR15_ door
- Wood Spin Units feature:
 - » One fixed spin unit mounted on cabinet floor and all other spin units are attached to 3/4" adjustable shelf
 - » Natural wood finish with 1" lip
- Plastic Spin Units feature:
 - » Two spin shelves with pole (top shelf adjustable)
 - » White high strength plastic shelves
- Specialty Door cabinets (SD) feature Matching Interior standard and require a specialty door selection



Top View

WOOD SPIN UNIT

42"H • 3 Spin Units
CWS2442 WD ■
CWS2442 WD SD

36"H • 2 Spin Units
CWS2436 WD ■
CWS2436 WD SD

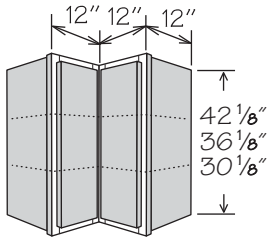
30"H • 2 Spin Units
CWS2430 WD ■
CWS2430 WD SD

PLASTIC SPIN UNIT

30"H • 2 Spin Units
CWS2430 ■
CWS2430 SD

Wall Easy Reach

MI

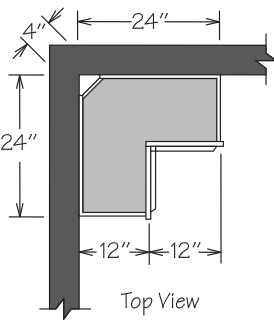


30" High Shown

- Stile width and outside profile of both doors at door-to-door hinge may vary from standard dimension and profile for proper door function
- Must be ordered as hinged left or right
- Doors open 170°

12" DEEP

| | | |
|------------------------------------|------------------------------------|------------------------------------|
| 42"H • 3 Shelves WER2442 | 36"H • 2 Shelves WER2436 | 30"H • 2 Shelves WER2430 |
|------------------------------------|------------------------------------|------------------------------------|

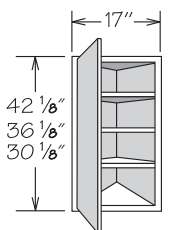


Top View

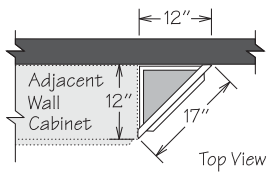
WALL CABINETS

Wall End Angle • 1 Door

MI ■
VDO ■



42" High Shown



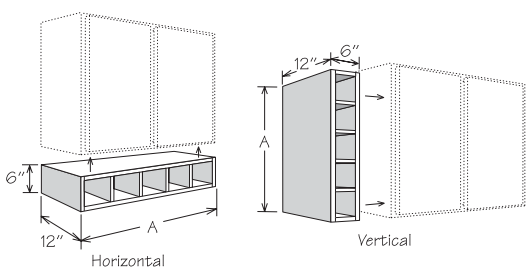
Top View

- Requires 12" x 12" space
- Features a DR15_ door
- Must be ordered as hinged left or right
- Specialty Door cabinets (SD) feature Matching Interior standard and require a specialty door selection

12" DEEP

| | | |
|--|--|--|
| 42"H • 3 Shelves WEA1242 ■ WEA1242 SD | 36"H • 2 Shelves WEA1236 ■ WEA1236 SD | 30"H • 2 Shelves WEA1230 ■ WEA1230 SD |
|--|--|--|

Storage Cube

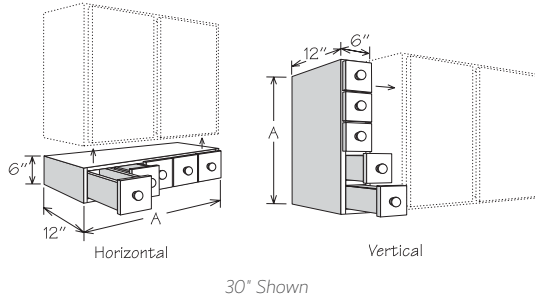


30" Shown

- Designed for horizontal or vertical installation
- Vertical installation may require the use of fillers and/or molding which must be ordered separately
- Opening size is 5" wide x 4 1/2" high (horizontal) which will accommodate most wine bottles and various other storage needs
- All door styles feature 3/4" veneered engineered wood finished to match cabinet box exterior
- Flush sides with no face frame or 1/4" reveals
- Interior finished to match cabinet box exterior
- Cannot be retrofitted with Spice Drawer Cabinet drawers

| 12" DEEP | A | NUMBER OF OPENINGS |
|----------|-----|--------------------|
| SC30 | 30" | 5 |
| SC36 | 36" | 6 |
| SC42 | 42" | 7 |

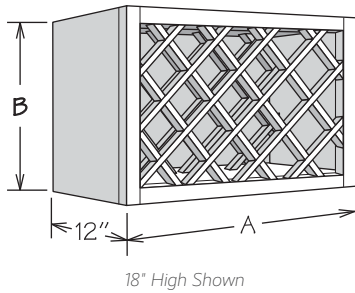
Spice Drawer Cabinet



- Designed for horizontal or vertical installation
- Vertical installation may require the use of fillers and/or molding which must be ordered separately
- All door styles feature veneered engineered wood with 1/2" thick slab drawer fronts
- Flush sides with no face frame or 1/4" reveals
- All wood drawer body with dovetail construction

| 12" DEEP | A | NUMBER OF DRAWERS |
|----------|-----|-------------------|
| SDC18 | 18" | 3 |
| SDC24 | 24" | 4 |
| SDC30 | 30" | 5 |
| SDC36 | 36" | 6 |

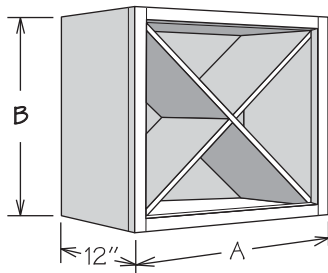
Wine Rack Cabinet



- Features Matching Interior standard
- Wine bottle opening is 4" x 4"
- Cabinets must be installed between two adjacent cabinets, one cabinet and a wall, or secured to a cabinet directly above or below

| 12" DEEP | A | B | NUMBER OF BOTTLES |
|-------------|-----|---------|-------------------|
| 18"H | | | |
| WRC3018 | 30" | 18 1/8" | 11 |
| 15"H | | | |
| WRC3015 | 30" | 15 1/8" | 10 |
| WRC3615 | 36" | 15 1/8" | 13 |

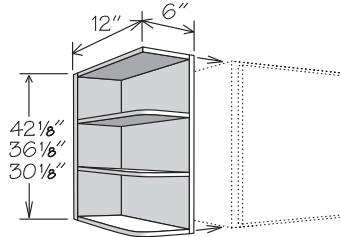
Wine Storage Cabinet



- Features Matching Interior standard
- Standard cabinet sides are 1/2" engineered wood
- All door styles feature 3/4" plywood partitions
- Accent molding recommended – order separately
- Cabinets must be installed between two adjacent cabinets, one cabinet and a wall, or secured to a cabinet directly above or below

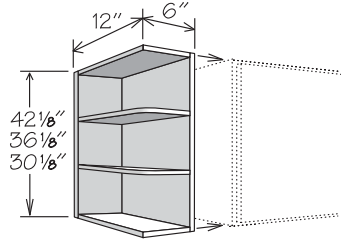
| 12" DEEP | A | B | NUMBER OF BOTTLES |
|-------------|-----|---------|-------------------|
| 24"H | | | |
| WSC2424 | 24" | 24 1/2" | 30 |
| 18"H | | | |
| WSC1818 | 18" | 18 1/8" | 12 |

Shelf End Wall



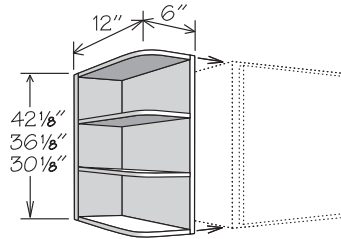
SQUARE TOP, ROUND BOTTOM (SQT)

30" High Shown



SQUARE TOP & BOTTOM (SQTb)

30" High Shown



ROUND TOP & BOTTOM (SEW)

30" High Shown

- Interior finished to match cabinet box exterior
- Features 1/2" veneered engineered wood back and side
- Top, bottom, and shelves are 3/4" veneered engineered wood
- Rounded shelves feature a 3" radius
- 1 1/8" screw recommended from inside of adjacent cabinet for installation
- Rounded bottom on SEW_SQT does not allow cabinet to be reversed in the field or installation of bottom molding

12" DEEP

42"H • 3 Shelves

SEW42L SQT
SEW42R SQT
SEW42 SQTb
SEW42

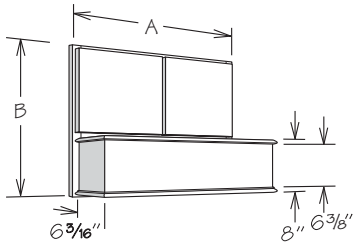
36"H • 2 Shelves

SEW36L SQT
SEW36R SQT
SEW36 SQTb
SEW36

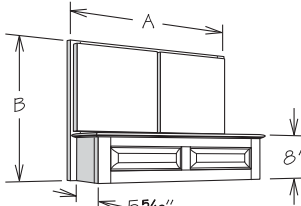
30"H • 2 Shelves

SEW30L SQT
SEW30R SQT
SEW30 SQTb
SEW30

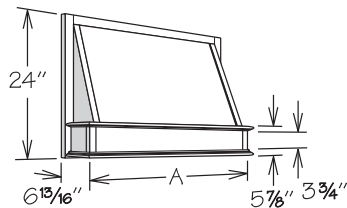
Wall Range Hood



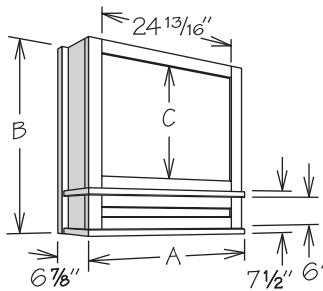
STRAIGHT VALANCE __SV



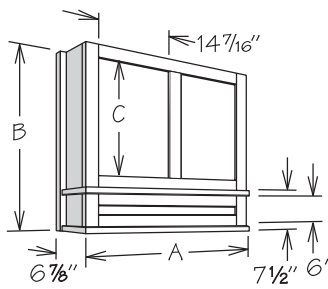
RAISED PANEL __RP



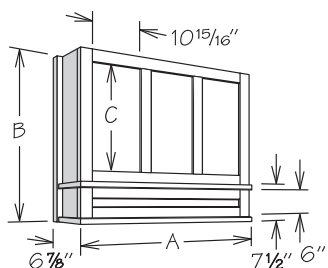
CLASSIC TAPERED __CT



DECORATIVE MANTLE • 1 PANEL



DECORATIVE MANTLE • 2 PANEL



DECORATIVE MANTLE • 3 PANEL

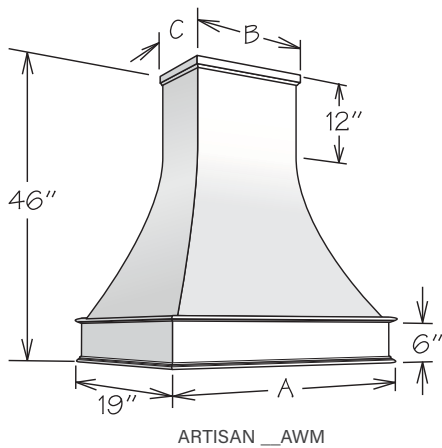
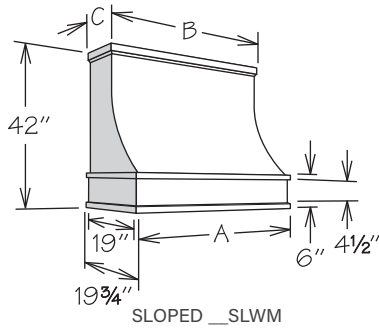
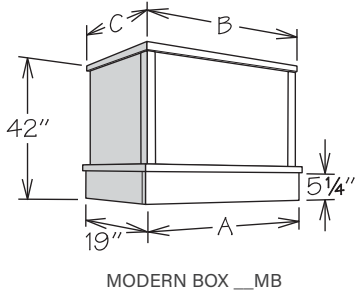
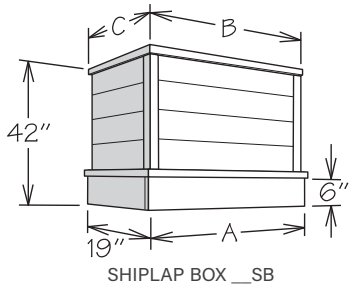
- Must be installed between two wall cabinets
- Silver metallic liner included
- Order range hood blower separately - not for use with RHVENT 960
- All finished surfaces will match cabinet box exterior
- Straight Valance and Raised Panel Range Hoods feature:
 - » Center stile and functioning BUTT doors allow for duct work installation and wiring
 - » Doors will match door style ordered

| | A | B | C | DOORS |
|------------------------------------|-----|-----|----------|-----------------|
| Straight Valance | | | | |
| WRH3024 SV | 30" | 24" | — | (2) DR1515 BUTT |
| WRH3624 SV | 36" | 24" | — | (2) DR1815 BUTT |
| WRH3027 SV | 30" | 27" | — | (2) DR1518 BUTT |
| WRH3627 SV | 36" | 27" | — | (2) DR1818 BUTT |
| WRH3030 SV | 30" | 30" | — | (2) DR1521 BUTT |
| WRH3630 SV | 36" | 30" | — | (2) DR1821 BUTT |
| Raised Panel | | | | |
| WRH3024 RP | 30" | 24" | — | (2) DR1515 BUTT |
| WRH3624 RP | 36" | 24" | — | (2) DR1815 BUTT |
| WRH3027 RP | 30" | 27" | — | (2) DR1518 BUTT |
| WRH3627 RP | 36" | 27" | — | (2) DR1818 BUTT |
| WRH3030 RP | 30" | 30" | — | (2) DR1521 BUTT |
| WRH3630 RP | 36" | 30" | — | (2) DR1821 BUTT |
| Classic Tapered | | | | |
| WRH3024 CT | 30" | — | — | — |
| WRH3624 CT | 36" | — | — | — |
| Decorative Mantle - 1 Panel | | | | |
| WRH3024 DM | 30" | 24" | 12 5/16" | — |
| WRH3030 DM | 30" | 30" | 18 5/16" | — |
| WRH3036 DM | 30" | 36" | 24 5/16" | — |
| Decorative Mantle - 2 Panel | | | | |
| WRH3624 DM | 36" | 24" | 12 5/16" | — |
| WRH3630 DM | 36" | 30" | 18 5/16" | — |
| WRH3636 DM | 36" | 36" | 24 5/16" | — |
| Decorative Mantle - 3 Panel | | | | |
| WRH4236 DM | 42" | 36" | 24 5/16" | — |

Range Hood • Integrated Chimney

NEW! NOMENCLATURE

NEW! UPDATE

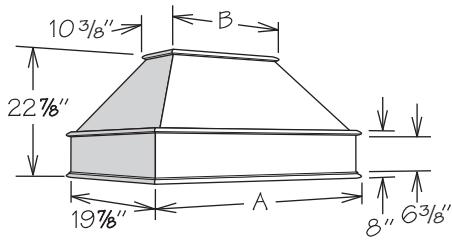


- **UPDATE:** Artisan and Sloped range hoods now include a piece of Contemporary Trim Molding (CLTM8) to field trim and install at the top of hood
- All door styles are finished to match cabinet box exterior - glazed finishes will be glazed
- Wall mounted installation only
- Silver metallic liner included - liner specific to range hood and blower ordered
 - » If no blower is ordered, RHLINER_S will be included
- Order range hood blower separately
- Field trimmable in height to 24"
- RH_ SB and RH_ MB include field installed corner molding and removable top molding
- Features a french cleat install system which requires 1" gap between hood and ceiling - use included molding to cover the gap
- Not recommended for use with Recirculating Blowers (RHVENT 260R & RHVENT 400R)

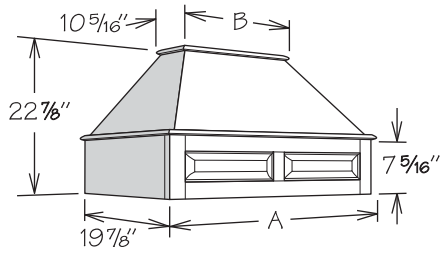
| | A | B* | C** |
|--------------------|----------|---------|---------|
| Shiplap Box | | | |
| RH3642 SB | 36" | 37 1/2" | 19 3/4" |
| RH4242 SB | 42" | 43 1/2" | 19 3/4" |
| RH4842 SB | 48" | 49 1/2" | 19 3/4" |
| Modern Box | | | |
| RH3642 MB | 36" | 37 1/2" | 19 3/4" |
| RH4242 MB | 42" | 43 1/2" | 19 3/4" |
| RH4842 MB | 48" | 49 1/2" | 19 3/4" |
| Sloped | | | |
| RH3642 SLWM | 37 9/16" | 36" | 10 7/8" |
| RH4242 SLWM | 43 7/16" | 42" | 10 7/8" |
| Artisan | | | |
| RH3646 AWM | 38 5/16" | 18 1/2" | 10 1/4" |
| RH4246 AWM | 44 5/16" | 24 1/2" | 10 1/4" |

*Includes 3/4" thick molding installed on both sides of hood - subtract 1 1/2" for dimension without molding
 **Includes 3/4" thick molding installed on front of hood - subtract 3/4" for dimension without molding

Range Hood



STRAIGHT VALANCE __SV

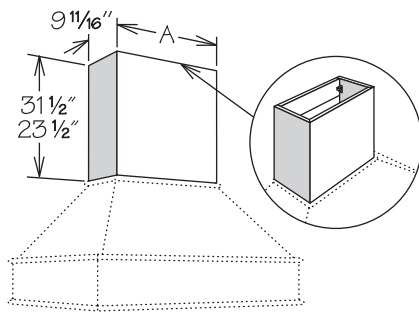


RAISED PANEL __RP

- All door styles are finished to match cabinet box exterior
- Wall mounted installation only
- Order range hood blower separately
- Silver metallic liner included - liner is specific to range hood and blower ordered
 - » If no blower is ordered RHLINER_S will be included
- May be accessorized with Range Hood Chimney - order separately

| | A | B |
|-------------------------|---------|----------|
| Straight Valance | | |
| RH3624 SV | 37 3/4" | 18 3/4" |
| RH4224 SV | 43 3/4" | 24 3/4" |
| RH4824 SV | 49 3/4" | 30 3/4" |
| Raised Panel | | |
| RH3624 RP | 37 3/4" | 18 9/16" |
| RH4224 RP | 43 3/4" | 24 9/16" |
| RH4824 RP | 49 3/4" | 30 9/16" |

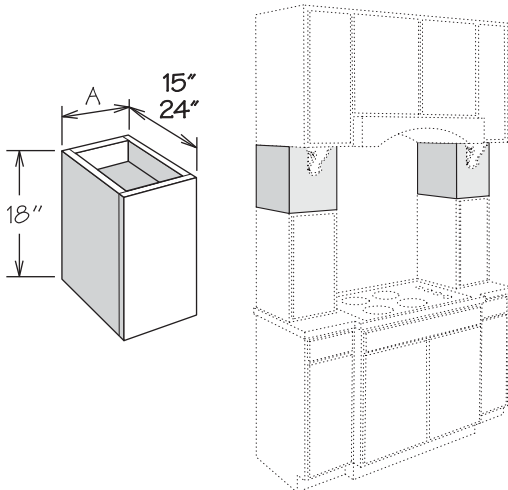
Range Hood Chimney



- Field trimmable in height
- All door styles feature 3/4" solid wood finished to match cabinet box exterior
- Features two chimney mounting blocks with metal fasteners
- For use with Straight Valance or Raised Panel Range Hoods

| 23 1/2" HIGH | 31 1/2" HIGH | A |
|--------------|--------------|---------|
| RHC3623 | RHC3631 | 17 3/8" |
| RHC4223 | RHC4231 | 23 3/8" |
| RHC4823 | RHC4831 | 29 3/8" |

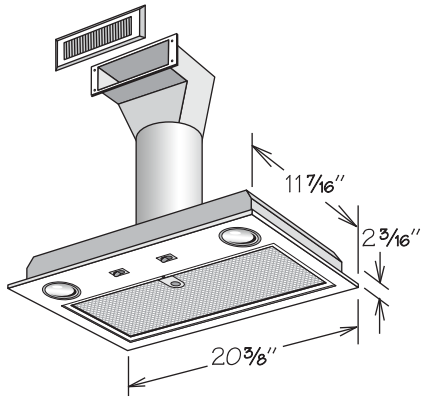
Plain Box Filler



- Veneered engineered wood
- Features 1/4" reveal
- Trimmable in height to 14 1/8" tall
- Reversible for left or right installation

| 24" DEEP | 15" DEEP | A |
|-----------|-----------|-----|
| WPB91824 | WPB91815 | 9" |
| WPB121824 | WPB121815 | 12" |

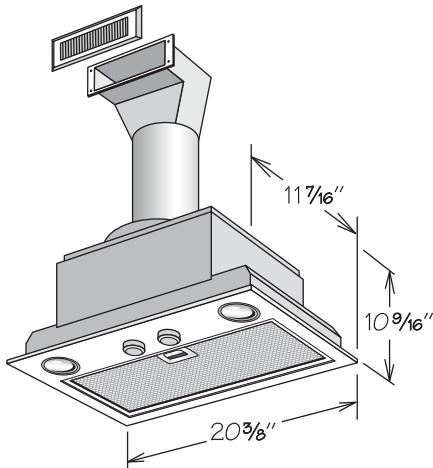
Range Hood Blower • 260 CFM Recirculating



- Designed for recirculating installation where exhaust is vented back into kitchen
- Recommended for use in spaces with soffit or bulkheads
- Not recommended for use with Integrated Chimney Range Hoods
- Includes duct work, metal grille and clips – field assembly required
- Stainless steel finish
- 2-Speed fan provides 260 CFM on high
- Sound level of 7.0 sones on high
- Features quick-release dishwasher safe aluminum mesh filter
- Includes two 2.8W bright LED lights
- Metal grille measures 11 1/4" x 5 5/16"
- 10" x 3" cutout required for metal grille
- Installation and care instructions included
- Liner not included

RHVENT 260R

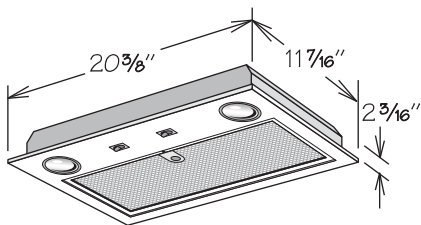
Range Hood Blower • 400 CFM Recirculating



- Designed for recirculating installation where exhaust is vented back into kitchen
- Recommended for use in spaces with soffit or bulkheads
- Designed for recirculating installation where exhaust is vented back into kitchen
- Includes duct work, metal grille and clips – field assembly required
- Stainless steel finish
- Energy Star rated
- Features 3-speed rotary switch
- Fan provides 400 CFM on high
- Sound level of 6.0 sones on high
- Features quick-release dishwasher safe aluminum mesh filter
- Includes two 2.8W bright LED lights
- Unit has master on-off switch and heat sentry will automatically turn unit on when excessive heat is detected
- Metal grille measures 11 1/4" x 5 5/16"
- 10" x 3" cutout required for metal grille
- Installation and care instructions included
- Liner not included

RHVENT 400R

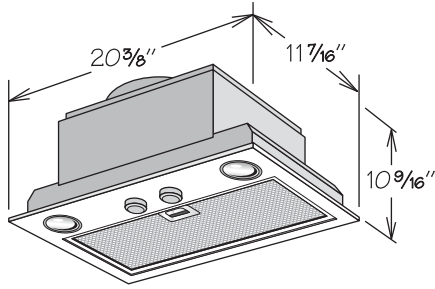
Range Hood Blower • 260 CFM Vented



- Designed for vented installation where exhaust is vented to exterior of home
- Stainless steel finish
- Requires 7" round duct for venting to exterior (not included)
- 2-Speed fan provides 260 CFM on high
- Sound level of 7.0 sones on high
- Features quick-release dishwasher safe aluminum mesh filter
- Includes two 2.8W bright LED lights
- Installation and care instructions included
- Liner not included

RHVENT 260

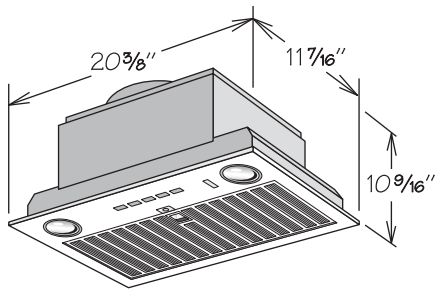
Range Hood Blower • 400 CFM Vented



- Designed for vented installation where exhaust is vented to exterior of home
- Stainless steel finish
- Energy Star rated
- Features 3-speed rotary switch
- Requires vertical 6" round or rectangular 3¼" x 10" duct for venting (not included)
- Fan provides 400 CFM on high using the rectangular duct and 390 CFM using the round duct
- Sound level of 6.0 sones on high
- Features quick-release dishwasher safe aluminum mesh filter
- Includes two 2.8W bright LED lights
- Unit has master on-off switch and heat sentry will automatically turn unit on when excessive heat is detected
- Installation and care instructions included
- Liner not included

RHVENT 400

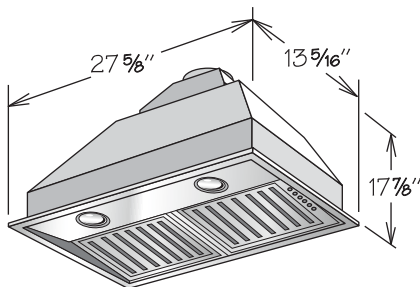
Range Hood Blower • 600 CFM Vented



- Designed for vented installation where exhaust is vented to exterior of home
- Stainless steel finish
- Features 4-speed back-lit Electronic Soft Touch controls
- Fan provides 600 CFM using the round duct and 580 CFM on high using the rectangular duct
- Sound level of 9.5 sones on high
- Features quick-release dishwasher safe baffle-style filter with clean filter reminder
- Includes two 3W bright LED lights with 3 lighting levels
- Unit has master on-off switch and heat sentry will automatically turn unit on when excessive heat is detected
- Auto-Sensing option sets CFM to correct level automatically
- Wifi enabled option allows for voice control
- Requires 8" round, 6" round, or 3¼" x 10" venting to exterior (not included)
- Installation and care instructions included
- Liner not included

RHVENT 600

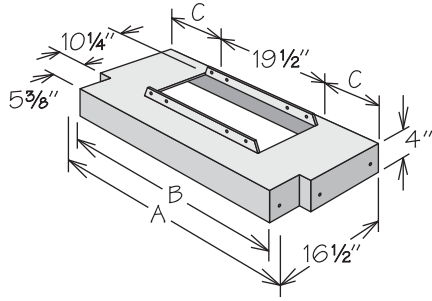
Range Hood Blower • 960 CFM Vented



- Designed for vented installation where exhaust is vented to exterior of home
- Durable stainless steel with brushed finish
- Features a 4-speed push-button control to offer greater CFM flexibility; 960 CFM, 660 CFM, 480 CFM and 300 CFM
- Centrifugal blower provides 960 CFM air delivery and sound level of 5.1 sones on high
- Includes two 4-watt 12v MR16 LED bulbs - daylight
- Features quick-release dishwasher safe baffle-style filter
- 10 minute delay off timer
- Requires 7" round duct for venting to exterior (not included)
- Installation and care instructions included
- Not designed for use with the following:
 - » Straight Valance Wall Range Hoods
 - » Raised Panel Wall Range Hoods
 - » Classic Tapered Wall Range Hoods
 - » Decorative Mantle Wall Range Hoods
- Liner not included

RHVENT 960

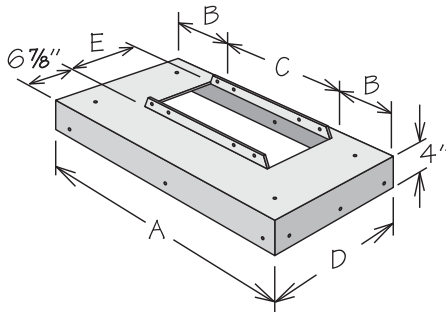
Tapered Hood Liner



- Liner is silver metallic powder coated metal
- For use with the following Wall Range Hoods:
 - » Straight Valance (WRH_SV)
 - » Raised Panel (WRH_RP)
 - » Classic Tapered (WRH_CT)
 - » Decorative Mantle (WRH_DM)
- One liner included with range hood

| | A | B | C |
|------------|------------------------------------|-----------------------------------|-----------------------------------|
| RHLINER 30 | 29 ¹⁵ / ₁₆ " | 26 ³ / ₁₆ " | 5 ⁷ / ₃₂ " |
| RHLINER 36 | 35 ¹⁹ / ₁₆ " | 32 ³ / ₁₆ " | 8 ⁷ / ₃₂ " |
| RHLINER 42 | 41 ¹⁹ / ₁₆ " | 38 ¹ / ₁₆ " | 11 ⁷ / ₃₂ " |

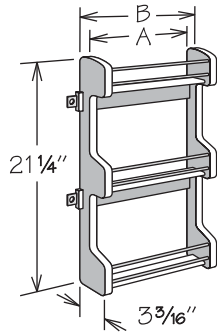
Straight Valance Hood Liner



- Liner finish is silver metallic powder-coated material
- For use with the following Range Hoods:
 - » Straight Valance (RH_SV)
 - » Raised Panel (RH_RP)
 - » Modern Box (RH_MB)
 - » Shiplap Box (RH_SB)
 - » Sloped (RH_SLWM)
 - » Artisan (RH_AWM)
- RHLINER_S SL1 must be used with RHVENT 960 blower
- RHLINER_S for use with all blowers except RHVENT 960
- One liner included with range hood (liner is specific to range hood and blower ordered)

| | A | B | C | D | E |
|-----------------|------------------------------------|-----------------------------------|------------------------------------|-----------------------------------|-----------------------------------|
| RHLINER 36S | 34 ¹¹ / ₃₂ " | 7 ⁷ / ₁₆ " | 19 ¹ / ₂ " | 18 ¹ / ₄ " | 10 ¹ / ₄ " |
| RHLINER 42S | 40 ¹¹ / ₃₂ " | 10 ⁷ / ₁₆ " | 19 ¹ / ₂ " | 18 ¹ / ₄ " | 10 ¹ / ₄ " |
| RHLINER 48S | 46 ¹¹ / ₃₂ " | 13 ⁷ / ₁₆ " | 19 ¹ / ₂ " | 18 ¹ / ₄ " | 10 ¹ / ₄ " |
| RHLINER 36S SL1 | 34 ¹¹ / ₃₂ " | 3 ³ / ₄ " | 26 ¹⁹ / ₁₆ " | 18 ³ / ₁₆ " | 12 ⁷ / ₁₆ " |
| RHLINER 42S SL1 | 40 ¹¹ / ₃₂ " | 6 ³ / ₄ " | 26 ¹⁹ / ₁₆ " | 18 ³ / ₁₆ " | 12 ⁷ / ₁₆ " |
| RHLINER 48S SL1 | 46 ¹¹ / ₃₂ " | 9 ³ / ₄ " | 26 ¹⁹ / ₁₆ " | 18 ³ / ₁₆ " | 12 ⁷ / ₁₆ " |

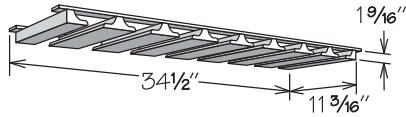
Spice Rack Kit



- Field installation accessory
- For wall cabinets 30" or higher
- Position cabinet adjustable shelves prior to installation
- Natural finish solid wood with chrome rails
- Three fixed shelves
- SRK15 mounts to 15" wide door
- SRK18 mounts to 18" wide door
- SRK21 mounts to 21" wide door

| | A | B |
|-------|---------|---------|
| SRK15 | 9 1/2" | 10 1/2" |
| SRK18 | 12 1/2" | 13 1/2" |
| SRK21 | 15 1/2" | 16 1/2" |

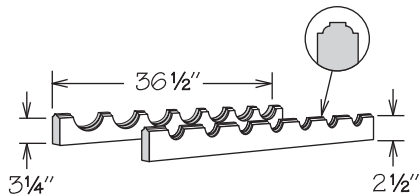
Stem Glass Holder



- Field trimmable to install below 18", 24", 30", or 36" wide wall cabinet
- All door styles feature solid wood finished to match cabinet box exterior
- Maximum stem glass base is 3/2" in diameter
- Not sized to fit modified depth cabinets

SGH36U

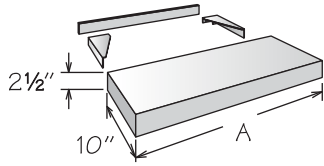
Wine Rack



- Accommodates seven bottles
- Field trimmable to 24" (five bottles) or 30" (six bottles)
- All door styles feature solid wood finished to match cabinet box exterior

WR36

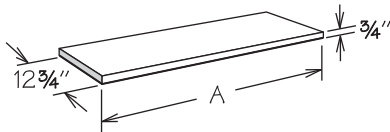
Floating Shelf



- Not trimmable
- Finished on all sides to match cabinet box exterior
- Features veneered engineered wood top and bottom and solid wood front and sides
- When installed between two cabinets, Wall End Panel (WEP) is recommended for adjacent cabinets
- Must be secured to studs in wall
- Installation instructions, mounting brackets and screws included

| 10" DEEP | A | MAX. LOAD |
|----------|-----|-----------|
| FLSH2410 | 24" | 30 lbs. |
| FLSH3010 | 30" | 37 lbs. |
| FLSH3610 | 36" | 45 lbs. |
| FLSH4210 | 42" | 52 lbs. |
| FLSH4810 | 48" | 60 lbs. |

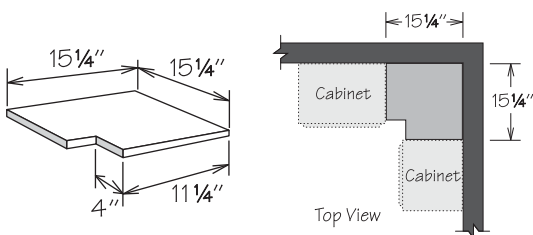
Finished Shelf



- Standard finished shelves feature veneered engineered wood, edge banded on all sides with top and bottom finished to match cabinet box exterior
- Field trimmable

| STANDARD | A |
|----------|---------|
| FS4812 | 48 1/4" |
| FS6012 | 60 1/4" |
| FS7212 | 72 1/4" |

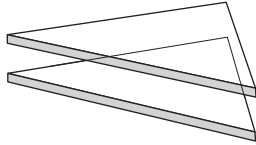
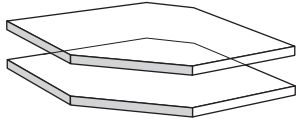
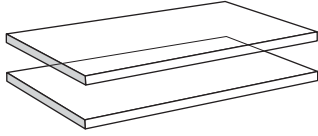
Blind Corner Closure



- Features 1/2" engineered wood finished with natural woodgrain finish on both sides
- Field trimmable

BLC1515

Glass Shelf Kit



- Glass Shelf Kit includes two ¼" high-strength tempered glass shelves
- Can be used with existing shelf rests or order SHELF REST MFD PK separately
- Refer to individual SKU box for number of shelves required and/or available
- GSK12 - GSK36 is 10¼" deep
- GSK12-15 - GSK36-15 is 13¼" deep
- Tempered glass cannot be field trimmed
- Glass Shelf Kits 12" - 24" wide have a 15 lb. per square foot load rating
- Glass Shelf Kits 27" - 36" wide have a 5 lb. per square foot load rating

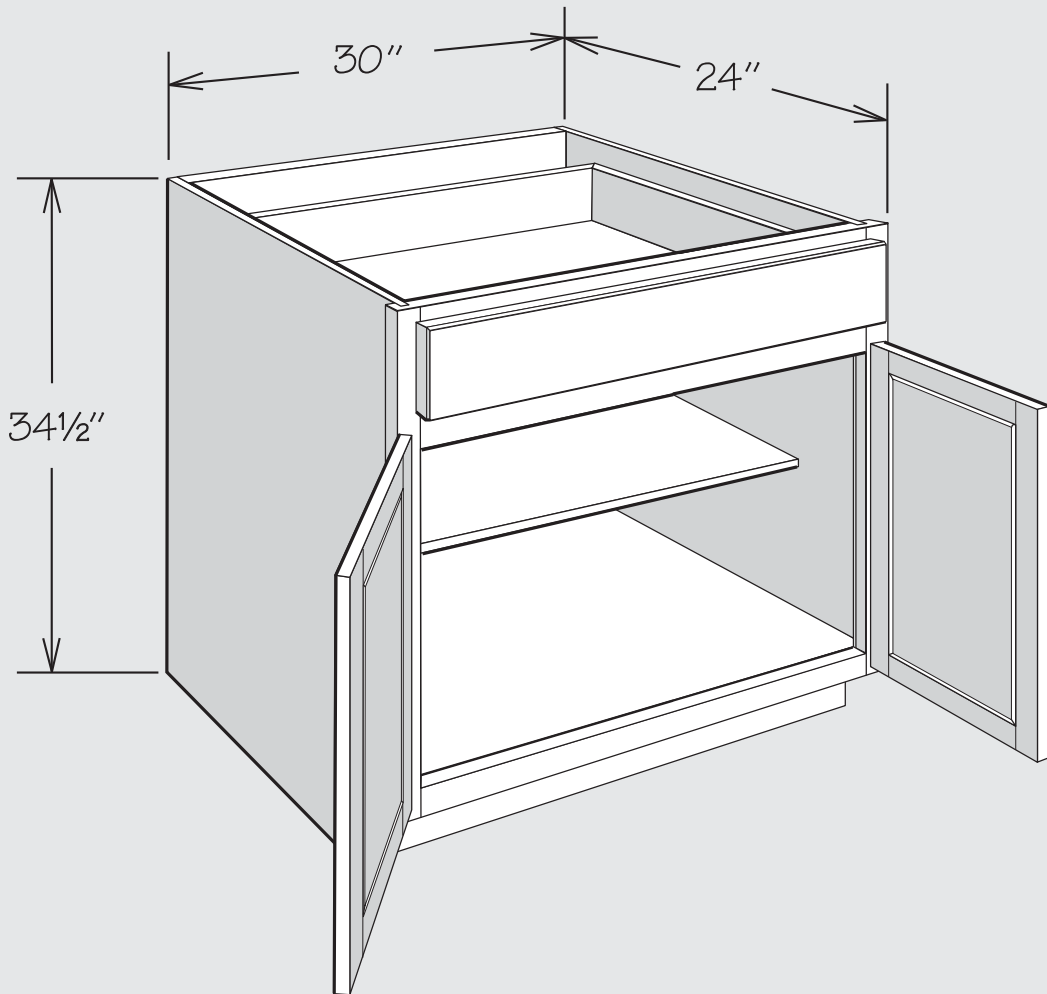
12" DEEP

GSK12
 GSK15
 GSK18
 GSK21
 GSK24
 GSK27
 GSK30
 GSK33
 GSK36
 GSKCW24
 GSKWEA12

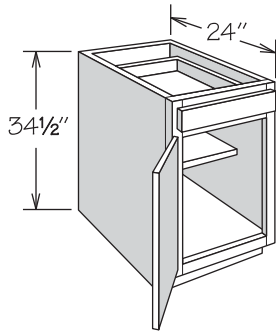
15" DEEP

GSK12-15
 GSK15-15
 GSK18-15
 GSK21-15
 GSK24-15
 GSK27-15
 GSK30-15
 GSK33-15
 GSK36-15
 GSKCW27

BASE CABINETS



Base Cabinet • 1 Door and 1 Drawer



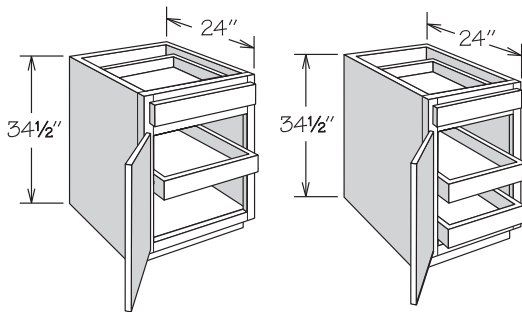
- Half-depth adjustable shelf
- Hinged left and can be reversed in the field

1 SHELF

B12
B15
B18
B21
B24

| |
|-----|
| CFO |
| FDS |
| IF |
| RD |
| RTK |
| VTK |

Base Cabinet • 1 Door, 1 Drawer and Sliding Shelves



1 SLIDING SHELF

2 SLIDING SHELVES

- Sliding shelves are not adjustable
- Engineered wood sliding shelves with solid hardwood front, MDF bottom, and side-mounted drawer glides
- Hinged left and can be reversed in the field

1 SLIDING SHELF

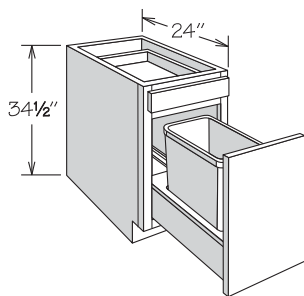
B12 SS1
B15 SS1
B18 SS1
B21 SS1
B24 SS1

2 SLIDING SHELVES

B12 SS2
B15 SS2
B18 SS2
B21 SS2
B24 SS2

| |
|-----|
| RD |
| RTK |
| VTD |
| VTK |

Base Cabinet • 1 Drawer and Door with Wastebasket Pull-Out



1 WASTEBASKET

- Wastebasket pull-out features heavy-duty full-extension glides (100 pound rated)
- Wastebasket rests in a natural finish wood frame
- BWBB15 features one silver plastic 35-quart capacity bin
- BWBB15-2 features two silver plastic 27-quart capacity bins
- BWBB18-2 and BWBB21-2 feature two silver plastic 35-quart capacity bins
- Decorative hardware strongly recommended

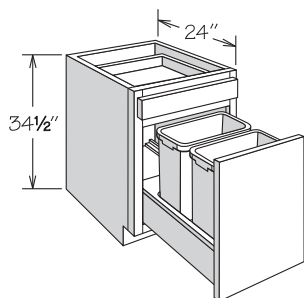
1 WASTEBASKET

BWBB15

2 WASTEBASKETS

BWBB15-2
BWBB18-2
BWBB21-2

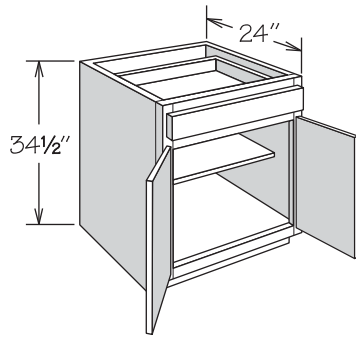
| |
|-----|
| IF |
| RTK |
| VTK |



2 WASTEBASKETS

Base Cabinet • 2 Butt Doors and 1 Drawer

| |
|-----|
| CFO |
| FDS |
| IF |
| RD |
| RTK |
| VTK |



- Half-depth adjustable shelf

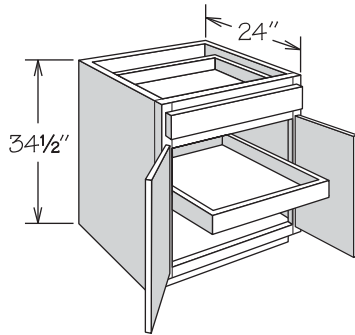
1 SHELF

B24 BUTT
B27 BUTT
B30 BUTT

B33 BUTT
B36 1TD BUTT

Base Cabinet • 2 Butt Doors, 1 Drawer and Sliding Shelves

| |
|-----|
| RD |
| RTK |
| VTD |
| VTK |



- Sliding shelves are not adjustable
- Engineered wood sliding shelves with solid hardwood front, MDF bottom, and side-mounted drawer glides

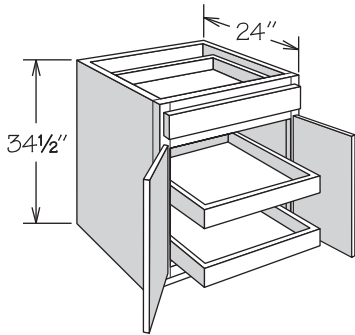
1 SLIDING SHELF

B24 SS1 BUTT
B27 SS1 BUTT
B30 SS1 BUTT
B33 SS1 BUTT
B36 SS1 1TD BUTT

2 SLIDING SHELVES

B24 SS2 BUTT
B27 SS2 BUTT
B30 SS2 BUTT
B33 SS2 BUTT
B36 SS2 1TD BUTT

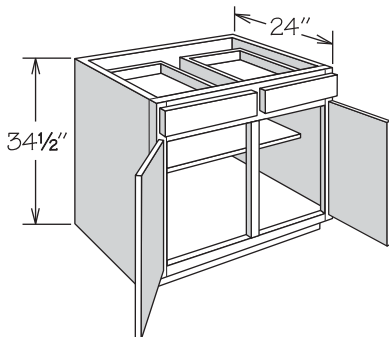
1 SLIDING SHELF



2 SLIDING SHELVES

Base Cabinet • 2 Doors and 2 Drawers

| |
|-----|
| CFO |
| FDS |
| IF |
| RD |
| RTK |
| VTK |



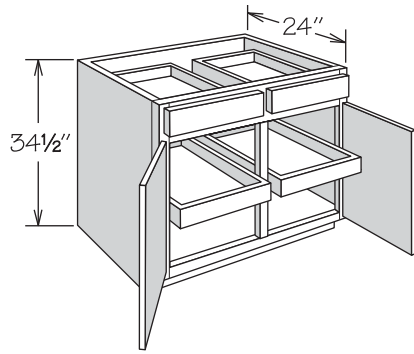
- Half-depth adjustable shelf
- Center support for shelf provided

1 SHELF

B39
B42
B48

Base Cabinet • 2 Doors, 2 Drawers and Sliding Shelves

| |
|-----|
| RD |
| RTK |
| VTD |
| VTK |



2 SLIDING SHELVES

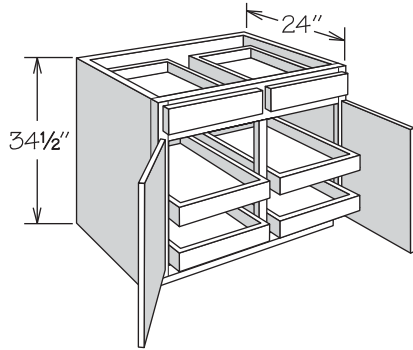
- Sliding shelves are not adjustable
- Engineered wood sliding shelves with solid hardwood front, MDF bottom, and side-mounted drawer glides

2 SLIDING SHELVES

B39 SS1
B42 SS1
B48 SS1

4 SLIDING SHELVES

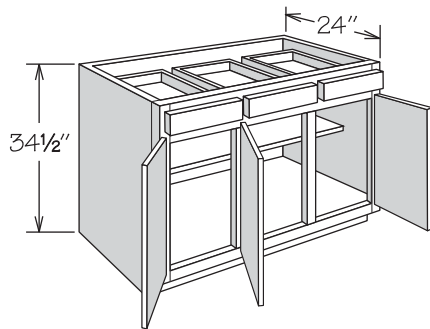
B39 SS2
B42 SS2
B48 SS2



4 SLIDING SHELVES

Base Cabinet • 3 Doors and 3 Drawers

| |
|-----|
| CFO |
| FDS |
| IF |
| RD |
| RTK |
| VTK |



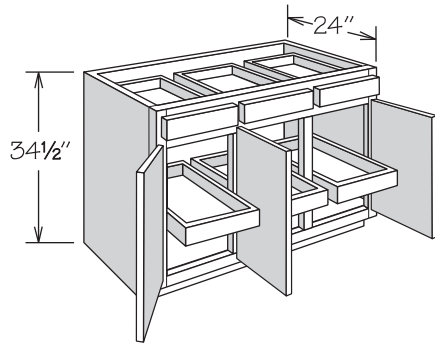
- Half-depth adjustable shelf
- Center support for shelf provided
- Hinged as shown - can be reversed in the field

1 SHELF

B45

Base Cabinet • 3 Doors, 3 Drawers and Sliding Shelves

| |
|-----|
| RD |
| RTK |
| VTD |
| VTK |



3 SLIDING SHELVES

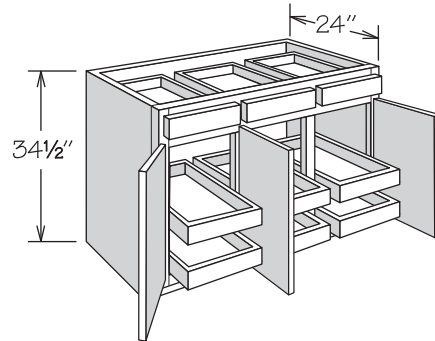
- Sliding shelves are not adjustable
- Engineered wood sliding shelves with solid hardwood front, MDF bottom, and side-mounted drawer glides
- Hinged as shown – can be reversed in the field

3 SLIDING SHELVES

B45 SS1

6 SLIDING SHELVES

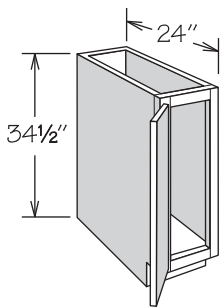
B45 SS2



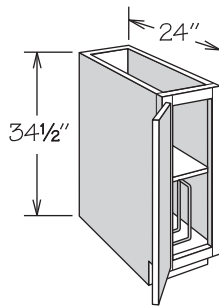
6 SLIDING SHELVES

Full-Height Base Cabinet • 1 Door

| |
|-------|
| CFO ■ |
| RD |
| RTK |
| VTK |



NO SHELF



1 SHELF & TRAY DIVIDER

- Full-height door
- Recessed Toe Kick Option available left (RTKL) or right (RTKR) only
- TB9 TDS is only available with RD-23 through RD-14
- TB9 TDS features full-depth adjustable shelf (S924) and Tray Divider (TD3) packaged separately for field installation
- Hinged left and can be reversed in the field

NO SHELF

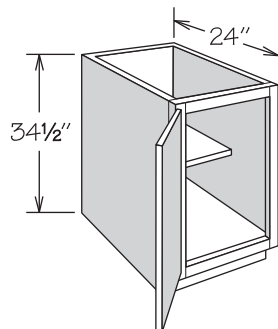
TB9 ■

1 SHELF & TRAY DIVIDER

TB9 TDS

Full-Height Base Cabinet • 1 Door

| |
|-----|
| CFO |
| FDS |
| RD |
| RTK |
| VTK |



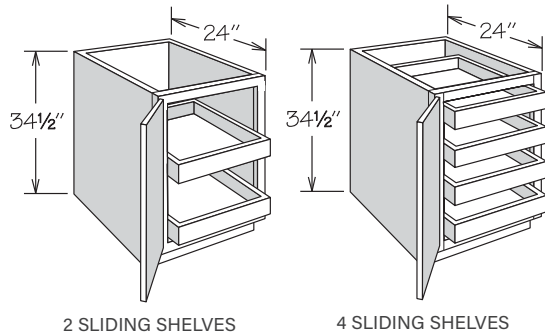
- Half-depth adjustable shelf
- Full-height door
- Hinged left and can be reversed in the field

1 SHELF

B12 FH
B15 FH
B18 FH
B21 FH
B24 FH

Full-Height Base Cabinet • 1 Door and Sliding Shelves

| |
|-----|
| RD |
| RTK |
| VTK |



- Full-height door
- Sliding shelves are not adjustable
- Engineered wood sliding shelves with solid hardwood front, MDF bottom, and side-mounted drawer glides
- Distance between two sliding shelves is 10 ¹³/₁₆"
- Distance between four sliding shelves is 4 ⁷/₁₆"
- Hinged left and can be reversed in the field

2 SLIDING SHELVES

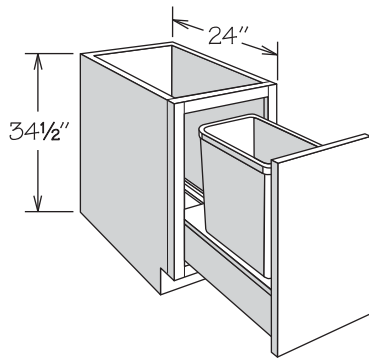
B12 FH SS2
B15 FH SS2
B18 FH SS2
B21 FH SS2
B24 FH SS2

4 SLIDING SHELVES

B12 FH SS4
B15 FH SS4
B18 FH SS4
B21 FH SS4
B24 FH SS4

Full-Height Base Cabinet • 1 Door with Wastebasket Pull-Out

| |
|-----|
| RTK |
| VTK |



1 WASTEBASKET

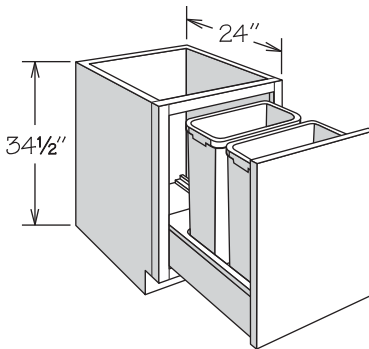
- Wastebasket pull-out features heavy-duty full-extension glides (100 pound rated)
- Full-height door
- Wastebasket rests in a natural finish wood frame
- BWBB15 FH and BWBB18 FH features one silver plastic 50-quart capacity bin
- BWBB21-2 FH features two silver plastic 50-quart capacity bins
- Decorative hardware strongly recommended

1 WASTEBASKET

BWBB15 FH
BWBB18 FH

2 WASTEBASKETS

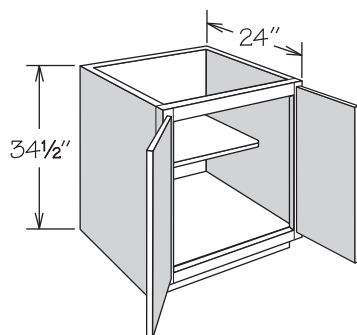
BWBB21-2 FH



2 WASTEBASKETS

Full-Height Base Cabinet • 2 Butt Doors

| |
|-----|
| CFO |
| FDS |
| RD |
| RTK |
| VTK |



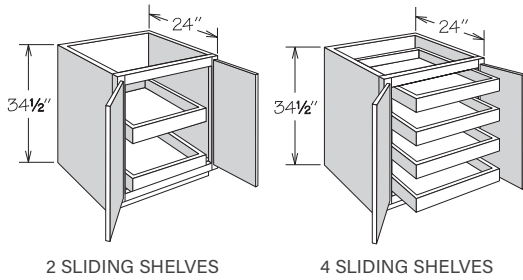
- Half-depth adjustable shelf
- Full-height butt doors

1 SHELF

B24 BUTT FH
B27 BUTT FH
B30 BUTT FH
B33 BUTT FH
B36 BUTT FH

Full-Height Base Cabinet • 2 Butt Doors and Sliding Shelves

| |
|-----|
| RD |
| RTK |
| VTK |



- Full-height butt doors
- Sliding shelves are not adjustable
- Engineered wood sliding shelves with solid hardwood front, MDF bottom, and side-mounted drawer glides
- Distance between two sliding shelves is 10¹³/₁₆"
- Distance between four sliding shelves is 4⁷/₁₆"

2 SLIDING SHELVES

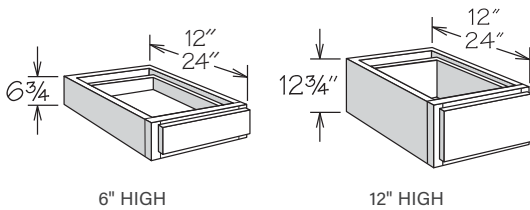
B24 BUTT FH SS2
B27 BUTT FH SS2
B30 BUTT FH SS2
B33 BUTT FH SS2
B36 BUTT FH SS2

4 SLIDING SHELVES

B24 BUTT FH SS4
B27 BUTT FH SS4
B30 BUTT FH SS4
B33 BUTT FH SS4
B36 BUTT FH SS4

Furniture Drawer Cabinet • 1 Drawer

| |
|------|
| CFO |
| RD ■ |
| VTK |



- 6" high features one standard drawer and 12" high features one large drawer
- 24" deep Furniture Drawer Cabinets are only available with RD-23 through RD-13
- Bottom of cabinet frame must be fully supported

6" HIGH • 1 DRAWER

12" Deep

FD121206
FD151206
FD181206
FD211206
FD241206
FD271206
FD301206
FD331206
FD361206

24" Deep

FD122406 ■
FD152406 ■
FD182406 ■
FD212406 ■
FD242406 ■
FD272406 ■
FD302406 ■
FD332406 ■
FD362406 ■

12" HIGH • 1 DRAWER

12" Deep

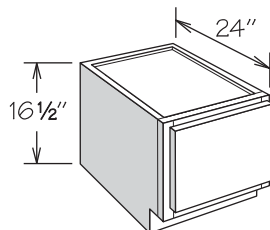
FD121212
FD151212
FD181212
FD211212
FD241212
FD271212
FD301212
FD331212
FD361212

24" Deep

FD122412 ■
FD152412 ■
FD182412 ■
FD212412 ■
FD242412 ■
FD272412 ■
FD302412 ■
FD332412 ■
FD362412 ■

Pedestal Drawer Cabinet • 1 Drawer

| |
|-----|
| CFO |
| RD |
| RTK |
| VTK |

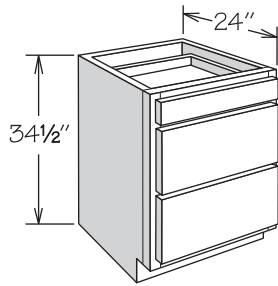


- One large drawer
- Features solid top

1 DRAWER

PD1217 1DWR
PD1517 1DWR
PD1817 1DWR
PD2117 1DWR
PD2417 1DWR
PD2717 1DWR
PD3017 1DWR
PD3317 1DWR
PD3617 1DWR

Drawer Base Cabinet • 3 Drawers



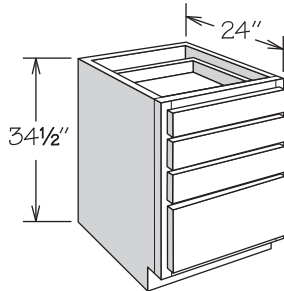
- One standard and two large drawers

| |
|-----|
| CFO |
| RD |
| RTK |
| VTD |
| VTK |

3 DRAWERS

DB12
DB15
DB18
DB21
DB24
DB27
DB30
DB33
DB36 1TD

Drawer Base Cabinet • 4 Drawers



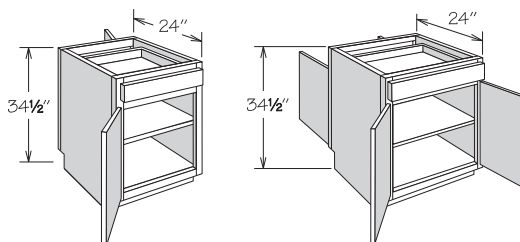
- One large and three standard drawers

| |
|-----|
| CFO |
| RD |
| RTK |
| VTD |
| VTK |

4 DRAWERS

DB12 4DWR
DB15 4DWR
DB18 4DWR
DB21 4DWR
DB24 4DWR

Peninsula Base • 1 Drawer



2 DOORS

4 BUTT DOORS

- Full-depth adjustable shelf
- Drawer accessible on one side only
- Panel on opposite side of drawer
- When selecting the Recessed Toe Kick Option, the drawer side indicates the front of the cabinet
- Single door cabinets are hinged left and can be reversed in the field

| |
|-----|
| RD |
| RTK |
| VTD |
| VTK |

2 DOORS

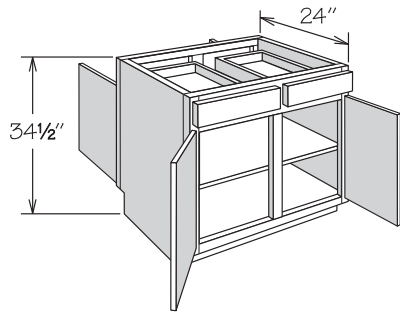
PB12
PB18
PB24

4 BUTT DOORS

PB24 BUTT
PB30 BUTT
PB36 1TD BUTT

Peninsula Base • 2 Drawers

| |
|-----|
| RD |
| RTK |
| VTD |
| VTK |

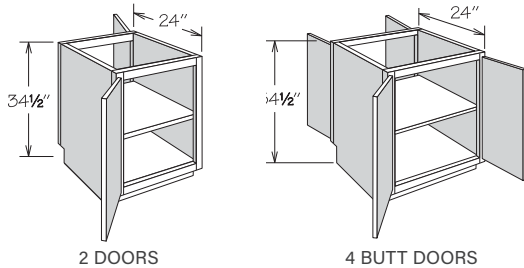


- Full-depth adjustable shelf
- Drawers accessible on one side only
- Features two panels on opposite side of drawers
- When selecting the Recessed Toe Kick Option, the drawer side indicates the front of the cabinet

4 DOORS
PB42

Full-Height Peninsula Base

| |
|-----|
| RD |
| RTK |
| VTK |



2 DOORS

4 BUTT DOORS

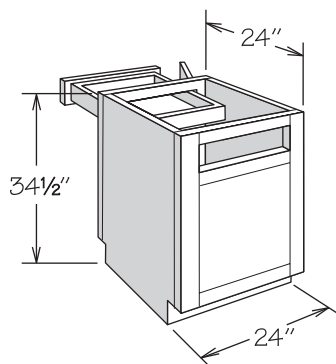
- Full-height doors
- Full-depth adjustable shelf
- Single door cabinets are hinged left and can be reversed in the field

2 DOORS
PB12 FH
PB18 FH

4 BUTT DOORS
PB24 BUTT FH
PB30 BUTT FH
PB36 BUTT FH

Blind Peninsula Corner Base

| |
|-----|
| FDS |
| RD |

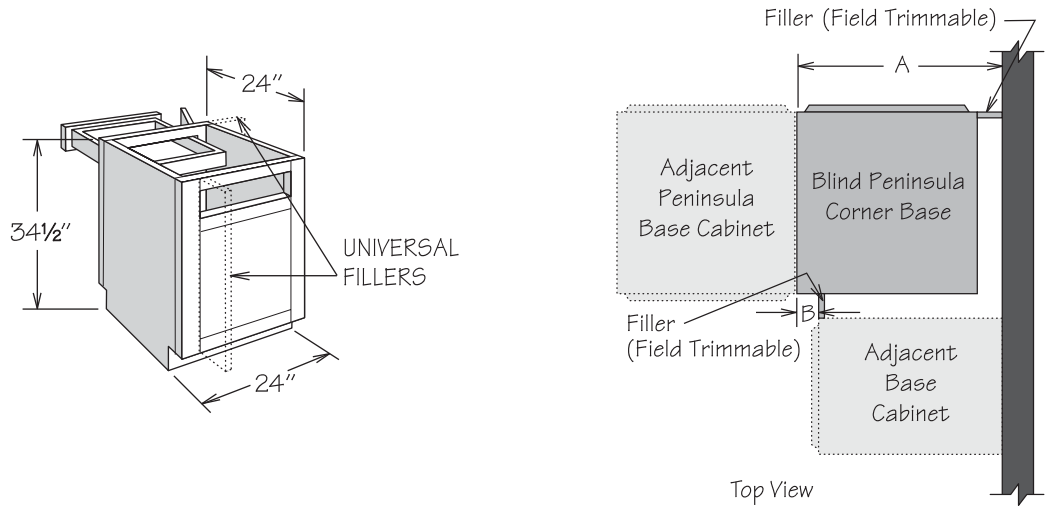


- Half-depth adjustable shelf
- Can be installed left or right
- Universal Fillers are recommended for use between PBC24 and wall and adjoining base cabinet or appliance for hardware clearance and proper door operation
- Cabinet may require pulling from wall – refer to the chart below for specifications
- Roll-out accessories are not recommended
- Must order Universal Fillers separately
- PBC24 is hinged left and can be reversed in the field

1 DOOR
PBC24

2 BUTT DOORS
PBC24 BUTT

BLIND PENINSULA CORNER BASE INSTALLATION CHART



Full Overlay Door Styles

Full overlay door styles require decorative hardware, which has been calculated into dimensions.

*Must use these dimensions if optional Overlay Fillers will be used.

| Cabinet | Actual Cabinet Width | Door Opening | Door(s) | Wall Space A | | | Exposed Frame B | | Filler (at wall) | |
|------------|----------------------|----------------------------------|-----------------|----------------------------------|-------------------------------|-------------|---------------------------------|-------------|---------------------------------|-------|
| | | | | Min. Space | Max. Pull | Max. Space* | Min. Space | Max. Space* | Min. | Max.* |
| PBC24 | 24" | 20 ³ / ₄ " | DR2424 | 26 ¹ / ₄ " | ³ / ₄ " | 27" | 2 ¹ / ₄ " | 3" | 2 ¹ / ₄ " | 3" |
| PBC24 BUTT | 24" | 20 ³ / ₄ " | DR1224 BUTT (2) | 26 ¹ / ₄ " | ³ / ₄ " | 27" | 2 ¹ / ₄ " | 3" | 2 ¹ / ₄ " | 3" |

Partial Overlay Door Styles

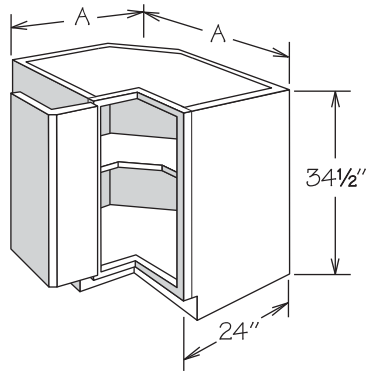
Wall Space A requirements include optional decorative hardware clearance.

1/4" may be deducted if decorative hardware is not used.

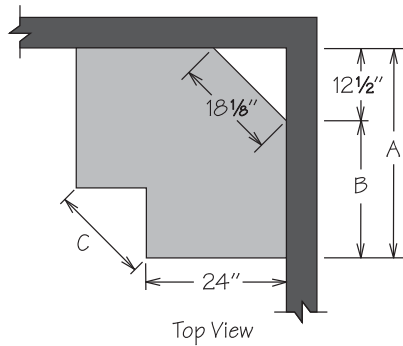
| Cabinet | Actual Cabinet Width | Door Opening | Door(s) | Wall Space A | | | Exposed Frame B | | Filler (at wall) | |
|------------|----------------------|----------------------------------|-----------------|----------------------------------|---------------------------------|------------|---------------------------------|------------|---------------------------------|------|
| | | | | Min. Space | Max. Pull | Max. Space | Min. Space | Max. Space | Min. | Max. |
| PBC24 | 24" | 20 ³ / ₄ " | DR2424 | 25 ³ / ₈ " | 1 ⁵ / ₈ " | 27" | 1 ³ / ₈ " | 3" | 1 ³ / ₈ " | 3" |
| PBC24 BUTT | 24" | 20 ³ / ₄ " | DR1224 BUTT (2) | 25 ³ / ₈ " | 1 ⁵ / ₈ " | 27" | 1 ³ / ₈ " | 3" | 1 ³ / ₈ " | 3" |

Base Easy Reach

VTK



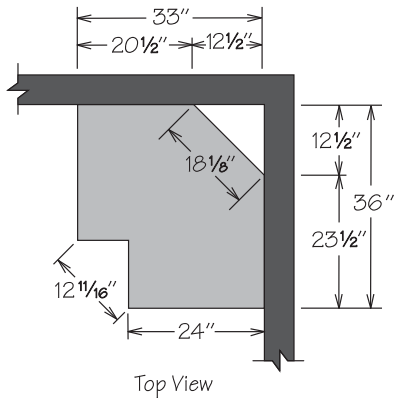
- Features a solid top
- One adjustable half-depth shelf (non-removable)
- All door styles must be ordered hinged left or right
- Sides are finished
- Stile width and outside profile of both doors at door-to-door hinge may vary from standard dimension and profile for proper door function
- Doors open 170°
- Recommend a minimum of 32" to fit through doorway
- Additional space recommended if appliance is installed on the hinge side of this cabinet for proper door operation - decorative hardware should be taken into consideration for the overall depth of appliance



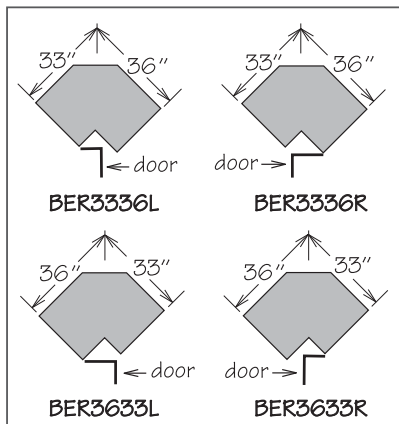
| SHELF | A | B | C |
|-------|-----|---------|---------|
| BER33 | 33" | 20 1/2" | 10 7/8" |
| BER36 | 36" | 23 1/2" | 14 5/8" |

Asymmetrical Base Easy Reach

VTK



- Features a solid top
- One adjustable half-depth shelf (non-removable)
- All door styles must be ordered hinged left or right
- Sides are finished
- Stile width and outside profile of both doors at door-to-door hinge may vary from standard dimension and profile for proper door function
- Doors open 170°
- Recommend a minimum of 32" to fit through doorway
- Additional space recommended if appliance is installed on the hinge side of this cabinet for proper door operation - decorative hardware should be taken into consideration for the overall depth of appliance

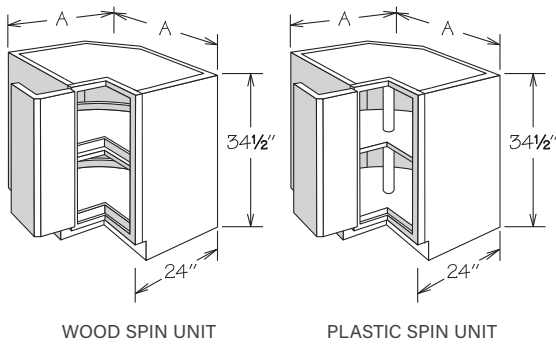


SHELF

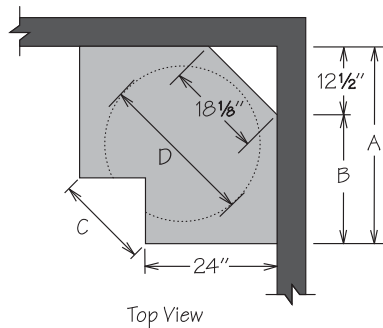
BER3336
BER3633

Base Super Susan • Spin Unit

VTK



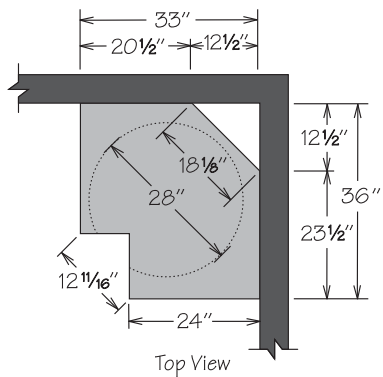
- Features a solid top
- All door styles must be ordered hinged left or right
- Sides are finished
- Stile width and outside profile of both doors at door-to-door hinge may vary from standard dimension and profile for proper door function
- Doors open 170°
- Recommend a minimum of 32" to fit through doorway
- Additional space recommended if appliance is installed on the hinge side of this cabinet for proper door operation – decorative hardware should be taken into consideration for the overall depth of appliance
- Wood Spin Units feature:
 - » One fixed spin unit mounted on cabinet floor
 - » One spin unit attached to 3/4" adjustable shelf
 - » Natural wood finish with 1" lip
- Plastic Spin Units feature:
 - » Two spin shelves with pole (top shelf adjustable)
 - » White high strength plastic shelves



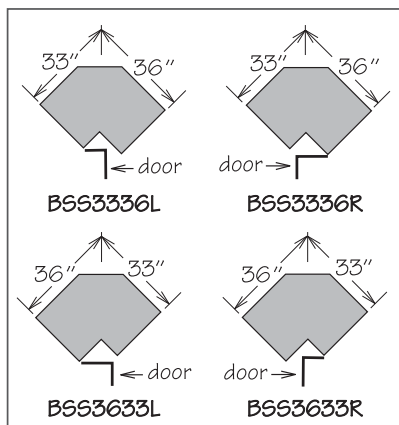
| | A | B | C | D |
|--------------------------|-----|---------|----------|-----|
| Wood Spin Unit | | | | |
| BSS33 WD | 33" | 20 1/2" | 10 7/16" | 28" |
| BSS36 WD | 36" | 23 1/2" | 14 5/8" | 32" |
| Plastic Spin Unit | | | | |
| BSS33 | 33" | 20 1/2" | 10 7/16" | 28" |
| BSS36 | 36" | 23 1/2" | 14 5/8" | 32" |

Asymmetrical Base Super Susan • Spin Unit

VTK



- Features a solid top
- All door styles must be ordered hinged left or right
- Sides are finished
- Stile width and outside profile of both doors at door-to-door hinge may vary from standard dimension and profile for proper door function
- Doors open 170°
- Recommend a minimum of 32" to fit through doorway
- Additional space recommended if appliance is installed on the hinge side of this cabinet for proper door operation – decorative hardware should be taken into consideration for the overall depth of appliance
- Wood Spin Units feature:
 - » One fixed spin unit mounted on cabinet floor
 - » One spin unit attached to 3/4" adjustable shelf
 - » Natural wood finish with 1"
- Plastic Spin Units features:
 - » Two spin shelves with pole (top shelf adjustable)
 - » White high strength plastic shelves

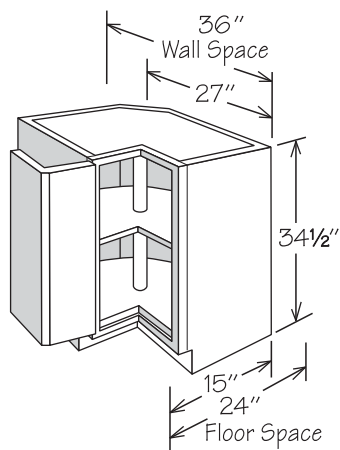


WOOD SPIN UNIT
BSS3336 WD
BSS3633 WD

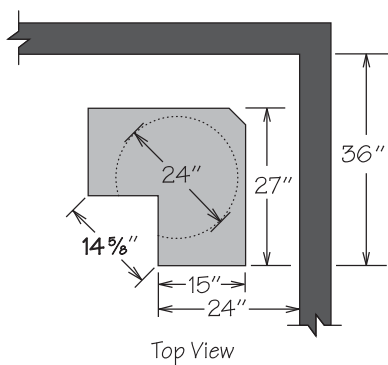
PLASTIC SPIN UNIT
BSS3336
BSS3633

Corner Base Carousel • Spin Unit

VTK



- Features a solid top
- All door styles must be ordered hinged left or right
- Sides are unfinished
- Stile width and outside profile of both doors at door-to-door hinge may vary from standard dimension and profile for proper door function
- Doors open 170°
- If unit has an exposed side, order end panel separately
- Additional support for countertop in back is necessary
- Additional space recommended if appliance is installed on the hinge side of this cabinet for proper door operation – decorative hardware should be taken into consideration for the overall depth of appliance
- Unit must be pulled to install in a 36" x 36" space
- Wood Spin Units feature:
 - » Two natural finish solid hardwood spin shelves with pole (top shelf adjustable)
- Plastic Spin Units feature:
 - » Two white high strength plastic spin shelves with pole (top shelf adjustable)

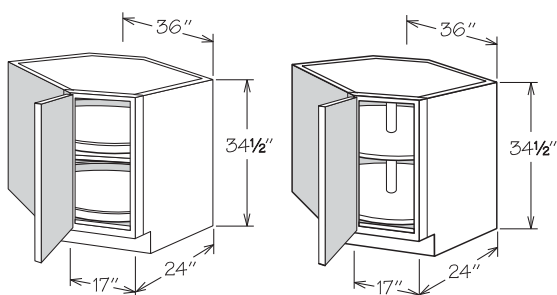


WOOD SPIN UNIT
CAR36 WD

PLASTIC SPIN UNIT
CAR36

Corner Base • Spin Unit

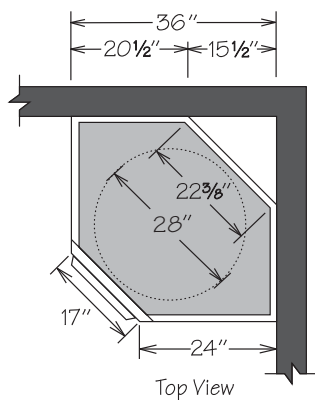
VTK



WOOD SPIN UNIT

PLASTIC SPIN UNIT

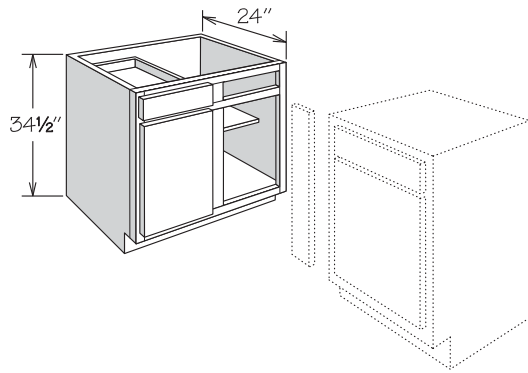
- Sides are finished
- Cabinet requires a minimum of 34" to fit through doorway
 - » White high strength plastic shelves
- Additional space recommended if appliance is installed on the hinge side of this cabinet for proper door operation – decorative hardware should be taken into consideration for the overall depth of appliance
- Cabinet features solid top
- Wood Spin Units feature:
 - » One fixed spin unit mounted on cabinet floor
 - » One spin unit attached to 3/4" adjustable shelf
 - » Natural wood finish with 1" lip
- Plastic Spin Units feature:
 - » Two spin shelves with pole (top shelf adjustable)
- Hinged left and can be reversed in the field



WOOD SPIN UNIT
CBS36 WD

PLASTIC SPIN UNIT
CBS36

Blind Corner Base



- Half-depth adjustable shelf
- Blind base door and drawer are installed in the left section
- Door and drawer can be reversed in the field as blind sections are identical
- Includes 1/8" panel to cover blind opening (field trim and install)
- Refer to the chart below for specifications
- Recessed Toe Kick Both Option (RTKB) available only
- Must order Universal Filler separately
- Center support for shelf provided (excluding BLB36/39)

| |
|-----|
| CFO |
| FDS |
| RD |
| RTK |
| VTK |

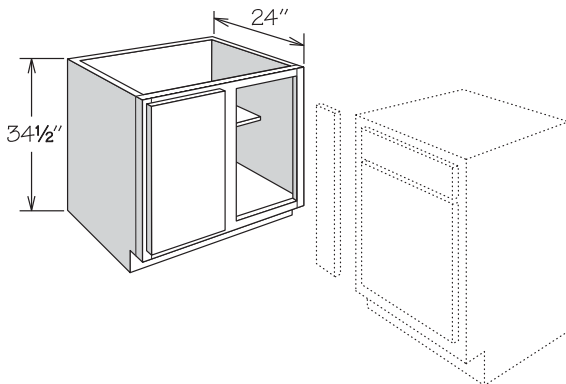
1 SHELF

BLB36/39
BLB39/42
BLB42/45
BLB45/48
BLB48/51

Full Height Blind Corner Base

NEW!

SIZES



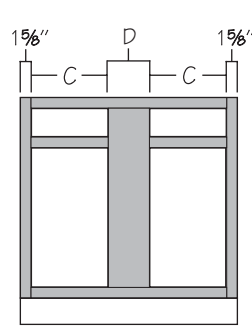
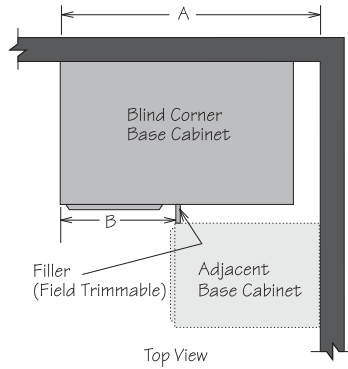
- Half-depth adjustable shelf
- Center support for shelf provided (excluding BLB36/39 FH)
- Blind base door is installed in the left section
- Door can be reversed in the field as blind sections are identical
- Includes 1/8" panel to cover blind opening (field trim and install)
- Refer to the chart for specifications
- Recessed Toe Kick Both Option (RTKB) available only
- Must order Universal Filler separately

| |
|-----|
| CFO |
| FDS |
| RD |
| RTK |
| VTK |

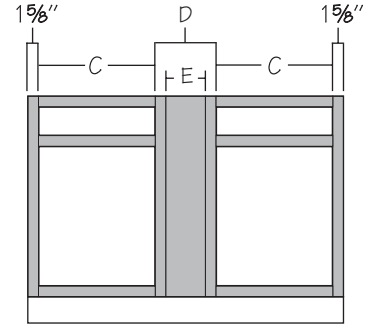
1 SHELF

BLB36/39 FH
BLB39/42 FH
BLB42/45 FH
BLB45/48 FH
BLB48/51 FH

BLIND CORNER BASE INSTALLATION CHART



BLB36/39 - BLB45/48
BLB36/39 FH - BLB42/45 FH



BLB45/48 FH, BLB48/51, BLB48/51 FH

Partial Overlay Door Styles

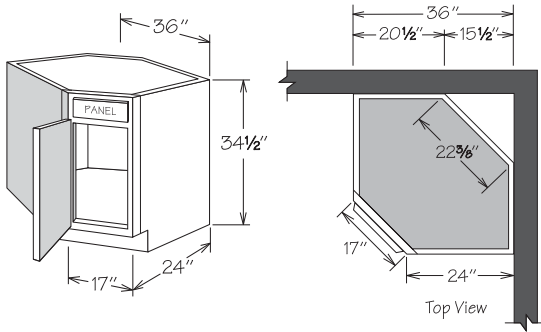
Wall Space A requirements include optional decorative hardware clearance.

1/4" may be deducted if decorative hardware is not used.

| Cabinet | Actual Cabinet Width | Wall Space A | | | Exposed Frame B | | C Door Opening | Door(s) | D | E |
|-------------|----------------------|----------------------------------|---------------------------------|---------------|----------------------------------|---------------|----------------------------------|---------|---------------------------------|----|
| | | Minimum Space | Maximum Pull | Maximum Space | Minimum Space | Maximum Space | | | | |
| BLB36/39 | 27" | 37 ³ / ₈ " | 2 ⁵ / ₈ " | 40" | 13 ³ / ₈ " | 16" | 8 ³ / ₄ " | DR1224 | 6 ¹ / ₄ " | - |
| BLB36/39 FH | 27" | 37 ³ / ₈ " | 2 ⁵ / ₈ " | 40" | 13 ³ / ₈ " | 16" | 8 ³ / ₄ " | DR1230 | 6 ¹ / ₄ " | - |
| BLB39/42 | 33" | 40 ³ / ₈ " | 2 ⁵ / ₈ " | 43" | 16 ³ / ₈ " | 19" | 11 ³ / ₄ " | DR1524 | 6 ¹ / ₄ " | - |
| BLB39/42 FH | 33" | 40 ³ / ₈ " | 2 ⁵ / ₈ " | 43" | 16 ³ / ₈ " | 19" | 11 ³ / ₄ " | DR1530 | 6 ¹ / ₄ " | - |
| BLB42/45 | 39" | 43 ³ / ₈ " | 2 ⁵ / ₈ " | 46" | 19 ³ / ₈ " | 22" | 14 ³ / ₄ " | DR1824 | 6 ¹ / ₄ " | - |
| BLB42/45 FH | 39" | 43 ³ / ₈ " | 2 ⁵ / ₈ " | 46" | 19 ³ / ₈ " | 22" | 14 ³ / ₄ " | DR1830 | 6 ¹ / ₄ " | - |
| BLB45/48 | 45" | 46 ³ / ₈ " | 2 ⁵ / ₈ " | 49" | 22 ³ / ₈ " | 25" | 17 ³ / ₄ " | DR2124 | 6 ¹ / ₄ " | - |
| BLB45/48 FH | 45" | 46 ³ / ₈ " | 2 ⁵ / ₈ " | 49" | 22 ³ / ₈ " | 25" | 17 ³ / ₄ " | DR2130 | 6 ¹ / ₄ " | 3" |
| BLB48/51 | 48" | 48" | 4" | 52" | 24" | 28" | 17 ³ / ₄ " | DR2124 | 9 ¹ / ₄ " | 6" |
| BLB48/51 FH | 48" | 48" | 4" | 52" | 24" | 28" | 17 ³ / ₄ " | DR2130 | 9 ¹ / ₄ " | 6" |

Corner Sink Base • 1 Door

VTK

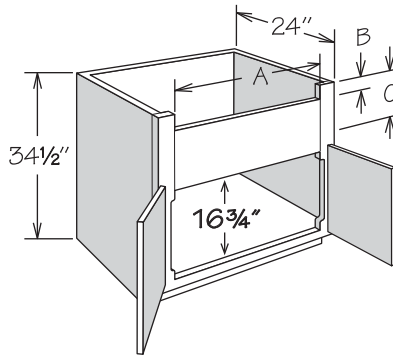


- No shelf
- Sides are finished
- Cabinet requires a minimum of 34" to fit through doorway
- Additional space recommended if appliance is installed on either side of this cabinet for proper appliance door operation
- Cabinet features solid top which must be field cut for sink installation as per manufacturer's specifications
- Maximum sink width is 22 3/4" if cut out is 4" back from face of front frame
- Refer to sink manufacturer's specifications for adequate clearance and required installation materials
- Hinged left and can be reversed in the field
- Touch Up Kit included

CSB36

Deep Sink/Range Base • 2 Butt Doors

RD
RTK
VTK

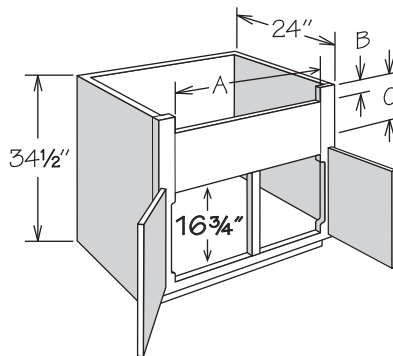


- No shelf
- Accommodates farm sinks
- Apron stiles are 3/8" wide and trimmable
- A cutout exists in the door area where the 3/8" stiles are routed to 1/8"
- Refer to sink or appliance manufacturer's specifications for adequate clearance and required installation materials
- Touch Up Kit included

| | A-MIN. | A-MAX. | B | C-POL |
|------------|---------|--------|--------|---------|
| DSB30 BUTT | 23 3/4" | 28" | 2 7/8" | 10 1/2" |
| DSB33 BUTT | 26 3/4" | 31" | 2 7/8" | 10 1/2" |
| DSB36 BUTT | 29 3/4" | 34" | 2 7/8" | 10 1/2" |

Deep Sink/Range Base • 2 Doors

RD
RTK
VTK

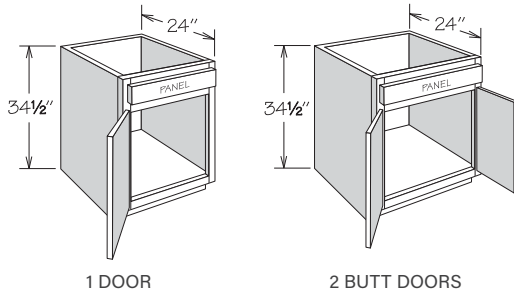


- No shelf
- Accommodates farm sinks
- Apron stiles are 3/8" wide and trimmable
- A cutout exists in the door area where the 3/8" stiles are routed to 1/8"
- Refer to sink or appliance manufacturer's specifications for adequate clearance and required installation materials
- Touch Up Kit included

| | A-MIN. | A-MAX. | B | C-POL |
|-------|---------|--------|--------|---------|
| DSB39 | 32 3/4" | 37" | 2 7/8" | 10 1/2" |

Sink/Cooktop Base

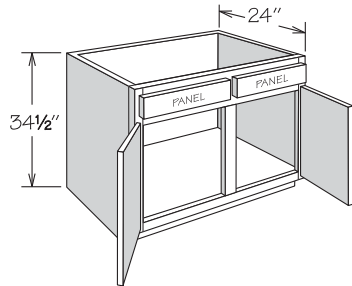
| |
|-----|
| RD |
| RTK |
| VTK |



1 DOOR

2 BUTT DOORS

- No shelf
- Full-height back
- Subtract 1 1/2" from width and depth for available sink bowl opening
- Refer to sink or appliance manufacturer's specifications for adequate clearance and required installation materials
- Touch Up Kit included
- Single door cabinets are hinged left and can be reversed in the field



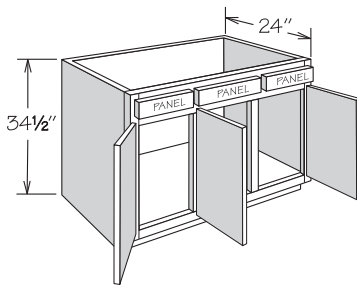
2 DOORS

1 DOOR

SB18
SB21
SB24

2 BUTT DOORS

SB24 BUTT
SB27 BUTT
SB30 BUTT
SB33 BUTT
SB36 BUTT



3 DOORS

2 DOORS

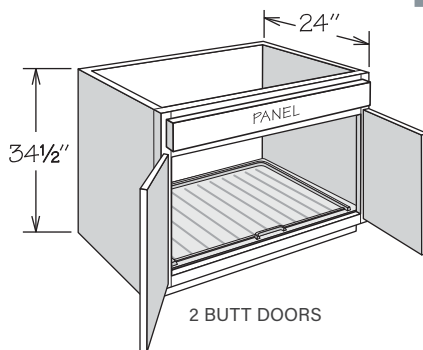
SB39
SB42
SB48

3 DOORS

SB45

Sink Base • 1 Sink Base Mat **NEW!** PRODUCT

| |
|-----|
| RD |
| RTK |
| VTK |



2 BUTT DOORS

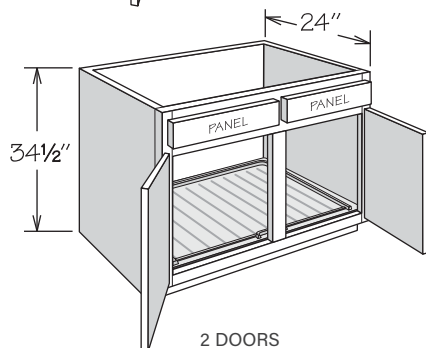
- No shelf
- Full-height back
- Subtract 1 1/2" from width and depth for available sink bowl opening
- Refer to sink or appliance manufacturer's specifications for adequate clearance and required installation materials
- Touch Up Kit included
- Sink Base Mat is shipped separately for field installation
- Sink Base Mat for SB39 is notched for center stile

2 BUTT DOORS

SB30 BUTT SBMAT
SB33 BUTT SBMAT
SB36 BUTT SBMAT

2 DOORS

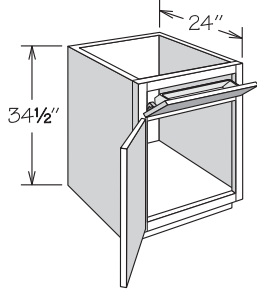
SB39 SBMAT



2 DOORS

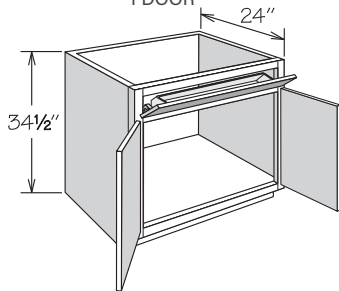
Sink Base • Stainless Tilt-Out Tray(s)

| |
|-----|
| RD |
| RTK |
| VTK |



1 DOOR

- No shelf
- Full-height back
- Subtract 1 1/2" from width and 3 3/4" from depth for available sink bowl opening
- Tilt-Out Trays are NOT dishwasher safe
- Refer to sink manufacturer's specifications for adequate clearance and required installation materials
- Touch Up Kit included
- Single door cabinets are hinged left and can be reversed in the field



2 BUTT DOORS

1 DOOR

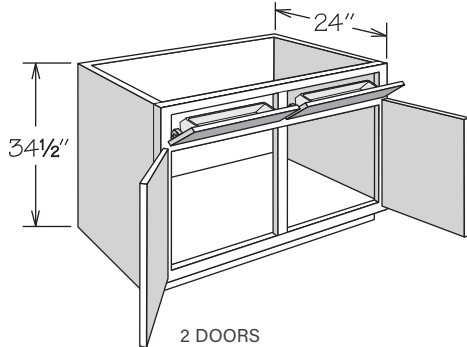
SB21 STO
SB24 STO

2 BUTT DOORS

SB24 BUTT STO
SB27 BUTT STO
SB30 BUTT STO
SB33 BUTT STO
SB36 BUTT STO

2 DOORS

SB39 STO
SB42 STO
SB48 STO

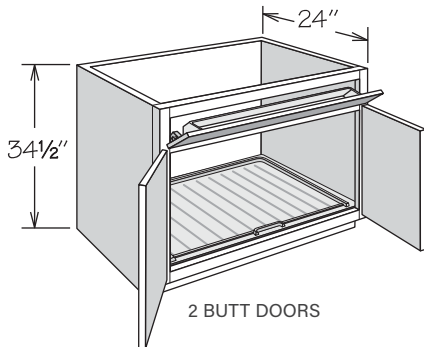


2 DOORS

Sink Base • 1 Sink Base Mat and Tilt-Out Tray(s)

NEW! PRODUCT

| |
|-----|
| RTK |
| VTK |



2 BUTT DOORS

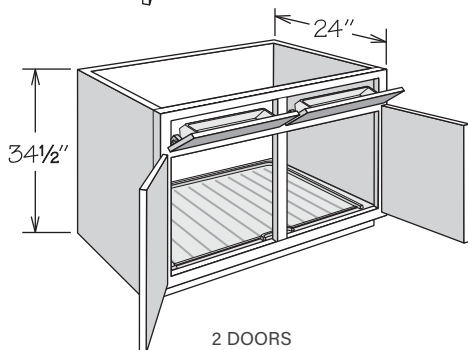
- No shelf
- Full-height back
- Subtract 1 1/2" from width and depth for available sink bowl opening
- Tilt-out Trays are NOT dishwasher safe
- Refer to sink manufacturer's specifications for adequate clearance and required installation materials
- Touch Up Kit included
- Sink Base Mat is shipped separately for field installation
- Sink Base Mat for SB39 is notched for center stile

2 BUTT DOORS

SB30 BUTT STO SBMAT
SB33 BUTT STO SBMAT
SB36 BUTT STO SBMAT

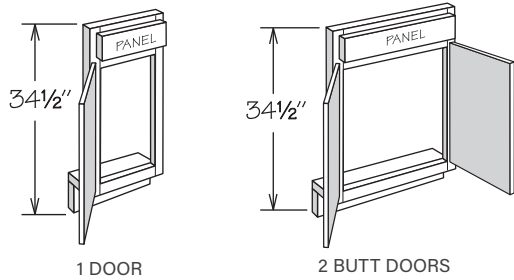
2 DOORS

SB39 STO SBMAT



2 DOORS

Sink/Cooktop Front



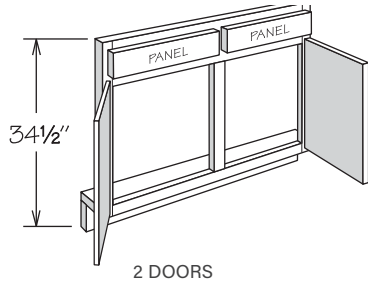
- SF45 is hinged as shown – can be reversed in the field
- Order floor and returns separately (field trimming may be required) – refer to Panel Section for availability (page 139)

1 DOOR

SF12
SF15
SF18
SF21
SF24

2 BUTT DOORS

SF24 BUTT
SF27 BUTT
SF30 BUTT
SF33 BUTT
SF36 BUTT

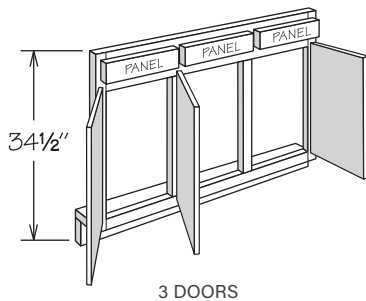


2 DOORS

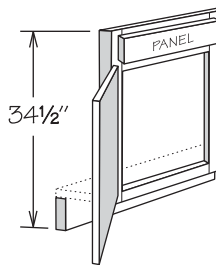
SF39
SF42
SF48

3 DOORS

SF45

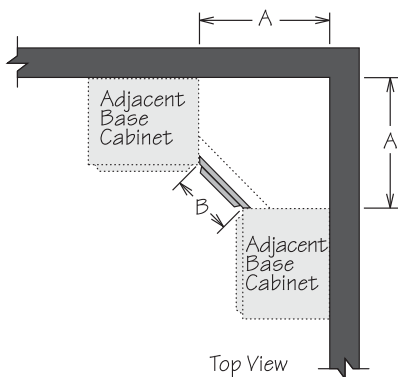


Corner Sink Front



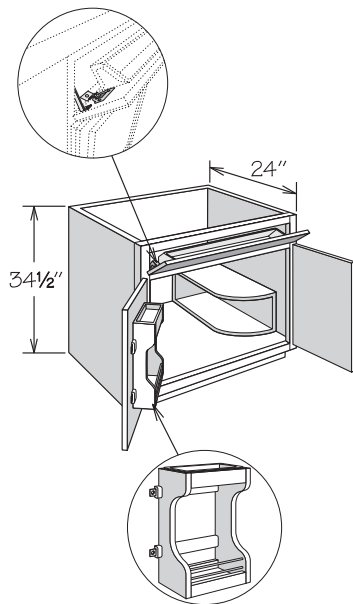
- Vertical edges of frame are mitered to attach to adjacent cabinet frames
- Order floor and returns separately (field trimming may be required) – refer to Panel Section for availability (page 139)
- Filler not required for installation

| | A | B |
|-------|------------------------------------|------------------------------------|
| CSF36 | 35 ³¹ / ₃₂ " | 16 ¹⁵ / ₁₆ " |
| CSF42 | 42 ¹¹ / ₃₂ " | 25 ¹⁵ / ₁₆ " |



Sink Base Multi-Storage Cabinet

| |
|-----|
| RTK |
| VTK |

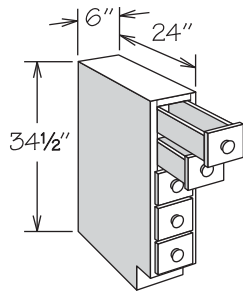


- **UPDATE:** Cabinet features:
 - » Factory installed Sink Base Door Storage Unit
 - » One Stainless Tilt-Out Tray
 - » Sink Base Multi-Storage Shelf (SBMSS) shipped separately for field installation left or right
- Full-height back
- Sink Base Multi-Storage Shelf measures 8 1/8" wide x 8" high x 17 1/2" deep
- Subtract 1 1/2" from width and 3 3/4" from depth for available sink bowl opening
- Tilt-Out Trays and Door Storage Unit trays are NOT dishwasher safe
- Refer to sink manufacturer's specifications for adequate clearance and required installation materials
- Touch Up Kit included

2 BUTT DOORS

SBMSC30 BUTT STO
SBMSC36 BUTT STO

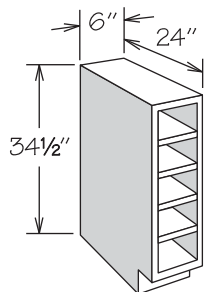
Base Spice Drawer Cabinet



- All door styles feature veneered engineered wood with exterior only finished to match cabinet box exterior
- Five individual full-depth drawers without glides
- Flush sides with no face frame or 1/4" reveals
- All wood drawer body with dovetail construction
- Wood door styles feature matching wood knobs
- Features 1/2" thick slab drawer fronts for all door styles

BSDC6

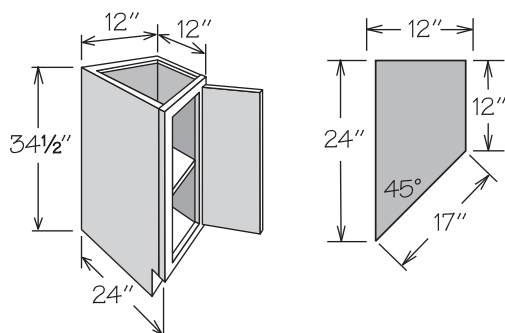
Base Wine Rack Cabinet



- All door styles feature veneered engineered wood finished to match cabinet box exterior
- Interior finished to match cabinet box exterior
- Accommodates five wine bottles (each opening measures: 5" high x 4 1/2" wide)
- 3/4" sides and shelves
- Flush sides with no face frame or 1/4" reveals
- Cannot be retrofitted with Base Spice drawers

BWRC6

Base End Angle • 1 Door



BEA12R FH is shown

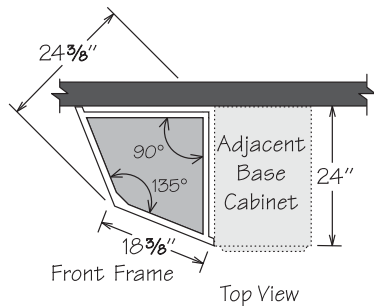
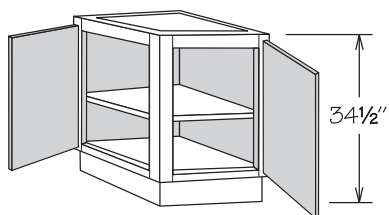
| |
|-----|
| RD |
| RTK |
| VTK |

- Full-height door
- One adjustable shelf
- Only available with RD-23 through RD-18
- Recessed Toe Kick Option (RTK) only available on 12" side
- Cabinet dimensions are for reference purposes ONLY - countertop must be measured and fabricated after cabinet installation

BEA12L FH
BEA12R FH

Base End Angle • 2 Doors

VTK

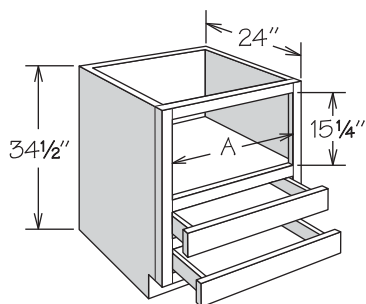


- Features a solid top
- One adjustable shelf
- Requires 24" x 24" space
- Cabinet dimensions are for reference purposes
ONLY – countertop must be measured and fabricated after cabinet installation

BEA24 FH

Base Microwave Cabinet • 2 Drawers

RD
RTK
VTK



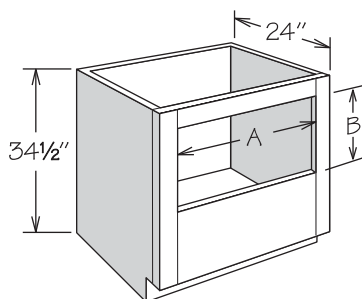
- Microwave opening finished to match cabinet box exterior
- Designed to accommodate countertop style microwave
- Features two standard depth drawers
- Accent molding recommended (order separately)
- Refer to appliance manufacturer's specifications for adequate clearances

A

| | |
|-------|---------|
| BMC24 | 20 3/4" |
| BMC27 | 23 3/4" |
| BMC30 | 26 3/4" |

Base Oven Cabinet Universal

RD
RTK
VTK



- Designed for mounting single oven below countertop
- 3" top rail is field removable and field trimmable
- 3 1/8" stiles
- Will accommodate certain cooktops (in conjunction with under-counter oven) or drop-in ranges
- Most ovens require a top rail of varying heights to create a finished look and clear the countertop overhang
- Refer to appliance manufacturer's specifications for adequate clearances and required installation materials

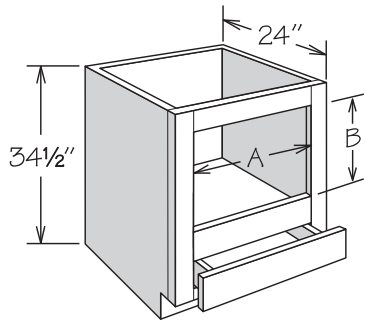
| | A-MIN. | A-MAX. | B-MIN. | B-MAX.* |
|--------|---------|-----------|---------|---------|
| BOCU27 | 20 3/4" | 24 15/16" | 18 1/4" | 29" |
| BOCU30 | 23 3/4" | 27 15/16" | 18 1/4" | 29" |
| BOCU33 | 26 3/4" | 30 15/16" | 18 1/4" | 29" |

*Trimming/removal of top rail required

Built-In Base Microwave Cabinet

NEW! PRODUCT

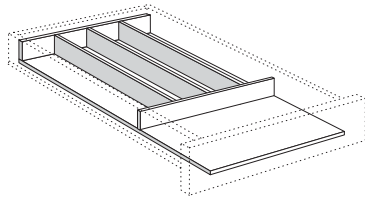
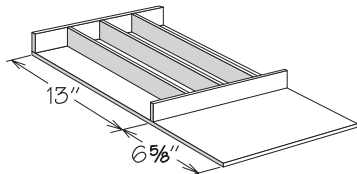
| |
|-----|
| RD |
| RTK |
| VTK |



- Designed to accommodate built-in style microwaves with trim kit
- Features one standard depth drawer
- 3 1/4" top rail is field trimmable
- 3 1/8" stiles
- Refer to appliance manufacturer's specifications for adequate clearances and required installation materials

| | A-MIN. | A-MAX. | B-MIN. | B-MAX. |
|--------|---------|--------|---------|---------|
| BBMC24 | 17 3/4" | 22" | 15 5/8" | 21 1/8" |
| BBMC27 | 20 3/4" | 25" | 15 5/8" | 21 1/8" |
| BBMC30 | 23 3/4" | 28" | 15 5/8" | 21 1/8" |

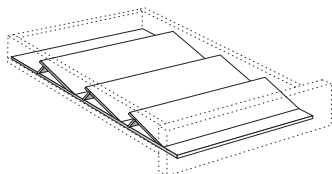
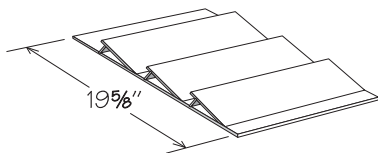
Cutlery Divider Kit



- Available as factory installed
- Field installation accessory
- Solid hardwood and plywood in natural finish
- Sized to fit in a dovetail drawer box or field trim to fit drawers with side-mounted glides
- Not sized to fit cabinets with Reduced Depth Option

| | NUMBER OF SECTIONS | WIDTH |
|--------|--------------------|---------|
| CDAK15 | 4 | 9 3/4" |
| CDAK18 | 5 | 12 3/4" |
| CDAK21 | 6 | 15 3/4" |
| CDAK24 | 6 | 18 3/4" |
| CDAK30 | 7 | 24 3/4" |
| CDAK36 | 8 | 30 3/4" |

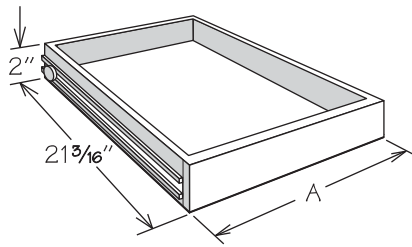
Spice Drawer Insert Kit



- Available as factory installed
- Field installation accessory
- Solid hardwood and plywood in natural finish
- Accommodates most spice containers (not included)
- Sized to fit in a dovetail drawer box or field trim to fit drawers with side-mounted glides
- Not sized to fit cabinets with Reduced Depth Option

| | WIDTH |
|---------|---------|
| SDIAK15 | 9 3/4" |
| SDIAK18 | 12 3/4" |
| SDIAK21 | 15 3/4" |
| SDIAK24 | 18 3/4" |

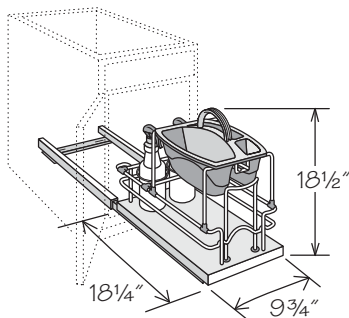
Sliding Shelf Kit



- Field installation accessory
- Engineered wood drawer with solid hardwood front, MDF bottom, and side-mounted drawer glides
- Includes sliding shelf, all glide hardware and instructions
- SSKs can be used with all single and double door base cabinets
- SSK drill template is required for all double door cabinets that have fixed center stile - contact Partner Team for drill template

| SLIDING SHELF KIT | A | 4 PACK SLIDING SHELF KIT | A |
|-------------------|---------|--------------------------|---------|
| SSK12 | 8 1/2" | USS12-4K | 8 1/2" |
| SSK15 | 11 1/2" | USS15-4K | 11 1/2" |
| SSK18 | 14 1/2" | USS18-4K | 14 1/2" |
| SSK19 | 16" | USS21-4K | 17 1/2" |
| SSK21 | 17 1/2" | USS24-4K | 20 1/2" |
| SSK24 | 20 1/2" | USS27-4K | 23 1/2" |
| SSK27 | 23 1/2" | USS30-4K | 26 1/2" |
| SSK30 | 26 1/2" | USS33-4K | 29 1/2" |
| SSK33 | 29 1/2" | USS36-4K | 32 1/2" |
| SSK36 | 32 1/2" | | |

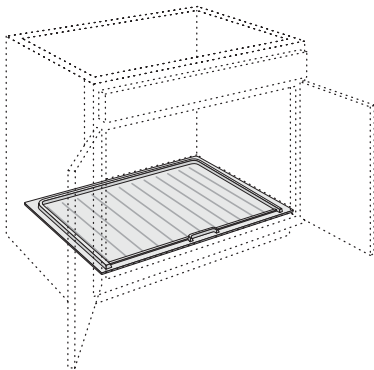
Cleaning Caddy Pullout Kit



- Features metal and wire CushionClose pull-out organizer with two 1L spray bottles and one removable gray cleaning caddy
- Unit is configurable so that spray bottles can be installed at the front or back
- Supports up to 75 pounds
- For use with 15" or wider base cabinet
- Mounts to cabinet floor
- For use in 24" deep base cabinets, 21" deep vanity cabinets or cabinets with RD-23 through RD-20

CCPOK

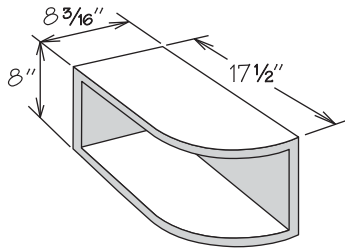
Sink Base Mat



- Field installation accessory
- Designed to funnel any leaks or spills out the front of the cabinet while protecting the cabinet floor
- Features flexible material in gray finish - easily trimmable
- Minor field trimming required for use in Deep Sink Base cabinets
- Not sized or trimmable to fit cabinets with Reduced Depth Option
- SBMAT39 is notched for center stile

SBMAT30
SBMAT33
SBMAT36
SBMAT39

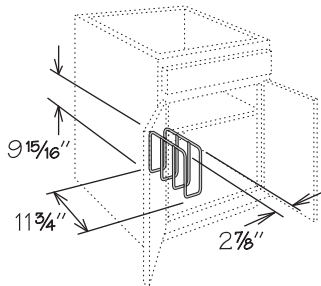
Sink Base Multi-Storage Shelf



- Field installation accessory
- 3/4" plywood with natural finish
- Invert for left or right installation

SBMSS

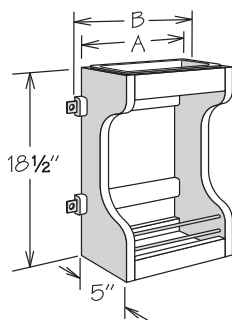
Cabinet Tray Divider



- Field installation accessory
- Chrome finish
- For use in 24" deep cabinets or cabinets with RD-23 through RD-14
- Mounting hardware included

TD3

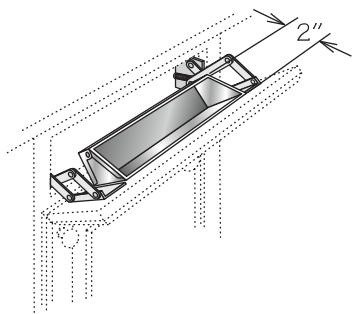
Sink Base Door Storage Unit



- Field installation accessory
- Natural finish solid wood
- Two fixed shelves
- Cannot be used with sliding shelf
- Full-depth shelf must be field trimmed to half-depth
- Removable white plastic tray is NOT dishwasher safe
- SBDSU15 mounts to 15" or 16" wide base door
- SBDSU18 mounts to 18" or 19" wide base door
- Not sized to fit Deep Sink Base (DSB) cabinet doors

| | A | B |
|---------|---------|---------|
| SBDSU15 | 9" | 10 1/2" |
| SBDSU18 | 10 1/2" | 13 1/2" |

Tilt-Out Tray Kit

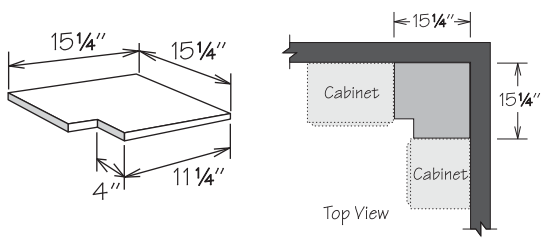


- Field installation accessory
- Kit features tray and one pair of scissor hinges
- Order units individually
- STO TRAY 11:
 - » Order one unit for SB18
- STO TRAY 14:
 - » Order one unit for SB21, SB24, SB27 or CSF42
 - » Order two units for SB39, SB42 or SB48
- STO TRAY 22:
 - » Order one unit for SB30, SB33, or SB36
- Sink front units match sink base sizes as noted above
- Tilt-Out Trays are NOT dishwasher safe

STAINLESS

- STO TRAY 11
- STO TRAY 14
- STO TRAY 22

Blind Corner Closure

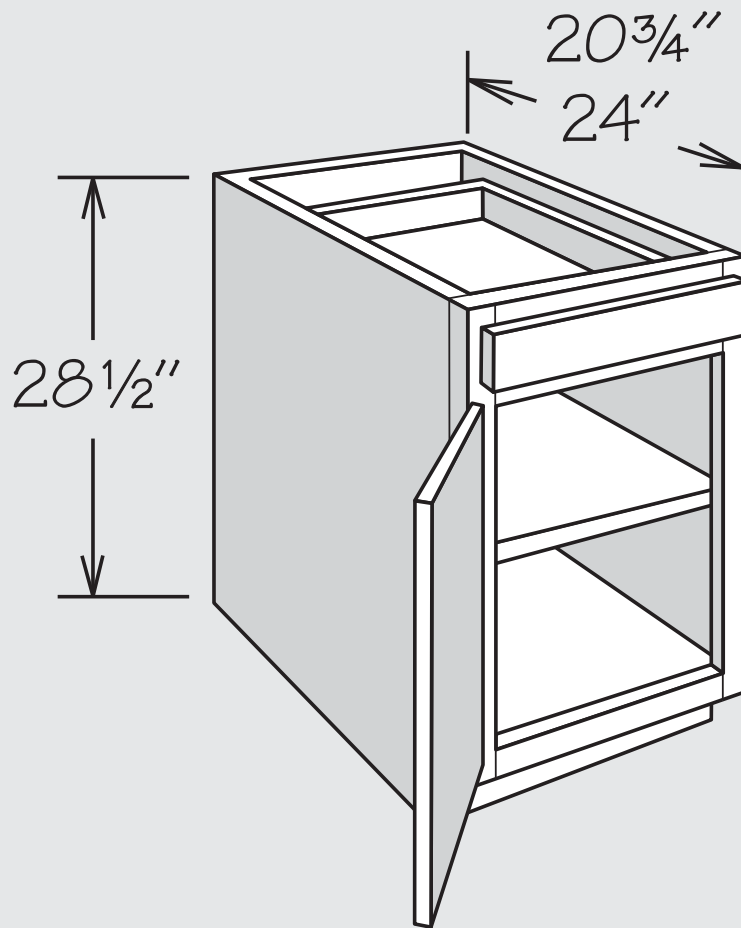


- Features 1/2" engineered wood with natural woodgrain look finished on both sides
- Field trimmable

BLC1515

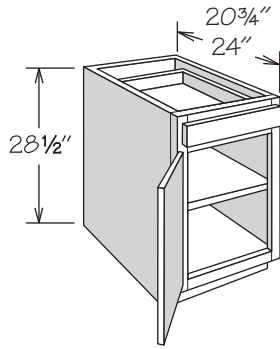
Notes

DESK CABINETS & BOOKSHELVES



Desk Cabinet • 1 Door and 1 Drawer

| |
|-----|
| CFO |
| RD |
| RTK |
| VTK |



- One full-depth adjustable shelf
- May be accessorized with one sliding shelf
- Recommend mounting sliding shelf on cabinet floor (order separately)

24" DEEP

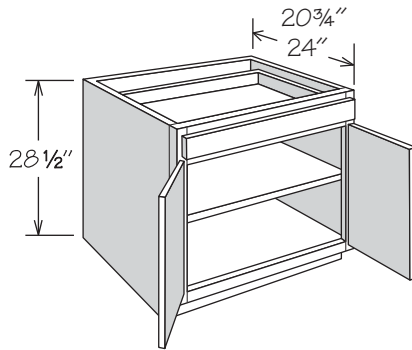
DDO1224
DDO1524
DDO1824
DDO2124

21" DEEP

DDO1221
DDO1521
DDO1821
DDO2121

Desk Cabinet • 2 Butt Doors and 1 Drawer

| |
|-----|
| CFO |
| RD |
| RTK |
| VTK |



- One full-depth adjustable shelf
- May be accessorized with one sliding shelf
- Recommend mounting sliding shelf on cabinet floor (order separately)

24" DEEP

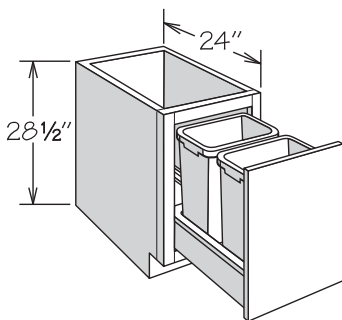
DDO2424 BUTT

21" DEEP

DDO2421 BUTT

Desk Cabinet • 1 Door with Wastebasket Pull-Out

| |
|-----|
| RTK |
| VTK |



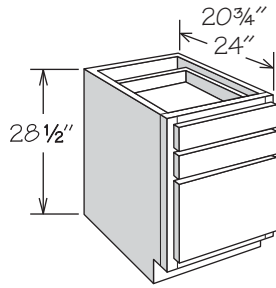
- Wastebasket pull-out features heavy-duty full-extension glides (100 pound rated)
- Full-height door
- Wastebasket rests in a natural finish wood frame
- Features two silver plastic 35-quart capacity bins
- Decorative hardware strongly recommended

24" DEEP - 2 WASTEBASKETS

DWBB1824 ■

Desk Drawer Cabinet • 3 Drawers

| |
|-----|
| CFO |
| RD |
| RTK |
| VTK |



- One large and two standard drawers
- Large drawer cannot be used as a file drawer

24" DEEP

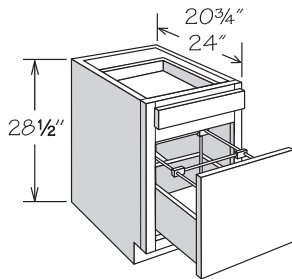
DDR1224
DDR1524
DDR1824
DDR2124
DDR2424

21" DEEP

DDR1221
DDR1521
DDR1821
DDR2121
DDR2421

Desk Cabinet • 1 Drawer and Door with File Pull-Out

| |
|-----|
| RTK |
| VTK |



- One standard top drawer
- Features one natural finish wood drawer body attached to door pull-out
- File unit packaged separately for field installation
- Will accept letter or legal-size hanging files

24" DEEP

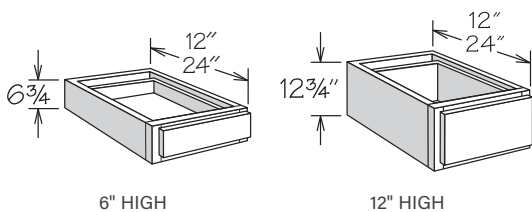
DFDC1824

21" DEEP

DFDC1821

Furniture Drawer Cabinet • 1 Drawer

| |
|------|
| CFO |
| RD ■ |



- 6" high features one standard drawer and 12" high features one large drawer
- 24" deep Furniture Drawer cabinets are only available with RD-23 through RD-13
- Bottom of cabinet frame must be fully supported

6" HIGH • 1 DRAWER

12" Deep

FD121206
FD151206
FD181206
FD211206
FD241206
FD271206
FD301206
FD331206
FD361206

24" Deep

FD122406 ■
FD152406 ■
FD182406 ■
FD212406 ■
FD242406 ■
FD272406 ■
FD302406 ■
FD332406 ■
FD362406 ■

12" HIGH • 1 DRAWER

12" Deep

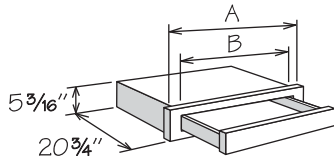
FD121212
FD151212
FD181212
FD211212
FD241212
FD271212
FD301212
FD331212
FD361212

24" Deep

FD122412 ■
FD152412 ■
FD182412 ■
FD212412 ■
FD242412 ■
FD272412 ■
FD302412 ■
FD332412 ■
FD362412 ■

Kneehole Drawer Cabinet

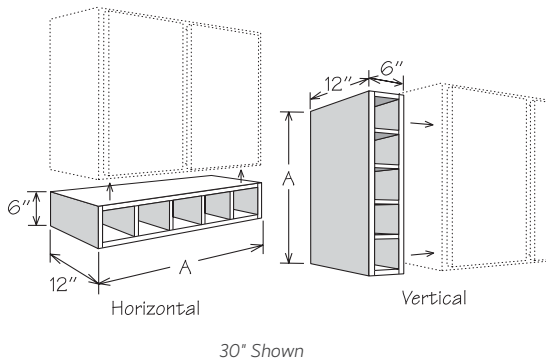
RD



- Designed for desk or vanity application
- Field trimmable in height to 4 3/4"
- Field trimmable in depth to 18" or available with RD-20 through RD-12
- Drawer front complements door style - refer to door style section

| | A | B | MAX. TRIM |
|----------|-----|---------|------------------------|
| KDC27/21 | 27" | 17 3/4" | 21" (3" each side) |
| KDC33/27 | 33" | 23 3/4" | 27" (3" each side) |
| KDC36/33 | 36" | 29 3/4" | 33" (1 1/2" each side) |

Storage Cube

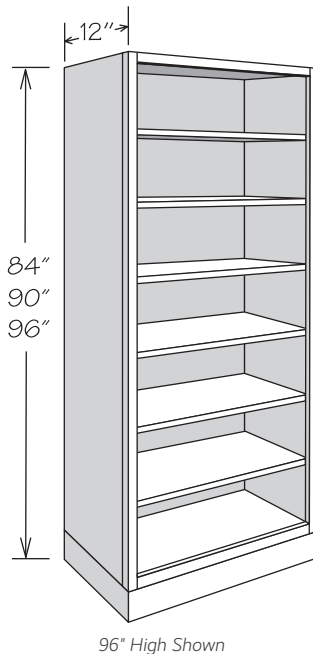


- Vertical installation may require the use of fillers and/or molding which must be ordered separately
- Opening size is 5" wide x 4 1/2" high (horizontal) which will accommodate most envelopes and various other office supplies
- All door styles feature 3/4" veneered engineered wood finished to match cabinet box exterior
- Flush sides with no face frame or 1/4" reveals
- Interior finished to match cabinet box exterior
- Cannot be retrofitted with Spice Drawer Cabinet drawers

| | A | NUMBER OF OPENINGS |
|------|-----|--------------------|
| SC30 | 30" | 5 |
| SC36 | 36" | 6 |
| SC42 | 42" | 7 |

Tall Bookshelf

ID
RD



- Interior finished to match cabinet box exterior
- Flush furniture toe kick
- Toe kick shipped unattached for 93" and 96" high bookshelves
- 23/32" veneered adjustable shelves packaged separately

12" DEEP

96"H - 6 Shelves

BS1896
BS2496
BS3096
BS3696

90"H - 6 Shelves

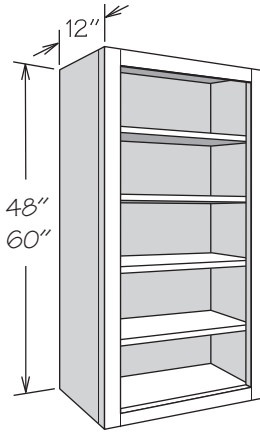
BS1890
BS2490
BS3090
BS3690

84"H - 5 Shelves

BS1884
BS2484
BS3084
BS3684

Wall Bookshelf

| |
|----|
| ID |
| RD |



60" High Shown

- Interior finished to match cabinet box exterior
- $2\frac{3}{32}$ " adjustable shelves packaged separately

12" DEEP

60"H • 4 Shelves

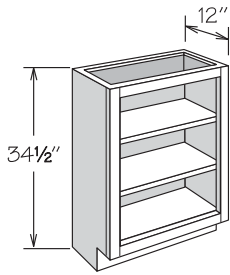
BS1860
BS2460
BS3060
BS3660

48"H • 3 Shelves

BS1848
BS2448
BS3048
BS3648

Base Bookshelf

| |
|-----|
| ID |
| RD |
| RTK |
| VTK |



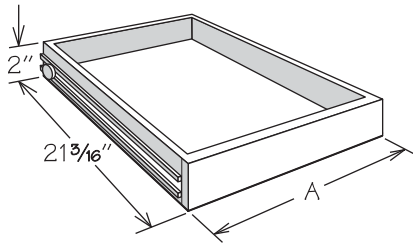
- Interior finished to match cabinet box exterior
- Two adjustable $2\frac{3}{32}$ " shelves packaged separately

12" DEEP

BS2434

Sliding Shelf Kit

| |
|----|
| RD |
|----|

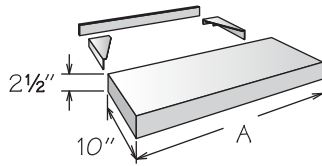


- Field installation accessory
- Engineered wood drawer with solid hardwood front, MDF bottom, and side-mounted drawer glides
- Includes sliding shelf, all glide hardware, and instructions
- SSKs can be used with all single and double door base cabinets
- SSK drill template is required for all double door cabinets that have fixed center stile – contact Partner Team for drill template

SLIDING SHELF KIT

| | A |
|-------|------|
| SSK12 | 8½" |
| SSK15 | 11½" |
| SSK18 | 14½" |
| SSK21 | 17½" |
| SSK24 | 20½" |

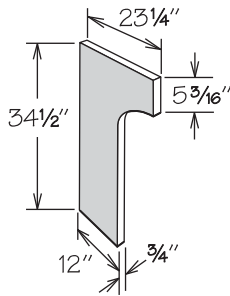
Floating Shelf



- Not trimmable
- Finished on all sides to match cabinet box exterior
- Constructed of engineered wood top and bottom and solid wood front and sides
- When installed between two cabinets, Wall End Panel (WEP) is recommended for adjacent cabinets
- Must be secured to studs in wall
- Installation instructions, mounting brackets, and screws included

| 10" DEEP | A | MAX. LOAD |
|----------|-----|-----------|
| FLSH2410 | 24" | 30 lbs. |
| FLSH3010 | 30" | 37 lbs. |
| FLSH3610 | 36" | 45 lbs. |
| FLSH4210 | 42" | 52 lbs. |
| FLSH4810 | 48" | 60 lbs. |

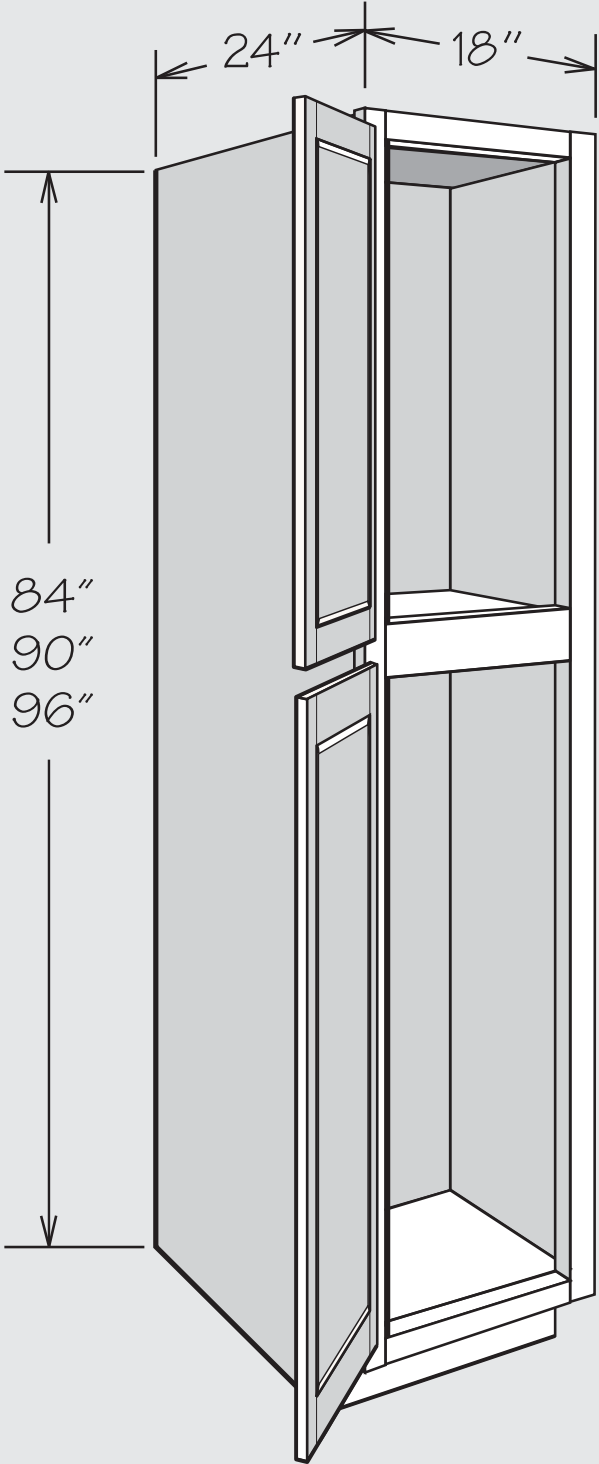
Desk End Panel



- All door styles feature 3/4" veneered engineered wood finished to match cabinet box exterior on both sides
- Recommend QM8 be ordered for installation to ensure proper attachment to wall
- Field trimmable
- Edge banded on front

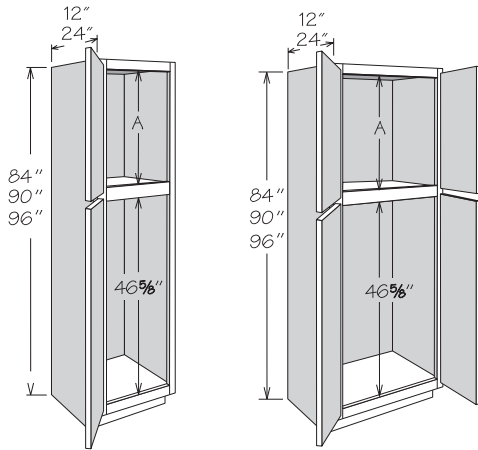
34 1/2" HIGH
DEP

TALL CABINETS



Utility Cabinet

| |
|-------|
| CFO |
| MI ■ |
| RD |
| VTK ◆ |



2 DOORS

4 BUTT DOORS

84" High Shown

- Shelving and optional interior accessories may be ordered separately (refer to Utility Cabinet Accessories for details)
- Cabinet backs are pre-drilled to accept up to four sliding shelves in lower section
- 4" inset toe kick assembly shipped inside 96" high cabinet - seam will be visible between toe kick box and side of cabinet
- Two door cabinets must be ordered hinged left or right
- Specialty Door cabinets (SD) feature Matching Interior standard and require a specialty door selection
- Bottom doors have a center rail for select door styles - refer to door style section

| | A |
|----------|----------------------------------|
| 84" High | 26 ⁷ / ₈ " |
| 90" High | 32 ⁷ / ₈ " |
| 96" High | 38 ⁷ / ₈ " |

2 DOORS - 12" DEEP

96" H

- UT1212 X 96 ■
- UT1512 X 96 ■
- UT1812 X 96 ■
- UT2112 X 96 ■
- UT1212 X 96 SD
- UT1512 X 96 SD
- UT1812 X 96 SD
- UT2112 X 96 SD

84" H

- UT1212 X 84 ■ ◆
- UT1512 X 84 ■ ◆
- UT1812 X 84 ■ ◆
- UT2112 X 84 ■ ◆
- UT1812 X 84 SD ◆
- UT1212 X 84 SD ◆
- UT1512 X 84 SD ◆
- UT2112 X 84 SD ◆

90" H

- UT1212 X 90 ■ ◆
- UT1512 X 90 ■ ◆
- UT1812 X 90 ■ ◆
- UT2112 X 90 ■ ◆
- UT1212 X 90 SD ◆
- UT1512 X 90 SD ◆
- UT1812 X 90 SD ◆
- UT2112 X 90 SD ◆

2 DOORS - 24" DEEP

96" H

- UT1224 X 96 ■
- UT1524 X 96 ■
- UT1824 X 96 ■
- UT2124 X 96 ■
- UT1224 X 96 SD
- UT1524 X 96 SD
- UT1824 X 96 SD
- UT2124 X 96 SD

84" H

- UT1224 X 84 ■ ◆
- UT1524 X 84 ■ ◆
- UT1824 X 84 ■ ◆
- UT2124 X 84 ■ ◆
- UT1224 X 84 SD ◆
- UT1524 X 84 SD ◆
- UT1824 X 84 SD ◆
- UT2124 X 84 SD ◆

90" H

- UT1224 X 90 ■ ◆
- UT1524 X 90 ■ ◆
- UT1824 X 90 ■ ◆
- UT2124 X 90 ■ ◆
- UT1224 X 96 SD ◆
- UT1524 X 96 SD ◆
- UT1824 X 96 SD ◆
- UT2124 X 96 SD ◆

4 BUTT DOORS - 12" DEEP

96" H

- UT2412 X 96 BUTT ■
- UT2412 X 96 BUTT SD

90" H

- UT2412 X 90 BUTT ■ ◆
- UT2412 X 90 BUTT SD ◆

84" H

- UT2412 X 84 BUTT ■ ◆
- UT2412 X 84 BUTT SD ◆

4 BUTT DOORS - 24" DEEP

96" H

- UT2424 X 96 BUTT ■
- UT2724 X 96 BUTT ■
- UT3024 X 96 BUTT ■
- UT3324 X 96 BUTT ■
- UT3624 X 96 BUTT ■

- UT2424 X 96 BUTT SD
- UT2724 X 96 BUTT SD
- UT3024 X 96 BUTT SD
- UT3324 X 96 BUTT SD
- UT3624 X 96 BUTT SD

90" H

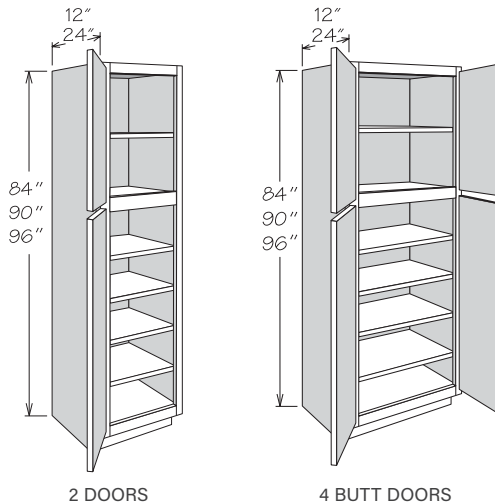
- UT2424 X 90 BUTT ■ ◆
- UT2724 X 90 BUTT ■ ◆
- UT3024 X 90 BUTT ■ ◆
- UT3324 X 90 BUTT ■ ◆
- UT3624 X 90 BUTT ■ ◆
- UT2424 X 90 BUTT SD ◆
- UT2724 X 90 BUTT SD ◆
- UT3024 X 90 BUTT SD ◆
- UT3324 X 90 BUTT SD ◆
- UT3624 X 90 BUTT SD ◆

84" H

- UT2424 X 84 BUTT ■ ◆
- UT2724 X 84 BUTT ■ ◆
- UT3024 X 84 BUTT ■ ◆
- UT3324 X 84 BUTT ■ ◆
- UT3624 X 84 BUTT ■ ◆
- UT2424 X 84 BUTT SD ◆
- UT2724 X 84 BUTT SD ◆
- UT3024 X 84 BUTT SD ◆
- UT3324 X 84 BUTT SD ◆
- UT3624 X 84 BUTT SD ◆

Utility Cabinet • Adjustable Shelves

| |
|-------|
| MI ■ |
| RD ■ |
| VTK ◆ |



84" High Shown

- Full-depth adjustable shelves are 3/4" engineered wood and edge banded on front edge only
- Bottom section features four adjustable shelves
- All shelving packaged separately for field installation
- 4" inset toe kick assembly shipped inside 96" high cabinet - seam will be visible between toe kick box and side of cabinet
- Two door cabinets must be ordered hinged left or right
- Specialty Door cabinets (SD) feature Matching Interior standard and require a specialty door selection
- Bottom doors have a center rail for select door styles - refer to door style section

2 DOORS • 12" DEEP

96" H • 3 Top Shelves

- UT1212 X 96 AS ■
- UT1512 X 96 AS ■
- UT1812 X 96 AS ■
- UT2112 X 96 AS ■
- UT1212 X 96 AS SD
- UT1512 X 96 AS SD
- UT1812 X 96 AS SD
- UT2112 X 96 AS SD

90" H • 2 Top Shelves

- UT1212 X 90 AS ■ ◆
- UT1512 X 90 AS ■ ◆
- UT1812 X 90 AS ■ ◆
- UT2112 X 90 AS ■ ◆
- UT1212 X 90 AS SD ◆
- UT1512 X 90 AS SD ◆
- UT1812 X 90 AS SD ◆
- UT2112 X 90 AS SD ◆

2 DOORS • 24" DEEP

96" H • 3 Top Shelves

- UT1224 X 96 AS ■
- UT1524 X 96 AS ■
- UT1824 X 96 AS ■
- UT2124 X 96 AS ■
- UT1224 X 96 AS SD
- UT1524 X 96 AS SD
- UT1824 X 96 AS SD
- UT2124 X 96 AS SD

90" H • 2 Top Shelves

- UT1224 X 90 AS ■ ◆
- UT1524 X 90 AS ■ ◆
- UT1824 X 90 AS ■ ◆
- UT2124 X 90 AS ■ ◆
- UT1224 X 90 AS SD ◆
- UT1524 X 90 AS SD ◆
- UT1824 X 90 AS SD ◆
- UT2124 X 90 AS SD ◆

84" H • 1 Top Shelf

- UT1212 X 84 AS ■ ◆
- UT1512 X 84 AS ■ ◆
- UT1812 X 84 AS ■ ◆
- UT2112 X 84 AS ■ ◆
- UT1212 X 84 AS SD ◆
- UT1512 X 84 AS SD ◆
- UT1812 X 84 AS SD ◆
- UT2112 X 84 AS SD ◆

84" H • 1 Top Shelf

- UT1224 X 84 AS ■ ◆
- UT1524 X 84 AS ■ ◆
- UT1824 X 84 AS ■ ◆
- UT2124 X 84 AS ■ ◆
- UT1224 X 84 AS SD ◆
- UT1524 X 84 AS SD ◆
- UT1824 X 84 AS SD ◆
- UT2124 X 84 AS SD ◆

4 BUTT DOORS • 12" DEEP

96" H • 3 Top Shelves

- UT2412 X 96 AS BUTT ■
- UT2412 X 96 AS BUTT SD

90" H • 2 Top Shelves

- UT2412 X 90 AS BUTT ■ ◆
- UT2412 X 90 AS BUTT SD ◆

4 BUTT DOORS • 24" DEEP

96" H • 3 Top Shelves

- UT2424 X 96 AS BUTT ■
- UT2724 X 96 AS BUTT ■
- UT3024 X 96 AS BUTT ■
- UT3324 X 96 AS BUTT ■
- UT3624 X 96 AS BUTT ■
- UT2424 X 96 AS BUTT SD
- UT2724 X 96 AS BUTT SD
- UT3024 X 96 AS BUTT SD
- UT3324 X 96 AS BUTT SD
- UT3624 X 96 AS BUTT SD

90" H • 2 Top Shelves

- UT2424 X 90 AS BUTT ■ ◆
- UT2724 X 90 AS BUTT ■ ◆
- UT3024 X 90 AS BUTT ■ ◆
- UT3324 X 90 AS BUTT ■ ◆
- UT3624 X 90 AS BUTT ■ ◆
- UT2424 X 90 AS BUTT SD ◆
- UT2724 X 90 AS BUTT SD ◆
- UT3024 X 90 AS BUTT SD ◆
- UT3324 X 90 AS BUTT SD ◆
- UT3624 X 90 AS BUTT SD ◆

84" H • 1 Top Shelf

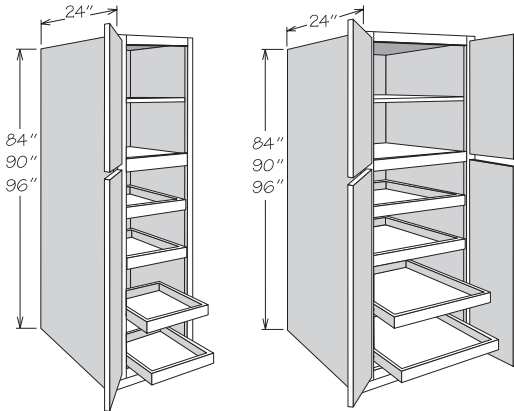
- UT2412 X 84 AS BUTT ■ ◆
- UT2412 X 84 AS BUTT SD ◆

84" H • 1 Top Shelf

- UT2424 X 84 AS BUTT ■ ◆
- UT2724 X 84 AS BUTT ■ ◆
- UT3024 X 84 AS BUTT ■ ◆
- UT3324 X 84 AS BUTT ■ ◆
- UT3624 X 84 AS BUTT ■ ◆
- UT2424 X 84 AS BUTT SD ◆
- UT2724 X 84 AS BUTT SD ◆
- UT3024 X 84 AS BUTT SD ◆
- UT3324 X 84 AS BUTT SD ◆
- UT3624 X 84 AS BUTT SD ◆

Utility Cabinet • Sliding Shelves

| |
|-------|
| MI ■ |
| RD ■ |
| VTK ◆ |



2 DOORS

4 BUTT DOORS

84" High Shown

- Full-depth adjustable shelves are ¾" engineered wood and edge banded on front edge only
- Bottom section features four sliding shelves
- All shelving and SSK sliding shelves packaged separately for field installation
- 4" inset toe kick assembly shipped inside 96" high cabinet - seam will be visible between toe kick box and side of cabinet
- Engineered wood sliding shelves with solid hardwood front, MDF bottom, and side-mounted drawer glides
- Two door cabinets must be ordered hinged left or right
- Specialty Door cabinets (SD) feature Matching Interior standard and require a specialty door selection
- Bottom doors have a center rail for select door styles - refer to door style section

2 DOORS

96" H - 3 Top Shelves

- UT1224 X 96 4SSK ■
- UT1524 X 96 4SSK ■
- UT1824 X 96 4SSK ■
- UT2124 X 96 4SSK ■
- UT1224 X 96 4SSK SD
- UT1524 X 96 4SSK SD
- UT1824 X 96 4SSK SD
- UT2124 X 96 4SSK SD

90" H - 2 Top Shelves

- UT1224 X 90 4SSK ■ ◆
- UT1524 X 90 4SSK ■ ◆
- UT1824 X 90 4SSK ■ ◆
- UT2124 X 90 4SSK ■ ◆
- UT1224 X 90 4SSK SD ◆
- UT1524 X 90 4SSK SD ◆
- UT1824 X 90 4SSK SD ◆
- UT2124 X 90 4SSK SD ◆

84" H - 1 Top Shelf

- UT1224 X 84 4SSK ■ ◆
- UT1524 X 84 4SSK ■ ◆
- UT1824 X 84 4SSK ■ ◆
- UT2124 X 84 4SSK ■ ◆
- UT1224 X 84 4SSK SD ◆
- UT1524 X 84 4SSK SD ◆
- UT1824 X 84 4SSK SD ◆
- UT2124 X 84 4SSK SD ◆

4 BUTT DOORS

96" H - 3 Top Shelves

- UT2424 X 96 4SSK BUTT ■
- UT2724 X 96 4SSK BUTT ■
- UT3024 X 96 4SSK BUTT ■
- UT3324 X 96 4SSK BUTT ■
- UT3624 X 96 4SSK BUTT ■
- UT2424 X 96 4SSK BUTT SD
- UT2724 X 96 4SSK BUTT SD
- UT3024 X 96 4SSK BUTT SD
- UT3324 X 96 4SSK BUTT SD
- UT3624 X 96 4SSK BUTT SD

90" H - 2 Top Shelves

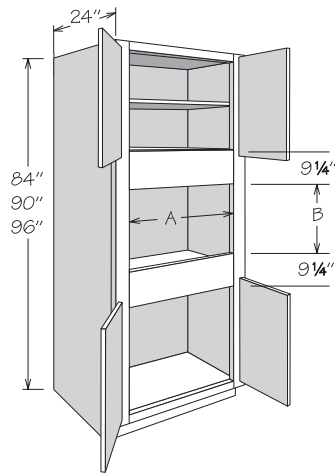
- UT2424 X 90 4SSK BUTT ■ ◆
- UT2724 X 90 4SSK BUTT ■ ◆
- UT3024 X 90 4SSK BUTT ■ ◆
- UT3324 X 90 4SSK BUTT ■ ◆
- UT3624 X 90 4SSK BUTT ■ ◆
- UT2424 X 90 4SSK BUTT SD ◆
- UT2724 X 90 4SSK BUTT SD ◆
- UT3024 X 90 4SSK BUTT SD ◆
- UT3324 X 90 4SSK BUTT SD ◆
- UT3624 X 90 4SSK BUTT SD ◆

84" H - 1 Top Shelf

- UT2424 X 84 4SSK BUTT ■ ◆
- UT2724 X 84 4SSK BUTT ■ ◆
- UT3024 X 84 4SSK BUTT ■ ◆
- UT3324 X 84 4SSK BUTT ■ ◆
- UT3624 X 84 4SSK BUTT ■ ◆
- UT2424 X 84 4SSK BUTT SD ◆
- UT2724 X 84 4SSK BUTT SD ◆
- UT3024 X 84 4SSK BUTT SD ◆
- UT3324 X 84 4SSK BUTT SD ◆
- UT3624 X 84 4SSK BUTT SD ◆

Single Oven Cabinet • 4 Butt Doors

| |
|-------|
| CFO |
| RD |
| VTK ◆ |



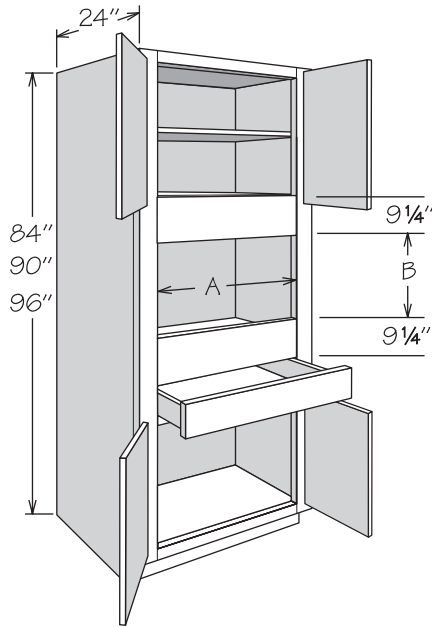
90" High Shown

- Features a solid back
- 3 1/8" stiles
- All door styles feature face-mount hinges
- Full-depth adjustable shelves and 3/4" engineered wood and edge banded on front edge only
- Shelf packaged separately for field installation
- 4" inset toe kick assembly shipped inside 96" high cabinets - seam will be visible between toe kick box and side of cabinet
- Refer to appliance manufacturer's specifications for adequate clearances and required installation materials

| | A ACTUAL | A MAX. | B ACTUAL | B MAX. |
|-----------------------------|-------------|-----------|-------------|-----------|
| 96"H • 2 Top Shelves | | | | |
| OVS2796 AS BUTT | 20 3/4" | 25" | 22 1/8" | 37 3/8" |
| OVS3096 AS BUTT | 23 3/4" | 28" | 22 1/8" | 37 3/8" |
| OVS3396 AS BUTT | 26 3/4" | 31" | 22 1/8" | 37 3/8" |
| 90"H • 1 Top Shelf | | | | |
| OVS2790 AS BUTT ◆ | 20 3/4" | 25" | 21 3/4" | 37" |
| OVS3090 AS BUTT ◆ | 23 3/4" | 28" | 21 3/4" | 37" |
| OVS3390 AS BUTT ◆ | 26 3/4" | 31" | 21 3/4" | 37" |
| 84"H • No Shelf | | | | |
| OVS2784 BUTT ◆ | 20 3/4" | 25" | 22 1/8" | 37 3/8" |
| OVS3084 BUTT ◆ | 23 3/4" | 28" | 22 1/8" | 37 3/8" |
| OVS3384 BUTT ◆ | 26 3/4" | 31" | 22 1/8" | 37 3/8" |

Single Oven Cabinet • 4 Butt Doors and 1 Drawer

| |
|-------|
| CFO |
| RD |
| VTK ◆ |



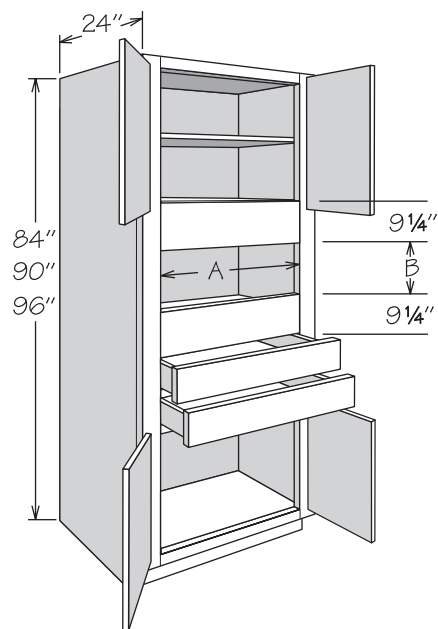
90" High Shown

- Features a solid back
- 3/8" stiles
- All door styles feature face-mount hinges
- One standard drawer
- Full-depth adjustable shelves and 3/4" engineered wood and edge banded on front edge only
- Shelf packaged separately for field installation
- 4" inset toe kick assembly shipped inside 96" high cabinets - seam will be visible between toe kick box and side of cabinet
- Refer to appliance manufacturer's specifications for adequate clearances and required installation materials

| | A ACTUAL | A MAX. | B ACTUAL | B MAX. |
|-----------------------------|-------------|-----------|-------------|-----------|
| 96"H - 2 Top Shelves | | | | |
| OVS2796 AS BUTT 1DWR | 20 3/4" | 25" | 16 1/8" | 31 3/8" |
| OVS3096 AS BUTT 1DWR | 23 3/4" | 28" | 16 1/8" | 31 3/8" |
| OVS3396 AS BUTT 1DWR | 26 3/4" | 31" | 16 1/8" | 31 3/8" |
| 90"H - 1 Top Shelf | | | | |
| OVS2790 AS BUTT 1DWR ◆ | 20 3/4" | 25" | 15 3/4" | 31" |
| OVS3090 AS BUTT 1DWR ◆ | 23 3/4" | 28" | 15 3/4" | 31" |
| OVS3390 AS BUTT 1DWR ◆ | 26 3/4" | 31" | 15 3/4" | 31" |
| 84"H - No Shelf | | | | |
| OVS2784 BUTT 1DWR ◆ | 20 3/4" | 25" | 16 1/8" | 31 3/8" |
| OVS3084 BUTT 1DWR ◆ | 23 3/4" | 28" | 16 1/8" | 31 3/8" |
| OVS3384 BUTT 1DWR ◆ | 26 3/4" | 31" | 16 1/8" | 31 3/8" |

Single Oven Cabinet • 4 Butt Doors and 2 Drawers

VTK ◆



90" High Shown

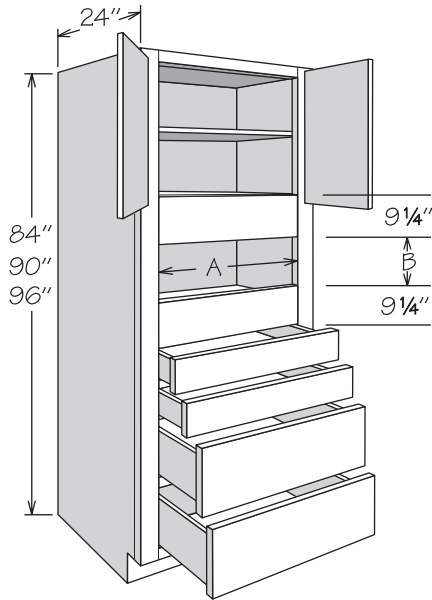
- Features a solid back
- 3 1/8" stiles
- All door styles feature face-mount hinges
- Two standard drawers
- Full-depth adjustable shelves and 3/4" engineered wood and edge banded on front edge only
- Shelf packaged separately for field installation
- 4" inset toe kick assembly shipped inside 96" high cabinets
- seam will be visible between toe kick box and side of cabinet
- Refer to appliance manufacturer's specifications for adequate clearances and required installation materials

| | A ACTUAL | A MAX. | B ACTUAL | B MAX. |
|-----------------------------|-------------|-----------|-------------|-----------|
| 96"H - 2 Top Shelves | | | | |
| OVS2796 AS BUTT 2DWR | 20 3/4" | 25" | 10 1/8" | 25 3/8" |
| OVS3096 AS BUTT 2DWR | 23 3/4" | 28" | 10 1/8" | 25 3/8" |
| OVS3396 AS BUTT 2DWR | 26 3/4" | 31" | 10 1/8" | 25 3/8" |
| 90"H - 1 Top Shelf | | | | |
| OVS2790 AS BUTT 2DWR ◆ | 20 3/4" | 25" | 9 3/4" | 25" |
| OVS3090 AS BUTT 2DWR ◆ | 23 3/4" | 28" | 9 3/4" | 25" |
| OVS3390 AS BUTT 2DWR ◆ | 26 3/4" | 31" | 9 3/4" | 25" |
| 84"H - No Shelf | | | | |
| OVS2784 BUTT 2DWR ◆ | 20 3/4" | 25" | 10 1/8" | 25 3/8" |
| OVS3084 BUTT 2DWR ◆ | 23 3/4" | 28" | 10 1/8" | 25 3/8" |
| OVS3384 BUTT 2DWR ◆ | 26 3/4" | 31" | 10 1/8" | 25 3/8" |

TALL CABINETS

Single Oven Cabinet • 2 Butt Doors and 4 Drawers

| |
|-------|
| CFO |
| RD |
| VTK ◆ |



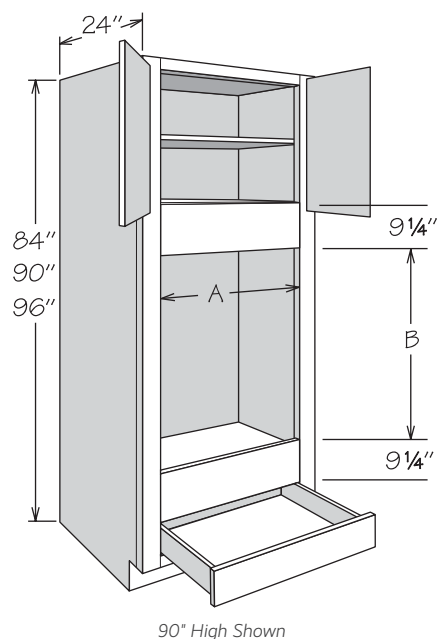
90" High Shown

- Features a solid back
- 3 1/8" stiles
- All door styles feature face-mount hinges
- Two standard and two large drawers
- Shelf packaged separately for field installation
- Full-depth adjustable shelves and 3/4" engineered wood and edge banded on front edge only
- 4" inset toe kick assembly shipped inside 96" high cabinets - seam will be visible between toe kick box and side of cabinet
- Refer to appliance manufacturer's specifications for adequate clearances and required installation materials

| | A ACTUAL | A MAX. | B ACTUAL | B MAX. |
|-----------------------------|-------------|-----------|-------------|-----------|
| 96"H - 2 Top Shelves | | | | |
| OVS2796 AS BUTT 4DWR | 20 3/4" | 25" | 10 1/8" | 25 3/8" |
| OVS3096 AS BUTT 4DWR | 23 3/4" | 28" | 10 1/8" | 25 3/8" |
| OVS3396 AS BUTT 4DWR | 26 3/4" | 31" | 10 1/8" | 25 3/8" |
| 90"H - 1 Top Shelf | | | | |
| OVS2790 AS BUTT 4DWR ◆ | 20 3/4" | 25" | 9 3/4" | 25" |
| OVS3090 AS BUTT 4DWR ◆ | 23 3/4" | 28" | 9 3/4" | 25" |
| OVS3390 AS BUTT 4DWR ◆ | 26 3/4" | 31" | 9 3/4" | 25" |
| 84"H - No Shelf | | | | |
| OVS2784 BUTT 4DWR ◆ | 20 3/4" | 25" | 10 1/8" | 25 3/8" |
| OVS3084 BUTT 4DWR ◆ | 23 3/4" | 28" | 10 1/8" | 25 3/8" |
| OVS3384 BUTT 4DWR ◆ | 26 3/4" | 31" | 10 1/8" | 25 3/8" |

Double Oven Cabinet • 2 Butt Doors and 1 Drawer

| |
|-------|
| CFO |
| RD |
| VTK ◆ |

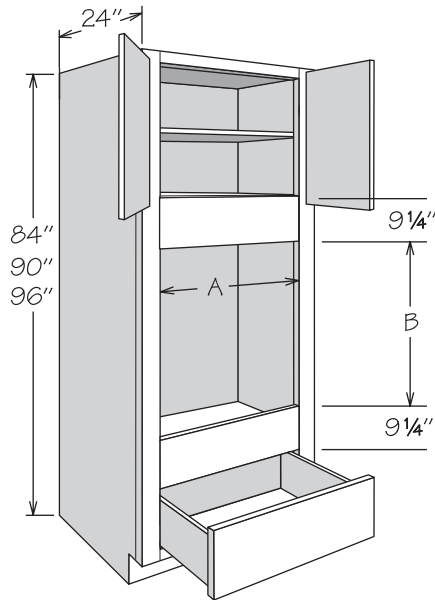


- Features a solid back
- 3½" stiles
- One standard drawer
- All door styles feature face-mount hinges
- Shelf packaged separately for field installation
- Full-depth adjustable shelves and ¾" engineered wood and edge banded on front edge only
- 4" inset toe kick assembly shipped inside 96" high cabinets - seam will be visible between toe kick box and side of cabinet
- Refer to appliance manufacturer's specifications for adequate clearances and required installation materials

| | A ACTUAL | A MAX. | B ACTUAL | B MAX. |
|-----------------------------|-------------|-----------|-------------|-----------|
| 96"H - 2 Top Shelves | | | | |
| OVD2796 AS BUTT | 20 ¾" | 25" | 39" | 54 ¼" |
| OVD3096 AS BUTT | 23 ¾" | 28" | 39" | 54 ¼" |
| OVD3396 AS BUTT | 26 ¾" | 31" | 39" | 54 ¼" |
| 90"H - 1 Top Shelf | | | | |
| OVD2790 AS BUTT ◆ | 20 ¾" | 25" | 38 ⅝" | 53 ⅞" |
| OVD3090 AS BUTT ◆ | 23 ¾" | 28" | 38 ⅝" | 53 ⅞" |
| OVD3390 AS BUTT ◆ | 26 ¾" | 31" | 38 ⅝" | 53 ⅞" |
| 84"H - No Shelf | | | | |
| OVD2784 BUTT ◆ | 20 ¾" | 25" | 39" | 54 ¼" |
| OVD3084 BUTT ◆ | 23 ¾" | 28" | 39" | 54 ¼" |
| OVD3384 BUTT ◆ | 26 ¾" | 31" | 39" | 54 ¼" |

Double Oven Cabinet • 2 Butt Doors and 1 Large Drawer

| |
|-------|
| CFO |
| RD |
| VTK ◆ |



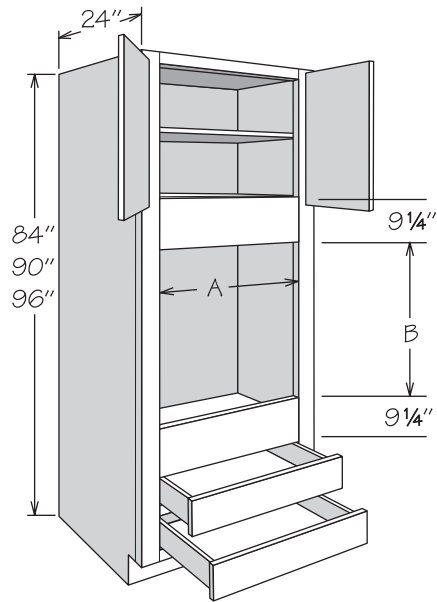
90" High Shown

- Features a solid back
- 3/8" stiles
- All door styles feature face-mount hinges
- One large drawer
- Shelf packaged separately for field installation
- Full-depth adjustable shelves and 3/4" engineered wood and edge banded on front edge only
- 4" inset toe kick assembly shipped inside 96" high cabinets - seam will be visible between toe kick box and side of cabinet
- Refer to appliance manufacturer's specifications for adequate clearances and required installation materials

| | A ACTUAL | A MAX. | B ACTUAL | B MAX. |
|-----------------------------|-------------|-----------|-------------|-----------|
| 96"H • 2 Top Shelves | | | | |
| OVD2796 AS BUTT 1DDWR | 20 3/4" | 25" | 33 9/16" | 48 13/16" |
| OVD3096 AS BUTT 1DDWR | 23 3/4" | 28" | 33 9/16" | 48 13/16" |
| OVD3396 AS BUTT 1DDWR | 26 3/4" | 31" | 33 9/16" | 48 13/16" |
| 90"H • 1 Top Shelf | | | | |
| OVD2790 AS BUTT 1DDWR ◆ | 20 3/4" | 25" | 33 3/16" | 48 7/16" |
| OVD3090 AS BUTT 1DDWR ◆ | 23 3/4" | 28" | 33 3/16" | 48 7/16" |
| OVD3390 AS BUTT 1DDWR ◆ | 26 3/4" | 31" | 33 3/16" | 48 7/16" |
| 84"H • No Shelf | | | | |
| OVD2784 BUTT 1DDWR ◆ | 20 3/4" | 25" | 33 9/16" | 48 13/16" |
| OVD3084 BUTT 1DDWR ◆ | 23 3/4" | 28" | 33 9/16" | 48 13/16" |
| OVD3384 BUTT 1DDWR ◆ | 26 3/4" | 31" | 33 9/16" | 48 13/16" |

Double Oven Cabinet • 2 Butt Doors and 2 Drawers

| |
|-------|
| CFO |
| RD |
| VTK ◆ |



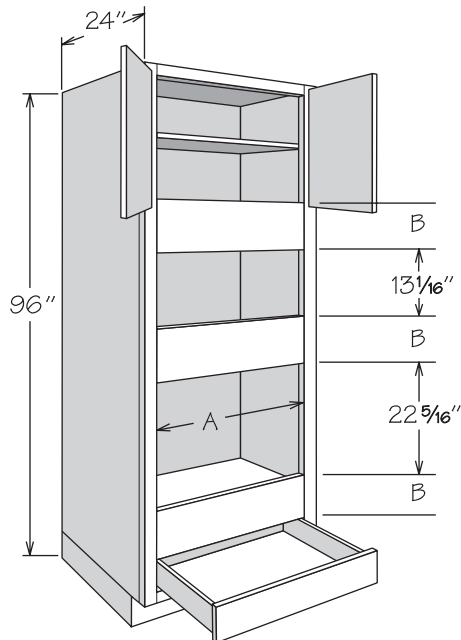
90" High Shown

- Features a solid back
- 3/8" stiles
- All door styles feature face-mount hinges
- Two standard drawers
- Shelf packaged separately for field installation
- Full-depth adjustable shelves and 3/4" engineered wood and edge banded on front edge only
- 4" inset toe kick assembly shipped inside 96" high cabinets - seam will be visible between toe kick box and side of cabinet
- Refer to appliance manufacturer's specifications for adequate clearances and required installation materials

| | A ACTUAL | A MAX. | B ACTUAL | B MAX. |
|-----------------------------|-------------|-----------|-------------|-----------|
| 96"H • 2 Top Shelves | | | | |
| OVD2796 AS BUTT 2DWR | 20 3/4" | 25" | 33" | 48 1/4" |
| OVD3096 AS BUTT 2DWR | 23 3/4" | 28" | 33" | 48 1/4" |
| OVD3396 AS BUTT 2DWR | 26 3/4" | 31" | 33" | 48 1/4" |
| 90"H • 1 Top Shelf | | | | |
| OVD2790 AS BUTT 2DWR ◆ | 20 3/4" | 25" | 32 5/8" | 47 7/8" |
| OVD3090 AS BUTT 2DWR ◆ | 23 3/4" | 28" | 32 5/8" | 47 7/8" |
| OVD3390 AS BUTT 2DWR ◆ | 26 3/4" | 31" | 32 5/8" | 47 7/8" |
| 84"H • No Shelf | | | | |
| OVD2784 BUTT 2DWR ◆ | 20 3/4" | 25" | 33" | 48 1/4" |
| OVD3084 BUTT 2DWR ◆ | 23 3/4" | 28" | 33" | 48 1/4" |
| OVD3384 BUTT 2DWR ◆ | 26 3/4" | 31" | 33" | 48 1/4" |

Oven Microwave Cabinet • 2 Butt Doors and 1 Drawer

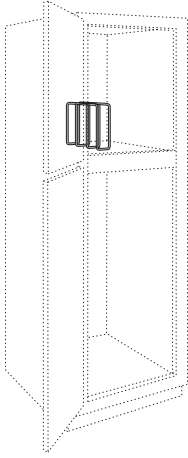
| |
|-----|
| CFO |
| RD |



- Features a solid back
- 3/8" stiles
- All doors feature face-mount hinges
- Features one standard drawer
- Shelving packaged separately for field installation
- 4" inset toe-kick assembly shipped as two pieces inside cabinet - seam will be visible between toe kick and side of cabinet
- For use with built-in style microwaves only
- Features one full-depth 3/4" engineered wood shelf edge banded on front edge only (for top section)
- Refer to appliance manufacturer's specifications for adequate clearance and required installation materials

| | A ACTUAL | A MAX. | B ACTUAL | B MAX. |
|---------------------------|-------------|-----------|-------------|-----------|
| 96"H • 1 Top Shelf | | | | |
| OMC3396 AS BUTT | 26 3/4" | 31" | 9 1/4" | 2 3/4" |

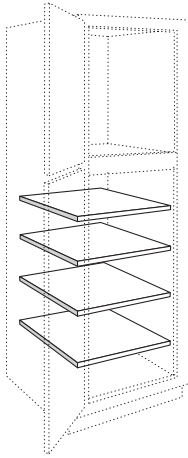
Cabinet Tray Divider



- Field installation accessory
- Chrome finish
- Mounting hardware included
- Overall dimensions: 2 $\frac{7}{8}$ " wide x 9 $\frac{5}{16}$ " high x 11 $\frac{3}{4}$ " deep
- Order Cabinet Tray Dividers individually
- For use in 24" deep cabinets or cabinets with RD-23 through RD-14

TD3

Adjustable Shelves



- Field installation accessory
- $\frac{3}{4}$ " engineered wood
- Edge banded on front edge only
- CLIP LOCK shelf rests included

ADJUSTABLE SHELF

12" Deep

S1212
S1512
S1812
S2112
S2412
S3612

24" Deep

S1224
S1524
S1824
S2124
S2424
S2724
S3024
S3324
S3624

4 PACK SHELF KIT

12" Deep

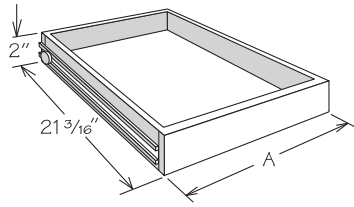
SK1212
SK1512
SK1812
SK2112
SK2412
SK3612

24" Deep

SK1224
SK1524
SK1824
SK2124
SK2424
SK2724
SK3024
SK3324
SK3624

Sliding Shelves and Sliding Shelf Kits

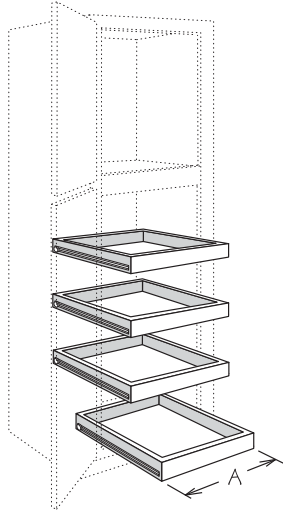
RD



- Field installation accessory
- Engineered wood drawer with solid hardwood front, MDF bottom, and side-mounted drawer glides
- Includes sliding shelf, all glide hardware, and instructions

OVEN SIZE

| | |
|-------|-------|
| SSK24 | OVS27 |
| SSK27 | OVS30 |
| SSK30 | OVS33 |

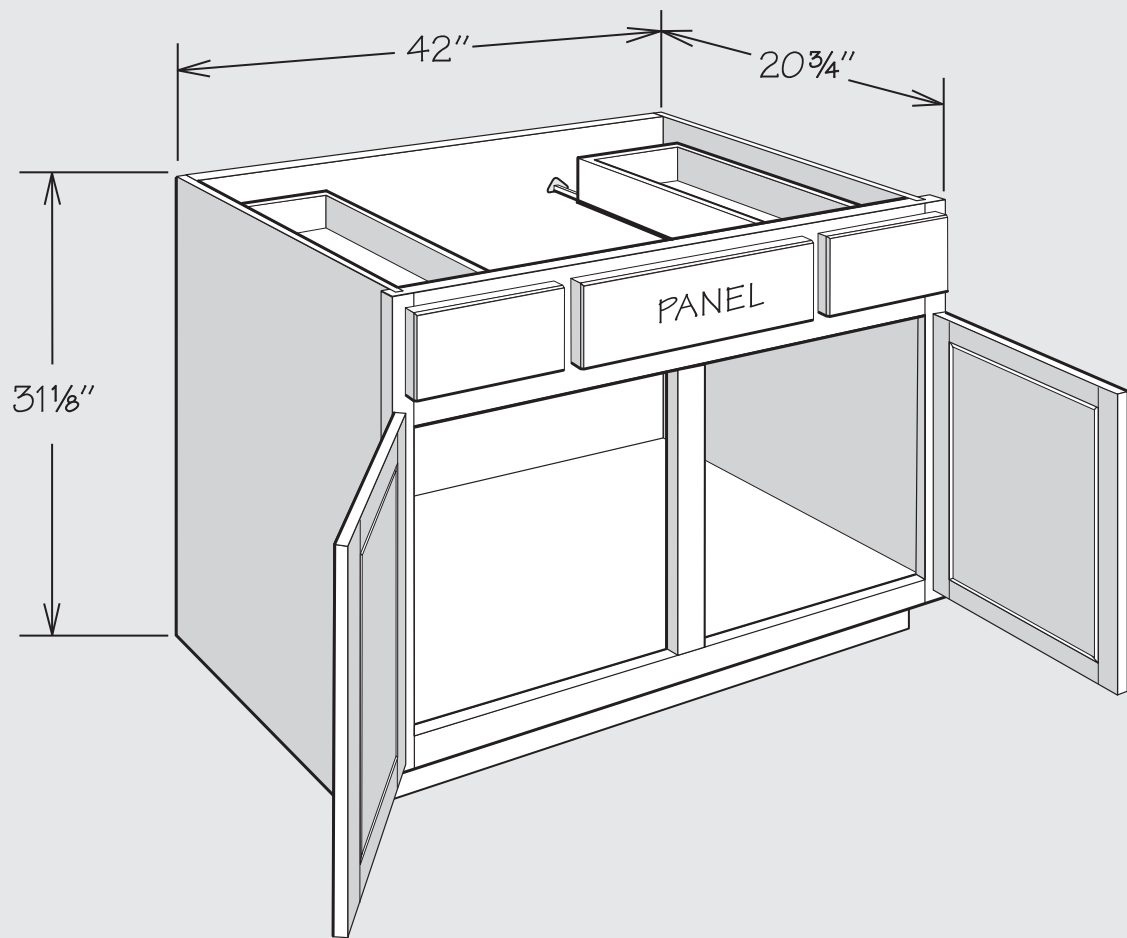


| SLIDING SHELF KIT | 4 PACK SLIDING SHELF KIT | A |
|-------------------|--------------------------|---------|
| SSK12 | USS12-4K | 8 1/2" |
| SSK15 | USS15-4K | 11 1/2" |
| SSK18 | USS18-4K | 14 1/2" |
| SSK21 | USS21-4K | 17 1/2" |
| SSK24 | USS24-4K | 20 1/2" |
| SSK27 | USS27-4K | 23 1/2" |
| SSK30 | USS30-4K | 26 1/2" |
| SSK33 | USS33-4K | 29 1/2" |
| SSK36 | USS36-4K | 32 1/2" |

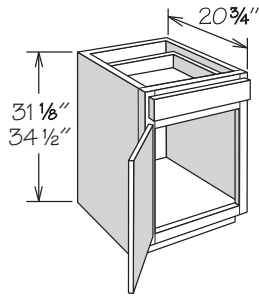
TALL CABINETS

Notes

VANITY CABINETS



Vanity Base • 1 Door



- No shelf
- Not drilled for adjustable shelf
- Door is hinged left and can be reversed in the field

| |
|-----|
| CFO |
| RD |
| RTK |
| VTK |

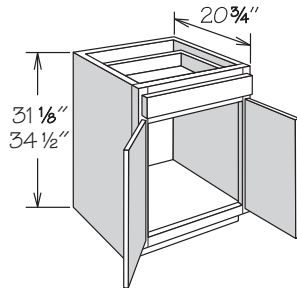
34 1/2" HIGH

VB1234H
VB1534H
VB1834H
VB2134H

31 1/8" HIGH

VB12
VB15
VB18
VB21

Vanity Base • 2 Butt Doors and 1 Drawer



- No shelf
- Not drilled for adjustable shelf

| |
|-----|
| CFO |
| RD |
| RTK |
| VTK |

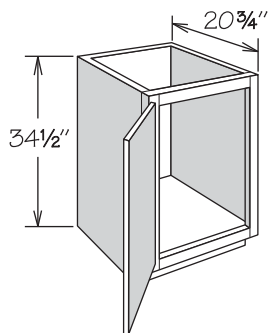
34 1/2" HIGH

VB2434H BUTT
VB2734H BUTT
VB3034H BUTT
VB3334H BUTT
VB3634H BUTT

31 1/8" HIGH

VB24 BUTT
VB27 BUTT
VB30 BUTT
VB33 BUTT
VB36 BUTT

Vanity Full-Height Base • 1 Door



- Full-height door
- No shelf
- Not drilled for adjustable shelf
- Door is hinged left and can be reversed in the field

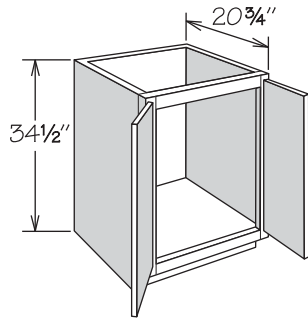
| |
|-----|
| CFO |
| RD |
| RTK |
| VTK |

34 1/2" HIGH

VB1234H FH
VB1534H FH
VB1834H FH
VB2134H FH

Vanity Full-Height Base • 2 Butt Doors

| |
|-----|
| CFO |
| RD |
| RTK |
| VTK |



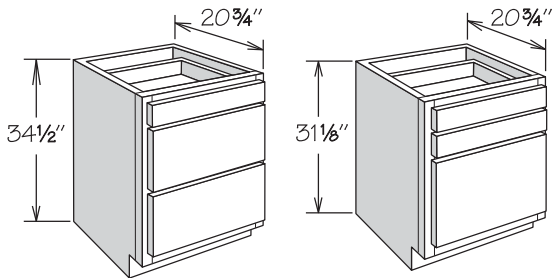
- Full-height doors
- No shelf
- Not drilled for adjustable shelf

34 1/2" HIGH

VB2434H BUTT FH
VB3034H BUTT FH
VB3634H BUTT FH

Vanity Drawer Base

| |
|-----|
| CFO |
| RD |
| RTK |
| VTK |



- VDB_34H features one standard and two large drawers
- VDB_ features one large and two standard drawers

34 1/2" HIGH

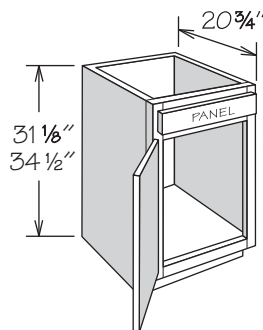
VDB1234H
VDB1534H
VDB1834H
VDB2134H
VDB2434H

31 1/8" HIGH

VDB12
VDB15
VDB18
VDB21
VDB24

Vanity Sink Base • 1 Door

| |
|-----|
| CFO |
| RD |
| RTK |
| VTK |



- No shelf
- Subtract 1 1/2" from depth and width for available sink bowl opening- removal of corner blocks may be required
- Door is hinged left and can be reversed in the field

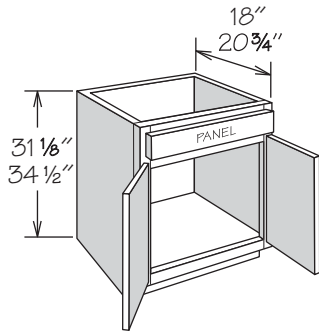
34 1/2" HIGH

VSB1534H
VSB1834H
VSB2134H

31 1/8" HIGH

VSB15
VSB18
VSB21

Vanity Sink Base • 2 Butt Doors



- No shelf
- Subtract 1/2" from depth and width for available sink bowl opening - removal of corner blocks may be required

| |
|-----|
| CFO |
| RD |
| RTK |
| VTK |

34 1/2" HIGH

20 3/4" Deep

VSB2434H BUTT
VSB2734H BUTT
VSB3034H BUTT
VSB3334H BUTT
VSB3634H BUTT

18" Deep

VSB241834H BUTT
VSB301834H BUTT
VSB361834H BUTT

31 1/8" HIGH

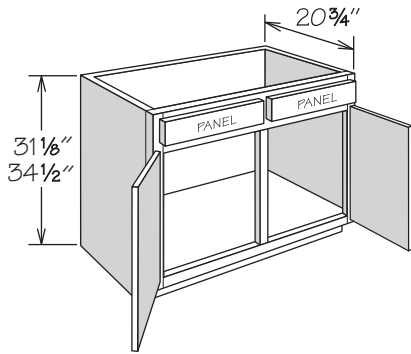
20 3/4" Deep

VSB24 BUTT
VSB27 BUTT
VSB30 BUTT
VSB33 BUTT
VSB36 BUTT

18" Deep

VSB2418 BUTT
VSB3018 BUTT
VSB3618 BUTT

Vanity Sink Base • 2 Doors



- No shelf
- Subtract 1/2" from depth and width for available sink bowl opening - removal of corner blocks may be required

| |
|-----|
| CFO |
| RD |
| RTK |
| VTK |

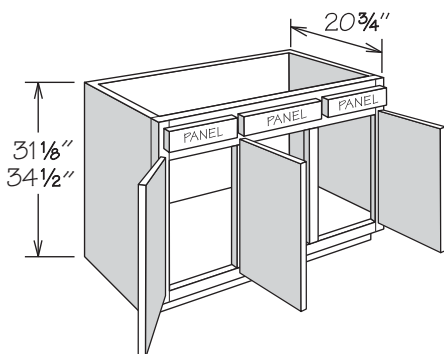
34 1/2" HIGH

VSB3934H
VSB4234H

31 1/8" HIGH

VSB39
VSB42

Vanity Sink Base • 3 Doors



- No shelf
- Subtract 1/2" from depth and width for available sink bowl opening - removal of corner blocks may be required
- Hinged as shown - can be reversed in the field

| |
|-----|
| CFO |
| RD |
| RTK |
| VTK |

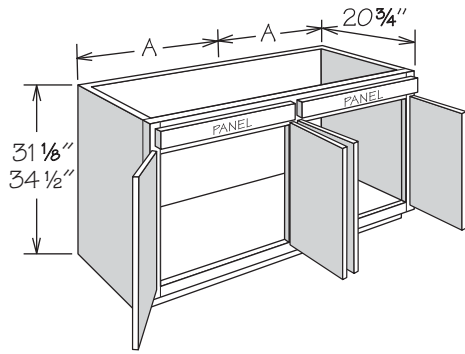
34 1/2" HIGH

VSB4834H

31 1/8" HIGH

VSB48

Vanity Sink Base • 4 Butt Doors

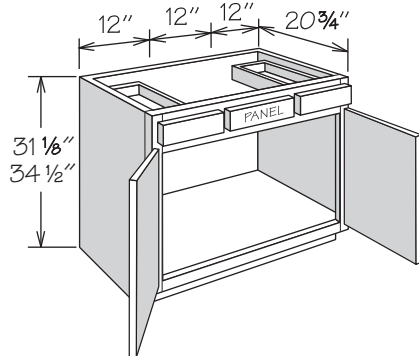


- No shelf
- Subtract 1/2" from depth and each dimension A for available sink bowl openings - removal of corner blocks may be required

| |
|-----|
| CFO |
| RD |
| RTK |
| VTK |

| 34 1/2" HIGH | A | 31 1/8" HIGH | A |
|---------------|-----|--------------|-----|
| VSB5434H BUTT | 27" | VSB54 BUTT | 27" |
| VSB6034H BUTT | 30" | VSB60 BUTT | 30" |

Vanity Sink Base • 2 Butt Doors and 2 Drawers

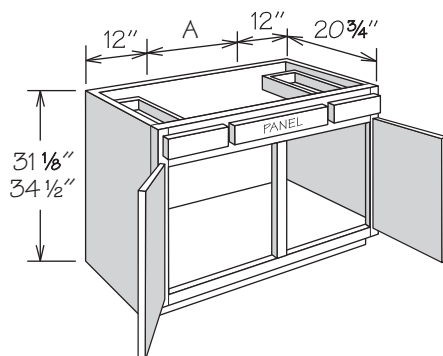


- No shelf
- Top drawer on each side of sink bowl opening
- Subtract 1/2" from depth for available sink bowl opening
- Features two DRB9_ to accommodate sink bowl opening up to 18"

| |
|-----|
| CFO |
| RD |
| RTK |
| VTK |

| 34 1/2" HIGH | 31 1/8" HIGH |
|---------------|--------------|
| VAN3634H BUTT | VAN36 BUTT |

Vanity Sink Base • 2 Doors and 2 Drawers

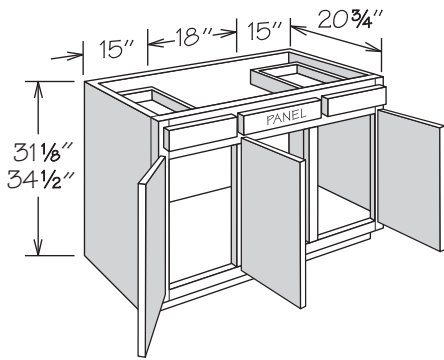


- No shelf
- Top drawer on each side of sink bowl opening
- Subtract 1/2" from depth for available sink bowl opening

| |
|-----|
| CFO |
| RD |
| RTK |
| VTK |

| 34 1/2" HIGH | A | MAX. SINK OPENING | 31 1/8" HIGH | A | MAX. SINK OPENING |
|--------------|-----|-------------------|--------------|-----|-------------------|
| VAN3934H | 15" | 18" | VAN39 | 15" | 18" |
| VAN4234H | 18" | 21" | VAN42 | 18" | 21" |

Vanity Sink Base • 3 Doors and 2 Drawers



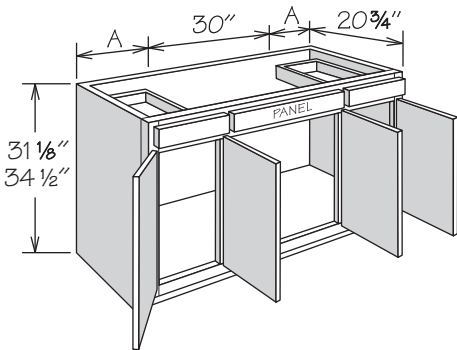
- No shelf
- Top drawer on each side of sink bowl opening
- Subtract 1/2" from depth for available sink bowl opening
- Hinged as shown – can be reversed in the field
- Maximum sink bowl opening is 21" wide

| |
|-----|
| CFO |
| RD |
| RTK |
| VTK |

34 1/2" HIGH
VAN4834H

31 1/8" HIGH
VAN48

Vanity Sink Base • 4 Butt Doors and 2 Drawers



- No shelf
- Top drawer on each side of sink bowl opening
- Subtract 1/2" from depth for available sink bowl opening
- Maximum sink bowl opening is 33" wide

| |
|-----|
| CFO |
| RD |
| RTK |
| VTK |

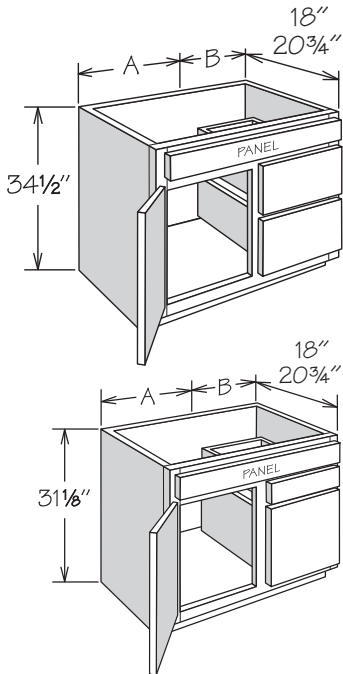
34 1/2" HIGH
VAN5434H BK BUTT
VAN6034H BK BUTT

A
12"
15"

31 1/8" HIGH
VAN54 BK BUTT
VAN60 BK BUTT

A
12"
15"

Vanity Combo Sink Base • 1 Door and 2 Drawers



- No shelf
- Allow for plumbing placement to clear drawers
- Drawers available on right or left side (please specify)
- Cabinet shown is right indicating drawers on the right side of the cabinet
- Subtract 1/2" from depth and overall cabinet width for available sink bowl opening - removal of corner blocks may be required

| |
|-----|
| CFO |
| RD |
| RTK |
| VTK |

34 1/2" HIGH
20 3/4" Deep

VSDB2434H BK
VSDB2734H BK
VSDB3034H BK
VSDB3334H BK
VSDB3634H BK

A

B

31 1/8" HIGH
20 3/4" Deep

VSDB24 BK
VSDB27 BK
VSDB30 BK
VSDB33 BK
VSDB36 BK

A

B

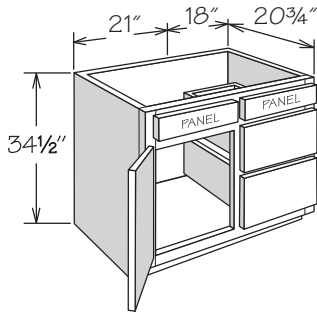
18" Deep

VSDB241834H BK
VSDB271834H BK
VSDB301834H BK
VSDB331834H BK
VSDB361834H BK

18" Deep

VSDB2418 BK
VSDB2718 BK
VSDB3018 BK
VSDB3318 BK
VSDB3618 BK

Vanity Combo Sink Base • 1 Door and 2 Drawers

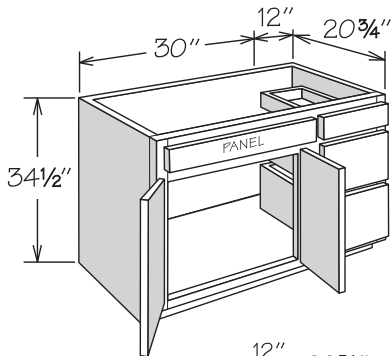


- No shelf
- Allow for plumbing placement to clear drawers
- Drawers available on right or left side (please specify)
- Cabinet shown is right indicating drawers on the right side of the cabinet
- Subtract 1 1/2" from depth and overall cabinet width for available sink bowl opening - removal of corner blocks may be required

| |
|-----|
| CFO |
| RD |
| RTK |
| VTK |

34 1/2" HIGH
VSDB3934H BK

Vanity Combo Sink Base • 2 Butt Doors and 3 Drawers

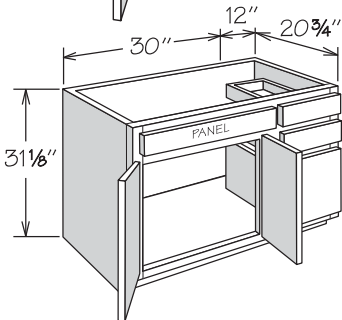


- No shelf
- Drawers available on right or left side (please specify)
- Cabinet shown is right indicating drawers on the right side of the cabinet
- Maximum sink bowl opening is 28 1/2" wide
- Requires off center sink bowl opening

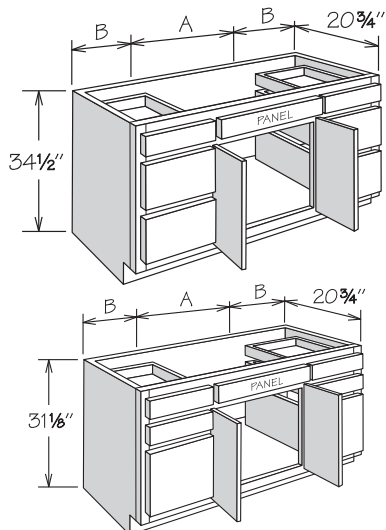
| |
|-----|
| CFO |
| RD |
| RTK |
| VTK |

34 1/2" HIGH
VSDB4234H BK BUTT

31 1/8" HIGH
VSDB42 BK BUTT



Vanity Combo Sink Base • 2 Butt Doors and 6 Drawers



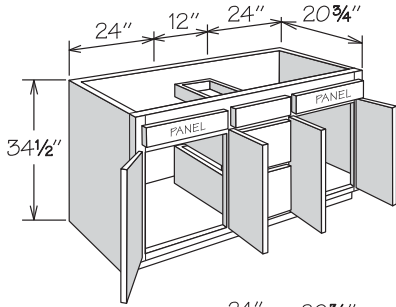
- No shelf
- Subtract 1 1/2" from depth and dimension A for available sink bowl opening - removal of corner blocks may be required

| |
|-----|
| CFO |
| RD |
| RTK |
| VTK |

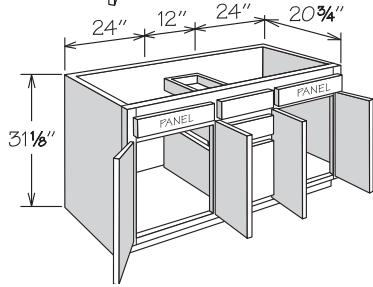
| | 34 1/2" HIGH | | 31 1/8" HIGH | | |
|--------------------|---------------------|-----|---------------------|-----|-----|
| | A | B | A | B | |
| VSDB4834HD BK BUTT | 24" | 12" | VSDB48D BK BUTT | 24" | 12" |
| VSDB5434HD BK BUTT | 24" | 15" | VSDB54D BK BUTT | 24" | 15" |
| VSDB6034HD BK BUTT | 30" | 15" | VSDB60D BK BUTT | 30" | 15" |

Vanity Combo Sink Base • 4 Butt Doors and 3 Drawers

| |
|-----|
| CFO |
| RD |
| RTK |



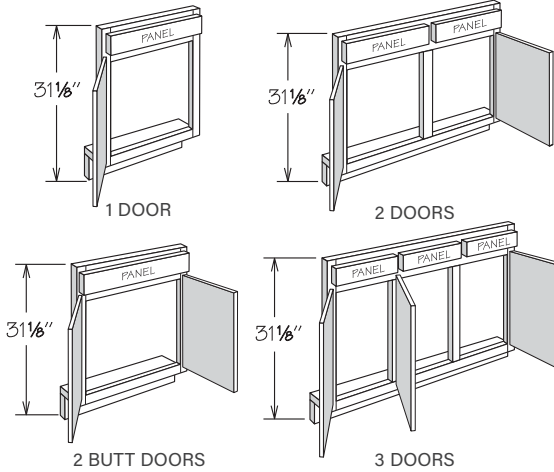
- No shelf
- Subtract 1/2" from depth and each 24" dimension for available sink bowl openings



34 1/2" HIGH
VSDB6034HC BK BUTT

31 1/8" HIGH
VSDB60C BK BUTT

Vanity Sink Front



- Not trimmable
- Order floor and returns separately (field trimming may be required) – refer to Panel Section for availability (page 139)
- VSF48 hinged as shown, can be reversed in field

31 1/8" HIGH

1 Door

VSF21

2 Butt Doors

VSF24 BUTT

VSF30 BUTT

VSF36 BUTT

2 Doors

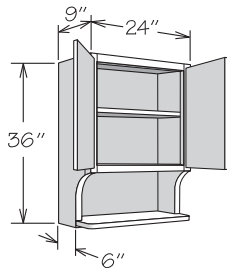
VSF39

VSF42

3 Doors

VSF48

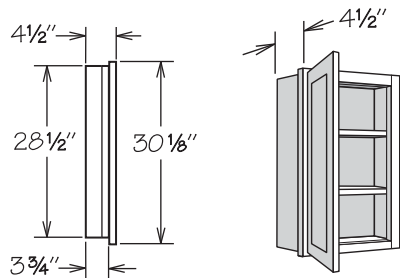
Valet Cabinet • 2 Butt Doors



- Matching interior standard
- Flush sides with no face frame or 1/4" reveals
- Bottom opening: 22 1/2" x 10 7/8"
- Features a fixed shelf
- Sides and bottom shelf feature 3/4" engineered wood veneered on both sides

36" HIGH
VC2436 BUTT

Medicine Cabinet • 1 Door

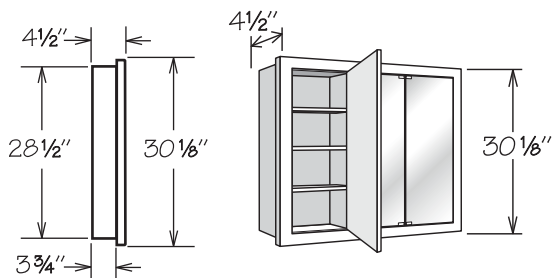


- Two adjustable engineered wood shelves
- Surface or recess mount
- MCM1530 features a mirrored door
- For surface mount installation of wood door styles, trim and apply WEP30 (order separately) to match finish on exterior sides to cabinet frame

| 28 1/2" HIGH | RECESS MOUNT CUTOUT WIDTH | RECESS MOUNT CUTOUT HEIGHT |
|--------------|---------------------------|----------------------------|
| MC1530 | 14 1/2" | 28 1/2" |
| MCM1530 | 14 1/2" | 28 1/2" |

Tri-View Mirror • 3 Doors

NEW! PRODUCT

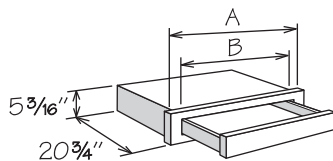


- **UPDATE:** Now features shaker frame detail
- All three mirrored doors swing open for easy access to the six adjustable shelves
- Surface or recess mount
- For surface mount installation of wood door styles, trim and apply WEP30 (order separately) to match finish on exterior sides to cabinet frame
- Chrome hardware
- Painted Pewter, and Duraform/Painted Linen door styles feature Matching Interior standard

| | OVERALL WIDTH | OVERALL HEIGHT | RECESS MOUNT CUTOUT WIDTH | RECESS MOUNT CUTOUT HEIGHT |
|--------|---------------|----------------|---------------------------|----------------------------|
| TV3030 | 30" | 30 1/8" | 28 1/2" | 28 1/2" |
| TV3630 | 36" | 30 1/8" | 34 1/2" | 28 1/2" |

Kneehole Drawer Cabinet

RD

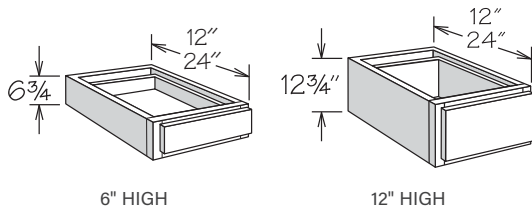


- Designed for desk or vanity application
- Field trimmable in height to 4 3/4"
- Field trimmable in depth to 18" or available with RD-20 through RD-12
- Drawer front complements door style - refer to door style section

| | A | B | MAX. TRIM |
|----------|-----|---------|------------------------|
| KDC27/21 | 27" | 17 3/4" | 21" (3" each side) |
| KDC33/27 | 33" | 23 3/4" | 27" (3" each side) |
| KDC36/33 | 36" | 29 3/4" | 33" (1 1/2" each side) |

Furniture Drawer Cabinet • 1 Drawer

| |
|------|
| CFO |
| RD ■ |



- 6" high features one standard drawer and 12" high features one large drawer
- 24" deep Furniture Drawer cabinets are only available with RD-23 through RD-13
- Bottom of cabinet frame must be fully supported

6" HIGH • 1 DRAWER

12" Deep

FD121206
FD151206
FD181206
FD211206
FD241206
FD271206
FD301206
FD331206
FD361206

24" Deep

FD122406 ■
FD152406 ■
FD182406 ■
FD212406 ■
FD242406 ■
FD272406 ■
FD302406 ■
FD332406 ■
FD362406 ■

12" HIGH • 1 DRAWER

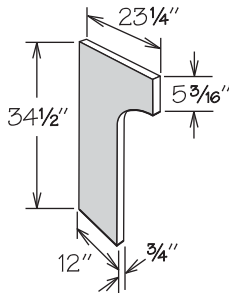
12" Deep

FD121212
FD151212
FD181212
FD211212
FD241212
FD271212
FD301212
FD331212
FD361212

24" Deep

FD122412 ■
FD152412 ■
FD182412 ■
FD212412 ■
FD242412 ■
FD272412 ■
FD302412 ■
FD332412 ■
FD362412 ■

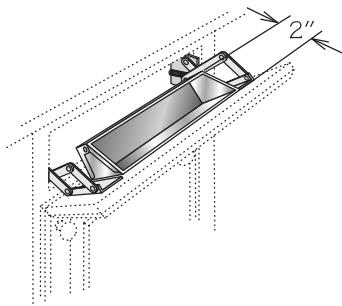
Desk End Panel



- All door styles feature 3/4" veneered engineered wood finished to match cabinet box exterior on both sides
- Recommend QM8 be ordered for installation to ensure proper attachment to wall
- Field trimmable
- Edge banded on front

34 1/2" HIGH
DEP

Tilt-Out Tray Kit



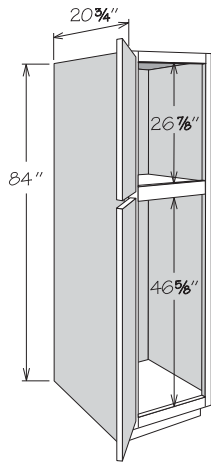
- Field installation accessory
- Kit features tray and one pair of scissor hinges
- For use on existing drawer panels
- Order one STO TRAY 11 for:
 - » VSB18 or VSB48 (center only)
 - » VAN48
 - » VSDB30 (above door only)
- Order one STO TRAY 14 for:
 - » VSB21, VSB24 or VSB27
 - » VSDB24, VSDB27, VSDB33, VSDB36 or VSDB39 (above door only)
 - » VSDB48D or VSDB54D
- Order two STO TRAY 14 for:
 - » VSB42 or VSB54
 - » VSDB60C
- Order one STO TRAY 22 for:
 - » VSB30, VSB33 or VSB36
 - » VAN54 or VAN60
 - » VSDB42
 - » VSDB60D
- Order two STO TRAY 22 for:
 - » VSB60
- Sink front, base height, and 18" deep units match vanity sink base sizes as noted above
- Tilt-Out Trays are NOT dishwasher safe

STAINLESS

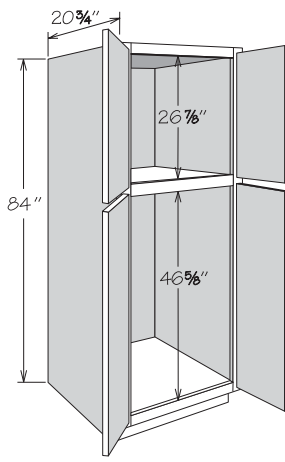
STO TRAY 11
STO TRAY 14
STO TRAY 22

Vanity Linen Cabinet

| |
|------|
| CFO |
| MI ■ |
| RD |



2 DOORS



4 BUTT DOORS

- Shelving and optional interior accessories may be ordered separately (refer to vanity linen cabinet accessories for details)
- Cabinet backs are pre-drilled to accept up to four sliding shelves in lower section
- Two door cabinets must be ordered hinged left or right
- Specialty Door cabinets (SD) feature Matching Interior standard and require a specialty door selection
- Bottom doors have a center rail for select door styles - refer to door style section

2 DOORS

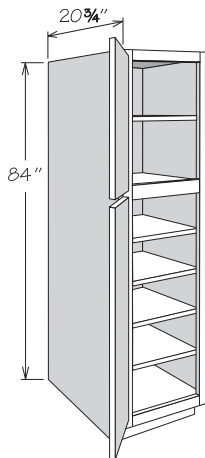
VLC122184 ■
 VLC152184 ■
 VLC182184 ■
 VLC122184 SD
 VLC152184 SD
 VLC182184 SD

4 BUTT DOORS

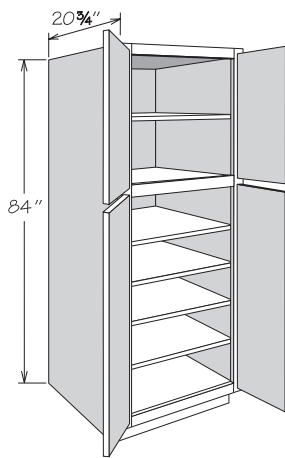
VLC242184 BUTT ■
 VLC242184 BUTT SD

Vanity Linen Cabinet • with Adjustable Shelves

| |
|------|
| MI ■ |
| RD |



2 DOORS



4 BUTT DOORS

- Features one full-depth adjustable shelf in top section and four full-depth adjustable shelves in lower section
- Full-depth adjustable shelves are 3/4" engineered wood and edge banded on front edge only
- All shelving packaged separately
- Two door cabinets must be ordered hinged left or right
- Specialty Door cabinets (SD) feature Matching Interior standard and require a specialty door selection
- Bottom doors have a center rail for select door styles - refer to door style section

2 DOORS

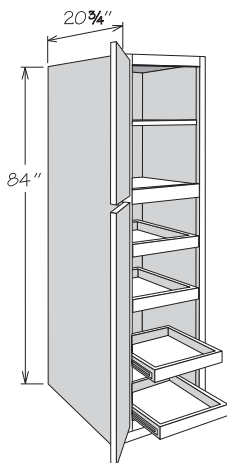
VLC122184 AS ■
 VLC152184 AS ■
 VLC182184 AS ■
 VLC122184 AS SD
 VLC152184 AS SD
 VLC182184 AS SD

4 BUTT DOORS

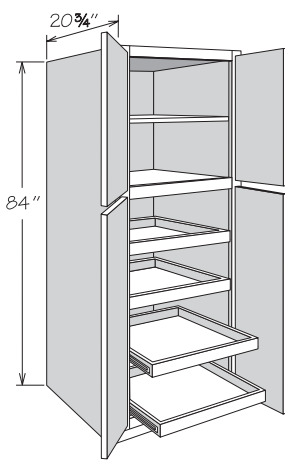
VLC242184 AS BUTT ■
 VLC242184 AS BUTT SD

Vanity Linen Cabinet • with Sliding Shelves

| |
|------|
| MI ■ |
| RD |



2 DOORS



4 BUTT DOORS

- Features one full-depth adjustable shelf in top section and four sliding shelves in lower section
- Full-depth adjustable shelf is 3/4" engineered wood and edge banded on front edge only
- Adjustable shelf and sliding shelves packaged separately
- Engineered wood sliding shelves included for all construction types
- Two door cabinets must be ordered hinged left or right
- Specialty Door cabinets (SD) feature Matching Interior standard and require a specialty door selection
- Bottom doors have a center rail for select door styles - refer to door style section

2 DOORS

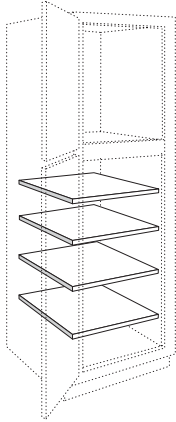
VLC122184 4SSK ■
 VLC152184 4SSK ■
 VLC182184 4SSK ■
 VLC122184 4SSK SD
 VLC152184 4SSK SD
 VLC182184 4SSK SD

4 BUTT DOORS

VLC242184 4SSK BUTT ■
 VLC242184 4SSK BUTT SD

Vanity Linen Cabinet • Adjustable Shelves

| |
|----|
| MI |
| RD |



- Field installation accessory
- 3/4" engineered wood
- Edge banded on front edge only
- CLIP LOCK shelf rests included

ADJUSTABLE SHELF

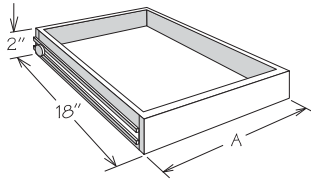
S1221
S1521
S1821
S2421

4 PACK SHELF KIT

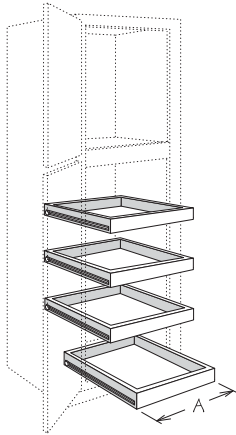
SK1221
SK1521
SK1821
SK2421

Vanity Linen Cabinet • Sliding Shelves

| |
|----|
| RD |
|----|



- Field installation accessory
- Engineered wood sliding shelves with solid hardwood front, MDF bottom, and side-mounted drawer glides
- Includes sliding shelf, all glide hardware, and instructions



SLIDING SHELF KIT

SSK1221
SSK1521
SSK1821
SSK2421

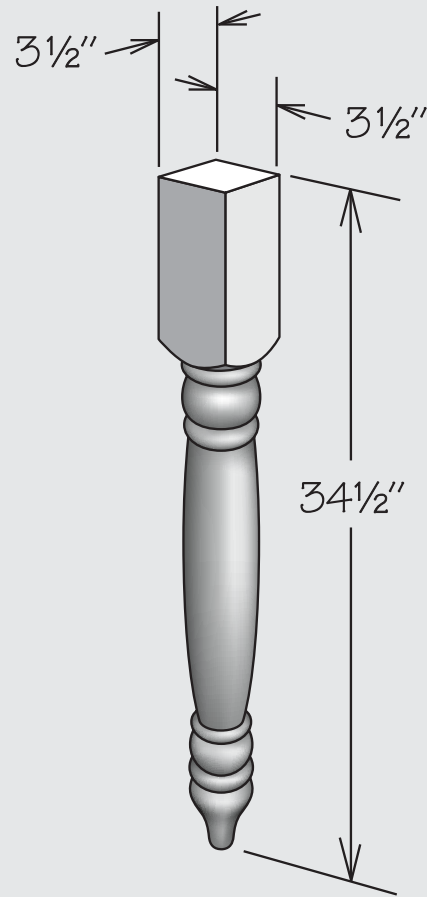
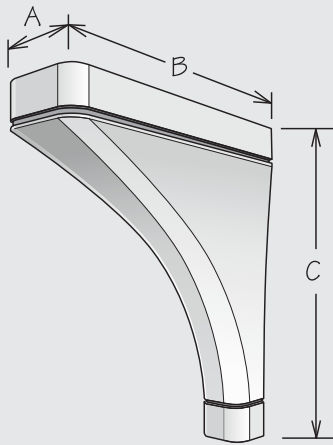
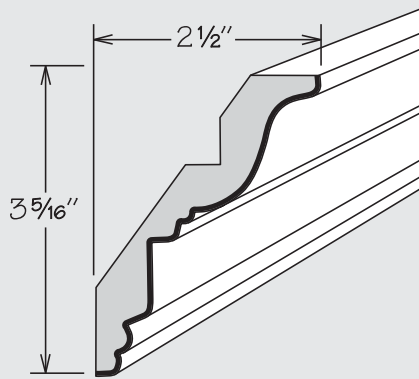
4 PACK SLIDING SHELF KIT

USS1221-4K
USS1521-4K
USS1821-4K
USS2421-4K

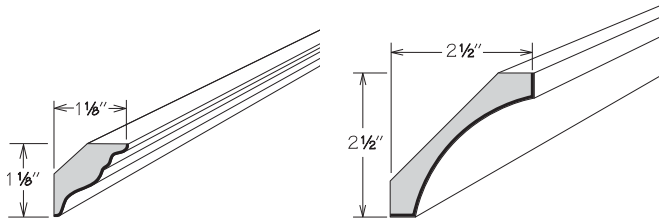
A

8 1/2"
11 1/2"
14 1/2"
20 1/2"

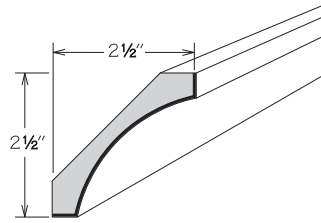
MOLDING & DECORATIVE ACCENTS



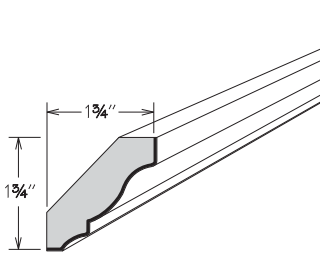
Crown Molding



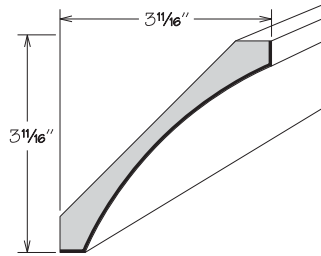
SOFFIT



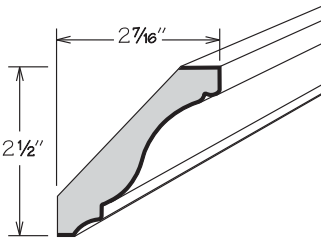
SMALL COVE



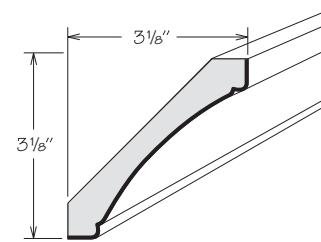
CROWN



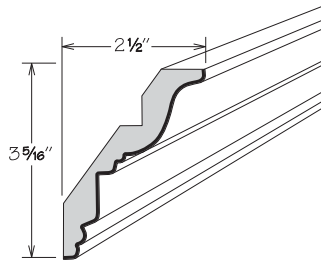
LARGE COVE



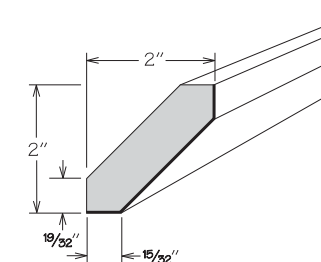
LARGE CROWN



DECORATIVE COVE



TRADITIONAL CLASSIC



ANGLE

- 94" long
- Solid wood finished to match cabinet box exterior
- TCCM8 may use OGE8, SBIM8, or SIM8 as accent
- Bold line indicates finished surfaces

SOFFIT

SCM8

SMALL COVE

SCVM8

CROWN

CM8

LARGE COVE

LCVM8

LARGE CROWN

LCM8

DECORATIVE COVE

DCVM8

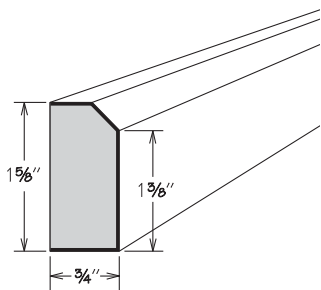
TRADITIONAL CLASSIC

TCCM8

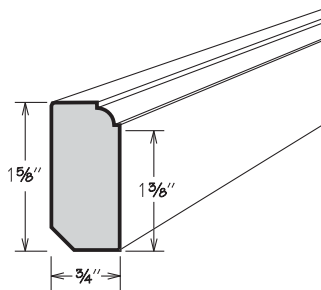
ANGLE

ACM8

Edge Molding



CONTEMPORARY TRIM



DECORATIVE TRIM

- 94" long
- Solid wood finished to match cabinet box exterior
- Can be used as light rail molding (cleating may be required)
- Bold line indicates finished surfaces

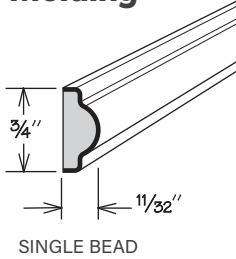
CONTEMPORARY TRIM

CTM8

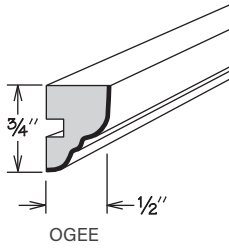
DECORATIVE TRIM

DCTM8

Inset Molding



SINGLE BEAD



OGEE

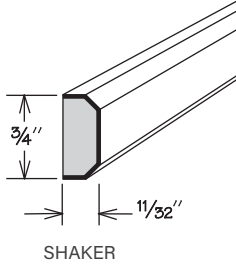
- 94" long
- Solid wood finished to match cabinet box exterior
- May be used as accent on TCCM8 and ILR8
- Bold line indicates finished surfaces

SINGLE BEAD

SBIM8

OGEE

OGE8

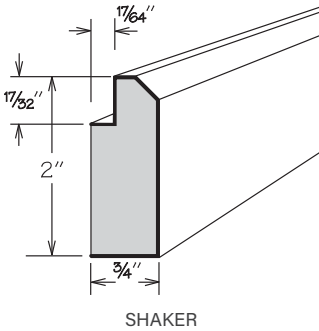


SHAKER

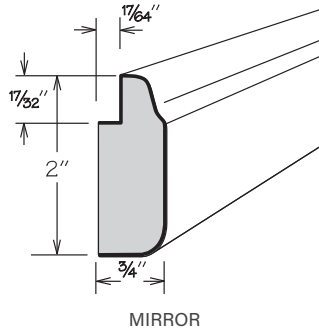
SHAKER

SIM8

Mirror Molding



SHAKER



MIRROR

- 94" long
- Solid wood finished to match cabinet box exterior
- Bold line indicates finished surfaces

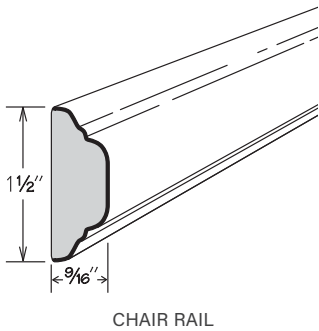
SHAKER

SMM8

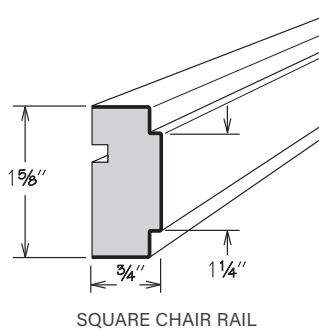
MIRROR

MM8

Chair Rail and Specialty Molding



CHAIR RAIL



SQUARE CHAIR RAIL

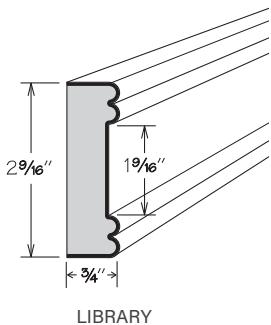
- 94" long
- Solid wood finished to match cabinet box exterior
- May be used as vertical decorative molding (i.e. seams between bookshelves or in lieu of an overlay filler)
- Bold line indicates finished surfaces

CHAIR RAIL

CR8

SQUARE CHAIR RAIL

SQCR8

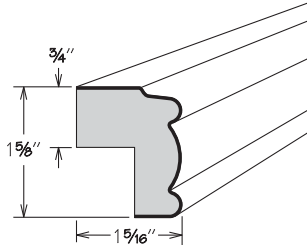


LIBRARY

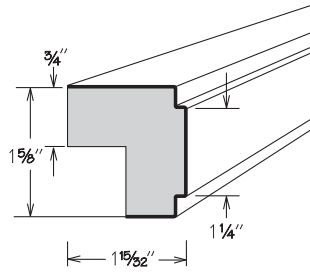
LIBRARY

LBM8

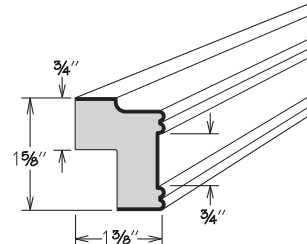
Light Rail Molding



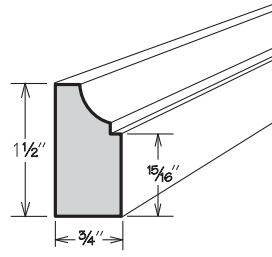
SMALL TRADITIONAL



SQUARE



INSET



CLASSIC TRIM

- 94" long
- Solid wood finished to match cabinet box exterior
- ILR8 and LBM8 may use SBIM8 or SIM8 as accent
- CLTM8 can be used as light rail or edge molding (cleating may be required when used as light rail)
- Bold line indicates finished surfaces

SMALL TRADITIONAL

STLR8

SQUARE

SCLR8

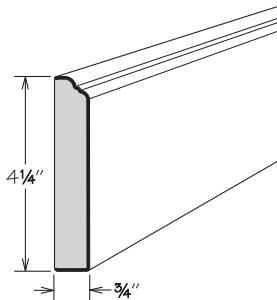
INSET

ILR8

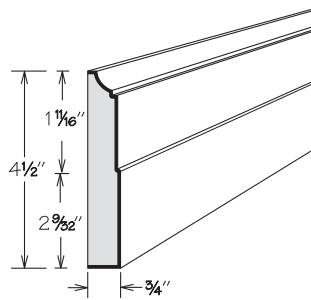
CLASSIC TRIM

CLTM8

Base Molding



OGEE PILASTER



CLASSIC BASEBOARD

- 94" long
- Solid wood finished to match cabinet box exterior
- For use with furniture toe or top molding applications
- Bold line indicates finished surfaces

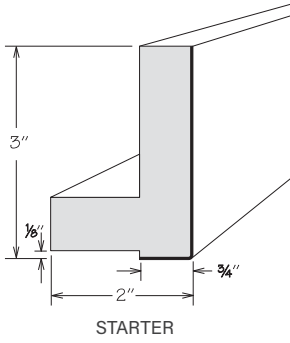
OGEE PILASTER

OGP8

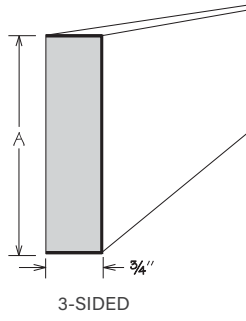
CLASSIC BASEBOARD

CLBM8

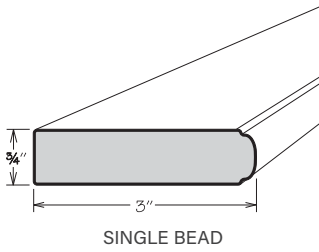
Molding Stock



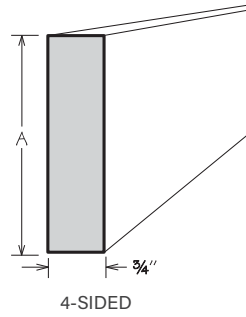
STARTER



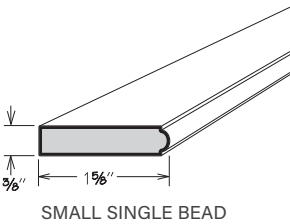
3-SIDED



SINGLE BEAD



4-SIDED

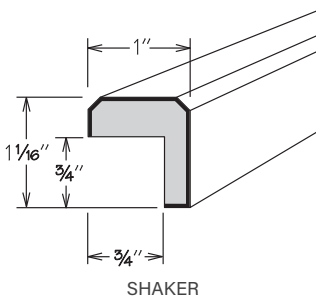


SMALL SINGLE BEAD

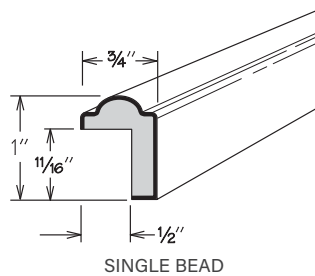
- Solid wood finished to match cabinet box exterior
- 3-Sided and 4-Sided Stock may also be used in vertical applications (as a filler) or horizontal applications (as furniture toe)
- Bold line indicates finished surfaces

| | LENGTH | | LENGTH |
|--------------------------|--------|----------------|--------|
| STARTER | | 3-SIDED | |
| STRM8 | 94" | S3S396 | 96" |
| | | S3S696 | 96" |
| SINGLE BEAD | | 4-SIDED | |
| SBM8 | 94" | S4S396 | 96" |
| SMALL SINGLE BEAD | | S4S696 | 96" |
| SSBM8 | 94" | | |

Accent Molding



SHAKER



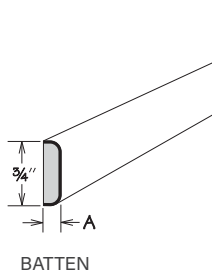
SINGLE BEAD

- 94" long
- Solid wood finished to match cabinet box exterior
- May be used as accent on Wall China, Wine Storage and Base Microwave cabinets
- Bold line indicates finished surfaces

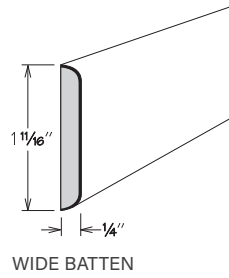
SHAKER
SAM8

SINGLE BEAD
SBAM8

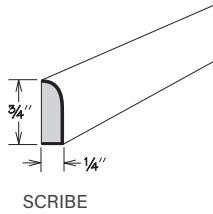
Trim Molding



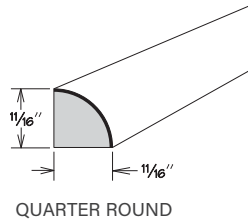
BATTEN



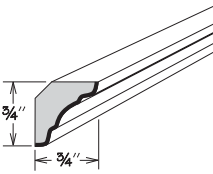
WIDE BATTEN



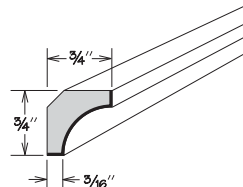
SCRIBE



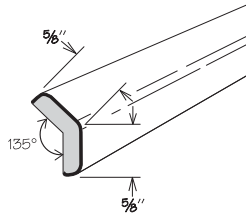
QUARTER ROUND



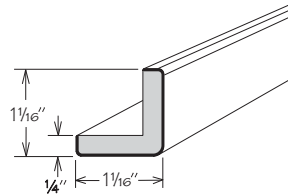
DECORATIVE INSIDE CORNER



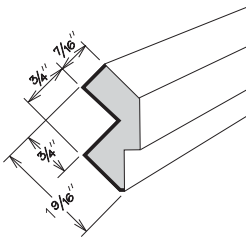
INSIDE CORNER



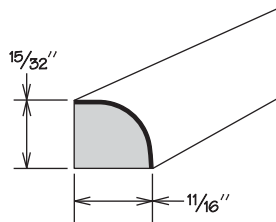
ANGLED OUTSIDE CORNER



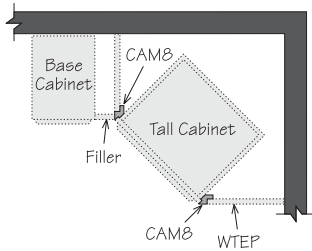
OUTSIDE CORNER



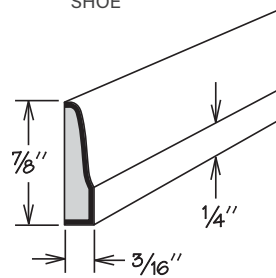
CABINET ANGLE



SHOE



Top View

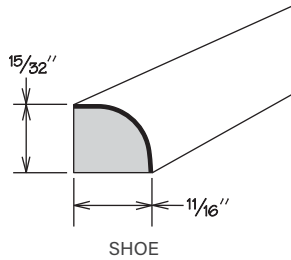
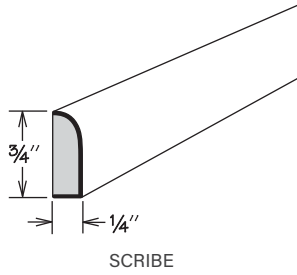
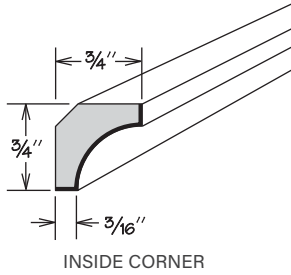
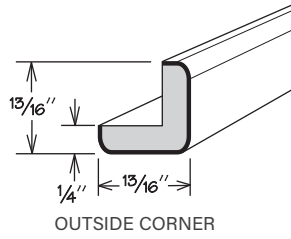
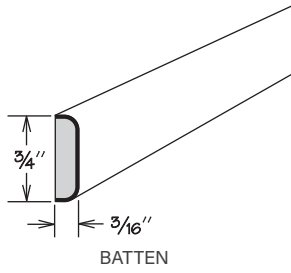


STRAIGHT TRIM

- Solid wood finished to match cabinet box exterior
- Cabinet Angle Molding (CAM8):
 - » Can be used in corner application to place cabinet at 45° angle
- Bold line indicates finished surfaces

| | A | LENGTH | | LENGTH |
|---------------------------------|------|--------|-----------------------|--------|
| BATTEN | | | WIDE BATTEN | |
| BM8 | 3/8" | 94" | WBM8 | 94" |
| SCRIBE | | | QUARTER ROUND | |
| SM8 | — | 94" | QR8 | 94" |
| SM10 | — | 120" | INSIDE CORNER | |
| DECORATIVE INSIDE CORNER | | | QM8 | 94" |
| ICM8 | — | 94" | OUTSIDE CORNER | |
| ANGLED OUTSIDE CORNER | | | OTCM8 | 94" |
| AOSC8 | — | 94" | SHOE | |
| CABINET ANGLE | | | SHM8 | 94" |
| CAM8 | — | 94" | STRAIGHT TRIM | |
| | | | UM8 | 94" |

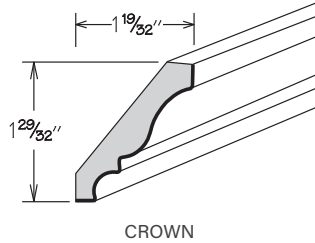
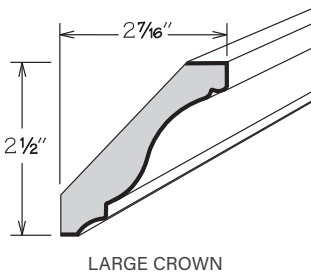
Builder Trim Molding



- All finishes feature stained, painted, or laminate wrapped hardwood or MDF finished to match cabinet box exterior
- Bold line indicates finished surfaces

| | LENGTH | | LENGTH |
|----------------------|--------|-----------------------|--------|
| BATTEN | | OUTSIDE CORNER | |
| BM8 BLD | 94" | OCM8 BLD | 94" |
| INSIDE CORNER | | SCRIBE | |
| QM8 BLD | 94" | SM8 BLD | 96" |
| SHOE | | | |
| SHM8 BLD | 94" | | |

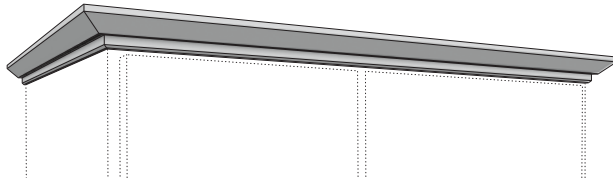
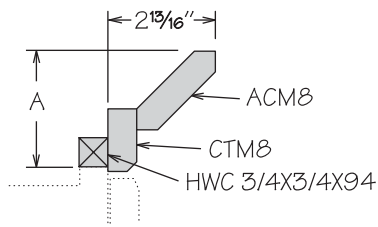
Builder Crown Molding



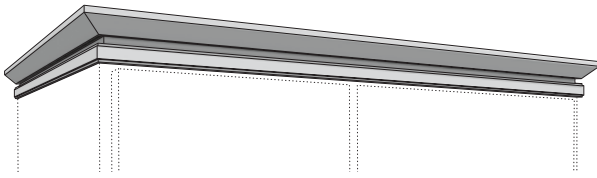
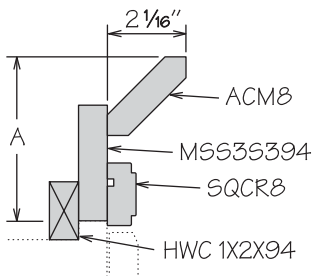
- 94" long
- All finishes feature stained, painted, or laminate wrapped hardwood or MDF finished to match cabinet box exterior
- Bold line indicates finished surfaces

| LARGE CROWN | CROWN |
|--------------------|--------------|
| LCM8 BLD | CM8 BLD |

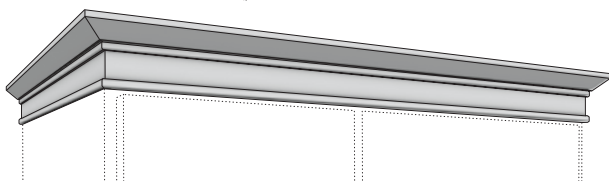
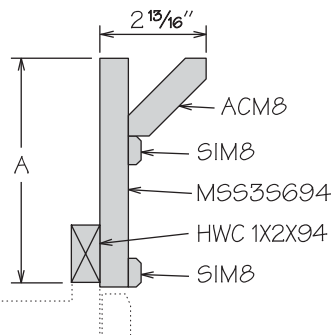
Molding Stack • Modern



MODERN 100



MODERN 200

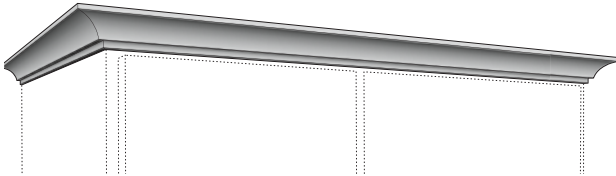
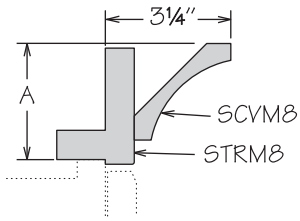


MODERN 300

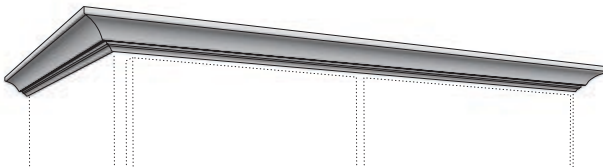
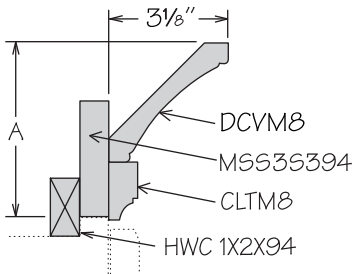
- 94" long
- All door styles feature solid wood finished to match cabinet box exterior
- Height dimensions are above the face-frame height when used as shown
- Modern 100 pre-packaged molding kit includes:
 - » ACM8
 - » CTM8
 - » HWC 3/4X3/4X94
- Modern 200 pre-packaged molding kit includes:
 - » ACM8
 - » MSS3S394
 - » SQCR8
 - » HWC 1X2X94
- Modern 300 pre-packaged molding kit includes:
 - » ACM8
 - » SIM8 (2)
 - » MSS3S694
 - » HWC 1X2X94
- Molding Stacks shipped unassembled
- Molding Stacks to be cut, assembled and field installed at job site
- Only one finish can be specified per Molding Stack
- Molding Stack diagram included
- Refer to specifications on individual molding included in molding stack

| MODERN | HEIGHT SHOWN | A MIN. | A MAX. |
|---------------|--------------|---------|--------|
| MS MODERN 100 | 3" | 2 3/16" | 3" |
| MS MODERN 200 | 4 1/4" | 3 3/16" | 4 1/2" |
| MS MODERN 300 | 5 7/8" | 5 7/8" | 7 3/8" |

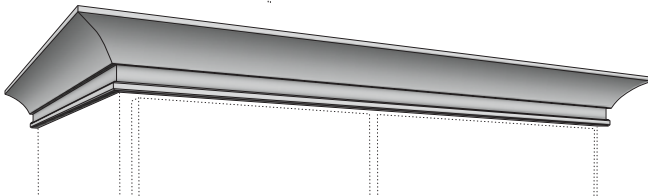
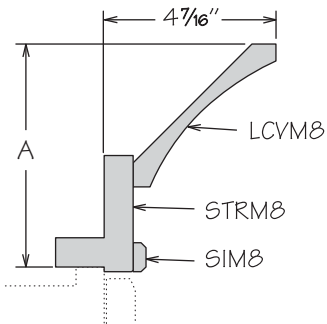
Molding Stack • Transitional



TRANSITIONAL 100



TRANSITIONAL 200

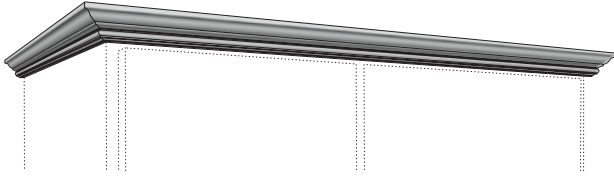
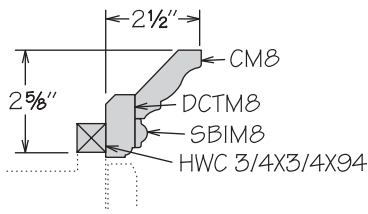


TRANSITIONAL 300

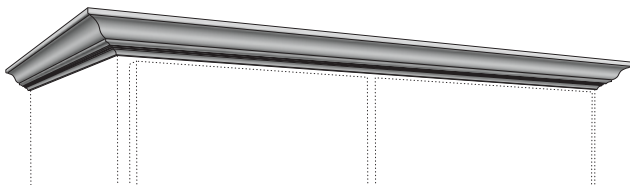
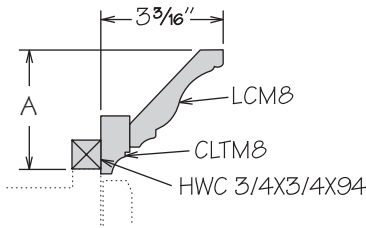
- 94" long
- All door styles feature solid wood finished to match cabinet box exterior
- Height dimensions are the above-face-frame height when used as shown
- Transitional 100 pre-packaged molding kit includes:
 - » SCVM8
 - » STRM8
- Transitional 200 pre-packaged molding kit includes:
 - » DCVM8
 - » MSS3S394
 - » CLTM8
 - » HWC 1X2X94
- Transitional 300 pre-packaged molding kit includes:
 - » LCVM8
 - » STRM8
 - » SIM8
- Molding Stacks shipped unassembled
- Molding Stacks to be cut, assembled and field installed at job site
- Only one finish can be specified per Molding Stack
- Molding Stack diagram included
- Refer to specifications on individual molding included in molding stack

| TRANSITIONAL | HEIGHT SHOWN | A MIN. | A MAX. |
|---------------------|--------------|---------|----------|
| MS TRANSITIONAL 100 | 3" | 2 7/8" | 4 3/4" |
| MS TRANSITIONAL 200 | 4 1/2" | 4 1/2" | 5 1/2" |
| MS TRANSITIONAL 300 | 5 3/4" | 4 5/16" | 5 15/16" |

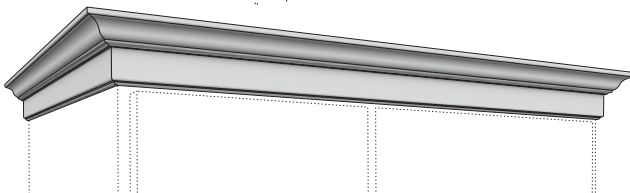
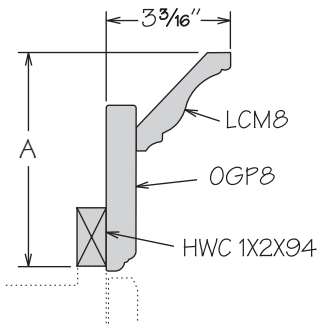
Molding Stack • Classic



CLASSIC 100



CLASSIC 200

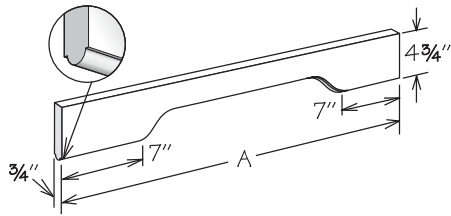


CLASSIC 300

- 94" long
- All door styles feature solid wood finished to match cabinet box exterior
- Height dimensions are the above-face-frame height when used as shown
- Classic 100 pre-packaged molding kit includes:
 - » CM8
 - » DCTM8
 - » SBIM8
 - » HWC 3/4X3/4X94
- Classic 200 pre-packaged molding kit includes:
 - » LCM8
 - » CLTM8
 - » HWC 3/4X3/4X94
- Classic 300 pre-packaged molding kit includes:
 - » LCM8
 - » OGP8
 - » HWC 1X2X94
- Molding Stacks shipped unassembled
- Molding Stacks to be cut, assembled and field installed at job site
- Only one finish can be specified per Molding Stack
- Molding Stack diagram included
- Refer to specifications on individual molding included in molding stack

| CLASSIC | HEIGHT SHOWN | A MIN. | A MAX. |
|----------------|--------------|----------|---------|
| MS CLASSIC 100 | 2 5/8" | - | - |
| MS CLASSIC 200 | 3 1/16" | 2 15/16" | 3 5/16" |
| MS CLASSIC 300 | 5 1/2" | 4 1/8" | 6" |

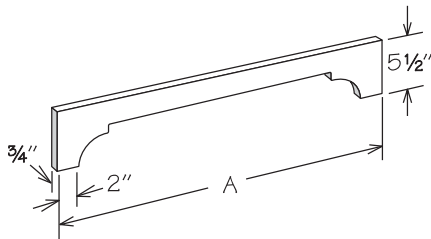
Arched Valance



- Field trimmable
- All door styles feature solid wood finished to match cabinet box exterior
- Dimension from height of arch to top of valance is 2 1/8"

| | A | MAX. TRIM (6 1/8" each end) |
|--------|---------|--------------------------------|
| V36 AR | 36 1/4" | 24" |
| V48 AR | 48 1/4" | 36" |
| V60 AR | 60 1/4" | 48" |
| V72 AR | 72 1/4" | 60" |

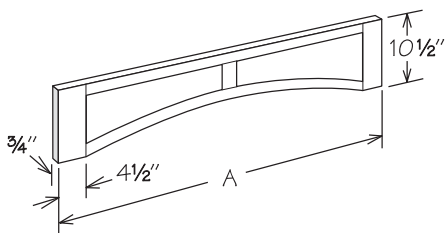
Crown Valance



- Field trimmable
- All door styles feature solid wood finished to match cabinet box exterior
- Dimension from height of arch to top of valance is 2 1/4"

| | A | MAX. TRIM (1 1/2" each end) |
|--------|---------|--------------------------------|
| V30 CR | 30 1/4" | 27 1/4" |
| V36 CR | 36 1/4" | 33 1/4" |
| V42 CR | 42 1/4" | 39 1/4" |
| V48 CR | 48 1/4" | 45 1/4" |

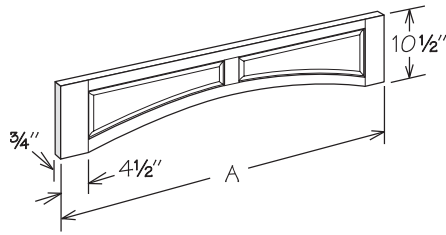
Flat Panel Arched Valance



- Field trimmable
- All door styles feature solid wood finished to match cabinet box exterior
- Dimension from height of arch to top of valance is 8 1/2"

| | A | MAX. TRIM (3" each end) | NUMBER OF PANELS |
|--------|-----|----------------------------|---------------------|
| V36 FP | 36" | 30" | 2 |
| V42 FP | 42" | 36" | 2 |
| V48 FP | 48" | 42" | 2 |
| V54 FP | 54" | 48" | 3 |

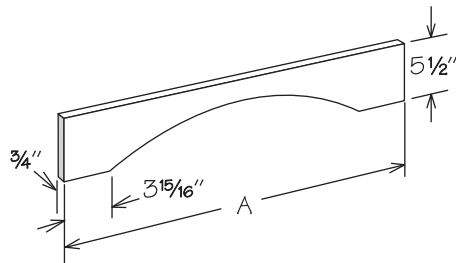
Raised Panel Arched Valance



- Field trimmable
- All door styles feature solid wood finished to match cabinet box exterior
- Dimension from height of arch to top of valance is 8 1/2"

| | A | MAX. TRIM (3" each end) | NUMBER OF PANELS |
|--------|-----|----------------------------|---------------------|
| V36 RP | 36" | 30" | 2 |
| V42 RP | 42" | 36" | 2 |
| V48 RP | 48" | 42" | 2 |
| V54 RP | 54" | 48" | 3 |

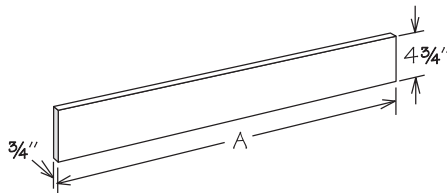
Shaker Valance



- Field trimmable
- All door styles feature solid wood finished to match cabinet box exterior
- Dimension from height of arch to top of valance is 2 1/4"

| | A | MAX. TRIM (3 3/8" each end) |
|--------|---------|--------------------------------|
| V30 SH | 30 1/4" | 24" |
| V36 SH | 36 1/4" | 30" |
| V42 SH | 42 1/4" | 36" |
| V48 SH | 48 1/4" | 42" |
| V60 SH | 60 1/4" | 54" |
| V72 SH | 72 1/4" | 66" |

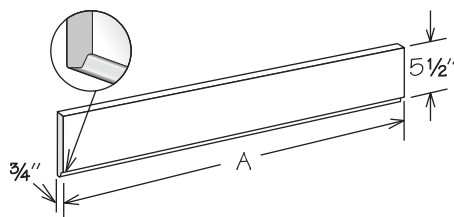
Straight Valance



- Field trimmable
- All door styles feature solid wood finished to match cabinet box exterior

| | A |
|-------|---------|
| V48 S | 48 1/4" |
| V72 S | 72 1/4" |

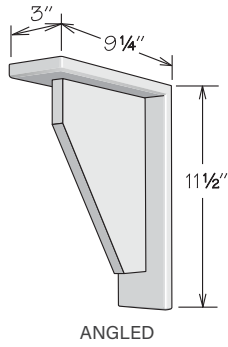
Traditional Valance



- Field trimmable
- All door styles feature solid wood finished to match cabinet box exterior

| | A |
|-------|---------|
| V36 T | 36 1/4" |
| V72 T | 72 1/4" |
| V96 T | 96 1/4" |

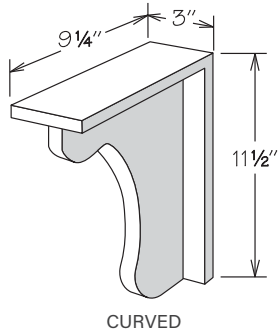
Angled Corbel



- All door styles feature 5/8" solid wood finished to match cabinet box exterior
- For decorative use only

AS12

Curved Corbel

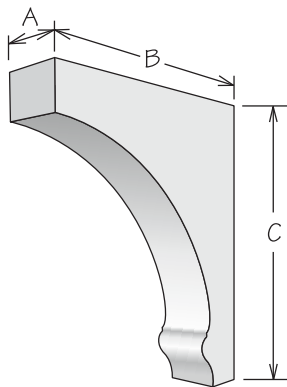


- All door styles feature 5/8" solid wood finished to match cabinet box exterior
- For decorative use only

CS12

Classic Corbels

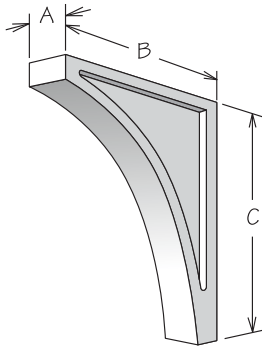
NEW! PRODUCTS



- All door styles feature solid wood finished to match cabinet box exterior
- Recessed mounting clips included
- For decorative use only

| | A | B | C |
|--------|----|----|-----|
| CLC29 | 2" | 5" | 9" |
| CLC212 | 2" | 9" | 12" |

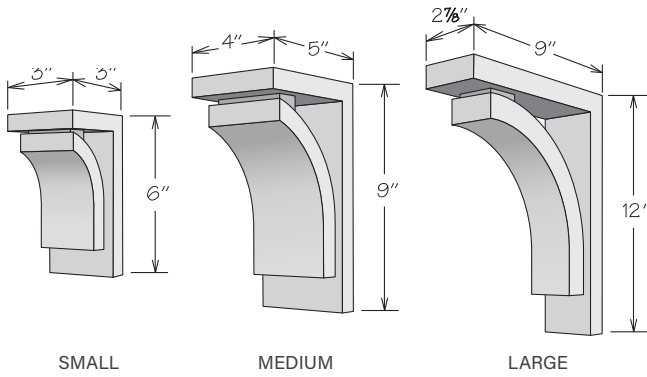
Cove Corbels



- All door styles feature solid wood finished to match cabinet box exterior - glazed finishes will be glazed
- Recessed mounting clips included
- For decorative use only

| | A | B | C |
|-------|--------|----|-----|
| CC29 | 1 3/4" | 6" | 9" |
| CC49 | 4" | 5" | 9" |
| CC212 | 1 3/4" | 8" | 12" |

Prairie Corbels

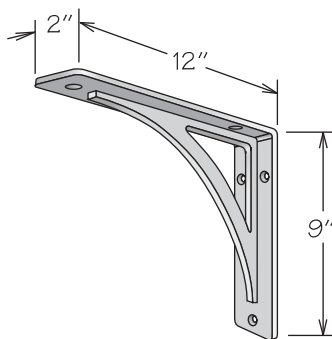


- All door styles feature solid wood finished to match cabinet box exterior
- Recessed mounting clips included
- For decorative use only

| SMALL | LARGE |
|--------|-------|
| PC36 | PC312 |
| MEDIUM | |
| PC49 | |

Metal Cove Corbel

NEW! FINISH



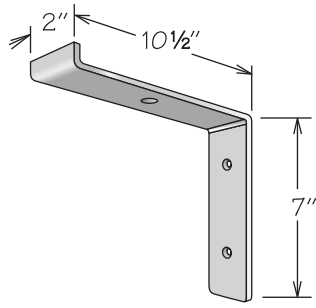
- Mounting clips included
- Can be installed using either height orientation
- Installation instructions included
- Will support up to 100 lbs. when installed per included installation instructions

| | FINISH |
|-------------------|---------------|
| METAL COVE 212 BG | Brushed Gold |
| METAL COVE 212 VB | Verona Bronze |
| METAL COVE 212 MB | Matte Black |
| METAL COVE 212 SN | Satin Nickel |

Metal Emerson Corbel

NEW!

FINISH



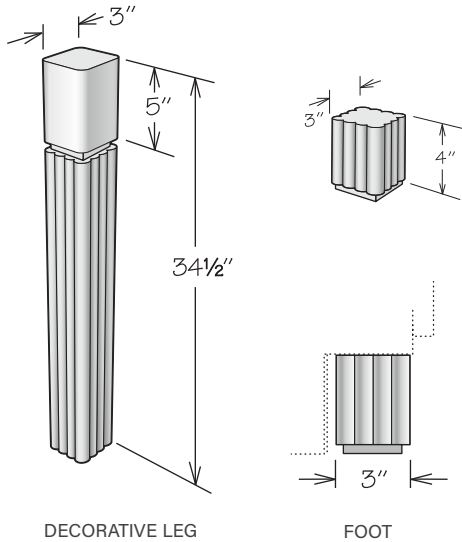
- Mounting clips included
- Installation instructions included
- Will support up to 100 lbs. when installed per included installation instructions

| | FINISH |
|---------------------|---------------|
| METAL EMERSON 27 BG | Brushed Gold |
| METAL EMERSON 27 VB | Verona Bronze |
| METAL EMERSON 27 MB | Matte Black |
| METAL EMERSON 27 SN | Satin Nickel |

Aria Legs and Foot

NEW!

PRODUCT



DECORATIVE LEG

FOOT

- All door styles feature solid wood finished to match cabinet box exterior
- Leg is field trimmable
- Recommend ordering Table Skirting Furniture Bracket (TSFB) separately for decorative leg installation

DECORATIVE LEG

ARDL

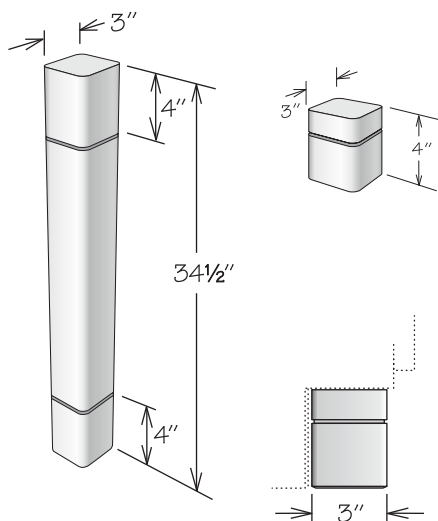
FOOT

ARDF

Era Legs and Foot

NEW!

PRODUCT



DECORATIVE LEG

FOOT

- All door styles feature solid wood finished to match cabinet box exterior
- Leg is field trimmable
- Recommend ordering Table Skirting Furniture Bracket (TSFB) separately for decorative leg installation

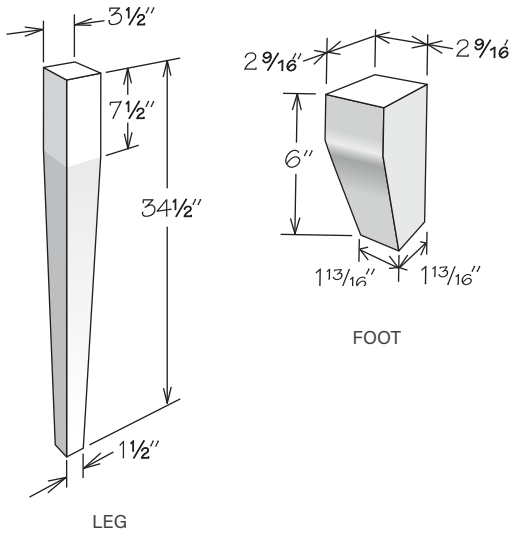
DECORATIVE LEG

ERDL

FOOT

ERDF

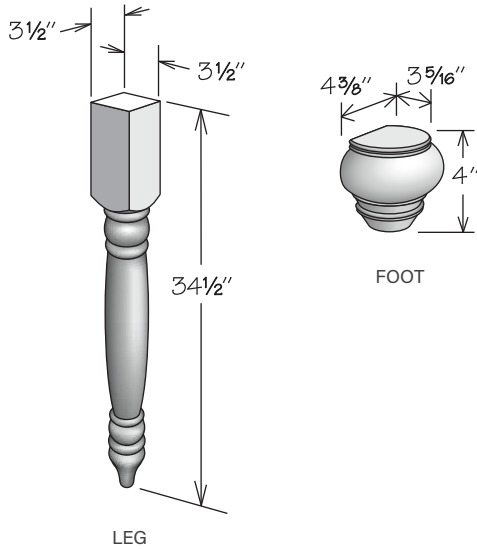
Base Tapered Leg and Foot



- All door styles feature solid wood finished to match cabinet box exterior
- Base Tapered Leg is tapered on all sides and is field trimmable
- Base Tapered Foot is tapered on two sides and is field trimmable to 4" high
- Recommend ordering Table Skirting Furniture Bracket (TSFB) separately for decorative leg installation

| LEG | FOOT |
|------|------|
| BTPL | TPF |

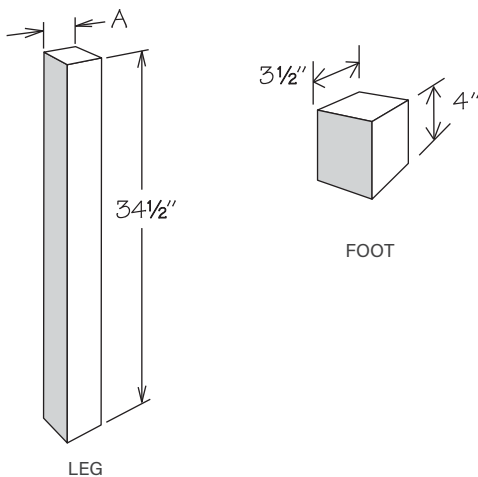
Base Turned Leg and Feet



- All door styles feature solid wood finished to match cabinet box exterior - glazed finishes will be glazed
- Base Turned Leg is field trimmable to 28 1/2" high
- Recommend ordering Table Skirting Furniture Bracket (TSFB) separately for decorative leg installation

| LEG | FOOT |
|-----|------|
| BTL | ATF |

Base Square Leg and Foot NEW! SIZE



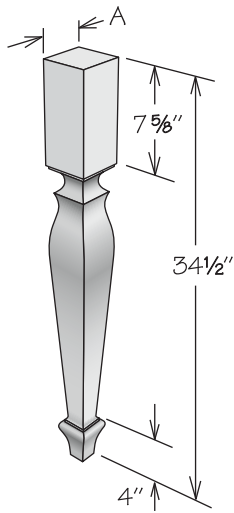
- All door styles feature solid wood finished to match cabinet box exterior
- Base Square Leg is field trimmable
- Recommend ordering Table Skirting Furniture Bracket (TSFB) separately for decorative leg installation

| DECORATIVE LEG | A | FOOT |
|----------------|--------|------|
| BSQL | 3 1/2" | BSQF |
| BSQL5 | 4 1/2" | - |

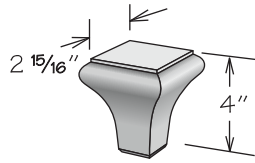
Chantilly Legs and Foot

NEW!

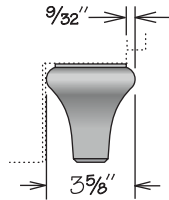
SIZE



DECORATIVE LEG



FOOT



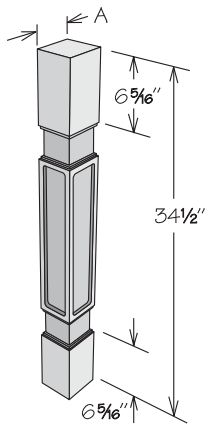
- All door styles feature solid wood finished to match cabinet box exterior - glazed finishes will be glazed
- Legs are field trimmable
- Recommend ordering Table Skirting Furniture Bracket (TSFB) separately for decorative leg installation

| DECORATIVE LEGS | A | FOOT |
|-----------------|--------|------|
| CDL | 3 1/2" | CDF |
| CDL5 | 4 1/2" | |

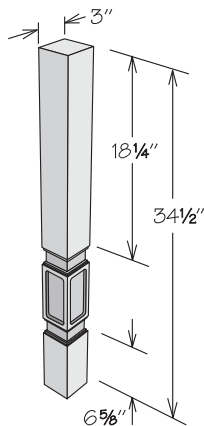
Parker Legs and Foot

NEW!

SIZE



DECORATIVE LEG

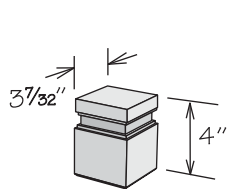


FURNITURE LEG

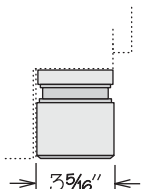
- All door styles feature solid wood finished to match cabinet box exterior - glazed finishes will be glazed
- Legs are field trimmable
- Recommend ordering Table Skirting Furniture Bracket (TSFB) separately for decorative leg installation

| DECORATIVE LEG | A | FURNITURE LEG |
|----------------|--------|---------------|
| PDL | 3 1/2" | PFL |
| PDL5 | 4 1/2" | |

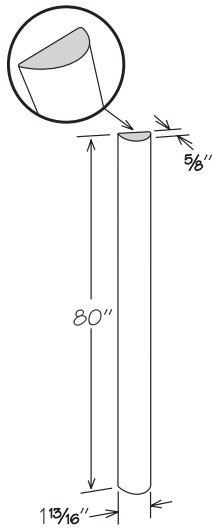
| FOOT |
|------|
| PDF |



FOOT



Split Post

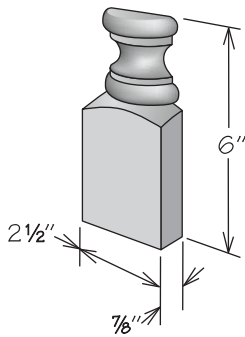


- All door styles feature solid wood finished to match cabinet box exterior
- Field trimmable
- Use with Traditional Split Block to create design element
- Must be mounted to a Universal Filler (order separately)

SPLIT POST

SPLT POST80 P

Traditional Split Block

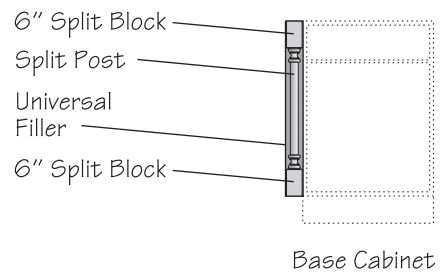
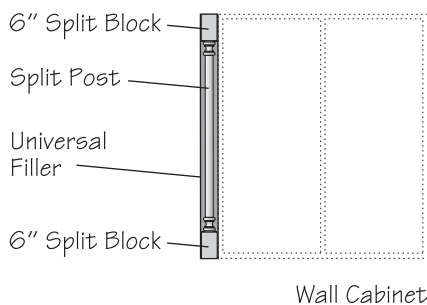


- All door styles feature solid wood finished to match cabinet box exterior
- For floor or wall application
- Use with Split Post to create design element
- Must be mounted to a Universal Filler (order separately)

SPLIT BLOCK

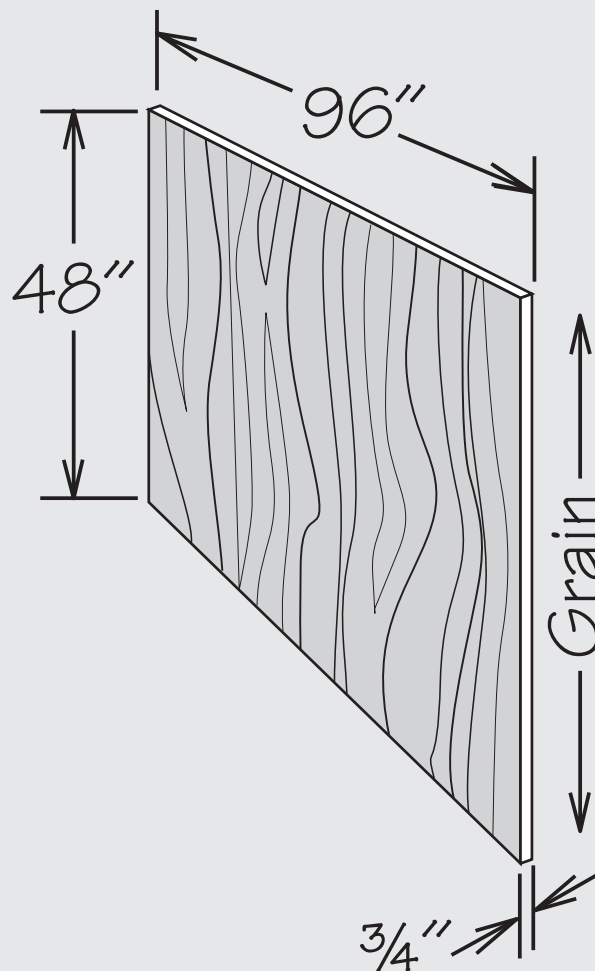
SPLT BLOCK26 T

SUGGESTED DESIGN APPLICATIONS

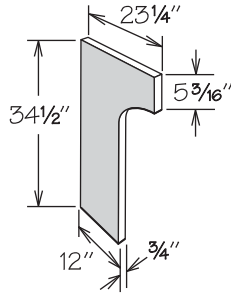


Notes

PANELS, FILLERS & INSTALLATION ITEMS



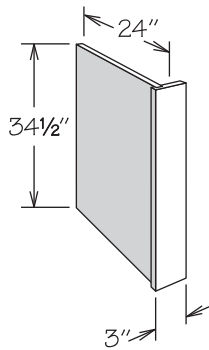
Desk End Panel



- All door styles feature 3/4" veneered engineered wood finished to match cabinet box exterior on both sides
- Recommend QM8 be ordered for installation to ensure proper attachment to wall
- Field trimmable
- Edge banded on front

DEP

Dishwasher Return

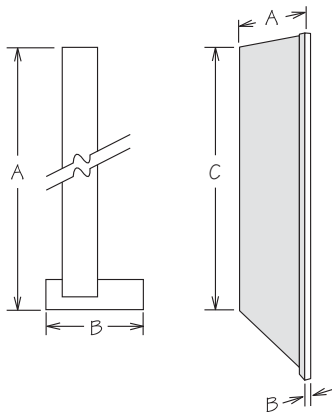


- Reversible for left or right installation
- Solid wood front
- All door styles feature 1/2" engineered wood with outside finished to match cabinet exterior and inside with a natural woodgrain look
- Wall attachment block included
- Field trimmable to 1" in width
- Can be notched for toe kick in the field

DWR3

Refrigerator Return • 1/2" Panel

MI
RD ■

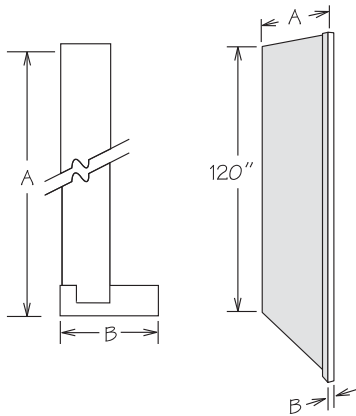


- Reversible for left or right installation
- Solid wood front
- 24" Deep Refrigerator Returns feature 1/2" engineered wood with outside finished to match cabinet exterior and inside with a natural woodgrain look
- 32" Deep Refrigerator Returns feature 1/2" plywood finished on outside to match cabinet exterior and interiors with a natural woodgrain look
- Front filler can be trimmed to a minimum of 1" wide
- Field trimmable in height, can be notched for toe kick

| | A | B | C |
|----------------|-----|--------|-----|
| RR84 ◆ | 24" | 1 5/8" | 84" |
| RR384 ◆ | 24" | 3" | 84" |
| RR96 ◆ | 24" | 1 5/8" | 96" |
| RR396 ◆ | 24" | 3" | 96" |
| RR84 X 32DP ■ | 32" | 1 5/8" | 84" |
| RR384 X 32DP ■ | 32" | 3" | 84" |
| RR96 X 32DP ■ | 32" | 1 5/8" | 96" |
| RR396 X 32DP ■ | 32" | 3" | 96" |

Refrigerator Return • 3/4" Panel

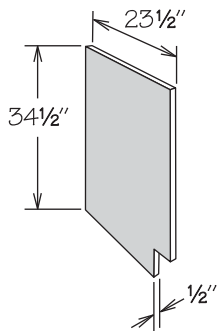
RD ■



- Reversible for left or right installation
- Solid wood front
- 24" Deep Refrigerator Returns feature 3/4" engineered wood finished on both sides to match cabinet box exterior
- 32" Deep Refrigerator Returns feature 3/4" plywood finished on both sides to match cabinet box exterior
- Front filler can be trimmed to a minimum of 1" wide
- Field trimmable in height, can be notched for toe kick

| | A | B |
|-------------------|-----|--------|
| RR120FL ◆ | 24" | 1 5/8" |
| RR3120FL ◆ | 24" | 3" |
| RR120FL X 32DP ■ | 32" | 1 5/8" |
| RR3120FL X 32DP ■ | 32" | 3" |

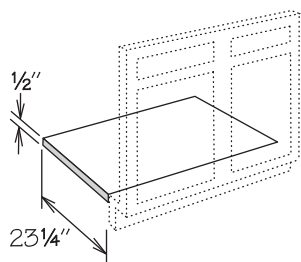
Sink/Vanity Front Return



- All door styles feature 1/2" engineered wood with outside to match cabinet exterior and inside with a natural woodgrain look
- Specify left or right
- Wall attachment block included
- Field trimmable

SFRR
SFRL

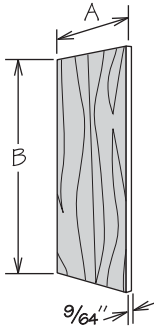
Sink/Vanity Front Floor



- All door styles feature 1/2" engineered wood with one side finished with a natural woodgrain look
- 1/2" oversize in width
- FL36X36 to be used for CSF36 (field trim to fit)
- FL48X48 to be used for CSF42 (field trim to fit)
- Field trimmable

FL24
FL36
FL36X36
FL48
FL48X48
FL60
FL72

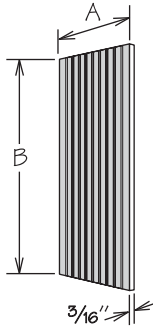
Paneling



- Wood door styles feature plywood, with vertical grain, finished on one side to match cabinet box exterior
- Field trimmable, can be notched for toe kick

| WOOD | A | B |
|---------|---------|---------|
| WEP30 | 11 1/4" | 30 1/2" |
| WEP42 | 11 1/4" | 42 1/8" |
| WEP48 | 11 1/4" | 48" |
| WEP1542 | 14 1/4" | 42 1/8" |
| BEP34 | 23 1/4" | 34 1/2" |
| TEP84 | 23 1/4" | 84" |
| TEP96 | 23 1/4" | 96" |
| TEP120 | 23 1/4" | 120" |
| FP4834 | 48" | 34 1/2" |
| FP4896 | 48" | 96" |
| FP9634 | 96" | 34 1/2" |
| FP9648 | 96" | 48" |

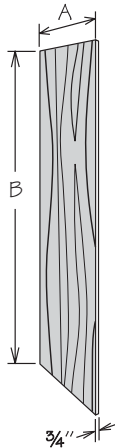
Grooved Paneling



- Grooved every 1 1/2" on one side
- All door styles feature 3/16" plywood finished on one side to match cabinet box exterior
- Field trimmable, can be notched for toe kick
- FP9634 Grooved Paneling is shipped as two 48" wide x 34 1/2" high panels

| | A | B |
|-----------------|---------|---------|
| WEP30 GROOVED | 11 1/4" | 30 1/2" |
| WEP42 GROOVED | 11 1/4" | 42 1/8" |
| WEP48 GROOVED | 11 1/4" | 48" |
| WEP1542 GROOVED | 14 1/4" | 42 1/8" |
| BEP34 GROOVED | 23 1/4" | 34 1/2" |
| TEP84 GROOVED | 23 1/4" | 84" |
| TEP96 GROOVED | 23 1/4" | 96" |
| FP4834 GROOVED | 48" | 34 1/2" |
| FP4896 GROOVED | 48" | 96" |
| FP9634 GROOVED | 96" | 34 1/2" |

Wood End Panel

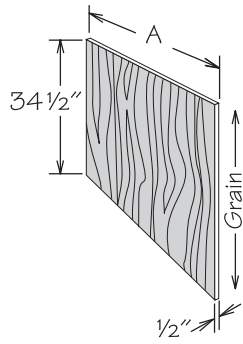


- Wood panels feature engineered wood finished on both sides to match cabinet box exterior for all door styles
- Edge banded on both long edges
- Field trimmable, can be notched for toe kick

| WOOD | A | B |
|---------|-----|---------|
| WBEP | 24" | 34 1/2" |
| WTEP84 | 24" | 84" |
| WTEP96 | 24" | 96" |
| WTEP120 | 24" | 120" |
| DWTEP84 | 32" | 84" |
| DWTEP96 | 32" | 96" |

1/2" Panel

NEW! PRODUCT



- Wood panels feature plywood finished on one side to match cabinet box exterior for all door styles
- Recommend Outside Corner Molding (OCM8) to cover raw edges
- WFP9634 is shipped as two 48" wide x 34 1/2" high panels
- Field trimmable, can be notched for toe kick

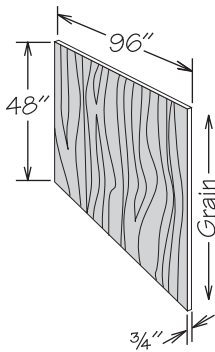
WOOD

WFP4834
WFP9634

A

48"
96"

3/4" Panel



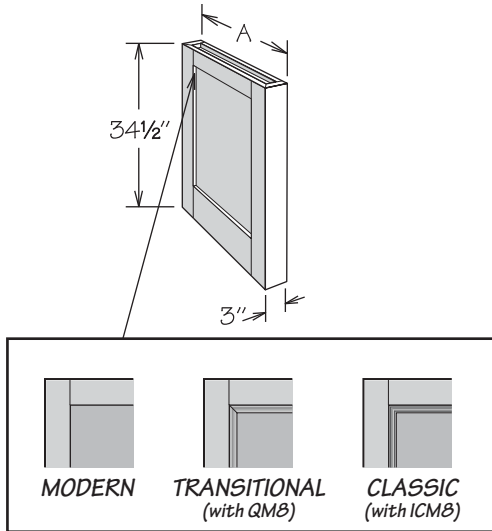
- Wood panels feature plywood finished on both sides to match cabinet box exterior for all door styles
- Edge banded on all edges
- Field trimmable, can be notched for toe kick

WOOD

WP9648

Decorative Island Side

NEW! PRODUCT

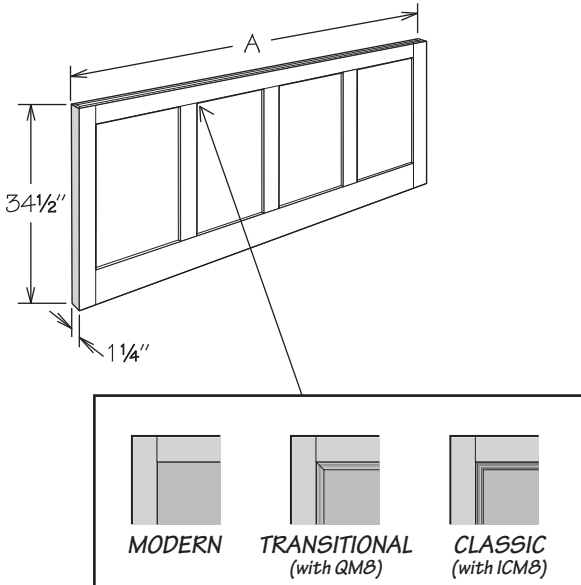


- All door styles features a combination of plywood and solid wood finished to match cabinet exterior
- Transitional Decorative Island Side (DIS_T) are shipped with QM8 molding - field trim and install around inside of panel sections
- Classic Decorative Island Side (DIS_C) are shipped with ICM8 molding - field trim and install around inside of panel sections

| | QTY. OF PANEL SECTIONS | A | B | INSIDE MOLDING QTY. |
|---------------------|------------------------|---------|---------|---------------------|
| Modern | | | | |
| DIS2534 M | 1 | 25 1/4" | 19 1/2" | - |
| DIS3734 M | 2 | 37 1/4" | 14 1/8" | - |
| DIS4934 M | 2 | 49 1/4" | 19 1/2" | - |
| Transitional | | | | |
| DIS2534 T | 1 | 25 1/4" | 19 1/2" | 1 |
| DIS3734 T | 2 | 37 1/4" | 14 1/8" | 2 |
| DIS4934 T | 2 | 49 1/4" | 19 1/2" | 3 |
| Classic | | | | |
| DIS2534 C | 1 | 25 1/4" | 19 1/2" | 1 |
| DIS3734 C | 2 | 37 1/4" | 14 1/8" | 2 |
| DIS4934 C | 2 | 49 1/4" | 19 1/2" | 3 |

Decorative Island Panel Kit

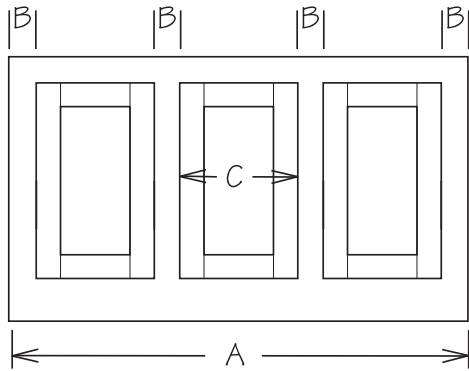
NEW! PRODUCT



- Kit must be trimmed and assembled in field - items shipped separately
- Plywood panel is finished on one side to match box exterior
 - » Recommended for use with Decorative Island Side Panel, or additional molding is recommended to cover raw edge of panel
- Modern Decorative Island Panel Kits include:
 - » 6" Solid Stock (S3S696)
 - » 3" Solid Stock (S3S369)
 - » 1/2" Panel (48" Kit: WFP4834, 96" Kit: WFP9634)
- Transitional Decorative Island Panel Kits Include:
 - » 6" Solid Stock (S3S696)
 - » 3" Solid Stock (S3S369)
 - » Inside Corner Molding (QM8)
 - » 1/2" Panel (48" Kit: WFP4834, 96" Kit: WFP9634)
- Classic Decorative Island Panel Kits Include:
 - » 6" Solid Stock (S3S696)
 - » 3" Solid Stock (S3S369)
 - » Decorative Inside Corner Molding (ICM8)
 - » 1/2" Panel (48" Kit: WFP4834, 96" Kit: WFP9634)

| | MAX. PANEL A | PANEL SECTIONS | S3S696 QTY. | S3S396 QTY. | WFP4834 QTY. | INSIDE MOLDING QTY. |
|---------------------|--------------|----------------|-------------|-------------|--------------|---------------------|
| Modern | | | | | | |
| DIPK4834 M | 48" | 2 | 1 | 2 | 1 | - |
| DIPK9634 M | 96" | 4 | 1 | 3 | 2 | - |
| Transitional | | | | | | |
| DIPK4834 T | 48" | 2 | 1 | 2 | 1 | 2 |
| DIPK9634 T | 96" | 4 | 1 | 3 | 2 | 4 |
| Classic | | | | | | |
| DIPK4834 C | 48" | 2 | 1 | 2 | 1 | 2 |
| DIPK9634 C | 96" | 4 | 1 | 3 | 2 | 4 |

Decorative Door Wainscoting Ordering Guide



NOTES:

- 1/2" Panels (WFP_) are finished on one side to match cabinet box exterior - molding recommended to cover raw edges
- Dimension "B" is calculated based on even spacing on both ends and between panels - adjust as needed for outside corner molding.

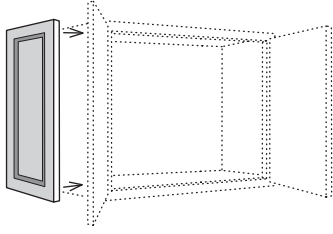
Full Overlay Door Styles

| A WIDTH | B SPACE BETWEEN DOORS | C DOOR WIDTH | PANEL | DOORS (NO DRILL) |
|---------|-----------------------|--------------|---------|------------------|
| 30" | 3/16" | 14 23/32" | WFP4834 | (2) DR15FH BUTT |
| 36" | 3/16" | 17 23/32" | WFP4834 | (2) DR18FH BUTT |
| 42" | 9/32" | 20 9/16" | WFP4834 | (2) DR21FH |
| 48" | 5/8" | 15 5/32" | WFP4834 | (3) DR16FH BUTT |
| 60" | 7/32" | 14 23/32" | WFP9634 | (4) DR15FH BUTT |
| 72" | 7/32" | 17 23/32" | WFP9634 | (4) DR18FH BUTT |
| 84" | 1 1/32" | 20 9/16" | WFP9634 | (4) DR21FH |
| 96" | 1 1/32" | 23 9/16" | WFP9634 | (4) DR24FH |

Partial Overlay Door Styles

| A WIDTH | B SPACE BETWEEN DOORS | C DOOR WIDTH | PANEL | DOORS (NO DRILL) |
|---------|-----------------------|--------------|---------|------------------|
| 30" | 1 1/16" | 13 15/16" | WFP4834 | (2) DR1530 BUTT |
| 36" | 1 1/16" | 16 15/16" | WFP4834 | (2) DR1830 BUTT |
| 42" | 1 13/32" | 18 7/8" | WFP4834 | (2) DR2130 |
| 48" | 1 3/32" | 15 7/16" | WFP4834 | (3) DR1630 BUTT |
| 60" | 2 7/32" | 13 15/16" | WFP9634 | (4) DR1530 BUTT |
| 72" | 2 7/32" | 16 15/16" | WFP9634 | (4) DR1830 BUTT |
| 84" | 1 1 1/16" | 18 7/8" | WFP9634 | (4) DR2130 |
| 96" | 1 1 1/16" | 21 7/8" | WFP9634 | (4) DR2430 |

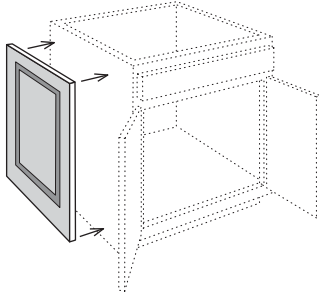
Decorator Matching Doors • Wall Cabinets



- WEP30/WEP42 panel is recommended for installation
- Attaches to side of wall cabinet
- Matches style and finish of cabinet doors
- Panel thickness is 3/4"
- Refer to Parts Directory for dimensions
- Not drilled for hinges

DMDW18
DMDW24
DMDW30
DMDW36
DMDW39
DMDW42

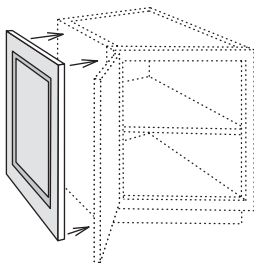
Decorator Matching Doors • Base Cabinets



- BEP34 panel is recommended for installation
- Attaches to side of 24" deep base cabinet
- Matches style and finish of cabinet doors
- Panel thickness is 3/4"
- Refer to Parts Directory for dimensions
- Not drilled for hinges

DMDB

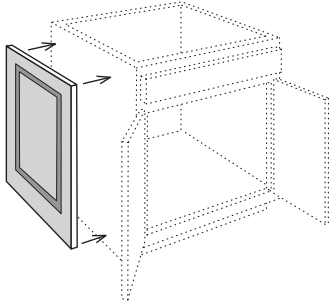
Decorator Matching Doors • Base End Angle Cabinets



- WEP42 panel is recommended for installation
- Attaches to side of BEA12 or BS2434
- Matches style and finish of cabinet doors
- Panel thickness is 3/4"
- Refer to Parts Directory for dimensions
- Not drilled for hinges

DMDBEA12

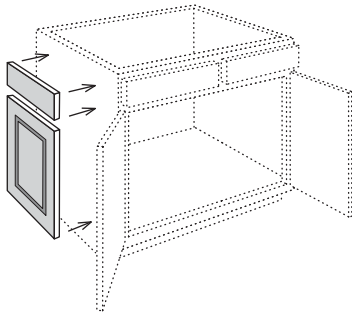
Decorator Matching Doors • Desk Cabinets



- BEP34 panel is recommended for installation
- Attaches to side of 21" or 24" deep desk cabinet
- Matches style and finish of cabinet doors
- Panel thickness is 3/4"
- Refer to Parts Directory for dimensions
- Not drilled for hinges

DMDD21
DMDD24

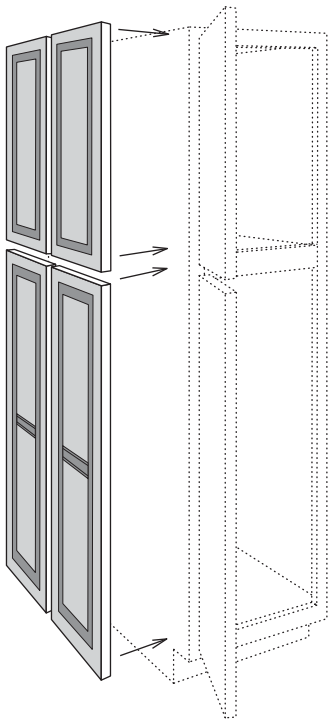
Decorator Matching Doors • Vanity Cabinet



- BEP34 panel is recommended for installation
- Attaches to side of 20 3/4" deep x 31 1/8" high vanity cabinet
 - » For 18" deep x 31 1/8" high vanity cabinets order DR1821 ND and DDF18
 - » For 20 3/4" deep x 34 1/2" high vanity cabinets order DR2130 (POL)
 - » For 18" deep x 34 1/2" high vanity cabinets order DR1830 (POL)
- Matches style and finish of cabinet doors
- Panel thickness is 3/4"
- Refer to Parts Directory for dimensions
- Not drilled for hinges

DMDV

Decorator Matching Doors • Tall Cabinets



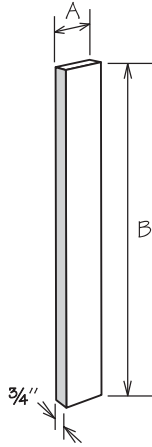
24" Deep Shown

- TEP84/TEP96 panel is recommended for installation
- Attaches to side of utility or oven cabinet
- Matches style and finish of cabinet doors
- Panel thickness is 3/4"
- 24" deep features four doors (as shown)
- 12" deep features two doors
- Bottom doors have a center rail for select door styles - refer to door style section
- Refer to Parts Directory for dimensions
- Not drilled for hinges

12" DEEP
DMDT8412
DMDT9012
DMDT9612

24" DEEP
DMDT8424
DMDT9024
DMDT9624

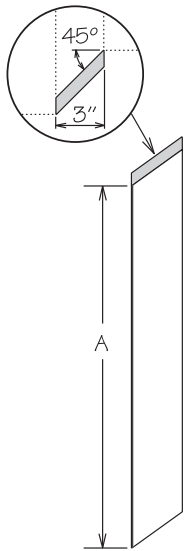
Universal Filler



- Wood fillers:
 - » 3/4" solid wood
 - » UF1__ and UF2__ are finished on front, one long, and both short edges to match cabinet box exterior
 - » UF3__ , UF6__ , and S3S__ are finished on front and all four edges to match cabinet box exterior
 - » S4S__ are finished on front, back, and all four edges to match cabinet box exterior
- Field trimmable

| WOOD | A | B |
|--------|----|---------|
| UF1 | 1" | 30 1/2" |
| UF2 | 2" | 30 1/2" |
| UF3 | 3" | 30 1/2" |
| UF6 | 6" | 30 1/2" |
| UF142 | 1" | 42 1/8" |
| UF242 | 2" | 42 1/8" |
| UF342 | 3" | 42 1/8" |
| UF642 | 6" | 42 1/8" |
| UF380 | 3" | 80" |
| UF680 | 6" | 80" |
| UF392 | 3" | 92" |
| UF692 | 6" | 92" |
| S3S396 | 3" | 96" |
| S3S696 | 6" | 96" |
| S4S396 | 3" | 96" |
| S4S696 | 6" | 96" |
| UF3120 | 3" | 120" |

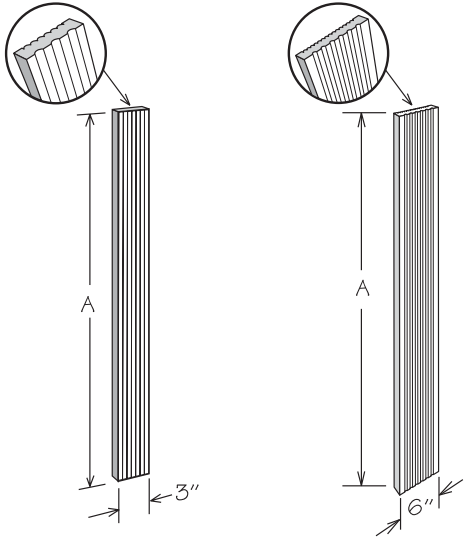
Universal Filler Extension



- 3/4" solid wood
- Finished on front and all four edges to match cabinet box exterior
- Field trimmable

| | A |
|---------|---------|
| UF E3 | 30 1/2" |
| UF E342 | 42 1/8" |

Fluted Beaded Filler • Reversible



- Filler is fluted on one side and beaded on reverse side
- Finished on all sides to match cabinet box exterior
- ¾" solid wood
- Apply decorative blocks for accent
- Field trimmable
- Ensure correct side is exposed when installed

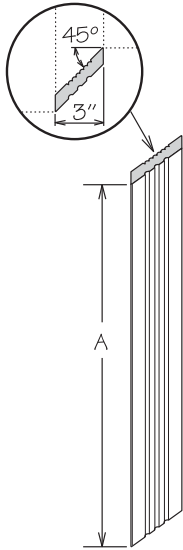
3" WIDE

| | A |
|--------|-------|
| FBF3 | 30 ½" |
| FBF342 | 42 ⅛" |
| FBF384 | 84" |
| FBF396 | 96" |

6" WIDE

| | A |
|--------|-------|
| FBF6 | 30 ½" |
| FBF642 | 42 ⅛" |
| FBF684 | 84" |
| FBF696 | 96" |

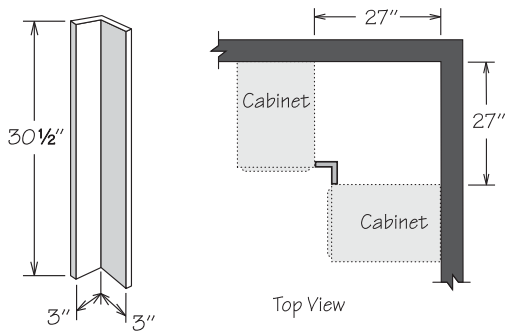
Fluted Beaded Filler Extension • Reversible



- For wall or base application
- Filler is fluted on one side and beaded on reverse side
- Finished all sides to match cabinet box exterior
- ¾" solid wood
- Apply 3" wide decorative blocks for accent
- Field trimmable
- Ensure correct side is exposed when installed

| | A |
|----------|-------|
| FBF E3 | 30 ½" |
| FBF E342 | 42 ⅛" |

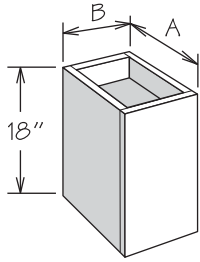
Base Corner Filler



- ¾" solid wood
- Finished on front and all four edges to match cabinet box exterior
- Field trimmable

BCF27

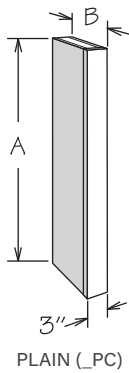
Plain Box Filler



- Veneered engineered wood finished to match cabinet box exterior
- Features 1/4" reveal
- Trimmable in height to 14 1/8" tall
- Reversible for left or right installation
- Finished to match cabinet box exterior

| | A | B |
|-----------|-----|-----|
| WPB91815 | 15" | 9" |
| WPB121815 | 15" | 12" |
| WPB91824 | 24" | 9" |
| WPB121824 | 24" | 12" |

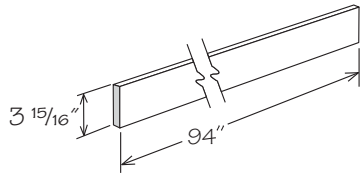
Column Filler



- Veneered engineered wood finished to match cabinet box exterior - glazed finishes will be glazed, excluding Plain Column Fillers
- 3" wide x 3/4" thick solid wood front
- Sides are flush with face
- Reversible for left or right installation
- Top and bottom edges of returns are edge banded
- Apply overlay filler or 3" wide decorative blocks for accent
- Field trimmable to any depth
- Field trimmable in height noted below:
 - » WPC31530 field trimmable to 27 1/8", 24 1/2", 20 5/8", 18 1/8", 15 1/8", or 12 1/8"
 - » WPC31542 field trimmable to 39 1/8" or 36 1/8"
 - » WPC31560 field trimmable to 54" or 48"
 - » BPC32734 field trimmable to 31 1/8" or 28 1/2"
 - » TPC32796 field trimmable to 93" or 90"
 - » TPC32784 not trimmable in height

| PLAIN | A | B |
|-------------|---------|-----|
| Wall | | |
| WPC31530 | 30 1/8" | 15" |
| WPC31542 | 42 1/8" | 15" |
| WPC31560 | 60" | 15" |
| Base | | |
| BPC32734 | 34 1/2" | 27" |
| Tall | | |
| TPC32784 | 84" | 27" |
| TPC32796 | 96" | 27" |

Base Toe Kick

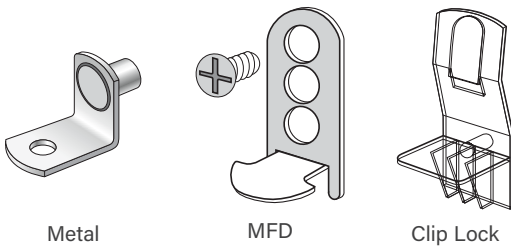


- Wood door styles feature 3/4" plywood, with vertical grain, finished on one side to match cabinet box exterior
- Putty Stick and Touch Up Marker are recommended for exposed ends
- Field trimmable

WOOD

BTK81

Shelf Rests

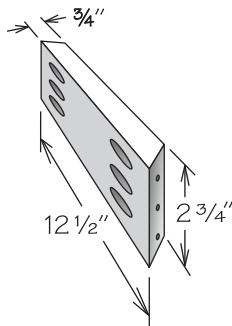


- Metal and MFD shelf rests are nickel plated steel
- MFD shelf rests are six position adjustable for alignment of shelf with mullion
- Clip Lock shelf rests are molded clear high-strength polycarbonate

| | QTY. |
|---------------------------------------|------|
| Bookshelves & Wall Shelves | |
| SHELF REST METAL 4PK | 4 |
| SHELF REST METAL 12 | 12 |
| Mullion Frame Cabinet Shelves | |
| SHELF REST MFD PK | 8 |
| 1/2" Base Shelves | |
| CLIP LOCK SHELF 4 PK | 4 |
| 3/4" Base & Tall Shelves | |
| CLIP LOCK SHELF 3/4 4 PK | 4 |

Table Skirting Furniture Bracket

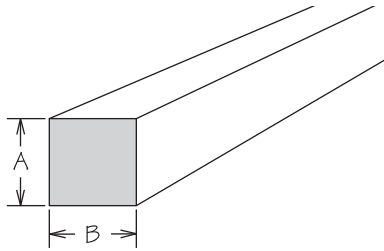
NEW! PRODUCT



- Bracket used to attach table apron at corners
- Made of solid wood
- Accommodates 3" and 4 1/2" decorative legs
- Ships with screws

TSFB

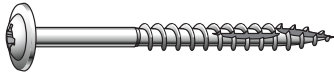
Cleat



- HWC 3/4X3/4X94 is shipped in two 47" long pieces
- HWC 1/2X1/2X94 is shipped in three 30½" long pieces
- Unfinished

| | A | B | LENGTH |
|----------------|-----|-----|--------|
| HWC 1/2X1/2X94 | ½" | ½" | 91½" |
| HWC 3/4X3/4X94 | ¾" | ¾" | 94" |
| HWC 1X2X94 | ¾" | 1½" | 94" |
| HWC 2X4X96 | 1½" | 3½" | 96" |

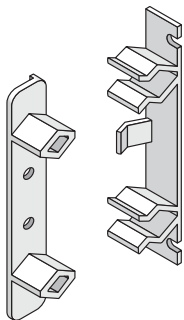
Screws & Cover Caps



- Installation screws are Phillips panhead 2½" long
- Cover caps are used to conceal predrilled holes in cabinet backs

| | QTY. |
|----------------------|------|
| SCREW INST 2.5 BX100 | 100 |
| COVER CAP 10MM TAN 4 | 4 |

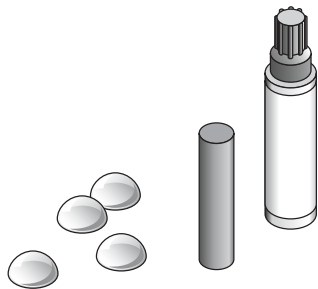
Dummy Drawer Front Fastener



- For installation of one dummy drawer front
- Kit contents:
 - » Two sets of DDF Fasteners
 - » Eight screws
 - » One instruction sheet
- Please refer to cabinet specifications as some cabinets will require more than one kit

DDF FASTENER

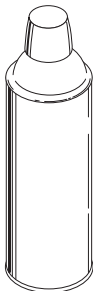
Touch Up Kit



- Kit for repairing minor dents, gouges, scratches, and surface imperfections includes:
 - » Putty Stick
 - » Touch Up Marker
 - » Door bumpers
- Instructions printed on bag

TOUCHUP KIT

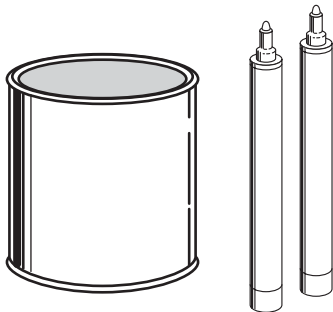
Spray Stain



- SPRAY STAIN TINTED available for all finishes
- SPRAY STAIN CLEAR strongly recommended for use as top coat for all finishes
- Indicate species and finish when ordering
- 11 ounce aerosol spray can

SPRAY STAIN CLEAR
SPRAY STAIN TINTED

Stain

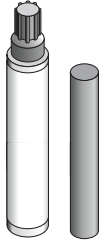


- Indicate species and finish when ordering
- STAIN TOP COAT strongly recommended for application over ALL finishes (order separately)
- PINT covers approximately 40 square feet
- QUART covers approximately 80 square feet
- Instructions included

STAIN PINT
STAIN QUART
STAIN TOP COAT PINT
STAIN TOP COAT QUART

Putty Stick & Marker

NEW! NOMENCLATURE



- Indicate finish when ordering
- TU MARKER EXTERIOR for use on all stains and Premium finishes
- Putty Sticks are recommended for filling minor dents, gouges and scratches made during or after installation
- Touch-Up Markers add color to minor surface scratches

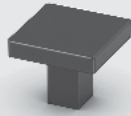
PUTTY STICK

PUTTY STICK EXTERIOR
PUTTY STICK INTERIOR

TOUCH-UP MARKER

TU MARKER EXTERIOR
TU MARKER EXT GLAZE
TU MARKER DURAFORM
TU MARKER INTERIOR

DECORATIVE HARDWARE



DRILLING RESTRICTIONS AND NOTES

- 1951 Cabinetry does not recommend drilling through any door/drawer joint for installation of decorative hardware.
- Door and drawer fronts must be adjusted before installing decorative hardware.

RESTRICTION KEY

NR12 Not recommended on regular 12" drawers

Some decorative hardware has restrictions for use on certain door styles which will be indicated with restriction-specific icons followed by the door style(s) that have the restriction. Restrictions may differ on regular and large drawer fronts based on center panel dimensions for each door style.

HARDWARE RESTRICTION EXAMPLE

NR12 Any Door Style

EXPLANATION: This specific hardware is not recommended on standard or large 12" drawers for any door style

Antic



**Antic Pull
Polished Chrome**
PULL 6797PC
128mm Center
Overall Length: 5 13/16"



**Antic Pull
Satin Nickel**
PULL 6797SN
128mm Center
Overall Length: 5 13/16"



**Antic Pull
Vintage Nickel**
PULL 6797VN
128mm Center
Overall Length: 5 13/16"



**Antic Pull
Modern Brushed Gold**
PULL 6797MG
128mm Center
Overall Length: 5 13/16"



**Antic Pull
Matte Black**
PULL 6797MB
128mm Center
Overall Length: 5 13/16"



**Antic Knob
Polished Chrome**
KNOB 6798PC



**Antic Knob
Satin Nickel**
KNOB 6798SN



**Antic Knob
Vintage Nickel**
KNOB 6798VN



**Antic Knob
Modern Brushed Gold**
KNOB 6798MG



**Antic Knob
Matte Black**
KNOB 6798MB

Briolette



**Briolette Pull
Polished Chrome**
PULL 2272PC
128mm Center
Overall Length: 5 3/4"



**Briolette Pull
Satin Nickel**
PULL 2272SN
128mm Center
Overall Length: 5 3/4"



**Briolette Pull
Modern Brushed Gold**
PULL 2272MG
128mm Center
Overall Length: 5 3/4"



**Briolette Pull
Brushed Copper**
PULL 2272CP
128mm Center
Overall Length: 5 3/4"



**Briolette Pull
Matte Black**
PULL 2272MB
128mm Center
Overall Length: 5 3/4"



**Briolette Knob
Polished Chrome**
KNOB 2271PC



**Briolette Knob
Satin Nickel**
KNOB 2271SN



**Briolette Knob
Modern Brushed Gold**
KNOB 2271MG



**Briolette Knob
Brushed Copper**
KNOB 2271CP



**Briolette Knob
Matte Black**
KNOB 2271MB

Radiant



**Radiant Pull
Satin Nickel**
PULL 0318SN
128mm Center
Overall Length: 5 3/4"



**Radiant Pull
Weathered Nickel**
PULL 0318WN
128mm Center
Overall Length: 5 3/4"



**Radiant Pull
Modern Brushed Gold**
PULL 0318MG
128mm Center
Overall Length: 5 3/4"



**Radiant Pull
Verona Bronze**
PULL 0318VB
128mm Center
Overall Length: 5 3/4"



**Radiant Pull
Matte Black**
PULL 0318MB
128mm Center
Overall Length: 5 3/4"



**Radiant Knob
Satin Nickel**
KNOB 0319SN



**Radiant Knob
Weathered Nickel**
KNOB 0319WN



**Radiant Knob
Modern Brushed Gold**
KNOB 0319MG



**Radiant Knob
Verona Bronze**
KNOB 0319VB



**Radiant Knob
Matte Black**
KNOB 0319MB

Trillion



**Trillion Pull
Polished Chrome**
PULL 0875PC
128mm Center
Overall Length: 5 1/2"



**Trillion Pull
Satin Nickel**
PULL 0875SN
128mm Center
Overall Length: 5 1/2"



**Trillion Pull
Vintage Nickel**
PULL 0875VN
128mm Center
Overall Length: 5 1/2"



**Trillion Pull
Modern Brushed Gold**
PULL 0875MG
128mm Center
Overall Length: 5 1/2"



**Trillion Pull
Matte Black**
PULL 0875MB
128mm Center
Overall Length: 5 1/2"

Canyon DFO

Bandera DFO, Canyon DFO, Carson DFO



**Trillion Knob
Polished Chrome**
KNOB 0876PC



**Trillion Knob
Satin Nickel**
KNOB 0876SN



**Trillion Knob
Vintage Nickel**
KNOB 0876VN



**Trillion Knob
Modern Brushed Gold**
KNOB 0876MG



**Trillion Knob
Matte Black**
KNOB 0876MB

Marquise



Marquise Pull - 6 ⁷/₈"
Polished Chrome
 PULL 4213PC
 160mm Center
 Overall Length: 6 ⁷/₈"



Marquise Pull - 6 ⁷/₈"
Satin Nickel
 PULL 4213SN
 160mm Center
 Overall Length: 6 ⁷/₈"



Marquise Pull - 6 ⁷/₈"
Modern Brushed Gold
 PULL 4213MG
 160mm Center
 Overall Length: 6 ⁷/₈"



Marquise Pull - 6 ⁷/₈"
Brushed Copper
 PULL 4213CP
 160mm Center
 Overall Length: 6 ⁷/₈"



Marquise Pull - 6 ⁷/₈"
Matte Black
 PULL 4213MB
 160mm Center
 Overall Length: 6 ⁷/₈"



Marquise Pull - 5 ⁹/₁₆"
Polished Chrome
 PULL 4212PC
 128mm Center
 Overall Length: 5 ⁹/₁₆"



Marquise Pull - 5 ⁹/₁₆"
Satin Nickel
 PULL 4212SN
 128mm Center
 Overall Length: 5 ⁹/₁₆"



Marquise Pull - 5 ⁹/₁₆"
Modern Brushed Gold
 PULL 4212MG
 128mm Center
 Overall Length: 5 ⁹/₁₆"



Marquise Pull - 5 ⁹/₁₆"
Brushed Copper
 PULL 4212CP
 128mm Center
 Overall Length: 5 ⁹/₁₆"



Marquise Pull - 5 ⁹/₁₆"
Matte Black
 PULL 4212MB
 128mm Center
 Overall Length: 5 ⁹/₁₆"

Halo



Halo Knob
Polished Chrome
 KNOB 3106PC



Halo Knob
Satin Nickel
 KNOB 3106SN



Halo Knob
Modern Brushed Gold
 KNOB 3106MG

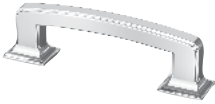


Halo Knob
Brushed Copper
 KNOB 3106CP



Halo Knob
Matte Black
 KNOB 3106MB

Rectangular



**Rectangular Pull
Polished Chrome**
PULL 3502PC
96mm Center
Overall Length: 4¹³/₁₆"



**Rectangular Pull
Satin Nickel**
PULL 3502SN
96mm Center
Overall Length: 4¹³/₁₆"



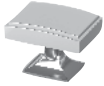
**Rectangular Pull
Vintage Nickel**
PULL 3502VN
96mm Center
Overall Length: 4¹³/₁₆"



**Rectangular Pull
Modern Brushed Gold**
PULL 3502MG
96mm Center
Overall Length: 4¹³/₁₆"



**Rectangular Pull
Matte Black**
PULL 3502MB
96mm Center
Overall Length: 4¹³/₁₆"



**Rectangular Knob
Polished Chrome**
KNOB 3503PC



**Rectangular Knob
Satin Nickel**
KNOB 3503SN



**Rectangular Knob
Vintage Nickel**
KNOB 3503VN



**Rectangular Knob
Modern Brushed Gold**
KNOB 3503MG



**Rectangular Knob
Matte Black**
KNOB 3503MB

Beaded



**Beaded Pull
Satin Nickel**
PULL 3562SN
96mm Center
Overall Length: 4¹/₂"



**Beaded Pull
Weathered Nickel**
PULL 3562WN
96mm Center
Overall Length: 4¹/₂"



**Beaded Pull
Modern Brushed Gold**
PULL 3562MG
96mm Center
Overall Length: 4¹/₂"



**Beaded Pull
Verona Bronze**
PULL 3562VB
96mm Center
Overall Length: 4¹/₂"



**Beaded Pull
Matte Black**
PULL 3562MB
96mm Center
Overall Length: 4¹/₂"

Stamped



**Stamped Knob
Satin Nickel**
KNOB 3563SN



**Stamped Knob
Weathered Nickel**
KNOB 3563WN



**Stamped Knob
Modern Brushed Gold**
KNOB 3563MG



**Stamped Knob
Verona Bronze**
KNOB 3563VB



**Stamped Knob
Matte Black**
KNOB 3563MB

Bow



Bow Pull - 7 13/16"
Polished Chrome
 PULL 3129PC
 5" Center
 Overall Length: 7 13/16"

Bow Pull - 7 13/16"
Satin Nickel
 PULL 3129SN
 5" Center
 Overall Length: 7 13/16"

Bow Pull - 7 13/16"
Modern Brushed Gold
 PULL 3129MG
 5" Center
 Overall Length: 7 13/16"

Bow Pull - 7 13/16"
Brushed Copper
 PULL 3129CP
 5" Center
 Overall Length: 7 13/16"

Bow Pull - 7 13/16"
Matte Black
 PULL 3129MB
 5" Center
 Overall Length: 7 13/16"



Bow Pull - 6 3/16"
Polished Chrome
 PULL 3128PC
 96mm Center
 Overall Length: 6 3/16"

Bow Pull - 6 3/16"
Satin Nickel
 PULL 3128SN
 96mm Center
 Overall Length: 6 3/16"

Bow Pull - 6 3/16"
Modern Brushed Gold
 PULL 3128MG
 96mm Center
 Overall Length: 6 3/16"

Bow Pull - 6 3/16"
Brushed Copper
 PULL 3128CP
 96mm Center
 Overall Length: 6 3/16"

Bow Pull - 6 3/16"
Matte Black
 PULL 3128MB
 96mm Center
 Overall Length: 6 3/16"

Tempo



Tempo Pull
Polished Chrome
 PULL 0323PC
 128mm Center
 Overall Length: 5 7/16"

Tempo Pull
Satin Nickel
 PULL 0323SN
 128mm Center
 Overall Length: 5 7/16"

Tempo Pull
Modern Brushed Gold
 PULL 0323MG
 128mm Center
 Overall Length: 5 7/16"

Tempo Pull
Brushed Copper
 PULL 0323CP
 128mm Center
 Overall Length: 5 7/16"

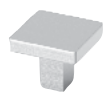
Tempo Pull
Matte Black
 PULL 0323MB
 128mm Center
 Overall Length: 5 7/16"



Tempo Knob
Polished Chrome
 KNOB 0322PC



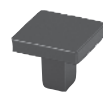
Tempo Knob
Satin Nickel
 KNOB 0322SN



Tempo Knob
Modern Brushed Gold
 KNOB 0322MG



Tempo Knob
Brushed Copper
 KNOB 0322CP



Tempo Knob
Matte Black
 KNOB 0322MB

Cup



**Cup Pull
Satin Nickel**
PULL 3105SN
3" Center
Overall Length: 4 5/8"



**Cup Pull
Weathered Nickel**
PULL 3105WN
3" Center
Overall Length: 4 5/8"



**Cup Pull
Modern Brushed Gold**
PULL 3105MG
3" Center
Overall Length: 4 5/8"



**Cup Pull
Verona Bronze**
PULL 3105VB
3" Center
Overall Length: 4 5/8"



**Cup Pull
Matte Black**
PULL 3105MB
3" Center
Overall Length: 4 5/8"

Classic



**Classic Pull
Satin Nickel**
PULL 3172SN
3" Center
Overall Length: 5 5/8"



**Classic Pull
Verona Bronze**
PULL 3172VB
3" Center
Overall Length: 5 5/8"



**Classic Pull
Matte Black**
PULL 3172MB
3" Center
Overall Length: 5 5/8"



**Classic Knob
Satin Nickel**
KNOB 3173SN



**Classic Knob
Weathered Nickel**
KNOB 3173WN



**Classic Knob
Modern Brushed Gold**
KNOB 3173MG



**Classic Knob
Verona Bronze**
KNOB 3173VB



**Classic Knob
Matte Black**
KNOB 3173MB

Toggle



**Toggle Knob
Satin Nickel**
KNOB 3239SN



**Toggle Knob
Verona Bronze**
KNOB 3239VB



**Toggle Knob
Matte Black**
KNOB 3239MB

Twisted Crescent



Twisted Crescent Pull
Satin Nickel
PULL 3122SN

96mm Center • Overall Length: 5 1/8"



Twisted Crescent Pull
Verona Bronze
PULL 3122VB

96mm Center • Overall Length: 5 1/8"



Twisted Crescent Pull
Matte Black
PULL 3122MB

96mm Center • Overall Length: 5 1/8"

Button



Button Knob
Satin Nickel
KNOB 3213SN



Button Knob
Verona Bronze
KNOB 3213VB



Button Knob
Matte Black
KNOB 3213MB

Ringed



Ringed Arch Pull
Satin Nickel
PULL 3672SN

3" Center • Overall Length: 5 1/2"



Ringed Arch Pull
Verona Bronze
PULL 3672VB

3" Center • Overall Length: 5 1/2"



Ringed Arch Pull
Matte Black
PULL 3672MB

3" Center • Overall Length: 5 1/2"



Ringed Knob
Satin Nickel
KNOB 3673SN

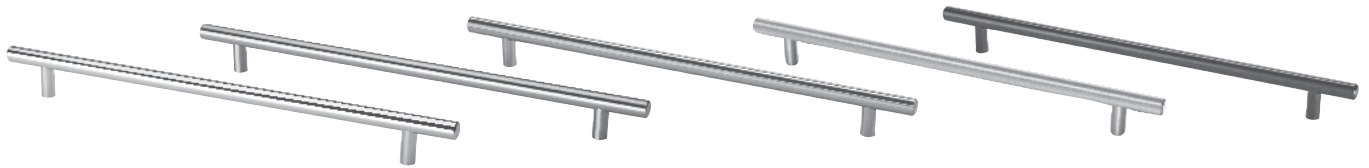


Ringed Knob
Verona Bronze
KNOB 3673VB



Ringed Knob
Matte Black
KNOB 3673MB

T-Bar



T-Bar Pull - 12⁷/₁₆"
Polished Chrome
 PULL 4730PC
 256mm Center
 Overall Length: 12⁷/₁₆"

T-Bar Pull - 12⁷/₁₆"
Satin Nickel
 PULL 4730SN
 256mm Center
 Overall Length: 12⁷/₁₆"

T-Bar Pull - 12⁷/₁₆"
Modern Brushed Gold
 PULL 4730MG
 256mm Center
 Overall Length: 12⁷/₁₆"

T-Bar Pull - 12⁷/₁₆"
Brushed Copper
 PULL 4730CP
 256mm Center
 Overall Length: 12⁷/₁₆"

T-Bar Pull - 12⁷/₁₆"
Matte Black
 PULL 4730MB
 256mm Center
 Overall Length: 12⁷/₁₆"

NR12 Any door style



T-Bar Pull - 8⁵/₈"
Polished Chrome
 PULL 4712PC
 160mm Center
 Overall Length: 8⁵/₈"

T-Bar Pull - 8⁵/₈"
Satin Nickel
 PULL 4712SN
 160mm Center
 Overall Length: 8⁵/₈"

T-Bar Pull - 8⁵/₈"
Modern Brushed Gold
 PULL 4712MG
 160mm Center
 Overall Length: 8⁵/₈"

T-Bar Pull - 8⁵/₈"
Brushed Copper
 PULL 4712CP
 160mm Center
 Overall Length: 8⁵/₈"

T-Bar Pull - 8⁵/₈"
Matte Black
 PULL 4712MB
 160mm Center
 Overall Length: 8⁵/₈"



T-Bar Pull - 5⁵/₁₆"
Polished Chrome
 PULL 4701PC
 3" Center
 Overall Length: 5⁵/₁₆"



T-Bar Pull - 5⁵/₁₆"
Satin Nickel
 PULL 4701SN
 3" Center
 Overall Length: 5⁵/₁₆"



T-Bar Pull - 5⁵/₁₆"
Modern Brushed Gold
 PULL 4701MG
 3" Center
 Overall Length: 5⁵/₁₆"



T-Bar Pull - 5⁵/₁₆"
Brushed Copper
 PULL 4701CP
 3" Center
 Overall Length: 5⁵/₁₆"



T-Bar Pull - 5⁵/₁₆"
Matte Black
 PULL 4701MB
 3" Center
 Overall Length: 5⁵/₁₆"



T-Bar Knob
Polished Chrome
 KNOB 4703PC



T-Bar Knob
Satin Nickel
 KNOB 4703SN



T-Bar Knob
Modern Brushed Gold
 KNOB 4703MG

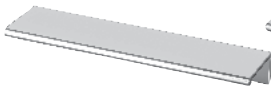


T-Bar Knob
Brushed Copper
 KNOB 4703CP



T-Bar Knob
Matte Black
 KNOB 4703MB

Tab



Tab Pull - 6"
Polished Chrome
 PULL 1060PC
 Overall Length: 6"



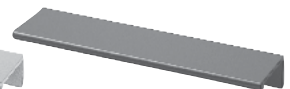
Tab Pull - 6"
Satin Nickel
 PULL 1060SN
 Overall Length: 6"



Tab Pull - 6"
Modern Brushed Gold
 PULL 1060MG
 Overall Length: 6"



Tab Pull - 6"
Brushed Copper
 PULL 1060CP
 Overall Length: 6"



Tab Pull - 6"
Matte Black
 PULL 1060MB
 Overall Length: 6"



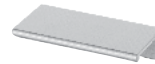
Tab Pull - 3"
Polished Chrome
 PULL 1055PC
 Overall Length: 3"



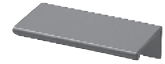
Tab Pull - 3"
Satin Nickel
 PULL 1055SN
 Overall Length: 3"



Tab Pull - 3"
Modern Brushed Gold
 PULL 1055MG
 Overall Length: 3"



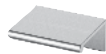
Tab Pull - 3"
Brushed Copper
 PULL 1055CP
 Overall Length: 3"



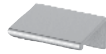
Tab Pull - 3"
Matte Black
 PULL 1055MB
 Overall Length: 3"



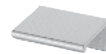
Tab Pull - 1 3/4"
Polished Chrome
 PULL 1050PC
 Overall Length: 1 3/4"



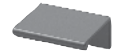
Tab Pull - 1 3/4"
Satin Nickel
 PULL 1050SN
 Overall Length: 1 3/4"



Tab Pull - 1 3/4"
Modern Brushed Gold
 PULL 1050MG
 Overall Length: 1 3/4"



Tab Pull - 1 3/4"
Brushed Copper
 PULL 1050CP
 Overall Length: 1 3/4"



Tab Pull - 1 3/4"
Matte Black
 PULL 1050MB
 Overall Length: 1 3/4"

Coat Hooks

NEW!

FINISHES



Brushed Gold
 HOOK BG
 3 1/8" Deep • 4" High



Satin Nickel
 HOOK SN
 3 1/8" Deep • 4" High

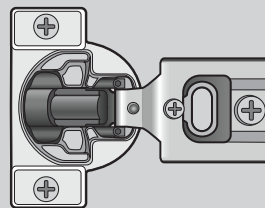
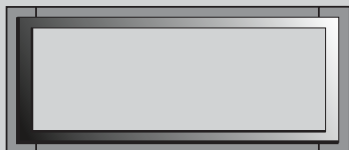
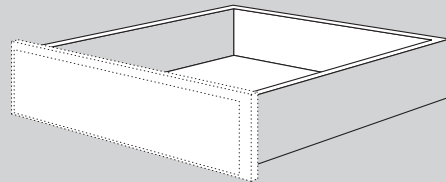
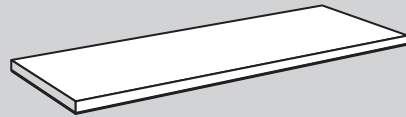
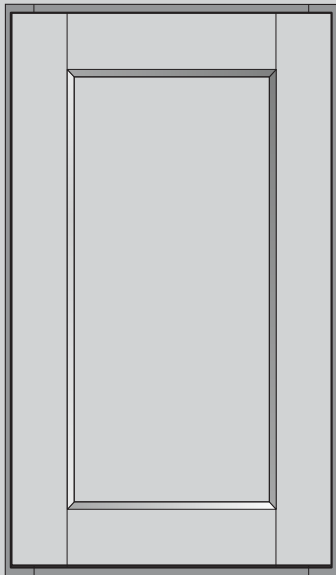


Verona Bronze
 HOOK VB
 3 1/8" Deep • 4" High



Matte Black
 HOOK MB
 3 1/8" Deep • 4" High

PARTS DIRECTORY



Legend

DOOR NOMENCLATURE LEGEND

| Description: | | Examples: |
|--------------|--|---|
| DR_ | Door - must be ordered as hinged left, right or no drill | SKU: DR1230 Option: Left Hinge |
| DR_SD | Specialty Door - must be ordered as Mullion Frame or Open Frame and as hinged left, right, or no drill | SKU: DR1230 SD Option: OFD - Open Frame Door Option: Left Hinge |
| DR_FH | Full-Height Door - used for Full-Height Base, Full-Height Peninsula Base and Full-Height Vanity Base cabinets and must be ordered as hinged left, right, or no drill | SKU: DR15 FH Option: Left Hinge |
| DR_V | Standard Height Vanity Door - must be ordered as hinged left, right, or no drill | SKU: DR1821V Option: Right Hinge |

DRAWER/PANEL FRONT NOMENCLATURE

| Description: | | Examples: |
|--------------|---|-------------|
| DDF_ | Drawer Front - used for Base, Desk, Oven or Vanity standard cabinet drawer | DDF12 |
| DDF_D | Large Drawer Front - used for Partial Overlay Base, Desk, Oven or Vanity large cabinet drawer | DDF12D |
| DDF_VD | Vanity Large Drawer Front - used for Full Overlay Vanity large cabinet drawer | DDF12VD |
| DDFKDC_ | Kneehole Drawer Front - used for Kneehole cabinet drawer | DDFKDC27/21 |

DRAWER BODY NOMENCLATURE

| Description: | | Examples: |
|--------------|--|--------------------|
| DRB_DT SG | Dovetail Drawer Box with side-mounted drawer glides | DRB12 X 18DP DT SG |
| DRB_SG | Engineered Wood Drawer Box with side-mounted drawer glides | DRB12 X 18DP SG |
| DRB_M SG | Large Engineered Wood Drawer Box with side-mounted drawer glides | DRB12M X 18DP SG |

ADJUSTABLE SHELVING NOMENCLATURE

| Description: | | Examples: |
|---------------|---|--|
| __" SHELF 3/4 | ¾" Adjustable Shelf - used for standard construction Wall, Desk or Base with standard interior | 12" SHELF 3/4 |
| __" SHELF MI | ¾" Matching Interior Adjustable Shelf - used for standard construction Matching Interior Wall cabinets including Specialty Door cabinets, replace 3/4 with MI | 12" SHELF MI |
| S __ | ¾" Adjustable Shelf - used for standard construction Utility, Oven or Vanity Linen cabinets with standard interior | S3024 |
| | ¾" Matching Interior - used for Matching Interior Utility, Oven or Vanity Linen cabinets | SKU: S3024 Option: MI - Matching Interior |

Adjustable Shelving Notes:

Microwave Wall Cabinet replacement shelves feature Matching Interior standard

Contents

WALL CABINETS

| | |
|---|-----|
| Standard Wall | 166 |
| Wall With Spice Rack | 167 |
| Blind Wall, Wall End Angle, Wall Top Hinge, Corner Wall | 168 |
| Refrigerator Wall | 169 |
| Wall Microwave, Wall Range Hood, Wall Easy Reach | 170 |

BASE CABINETS

| | |
|--|-----|
| Standard Base, Base With Sliding Shelves, Peninsula Base | 171 |
| Blind Corner, Blind Peninsula Corner, Base With Wastebasket(s) | 172 |
| Full-Height Base, Full-Height Base With Accessory, Full-Height Base With Sliding Shelves | 173 |
| Full-Height Base With Wastebasket(s), Base End Angle | 173 |
| Full-Height Peninsula Base | 173 |
| Furniture Drawers, Pedestal Drawers | 175 |
| Three Drawer Bases, Four Drawer Bases, Base Microwave Cabinet, Built-In Base Microwave | 175 |
| Base Spice Drawer Cabinet, Spice Drawer Cabinet | 175 |
| Corner Sink Base, Corner Sink Front, Deep Sink Base, Sink/Range Base and Front | 176 |
| Sink Base With Factory Installed Tilt-Out Tray(s) | 176 |
| Corner Bases | 177 |

TALL CABINETS

| | |
|---------------------------------------|-----|
| Utility With Adjustable Shelves | 178 |
| Utility With Sliding Shelves | 179 |
| Single Oven Cabinets | 181 |
| Double Oven Cabinets | 183 |

VANITY CABINETS

| | |
|---|-----|
| 31 1/8" Vanity Base, 31 1/8" Vanity Sink Base With Top Drawers, 18" Deep x 31 1/8" Vanity Combo Sink Base | 185 |
| 31 1/8" Vanity Combo Sink Base, 34 1/2" Vanity Base | 185 |
| 34 1/2" Vanity Sink Base With Top Drawers | 185 |
| 34 1/2" High Vanity Combo Sink Base | 186 |
| Vanity Linen, Medicine Cabinet, Tri-View Mirror, Valet Cabinet, Full-Height Vanity Base | 187 |
| 31 1/8" Vanity Sink Base, Vanity Sink Front | 188 |
| Vanity Drawer Base | 189 |

DESK CABINETS

| | |
|---|-----|
| Desk Door | 190 |
| Kneehole Drawer Cabinet, Desk With Wastebasket(s), Desk Drawer Base, File Drawer Base | 191 |

DIMENSIONS

| | |
|---|-----|
| Doors | 192 |
| Decorator Doors | 193 |
| Shelves, Sliding Shelves, Base Pot & Pan Organizer, Roll Out Tray Divider | 194 |
| Drawer Fronts | 194 |
| Drawer Boxes | 195 |
| Glass Inserts | 196 |

| | |
|--|-----|
| MISCELLANEOUS PARTS & ACCESSORIES | 197 |
|--|-----|

| | |
|---|-----|
| REPLACEMENT DRAWER REFERENCE SHEET | 199 |
|---|-----|

| SKU | Qty | DOOR | SPECIALTY DOOR | GLASS INSERT | Qty | ADJUSTABLE SHELF |
|---------------------------------|-----|-------------|----------------|---------------|-----|--|
| | | Part Name | Part Name | Part Name | | *For Matching Interior Adjustable Shelf, refer to Parts Directory legend |
| | | | | | | *Part Name |
| STANDARD WALL - 42" HIGH | | | | | | |
| W942 | 1 | DR942 | N/A | N/A | 3 | 9" SHELF 3/4 |
| W1242 | 1 | DR1242 | DR1242 SD | DGI-1242 | 3 | 12" SHELF 3/4 |
| W1542 | 1 | DR1542 | DR1542 SD | DGI-1542 | 3 | 15" SHELF 3/4 |
| W1842 | 1 | DR1842 | DR1842 SD | DGI-1842 | 3 | 18" SHELF 3/4 |
| W2142 | 1 | DR2142 | DR2142 SD | DGI-2142 | 3 | 21" SHELF 3/4 |
| W2442 BUTT | 2 | DR1242 BUTT | DR1242 BUTT SD | DGI-1242 BUTT | 3 | 24" SHELF 3/4 |
| W2742 BUTT | 2 | DR1342 BUTT | DR1342 BUTT SD | DGI-1342 BUTT | 3 | 27" SHELF 3/4 |
| W3042 BUTT | 2 | DR1542 BUTT | DR1542 BUTT SD | DGI-1542 BUTT | 3 | 30" SHELF 3/4 |
| W3342 BUTT | 2 | DR1642 BUTT | DR1642 BUTT SD | DGI-1642 BUTT | 3 | 33" SHELF 3/4 |
| W3642 BUTT | 2 | DR1842 BUTT | DR1842 BUTT SD | DGI-1842 BUTT | 3 | 36" SHELF 3/4 |
| W3942 | 2 | DR1942 | DR1942 SD | DGI-1942 | 3 | 39" SHELF 3/4 |
| W4242 | 2 | DR2142 | DR2142 SD | DGI-2142 | 3 | 42" SHELF 3/4 |
| STANDARD WALL - 36" HIGH | | | | | | |
| W936 | 1 | DR936 | N/A | N/A | 2 | 9" SHELF 3/4 |
| W1236 | 1 | DR1236 | DR1236 SD | DGI-1236 | 2 | 12" SHELF 3/4 |
| W1536 | 1 | DR1536 | DR1536 SD | DGI-1536 | 2 | 15" SHELF 3/4 |
| W1836 | 1 | DR1836 | DR1836 SD | DGI-1836 | 2 | 18" SHELF 3/4 |
| W2136 | 1 | DR2136 | DR2136 SD | DGI-2136 | 2 | 21" SHELF 3/4 |
| W2436 BUTT | 2 | DR1236 BUTT | DR1236 BUTT SD | DGI-1236 BUTT | 2 | 24" SHELF 3/4 |
| W2736 BUTT | 2 | DR1336 BUTT | DR1336 BUTT SD | DGI-1336 BUTT | 2 | 27" SHELF 3/4 |
| W3036 BUTT | 2 | DR1536 BUTT | DR1536 BUTT SD | DGI-1536 BUTT | 2 | 30" SHELF 3/4 |
| W3336 BUTT | 2 | DR1636 BUTT | DR1636 BUTT SD | DGI-1636 BUTT | 2 | 33" SHELF 3/4 |
| W3636 BUTT | 2 | DR1836 BUTT | DR1836 BUTT SD | DGI-1836 BUTT | 2 | 36" SHELF 3/4 |
| W3936 | 2 | DR1936 | DR1936 SD | DGI-1936 | 2 | 39" SHELF 3/4 |
| W4236 | 2 | DR2136 | DR2136 SD | DGI-2136 | 2 | 42" SHELF 3/4 |
| STANDARD WALL - 30" HIGH | | | | | | |
| W930 | 1 | DR930 | N/A | N/A | 2 | 9" SHELF 3/4 |
| W1230 | 1 | DR1230 | DR1230 SD | DGI-1230 | 2 | 12" SHELF 3/4 |
| W1530 | 1 | DR1530 | DR1530 SD | DGI-1530 | 2 | 15" SHELF 3/4 |
| W1830 | 1 | DR1830 | DR1830 SD | DGI-1830 | 2 | 18" SHELF 3/4 |
| W2130 | 1 | DR2130 | DR2130 SD | DGI-2130 | 2 | 21" SHELF 3/4 |
| W2430 | 1 | DR2430 | N/A | N/A | 2 | 24" SHELF 3/4 |
| W2430 BUTT | 2 | DR1230 BUTT | DR1230 BUTT SD | DGI-1230 BUTT | 2 | 24" SHELF 3/4 |
| W2730 BUTT | 2 | DR1330 BUTT | DR1330 BUTT SD | DGI-1330 BUTT | 2 | 27" SHELF 3/4 |
| W3030 BUTT | 2 | DR1530 BUTT | DR1530 BUTT SD | DGI-1530 BUTT | 2 | 30" SHELF 3/4 |
| W3330 BUTT | 2 | DR1630 BUTT | DR1630 BUTT SD | DGI-1630 BUTT | 2 | 33" SHELF 3/4 |
| W3630 BUTT | 2 | DR1830 BUTT | DR1830 BUTT SD | DGI-1830 BUTT | 2 | 36" SHELF 3/4 |
| W3930 | 2 | DR1930 | DR1930 SD | DGI-1930 | 2 | 39" SHELF 3/4 |
| W4230 | 2 | DR2130 | DR2130 SD | DGI-2130 | 2 | 42" SHELF 3/4 |
| W4530 | 3 | DR1530 | DR1530 SD | DGI-1530 | 2 | 45" SHELF 3/4 |
| W4830 | 2 | DR2430 | N/A | N/A | 2 | 48" SHELF 3/4 |
| STANDARD WALL - 27" HIGH | | | | | | |
| W3027 BUTT | 2 | DR1527 BUTT | N/A | N/A | 1 | 30" SHELF 3/4 |
| STANDARD WALL - 24" HIGH | | | | | | |
| W1224 | 1 | DR1224 | DR1224 SD | DGI-1224 | 1 | 12" SHELF 3/4 |
| W1524 | 1 | DR1524 | DR1524 SD | DGI-1524 | 1 | 15" SHELF 3/4 |
| W1824 | 1 | DR1824 | DR1824 SD | DGI-1824 | 1 | 18" SHELF 3/4 |
| W2124 | 1 | DR2124 | DR2124 SD | DGI-2124 | 1 | 21" SHELF 3/4 |
| W2424 BUTT | 2 | DR1224 BUTT | DR1224 BUTT SD | DGI-1224 BUTT | 1 | 24" SHELF 3/4 |
| W2724 BUTT | 2 | DR1324 BUTT | DR1324 BUTT SD | DGI-1324 BUTT | 1 | 27" SHELF 3/4 |
| W3024 BUTT | 2 | DR1524 BUTT | DR1524 BUTT SD | DGI-1524 BUTT | 1 | 30" SHELF 3/4 |
| W3324 BUTT | 2 | DR1624 BUTT | DR1624 BUTT SD | DGI-1624 BUTT | 1 | 33" SHELF 3/4 |
| W3624 BUTT | 2 | DR1824 BUTT | DR1824 BUTT SD | DGI-1824 BUTT | 1 | 36" SHELF 3/4 |
| W3924 | 2 | DR1924 | DR1924 SD | DGI-1924 | 1 | 39" SHELF 3/4 |
| W4224 | 2 | DR2124 | DR2124 SD | DGI-2124 | 1 | 42" SHELF 3/4 |
| W4524 | 3 | DR1524 | DR1524 SD | DGI-1524 | 1 | 45" SHELF 3/4 |

| SKU | Qty | DOOR | SPECIALTY DOOR | GLASS INSERT | Qty | ADJUSTABLE SHELF |
|-----------------------------------|-----|-------------|----------------|---------------|-----|--|
| | | | | | | *For Matching Interior Adjustable Shelf, refer to Parts Directory legend |
| | | Part Name | Part Name | Part Name | | *Part Name |
| STANDARD WALL - 21" HIGH | | | | | | |
| W3021 BUTT | 2 | DR1521 BUTT | N/A | N/A | - | N/A |
| W3321 BUTT | 2 | DR1621 BUTT | N/A | N/A | - | N/A |
| W3621 BUTT | 2 | DR1821 BUTT | N/A | N/A | - | N/A |
| W3921 | 2 | DR1921 | N/A | N/A | - | N/A |
| STANDARD WALL - 18" HIGH | | | | | | |
| W1218 | 1 | DR1218 | DR1218 SD | DGI-1218 | - | N/A |
| W1518 | 1 | DR1518 | DR1518 SD | DGI-1518 | - | N/A |
| W1818 | 1 | DR1818 | DR1818 SD | DGI-1818 | - | N/A |
| W2118 | 1 | DR2118 | DR2118 SD | DGI-2118 | - | N/A |
| W2418 BUTT | 2 | DR1218 BUTT | DR1218 BUTT SD | DGI-1218 BUTT | - | N/A |
| W2718 BUTT | 2 | DR1318 BUTT | DR1318 BUTT SD | DGI-1318 BUTT | - | N/A |
| W3018 BUTT | 2 | DR1518 BUTT | DR1518 BUTT SD | DGI-1518 BUTT | - | N/A |
| W3318 BUTT | 2 | DR1618 BUTT | DR1618 BUTT SD | DGI-1618 BUTT | - | N/A |
| W3618 BUTT | 2 | DR1818 BUTT | DR1818 BUTT SD | DGI-1818 BUTT | - | N/A |
| W3918 | 2 | DR1918 | DR1918 SD | DGI-1918 | - | N/A |
| W4218 | 2 | DR2118 | DR2118 SD | DGI-2118 | - | N/A |
| STANDARD WALL - 15" HIGH | | | | | | |
| W1215 | 1 | DR1215 | DR1215 SD | DGI-1215 | - | N/A |
| W1515 | 1 | DR1515 | DR1515 SD | DGI-1515 | - | N/A |
| W1815 | 1 | DR1815 | DR1815 SD | DGI-1815 | - | N/A |
| W2115 | 1 | DR2115 | DR2115 SD | DGI-2115 | - | N/A |
| W2415 BUTT | 2 | DR1215 BUTT | DR1215 BUTT SD | DGI-1215 BUTT | - | N/A |
| W2715 BUTT | 2 | DR1315 BUTT | DR1315 BUTT SD | DGI-1315 BUTT | - | N/A |
| W3015 BUTT | 2 | DR1515 BUTT | DR1515 BUTT SD | DGI-1515 BUTT | - | N/A |
| W3315 BUTT | 2 | DR1615 BUTT | DR1615 BUTT SD | DGI-1615 BUTT | - | N/A |
| W3615 BUTT | 2 | DR1815 BUTT | DR1815 BUTT SD | DGI-1815 BUTT | - | N/A |
| W3915 | 2 | DR1915 | DR1915 SD | DGI-1915 | - | N/A |
| STANDARD WALL - 12" HIGH | | | | | | |
| W1212 | 1 | DR1212 | DR1212 SD | DGI-1212 | - | N/A |
| W1512 | 1 | DR1512 | DR1512 SD | DGI-1512 | - | N/A |
| W1812 | 1 | DR1812 | DR1812 SD | DGI-1812 | - | N/A |
| W2112 | 1 | DR2112 | DR2112 SD | DGI-2112 | - | N/A |
| W2412 BUTT | 2 | DR1212 BUTT | DR1212 BUTT SD | DGI-1212 BUTT | - | N/A |
| W2712 BUTT | 2 | DR1312 BUTT | DR1312 BUTT SD | DGI-1312 BUTT | - | N/A |
| W3012 BUTT | 2 | DR1512 BUTT | DR1512 BUTT SD | DGI-1512 BUTT | - | N/A |
| W3312 BUTT | 2 | DR1612 BUTT | N/A | N/A | - | N/A |
| W3612 BUTT | 2 | DR1812 BUTT | DR1812 BUTT SD | DGI-1812 BUTT | - | N/A |
| W3912 | 2 | DR1912 | DR1912 SD | DGI-1912 | - | N/A |
| WITH SPICE RACK - 42" HIGH | | | | | | |
| W1542 SR | 1 | DR1542 | N/A | N/A | 3 | 15" SHELF 3/4 |
| W1842 SR | 1 | DR1842 | N/A | N/A | 3 | 18" SHELF 3/4 |
| W2142 SR | 1 | DR2142 | N/A | N/A | 3 | 21" SHELF 3/4 |
| WITH SPICE RACK - 36" HIGH | | | | | | |
| W1536 SR | 1 | DR1536 | N/A | N/A | 2 | 15" SHELF 3/4 |
| W1836 SR | 1 | DR1836 | N/A | N/A | 2 | 18" SHELF 3/4 |
| W2136 SR | 1 | DR2136 | N/A | N/A | 2 | 21" SHELF 3/4 |
| WITH SPICE RACK - 30" HIGH | | | | | | |
| W1530 SR | 1 | DR1530 | N/A | N/A | 2 | 15" SHELF 3/4 |
| W1830 SR | 1 | DR1830 | N/A | N/A | 2 | 18" SHELF 3/4 |
| W2130 SR | 1 | DR2130 | N/A | N/A | 2 | 21" SHELF 3/4 |

| SKU | Qty | DOOR | SPECIALTY DOOR | GLASS INSERT | Qty | ADJUSTABLE SHELF |
|---|-----|-------------|----------------|---------------|-----|--|
| | | | | | | *For Matching Interior Adjustable Shelf, refer to Parts Directory legend |
| | | Part Name | Part Name | Part Name | | *Part Name |
| BLIND WALL - 42" HIGH | | | | | | |
| BLW24/2742 | 1 | DR1242 | DR1242 SD | DGI-1242 | 3 | 24" SHELF 3/4 |
| BLW30/3342 | 1 | DR1842 | DR1842 SD | DGI-1842 | 3 | 30" SHELF 3/4 |
| BLW33/3642 | 1 | DR2142 | DR2142 SD | DGI-2142 | 3 | 33" SHELF 3/4 |
| BLW36/3942 BUTT | 2 | DR1242 BUTT | DR1242 BUTT SD | DGI-1242 BUTT | 3 | 36" SHELF 3/4 |
| BLW39/4242 BUTT | 2 | DR1342 BUTT | DR1342 BUTT SD | DGI-1342 BUTT | 3 | 39" SHELF 3/4 |
| BLW42/4542 BUTT | 2 | DR1542 BUTT | DR1542 BUTT SD | DGI-1542 BUTT | 3 | 42" SHELF 3/4 |
| BLIND WALL - 36" HIGH | | | | | | |
| BLW24/2736 | 1 | DR1236 | DR1236 SD | DGI-1236 | 2 | 24" SHELF 3/4 |
| BLW30/3336 | 1 | DR1836 | DR1836 SD | DGI-1836 | 2 | 30" SHELF 3/4 |
| BLW33/3636 | 1 | DR2136 | DR2136 SD | DGI-2136 | 2 | 33" SHELF 3/4 |
| BLW36/3936 BUTT | 2 | DR1236 BUTT | DR1236 BUTT SD | DGI-1236 BUTT | 2 | 36" SHELF 3/4 |
| BLW39/4236 BUTT | 2 | DR1336 BUTT | DR1336 BUTT SD | DGI-1336 BUTT | 2 | 39" SHELF 3/4 |
| BLW42/4536 BUTT | 2 | DR1536 BUTT | DR1536 BUTT SD | DGI-1536 BUTT | 2 | 42" SHELF 3/4 |
| BLIND WALL - 30" HIGH | | | | | | |
| BLW24/2730 | 1 | DR1230 | DR1230 SD | DGI-1230 | 2 | 24" SHELF 3/4 |
| BLW27/3030 | 1 | DR1530 | DR1530 SD | DGI-1530 | 2 | 27" SHELF 3/4 |
| BLW30/3330 | 1 | DR1830 | DR1830 SD | DGI-1830 | 2 | 30" SHELF 3/4 |
| BLW33/3630 | 1 | DR2130 | DR2130 SD | DGI-2130 | 2 | 33" SHELF 3/4 |
| BLW36/3930 | 1 | DR2430 | N/A | N/A | 2 | 36" SHELF 3/4 |
| BLW36/3930 BUTT | 2 | DR1230 BUTT | DR1230 BUTT SD | DGI-1230 BUTT | 2 | 36" SHELF 3/4 |
| BLW39/4230 BUTT | 2 | DR1330 BUTT | DR1330 BUTT SD | DGI-1330 BUTT | 2 | 39" SHELF 3/4 |
| BLW42/4530 BUTT | 2 | DR1530 BUTT | DR1530 BUTT SD | DGI-1530 BUTT | 2 | 42" SHELF 3/4 |
| BLW45/4830 BUTT | 2 | DR1630 BUTT | DR1630 BUTT SD | DGI-1630 BUTT | 2 | 45" SHELF 3/4 |
| BLW48/5130 BUTT | 2 | DR1830 BUTT | DR1830 BUTT SD | DGI-1830 BUTT | 2 | 48" SHELF 3/4 |
| BLIND WALL - 24" HIGH | | | | | | |
| BLW24/2724 | 1 | DR1224 | DR1224 SD | DGI-1224 | 1 | 24" SHELF 3/4 |
| BLW27/3024 | 1 | DR1524 | DR1524 SD | DGI-1524 | 1 | 27" SHELF 3/4 |
| BLW30/3324 | 1 | DR1824 | DR1824 SD | DGI-1824 | 1 | 30" SHELF 3/4 |
| BLW33/3624 | 1 | DR2124 | DR2124 SD | DGI-2124 | 1 | 33" SHELF 3/4 |
| BLW36/3924 BUTT | 2 | DR1224 BUTT | DR1224 BUTT SD | DGI-1224 BUTT | 1 | 36" SHELF 3/4 |
| WALL END ANGLE | | | | | | |
| WEA1242 | 1 | DR1542 | DR1542 SD | DGI-1542 | 3 | WEA SHELF 3/4 |
| WEA1236 | 1 | DR1536 | DR1536 SD | DGI-1536 | 2 | WEA SHELF 3/4 |
| WEA1230 | 1 | DR1530 | DR1530 SD | DGI-1530 | 2 | WEA SHELF 3/4 |
| WALL TOP HINGE - 12" HIGH | | | | | | |
| WTH4212 | 1 | DR4212 WTH | DR4212 WTH SD | DGI-1242 | - | N/A |
| WALL TOP HINGE - 15" HIGH | | | | | | |
| WTH3015 | 1 | DR3015 WTH | DR3015 WTH SD | DGI-1530 | - | N/A |
| WTH3615 | 1 | DR3615 WTH | DR3615 WTH SD | DGI-1536 | - | N/A |
| WALL TOP HINGE - 18" HIGH | | | | | | |
| WTH3018 | 1 | DR3018 WTH | DR3018 WTH SD | DGI-1830 | - | N/A |
| WTH3618 | 1 | DR3618 WTH | DR3618 WTH SD | DGI-1836 | - | N/A |
| WALL TOP HINGE - 15" HIGH X 24" DEEP | | | | | | |
| WTH3015 X 24DP | 1 | DR3015 WTH | DR3015 WTH SD | DGI-1530 | - | N/A |
| WTH3615 X 24DP | 1 | DR3615 WTH | DR3615 WTH SD | DGI-1536 | - | N/A |
| WALL TOP HINGE - 18" HIGH X 24" DEEP | | | | | | |
| WTH3018 X 24DP | 1 | DR3018 WTH | DR3018 WTH SD | DGI-1830 | - | N/A |
| WTH3618 X 24DP | 1 | DR3618 WTH | DR3618 WTH SD | DGI-1836 | - | N/A |
| CORNER WALL - 42" HIGH | | | | | | |
| CW2442 | 1 | DR1542 | DR1542 SD | DGI-1542 | 3 | CW SHELF ADJ 3/4 |
| CW2742 | 1 | DR1542 | DR1542 SD | DGI-1542 | 3 | CW27 SHELF ADJ 3/4 |
| CWS2442 WD | 1 | DR1542 | DR1542 SD | DGI-1542 | 3 | CWS24 SHELF WD NP |

| SKU | Qty | DOOR | SPECIALTY DOOR | GLASS INSERT | Qty | ADJUSTABLE SHELF |
|--|-----|---------------|------------------|-----------------|-----|--------------------|
| | | Part Name | Part Name | Part Name | | *Part Name |
| CORNER WALL - 36" HIGH | | | | | | |
| CW2436 | 1 | DR1536 | DR1536 SD | DGI-1536 | 2 | CW SHELF ADJ 3/4 |
| CW2736 | 1 | DR1536 | DR1536 SD | DGI-1536 | 2 | CW27 SHELF ADJ 3/4 |
| CWS2436 WD | 1 | DR1536 | DR1536 SD | DGI-1536 | 2 | CWS24 SHELF WD NP |
| CORNER WALL - 30" HIGH | | | | | | |
| CW2430 | 1 | DR1530 | DR1530 SD | DGI-1530 | 2 | CW SHELF ADJ 3/4 |
| CW2730 | 1 | DR1530 | DR1530 SD | DGI-1530 | 2 | CW27 SHELF ADJ 3/4 |
| CWS2430 | 1 | DR1530 | DR1530 SD | DGI-1530 | 1 | CWS UNIT RAS |
| CWS2430 WD | 1 | DR1530 | DR1530 SD | DGI-1530 | 2 | CWS24 SHELF WD NP |
| CORNER WALL - 24" HIGH | | | | | | |
| CW2424 | 1 | DR1524 | DR1524 SD | DGI-1524 | - | N/A |
| CW2724 | 1 | DR1524 | DR1524 SD | DGI-1524 | - | N/A |
| CORNER WALL - 18" HIGH | | | | | | |
| CW2418 | 1 | DR1518 | DR1518 SD | DGI-1518 | - | N/A |
| CW2718 | 1 | DR1518 | DR1518 SD | DGI-1518 | - | N/A |
| CORNER WALL - 15" HIGH | | | | | | |
| CW2415 | 1 | DR1515 | DR1515 SD | DGI-1515 | - | N/A |
| CW2715 | 1 | DR1515 | DR1515 SD | DGI-1515 | - | N/A |
| CORNER WALL - 12" HIGH | | | | | | |
| CW2412 | 1 | DR1512 | DR1512 SD | DGI-1512 | - | N/A |
| CW2712 | 1 | DR1512 | DR1512 SD | DGI-1512 | - | N/A |
| REFRIGERATOR WALL - 27" HIGH X 24" DEEP | | | | | | |
| W3027 X 24 DP BUTT | 2 | DR1527 BUTT | N/A | N/A | 1 | 30" SHELF 3/4 |
| REFRIGERATOR WALL - 24" HIGH X 24" DEEP | | | | | | |
| W3024 X 24 DP BUTT | 2 | DR1524 BUTT | DR1524 BUTT SD | DGI-1524 BUTT | 1 | 30" SHELF 3/4 |
| W3324 X 24 DP BUTT | 2 | DR1624 BUTT | DR1624 BUTT SD | DGI-1624 BUTT | 1 | 33" SHELF 3/4 |
| W3624 X 24 DP BUTT | 2 | DR1824 BUTT | DR1824 BUTT SD | DGI-1824 BUTT | 1 | 36" SHELF 3/4 |
| W3724 X 24 DP BUTT | 2 | DR18.524 BUTT | DR18.524 BUTT SD | DGI-18.524 BUTT | 1 | 37" SHELF 3/4 |
| W3924 X 24 DP | 2 | DR1924 | DR1924 SD | DGI-1924 | 1 | 39" SHELF 3/4 |
| REFRIGERATOR WALL - 21" HIGH X 24" DEEP | | | | | | |
| W3021 X 24 DP BUTT | 2 | DR1521 BUTT | N/A | N/A | - | N/A |
| W3321 X 24 DP BUTT | 2 | DR1621 BUTT | N/A | N/A | - | N/A |
| W3621 X 24 DP BUTT | 2 | DR1821 BUTT | N/A | N/A | - | N/A |
| W3721 X 24 DP BUTT | 2 | DR18.521 BUTT | N/A | N/A | - | N/A |
| W3921 X 24 DP BUTT | 2 | DR1921 | N/A | N/A | - | N/A |
| REFRIGERATOR WALL - 18" HIGH X 24" DEEP | | | | | | |
| W3018 X 24 DP BUTT | 2 | DR1518 BUTT | DR1518 BUTT SD | DGI-1518 BUTT | - | N/A |
| W3318 X 24 DP BUTT | 2 | DR1618 BUTT | DR1618 BUTT SD | DGI-1618 BUTT | - | N/A |
| W3618 X 24 DP BUTT | 2 | DR1818 BUTT | DR1818 BUTT SD | DGI-1818 BUTT | - | N/A |
| W3718 X 24 DP BUTT | 2 | DR18.518 BUTT | DR18.518 BUTT SD | DGI-18.518 BUTT | - | N/A |
| W3918 X 24 DP | 2 | DR1918 | DR1918 SD | DGI-1918 | - | N/A |
| REFRIGERATOR WALL - 15" HIGH X 24" DEEP | | | | | | |
| W3015 X 24 DP BUTT | 2 | DR1515 BUTT | DR1515 BUTT SD | DGI-1515 BUTT | - | N/A |
| W3315 X 24 DP BUTT | 2 | DR1615 BUTT | DR1615 BUTT SD | DGI-1615 BUTT | - | N/A |
| W3615 X 24 DP BUTT | 2 | DR1815 BUTT | DR1815 BUTT SD | DGI-1815 BUTT | - | N/A |
| W3715 X 24 DP BUTT | 2 | DR18.515 BUTT | DR18.515 BUTT SD | DGI-18.515 BUTT | - | N/A |
| W3915 X 24 DP | 2 | DR1915 | DR1915 SD | DGI-1915 | - | N/A |
| REFRIGERATOR WALL - 12" HIGH X 24" DEEP | | | | | | |
| W3012 X 24 DP BUTT | 2 | DR1512 BUTT | DR1512 BUTT SD | DGI-1512 BUTT | - | N/A |
| W3312 X 24 DP BUTT | 2 | DR1612 BUTT | N/A | N/A | - | N/A |
| W3612 X 24 DP BUTT | 2 | DR1812 BUTT | DR1812 BUTT SD | DGI-1812 BUTT | - | N/A |
| W3712 X 24 DP BUTT | 2 | DR18.512 BUTT | DR18.512 BUTT SD | DGI-18.512 BUTT | - | N/A |
| W3912 X 24 DP | 2 | DR1912 | DR1912 SD | DGI-1912 | - | N/A |
| W4212 X 24 DP | 2 | DR2112 | N/A | N/A | - | N/A |
| W4812 X 24 DP BUTT | 4 | DR1212 BUTT | N/A | N/A | - | N/A |

| SKU | Qty | DOOR | | ADJUSTABLE SHELF | |
|-----------------------------------|--------|-----------------------------------|-----|--|--|
| | | Part Name | Qty | *For All Plywood Construction and/or Matching Interior Adjustable Shelf, refer to Parts Directory legend | |
| | | | | *Part Name | |
| MICROWAVE WALL - 42" HIGH | | | | | |
| WMC301842 BUTT | 2 | DR1521 BUTT | - | N/A | |
| WMC302142 BUTT | 2 | DR1521 BUTT | - | N/A | |
| WALL MICROWAVE - 42" HIGH | | | | | |
| WMSC271842 BUTT | 2 | DR1324 BUTT | 1 | WMSC2718 TOP SHELF | |
| WALL MICROWAVE - 36" HIGH | | | | | |
| WMC301836 BUTT | 2 | DR1515 BUTT | - | N/A | |
| WMC302136 BUTT | 2 | DR1515 BUTT | - | N/A | |
| WALL MICROWAVE - 36" HIGH | | | | | |
| WMSC271236 BUTT | 2 | DR1315 BUTT | - | N/A | |
| WMSC271836 BUTT | 2 | DR1315 BUTT | - | N/A | |
| WMSC301236 BUTT | 2 | DR1515 BUTT | - | N/A | |
| COMPACT WALL MICROWAVE | | | | | |
| WCMSC241236 BUTT | 2 | DR1218 BUTT | - | N/A | |
| WCMSC271236 BUTT | 2 | DR1318 BUTT | - | N/A | |
| WALL RANGE HOOD - 30" HIGH | | | | | |
| WRH3030 SV | 2 | DR1521 BUTT | - | N/A | |
| WRH3630 SV | 2 | DR1821 BUTT | - | N/A | |
| WRH3030 RP | 2 | DR1521 BUTT | - | N/A | |
| WRH3630 RP | 2 | DR1821 BUTT | - | N/A | |
| WALL RANGE HOOD - 27" HIGH | | | | | |
| WRH3027 SV | 2 | DR1518 BUTT | - | N/A | |
| WRH3627 SV | 2 | DR1818 BUTT | - | N/A | |
| WRH3027 RP | 2 | DR1518 BUTT | - | N/A | |
| WRH3627 RP | 2 | DR1818 BUTT | - | N/A | |
| WALL RANGE HOOD - 24" HIGH | | | | | |
| WRH3024 SV | 2 | DR1515 BUTT | - | N/A | |
| WRH3624 SV | 2 | DR1815 BUTT | - | N/A | |
| WRH3024 RP | 2 | DR1515 BUTT | - | N/A | |
| WRH3624 RP | 2 | DR1815 BUTT | - | N/A | |
| WALL EASY REACH | | | | | |
| WER2442 | 1 1 | DR1242 WER DRILL DR1242 WER ND | 3 | WER SHELF 3/4 | |
| WER2436 | 1 1 | DR1236 WER DRILL DR1236 WER ND | 2 | WER SHELF 3/4 | |
| WER2430 | 1 1 | DR1230 WER DRILL DR1230 WER ND | 2 | WER SHELF 3/4 | |

| SKU | Qty | DOOR | Qty | DRAWER FRONT | Qty | DRAWER BODY | Qty | SHELF / ACCESSORY |
|---|-----|-------------|-----|--------------|-----|-----------------|-----|-------------------|
| | | | | | | Part Name | | Part Name |
| STANDARD BASE | | | | | | | | |
| B12 | 1 | DR1224 | 1 | DDF12 | 1 | DRB12 X 21DP SG | 1 | 12" SHELF 3/4 |
| B15 | 1 | DR1524 | 1 | DDF15 | 1 | DRB15 X 21DP SG | 1 | 15" SHELF 3/4 |
| B18 | 1 | DR1824 | 1 | DDF18 | 1 | DRB18 X 21DP SG | 1 | 18" SHELF 3/4 |
| B21 | 1 | DR2124 | 1 | DDF21 | 1 | DRB21 X 21DP SG | 1 | 21" SHELF 3/4 |
| B24 | 1 | DR2424 | 1 | DDF24 | 1 | DRB24 X 21DP SG | 1 | 24" SHELF 3/4 |
| B24 BUTT | 2 | DR1224 BUTT | 1 | DDF24 | 1 | DRB24 X 21DP SG | 1 | 24" SHELF 3/4 |
| B27 BUTT | 2 | DR1324 BUTT | 1 | DDF27 | 1 | DRB27 X 21DP SG | 1 | 27" SHELF 3/4 |
| B30 BUTT | 2 | DR1524 BUTT | 1 | DDF30 | 1 | DRB30 X 21DP SG | 1 | 30" SHELF 3/4 |
| B33 BUTT | 2 | DR1624 BUTT | 1 | DDF33 | 1 | DRB33 X 21DP SG | 1 | 33" SHELF 3/4 |
| B36 1TD BUTT | 2 | DR1824 BUTT | 1 | DDF36 | 1 | DRB36 X 21DP SG | 1 | 36" SHELF 3/4 |
| B39 | 2 | DR1924 | 2 | DDF19 | 2 | DRB19 X 21DP SG | 1 | 39" SHELF 3/4 |
| B42 | 2 | DR2124 | 2 | DDF21 | 2 | DRB21 X 21DP SG | 1 | 42" SHELF 3/4 |
| B45 | 3 | DR1524 | 3 | DDF15 | 3 | DRB15 X 21DP SG | 1 | 45" SHELF 3/4 |
| B48 | 2 | DR2424 | 2 | DDF24 | 2 | DRB24 X 21DP SG | 1 | 48" SHELF 3/4 |
| BASE WITH ONE SLIDING SHELF | | | | | | | | |
| B12 SS1 | 1 | DR1224 | 1 | DDF12 | 1 | DRB12 X 21DP SG | 1 | SSK12 |
| B15 SS1 | 1 | DR1524 | 1 | DDF15 | 1 | DRB15 X 21DP SG | 1 | SSK15 |
| B18 SS1 | 1 | DR1824 | 1 | DDF18 | 1 | DRB18 X 21DP SG | 1 | SSK18 |
| B21 SS1 | 1 | DR2124 | 1 | DDF21 | 1 | DRB21 X 21DP SG | 1 | SSK21 |
| B24 SS1 | 1 | DR2424 | 1 | DDF24 | 1 | DRB24 X 21DP SG | 1 | SSK24 |
| B24 SS1 BUTT | 2 | DR1224 BUTT | 1 | DDF24 | 1 | DRB24 X 21DP SG | 1 | SSK24 |
| B27 SS1 BUTT | 2 | DR1324 BUTT | 1 | DDF27 | 1 | DRB27 X 21DP SG | 1 | SSK27 |
| B30 SS1 BUTT | 2 | DR1524 BUTT | 1 | DDF30 | 1 | DRB30 X 21DP SG | 1 | SSK30 |
| B33 SS1 BUTT | 2 | DR1624 BUTT | 1 | DDF33 | 1 | DRB33 X 21DP SG | 1 | SSK33 |
| B36 SS1 1TD BUTT | 2 | DR1824 BUTT | 1 | DDF36 | 1 | DRB36 X 21DP SG | 1 | SSK36 |
| BASE WITH TWO HORIZONTAL SLIDING SHELVES | | | | | | | | |
| B39 SS1 | 2 | DR1924 | 2 | DDF19 | 2 | DRB19 X 21DP SG | 2 | SSK19 |
| B42 SS1 | 2 | DR2124 | 2 | DDF21 | 2 | DRB21 X 21DP SG | 2 | SSK21 |
| B48 SS1 | 2 | DR2424 | 2 | DDF24 | 2 | DRB24 X 21DP SG | 2 | SSK24 |
| BASE WITH TWO VERTICAL SLIDING SHELVES | | | | | | | | |
| B12 SS2 | 1 | DR1224 | 1 | DDF12 | 1 | DRB12 X 21DP SG | 2 | SSK12 |
| B15 SS2 | 1 | DR1524 | 1 | DDF15 | 1 | DRB15 X 21DP SG | 2 | SSK15 |
| B18 SS2 | 1 | DR1824 | 1 | DDF18 | 1 | DRB18 X 21DP SG | 2 | SSK18 |
| B21 SS2 | 1 | DR2124 | 1 | DDF21 | 1 | DRB21 X 21DP SG | 2 | SSK21 |
| B24 SS2 | 1 | DR2424 | 1 | DDF24 | 1 | DRB24 X 21DP SG | 2 | SSK24 |
| B24 SS2 BUTT | 2 | DR1224 BUTT | 1 | DDF24 | 1 | DRB24 X 21DP SG | 2 | SSK24 |
| B27 SS2 BUTT | 2 | DR1324 BUTT | 1 | DDF27 | 1 | DRB27 X 21DP SG | 2 | SSK27 |
| B30 SS2 BUTT | 2 | DR1524 BUTT | 1 | DDF30 | 1 | DRB30 X 21DP SG | 2 | SSK30 |
| B33 SS2 BUTT | 2 | DR1624 BUTT | 1 | DDF33 | 1 | DRB33 X 21DP SG | 2 | SSK33 |
| B36 SS2 1TD BUTT | 2 | DR1824 BUTT | 1 | DDF36 | 1 | DRB36 X 21DP SG | 2 | SSK36 |
| BASE WITH THREE HORIZONTAL SLIDING SHELVES | | | | | | | | |
| B45 SS1 | 3 | DR1524 | 3 | DDF15 | 3 | DRB15 X 21DP SG | 3 | SSK15 |
| BASE WITH FOUR SLIDING SHELVES | | | | | | | | |
| B39 SS2 | 2 | DR1924 | 2 | DDF19 | 2 | DRB19 X 21DP SG | 4 | SSK19 |
| B42 SS2 | 2 | DR2124 | 2 | DDF21 | 2 | DRB21 X 21DP SG | 4 | SSK21 |
| B48 SS2 | 2 | DR2424 | 2 | DDF24 | 2 | DRB24 X 21DP SG | 4 | SSK24 |
| BASE WITH SIX SLIDING SHELVES | | | | | | | | |
| B45 SS2 | 3 | DR1524 | 3 | DDF15 | 3 | DRB15 X 21DP SG | 6 | SSK15 |
| PENINSULA BASE | | | | | | | | |
| PB12 | 2 | DR1224 | 2 | DDF12 | 2 | DRB12 X 21DP SG | 1 | 12" SHELF PB 3/4 |
| PB18 | 2 | DR1824 | 2 | DDF18 | 2 | DRB18 X 21DP SG | 1 | 18" SHELF PB 3/4 |
| PB24 | 2 | DR2424 | 2 | DDF24 | 2 | DRB24 X 21DP SG | 1 | 24" SHELF PB 3/4 |
| PB24 BUTT | 4 | DR1224 BUTT | 2 | DDF24 | 2 | DRB24 X 21DP SG | 1 | 24" SHELF PB 3/4 |
| PB30 BUTT | 4 | DR1524 BUTT | 2 | DDF30 | 2 | DRB30 X 21DP SG | 1 | 30" SHELF PB 3/4 |
| PB36 1TD BUTT | 4 | DR1824 BUTT | 2 | DDF36 | 2 | DRB36 X 21DP SG | 1 | 36" SHELF PB 3/4 |
| PB42 | 4 | DR2124 | 4 | DDF21 | 4 | DRB21 X 21DP SG | 1 | 42" SHELF PB 3/4 |

| SKU | Qty | DOOR | Qty | DRAWER FRONT | Qty | DRAWER BODY | Qty | SHELF / ACCESSORY |
|--|-----|-------------|-----|--------------|-----|-----------------|-----|-------------------|
| | | | | | | Part Name | | Part Name |
| BLIND CORNER | | | | | | | | |
| BLB36/39 | 1 | DR1224 | 1 | DDF12 | 1 | DRB12 X 21DP SG | 1 | 27" SHELF 3/4 |
| BLB39/42 | 1 | DR1524 | 1 | DDF15 | 1 | DRB15 X 21DP SG | 1 | 33" SHELF 3/4 |
| BLB42/45 | 1 | DR1824 | 1 | DDF18 | 1 | DRB18 X 21DP SG | 1 | 39" SHELF 3/4 |
| BLB45/48 | 1 | DR2124 | 1 | DDF21 | 1 | DRB21 X 21DP SG | 1 | 45" SHELF 3/4 |
| BLB48/51 | 1 | DR2124 | 1 | DDF21 | 1 | DRB21 X 21DP SG | 1 | 48" SHELF 3/4 |
| BASE WITH BOTTOM MOUNT WASTEBASKET(S) | | | | | | | | |
| BWBB15 | 1 | DR1524 ND | 1 | DDF15 | 1 | DRB15 X 21DP SG | 1 | BWBB15_OL KIT |
| BWBB15-2 | 1 | DR1524 ND | 1 | DDF15 | 1 | DRB15 X 21DP SG | 1 | BWBB15-2_OL KIT |
| BWBB18-2 | 1 | DR1824 ND | 1 | DDF18 | 1 | DRB18 X 21DP SG | 1 | BWBB18-2_OL KIT |
| BWBB21-2 | 1 | DR2124 ND | 1 | DDF21 | 1 | DRB21 X 21DP SG | 1 | BWBB21-2_OL KIT |
| BLIND PENINSULA CORNER | | | | | | | | |
| PBC24 | 1 | DR2424 | 1 | DDF24 | 1 | DRB24 X 21DP SG | 1 | 24" SHELF PB 3/4 |
| PBC24 BUTT | 2 | DR1224 BUTT | 1 | DDF24 | 1 | DRB24 X 21DP SG | 1 | 24" SHELF PB 3/4 |

| SKU | Qty | DOOR | | Qty | ADJUSTABLE SHELF/ACCESSORY |
|--|-----|-----------------|-------------|-----|----------------------------|
| | | Partial Overlay | | | Part Name |
| | | Part Name | | | |
| FULL HEIGHT BASE | | | | | |
| TB9 | 1 | | DR930 | - | N/A |
| B12 FH | 1 | | DR1230 | 1 | 12" SHELF 3/4 |
| B15 FH | 1 | | DR1530 | 1 | 15" SHELF 3/4 |
| B18 FH | 1 | | DR1830 | 1 | 18" SHELF 3/4 |
| B21 FH | 1 | | DR2130 | 1 | 21" SHELF 3/4 |
| B24 FH | 1 | | DR2430 | 1 | 24" SHELF 3/4 |
| B24 BUTT FH | 2 | | DR1230 BUTT | 1 | 24" SHELF 3/4 |
| B27 BUTT FH | 2 | | DR1330 BUTT | 1 | 27" SHELF 3/4 |
| B30 BUTT FH | 2 | | DR1530 BUTT | 1 | 30" SHELF 3/4 |
| B33 BUTT FH | 2 | | DR1630 BUTT | 1 | 33" SHELF 3/4 |
| B36 BUTT FH | 2 | | DR1830 BUTT | 1 | 36" SHELF 3/4 |
| FULL HEIGHT BASE WITH ACCESSORY | | | | | |
| TB9 TDS | 1 | | DR930 | 1 | 9" SHELF 24 DP 3/4 |
| FULL HEIGHT BASE WITH TWO SLIDING SHELVES | | | | | |
| B12 FH SS2 | 1 | | DR1230 | 2 | SSK12 |
| B15 FH SS2 | 1 | | DR1530 | 2 | SSK15 |
| B18 FH SS2 | 1 | | DR1830 | 2 | SSK18 |
| B21 FH SS2 | 1 | | DR2130 | 2 | SSK21 |
| B24 FH SS2 | 1 | | DR2430 | 2 | SSK24 |
| B24 BUTT FH SS2 | 2 | | DR1230 BUTT | 2 | SSK24 |
| B27 BUTT FH SS2 | 2 | | DR1330 BUTT | 2 | SSK27 |
| B30 BUTT FH SS2 | 2 | | DR1530 BUTT | 2 | SSK30 |
| B33 BUTT FH SS2 | 2 | | DR1630 BUTT | 2 | SSK33 |
| B36 BUTT FH SS2 | 2 | | DR1830 BUTT | 2 | SSK36 |
| FULL HEIGHT BASE WITH FOUR SLIDING SHELVES | | | | | |
| B12 FH SS4 | 1 | | DR1230 | 4 | SSK12 |
| B15 FH SS4 | 1 | | DR1530 | 4 | SSK15 |
| B18 FH SS4 | 1 | | DR1830 | 4 | SSK18 |
| B21 FH SS4 | 1 | | DR2130 | 4 | SSK21 |
| B24 FH SS4 | 1 | | DR2430 | 4 | SSK24 |
| B24 BUTT FH SS4 | 2 | | DR1230 BUTT | 4 | SSK24 |
| B27 BUTT FH SS4 | 2 | | DR1330 BUTT | 4 | SSK27 |
| B30 BUTT FH SS4 | 2 | | DR1530 BUTT | 4 | SSK30 |
| B33 BUTT FH SS4 | 2 | | DR1630 BUTT | 4 | SSK33 |
| B36 BUTT FH SS4 | 2 | | DR1830 BUTT | 4 | SSK36 |
| FULL-HEIGHT BASE WITH BOTTOM MOUNT WASTEBASKET(S) | | | | | |
| BWBB15 FH | 1 | | DR1530 ND | 1 | BWBB15 FH_OL KIT |
| BWBB18 FH | 1 | | DR1830 ND | 1 | BWBB18 FH_OL KIT |
| BWBB21-2 FH | 1 | | DR2130 ND | 1 | BWBB21-2 FH_OL KIT |
| BASE END ANGLE | | | | | |
| BEA12 FH | 1 | | DR1530 | 1 | BEA12 SHELF 3/4 |
| BEA24 FH | 2 | | DR1830 | 1 | BEA SHELF 3/4 |
| FULL HEIGHT PENINSULA BASE | | | | | |
| PB12 FH | 2 | | DR1230 | 1 | 12" SHELF PB 3/4 |
| PB18 FH | 2 | | DR1830 | 1 | 18" SHELF PB 3/4 |
| PB24 BUTT FH | 4 | | DR1230 BUTT | 1 | 24" SHELF PB 3/4 |
| PB30 BUTT FH | 4 | | DR1530 BUTT | 1 | 30" SHELF PB 3/4 |
| PB36 BUTT FH | 4 | | DR1830 BUTT | 1 | 36" SHELF PB 3/4 |

| SKU | Qty | DRAWER FRONT | | DRAWER BODY |
|--|-----|-----------------|--|------------------|
| | | Partial Overlay | | Part Name |
| | | Part Name | | |
| FURNITURE DRAWERS - 12" DEEP - 6" HIGH | | | | |
| FD121206 | 1 | DDF12 | | DRB12 X 9DP SG |
| FD151206 | 1 | DDF15 | | DRB15 X 9DP SG |
| FD181206 | 1 | DDF18 | | DRB18 X 9DP SG |
| FD211206 | 1 | DDF21 | | DRB21 X 9DP SG |
| FD241206 | 1 | DDF24 | | DRB24 X 9DP SG |
| FD271206 | 1 | DDF27 | | DRB27 X 9DP SG |
| FD301206 | 1 | DDF30 | | DRB30 X 9DP SG |
| FD331206 | 1 | DDF33 | | DRB33 X 9DP SG |
| FD361206 | 1 | DDF36 | | DRB36 X 9DP SG |
| FURNITURE DRAWERS - 24" DEEP - 6" HIGH | | | | |
| FD122406 | 1 | DDF12 | | DRB12 X 21DP SG |
| FD152406 | 1 | DDF15 | | DRB15 X 21DP SG |
| FD182406 | 1 | DDF18 | | DRB18 X 21DP SG |
| FD212406 | 1 | DDF21 | | DRB21 X 21DP SG |
| FD242406 | 1 | DDF24 | | DRB24 X 21DP SG |
| FD272406 | 1 | DDF27 | | DRB27 X 21DP SG |
| FD302406 | 1 | DDF30 | | DRB30 X 21DP SG |
| FD332406 | 1 | DDF33 | | DRB33 X 21DP SG |
| FD362406 | 1 | DDF36 | | DRB36 X 21DP SG |
| FURNITURE DRAWERS - 12" DEEP - 12" HIGH | | | | |
| FD121212 | 1 | DDF12D | | DRB12M X 9DP SG |
| FD151212 | 1 | DDF15D | | DRB15M X 9DP SG |
| FD181212 | 1 | DDF18D | | DRB18M X 9DP SG |
| FD211212 | 1 | DDF21D | | DRB21M X 9DP SG |
| FD241212 | 1 | DDF24D | | DRB24M X 9DP SG |
| FD271212 | 1 | DDF27D | | DRB27M X 9DP SG |
| FD301212 | 1 | DDF30D | | DRB30M X 9DP SG |
| FD331212 | 1 | DDF33D | | DRB33M X 9DP SG |
| FD361212 | 1 | DDF36D | | DRB36M X 9DP SG |
| FURNITURE DRAWERS - 24" DEEP - 12" HIGH | | | | |
| FD122412 | 1 | DDF12D | | DRB12M X 21DP SG |
| FD152412 | 1 | DDF15D | | DRB15M X 21DP SG |
| FD182412 | 1 | DDF18D | | DRB18M X 21DP SG |
| FD212412 | 1 | DDF21D | | DRB21M X 21DP SG |
| FD242412 | 1 | DDF24D | | DRB24M X 21DP SG |
| FD272412 | 1 | DDF27D | | DRB27M X 21DP SG |
| FD302412 | 1 | DDF30D | | DRB30M X 21DP SG |
| FD332412 | 1 | DDF33D | | DRB33M X 21DP SG |
| FD362412 | 1 | DDF36D | | DRB36M X 21DP SG |
| PEDESTAL DRAWERS | | | | |
| PD1217 1DWR | 1 | DDF12D | | DRB12M X 21DP SG |
| PD1517 1DWR | 1 | DDF15D | | DRB15M X 21DP SG |
| PD1817 1DWR | 1 | DDF18D | | DRB18M X 21DP SG |
| PD2117 1DWR | 1 | DDF21D | | DRB21M X 21DP SG |
| PD2417 1DWR | 1 | DDF24D | | DRB24M X 21DP SG |
| PD2717 1DWR | 1 | DDF27D | | DRB27M X 21DP SG |
| PD3017 1DWR | 1 | DDF30D | | DRB30M X 21DP SG |
| PD3317 1DWR | 1 | DDF33D | | DRB33M X 21DP SG |
| PD3617 1DWR | 1 | DDF36D | | DRB36M X 21DP SG |

| SKU | Qty | DRAWER / PANEL FRONT | | Qty | DRAWER BODY | |
|--|--------|----------------------|--|--------|-------------------------------------|--|
| | | Partial Overlay | | | | |
| | | Part Name | | | Part Name | |
| THREE DRAWER BASE | | | | | | |
| DB12 | 1 2 | DDF12 DDF12D | | 1 2 | DRB12 X 21DP SG DRB12M X 21DP SG | |
| DB15 | 1 2 | DDF15 DDF15D | | 1 2 | DRB15 X 21DP SG DRB15M X 21DP SG | |
| DB18 | 1 2 | DDF18 DDF18D | | 1 2 | DRB18 X 21DP SG DRB18M X 21DP SG | |
| DB21 | 1 2 | DDF21 DDF21D | | 1 2 | DRB21 X 21DP SG DRB21M X 21DP SG | |
| DB24 | 1 2 | DDF24 DDF24D | | 1 2 | DRB24 X 21DP SG DRB24M X 21DP SG | |
| DB27 | 1 2 | DDF27 DDF27D | | 1 2 | DRB27 X 21DP SG DRB27M X 21DP SG | |
| DB30 | 1 2 | DDF30 DDF30D | | 1 2 | DRB30 X 21DP SG DRB30M X 21DP SG | |
| DB33 | 1 2 | DDF33 DDF33D | | 1 2 | DRB33 X 21DP SG DRB33M X 21DP SG | |
| DB36 1TD | 1 2 | DDF36 DDF36D | | 1 2 | DRB36 X 21DP SG DRB36M X 21DP SG | |
| FOUR DRAWER BASE | | | | | | |
| DB12 4DWR | 3 1 | DDF12 DDF12D | | 3 1 | DRB12 X 21DP SG DRB12M X 21DP SG | |
| DB15 4DWR | 3 1 | DDF15 DDF15D | | 3 1 | DRB15 X 21DP SG DRB15M X 21DP SG | |
| DB18 4DWR | 3 1 | DDF18 DDF18D | | 3 1 | DRB18 X 21DP SG DRB18M X 21DP SG | |
| DB21 4DWR | 3 1 | DDF21 DDF21D | | 3 1 | DRB21 X 21DP SG DRB21M X 21DP SG | |
| DB24 4DWR | 3 1 | DDF24 DDF24D | | 3 1 | DRB24 X 21DP SG DRB24M X 21DP SG | |
| BUILT-IN BASE MICROWAVE CABINET | | | | | | |
| BBMC24 | 1 | DDF24 | | 1 | DRB21 X 21DP SG | |
| BBMC27 | 1 | DDF27 | | 1 | DRB24 X 21DP SG | |
| BBMC30 | 1 | DDF30 | | 1 | DRB27 X 21DP SG | |
| BASE MICROWAVE CABINET | | | | | | |
| BMC24 | 2 | DDF24 | | 2 | DRB24 X 21DP SG | |
| BMC27 | 2 | DDF27 | | 2 | DRB27 X 21DP SG | |
| BMC30 | 2 | DDF30 | | 2 | DRB30 X 21DP SG | |
| BASE SPICE DRAWER CABINET | | | | | | |
| BSDC6 | 5 | DDF SDC | | 5 | DRB6 BSDC6 | |
| WALL SPICE DRAWER CABINET | | | | | | |
| SDC18 | 3 | DDF SDC | | 3 | DRB6 SDC30 | |
| SDC24 | 4 | DDF SDC | | 4 | DRB6 SDC30 | |
| SDC30 | 5 | DDF SDC | | 5 | DRB6 SDC30 | |
| SDC36 | 6 | DDF SDC | | 6 | DRB6 SDC30 | |

| SKU | Qty | DOOR | | PANEL | |
|--|-----|-------------|-----|-------------|-----|
| | | Part Name | Qty | Part Name | Qty |
| CORNER SINK BASE | | | | | |
| CSB36 | 1 | DR1524 | 1 | DDF15 | |
| CORNER SINK FRONT | | | | | |
| CSF36 | 1 | DR1524 | 1 | DDF15 | |
| CSF42 | 1 | DR2424 | 1 | DDF24 | |
| DEEP SINK/RANGE BASE | | | | | |
| DSB30 BUTT | 2 | DR1521 BUTT | - | N/A | |
| DSB33 BUTT | 2 | DR1621 BUTT | - | N/A | |
| DSB36 BUTT | 2 | DR1821 BUTT | - | N/A | |
| DSB39 | 2 | DR1921 | - | N/A | |
| SINK BASE MULTI-STORAGE | | | | | |
| SBMSC30 BUTT STO | 2 | DR1524 BUTT | 1 | DDF30 DRILL | |
| SBMSC36 BUTT STO | 2 | DR1824 BUTT | 1 | DDF36 DRILL | |
| SINK/COOKTOP BASE AND FRONT | | | | | |
| SF12 | 1 | DR1224 | 1 | DDF12 | |
| SF15 | 1 | DR1524 | 1 | DDF15 | |
| SB18 / SF18 | 1 | DR1824 | 1 | DDF18 | |
| SB21 / SF21 | 1 | DR2124 | 1 | DDF21 | |
| SB24 / SF24 | 1 | DR2424 | 1 | DDF24 | |
| SB24 BUTT / SF24 BUTT | 2 | DR1224 BUTT | 1 | DDF24 | |
| SB27 BUTT / SF27 BUTT | 2 | DR1324 BUTT | 1 | DDF27 | |
| SB30 BUTT / SF30 BUTT | 2 | DR1524 BUTT | 1 | DDF30 | |
| SB33 BUTT / SF33 BUTT | 2 | DR1624 BUTT | 1 | DDF33 | |
| SB36 BUTT / SF36 BUTT | 2 | DR1824 BUTT | 1 | DDF36 | |
| SB39 / SF39 | 2 | DR1924 | 2 | DDF19 | |
| SB42 / SF42 | 2 | DR2124 | 2 | DDF21 | |
| SB45 / SF45 | 3 | DR1524 | 3 | DDF15 | |
| SB48 / SF48 | 2 | DR2424 | 2 | DDF24 | |
| SINK BASE WITH FACTORY INSTALLED TILT-OUT TRAY(S) | | | | | |
| SB21 STO | 1 | DR2124 | 1 | DDF21 DRILL | |
| SB24 STO | 1 | DR2424 | 1 | DDF24 DRILL | |
| SB24 BUTT STO | 2 | DR1224 BUTT | 1 | DDF24 DRILL | |
| SB27 BUTT STO | 2 | DR1324 BUTT | 1 | DDF27 DRILL | |
| SB30 BUTT STO | 2 | DR1524 BUTT | 1 | DDF30 DRILL | |
| SB33 BUTT STO | 2 | DR1624 BUTT | 1 | DDF33 DRILL | |
| SB36 BUTT STO | 2 | DR1824 BUTT | 1 | DDF36 DRILL | |
| SB39 STO | 2 | DR1924 | 2 | DDF19 DRILL | |
| SB42 STO | 2 | DR2124 | 2 | DDF21 DRILL | |
| SB48 STO | 2 | DR2424 | 2 | DDF24 DRILL | |

| SKU | DOOR | | SPIN UNIT | |
|--------------------|-------------|-----------------------------------|-------------|---|
| | Qty | Part Name | Qty | Part Name |
| CORNER BASE | | | | |
| BER33 (L/R) | 1 1 | DR930 BER DRILL DR930 BER ND | - | N/A |
| BER3336L | 1 1 | DR930 BER DRILL DR1230 BER ND | - | N/A |
| BER3336R | 1 1 | DR930 BER ND DR1230 BER DRILL | - | N/A |
| BER36 (L/R) | 1 1 | DR1230 BER DRILL DR1230 BER ND | - | N/A |
| BER3633L | 1 1 | DR1230 BER DRILL DR930 BER ND | - | N/A |
| BER3633R | 1 1 | DR1230 BER ND DR930 BER DRILL | - | N/A |
| BSS33 (L/R) | 1 1 | DR930 BER DRILL DR930 BER ND | 1 | BSS33 UNIT RAS |
| BSS33 (L/R) WD | 1 1 | DR930 BER DRILL DR930 BER ND | 2 | BSS33 SHELF WD NP |
| BSS3336L | 1 1 | DR930 BER DRILL DR1230 BER ND | 1 | BSS33 UNIT RAS |
| BSS3336L WD | 1 1 | DR930 BER DRILL DR1230 BER ND | 2 | BSS3336 SHELF WD NP |
| BSS3336R | 1 1 | DR930 BER ND DR1230 BER DRILL | 1 | BSS33 UNIT RAS |
| BSS3336R WD | 1 1 | DR930 BER ND DR1230 BER DRILL | 2 | BSS3336 SHELF WD NP |
| BSS36 (L/R) | 1 1 | DR1230 BER DRILL DR1230 BER ND | 1 | BSS36 UNIT RAS |
| BSS36 (L/R) WD | 1 1 | DR1230 BER DRILL DR1230 BER ND | 2 | BSS36 SHELF WD NP |
| BSS3633L | 1 1 | DR1230 BER DRILL DR930 BER ND | 1 | BSS33 UNIT RAS |
| BSS3633L WD | 1 1 | DR1230 BER DRILL DR930 BER ND | 2 | BSS3633 SHELF WD NP |
| BSS3633R | 1 1 | DR1230 BER ND DR930 BER DRILL | 1 | BSS33 UNIT RAS |
| BSS3633R WD | 1 1 | DR1230 BER ND DR930 BER DRILL | 2 | BSS3633 SHELF WD NP |
| CAR36 (L/R) | 1 1 | DR1230 BER DRILL DR1230 BER ND | 1 | CAR36 UNIT RAS |
| CAR36 (L/R) WD | 1 1 1 | DR1230 BER DRILL DR1230 BER ND | 2 1 1 | CAR36 SHELF WD BSSCWSCAR T-SHAFT RA WOOD SPIN SHELF HDW |
| CBS36 | 1 | DRCBS36 | 1 | CBS36 UNIT RAS |
| CBS36 WD | 1 | DRCBS36 | 2 | CBS SHELF WD NP |

| SKU | Qty | DOOR | SPECIALTY DOOR | GLASS INSERT | Qty | ADJUSTABLE SHELF |
|--|--------|----------------------------|----------------|---------------|-----|--|
| | | | | | | *For Matching Interior Adjustable Shelf, refer to Parts Directory legend |
| | | Part Name | Part Name | Part Name | | *Part Name |
| UTILITY WITH ADJUSTABLE SHELVES - 12" DEEP X 84" HIGH | | | | | | |
| UT1212 X 84 AS | 1 1 | DR1230 DR1250 | DR1230 SD | DGI-1230 | 5 | S1212 |
| UT1512 X 84 AS | 1 1 | DR1530 DR1550 | DR1530 SD | DGI-1530 | 5 | S1512 |
| UT1812 X 84 AS | 1 1 | DR1830 DR1850 | DR1830 SD | DGI-1830 | 5 | S1812 |
| UT2112 X 84 AS | 1 1 | DR2130 DR2150 | DR2130 SD | DGI-2130 | 5 | S2112 |
| UT2412 X 84 AS BUTT | 2 2 | DR1230 BUTT DR1250 BUTT | DR1230 BUTT SD | DGI-1230 BUTT | 5 | S2412 |
| UTILITY WITH ADJUSTABLE SHELVES - 12" DEEP X 90" HIGH | | | | | | |
| UT1212 X 90 AS | 1 1 | DR1236 DR1250 | DR1236 SD | DGI-1236 | 6 | S1212 |
| UT1512 X 90 AS | 1 1 | DR1536 DR1550 | DR1536 SD | DGI-1536 | 6 | S1512 |
| UT1812 X 90 AS | 1 1 | DR1836 DR1850 | DR1836 SD | DGI-1836 | 6 | S1812 |
| UT2112 X 90 AS | 1 1 | DR2136 DR2150 | DR2136 SD | DGI-2136 | 6 | S2112 |
| UT2412 X 90 AS BUTT | 2 2 | DR1236 BUTT DR1250 BUTT | DR1236 BUTT SD | DGI-1236 BUTT | 6 | S2412 |
| UTILITY WITH ADJUSTABLE SHELVES - 12" DEEP X 96" HIGH | | | | | | |
| UT1212 X 96 AS | 1 1 | DR1242 DR1250 | DR1242 SD | DGI-1242 | 7 | S1212 |
| UT1512 X 96 AS | 1 1 | DR1542 DR1550 | DR1542 SD | DGI-1542 | 7 | S1512 |
| UT1812 X 96 AS | 1 1 | DR1842 DR1850 | DR1842 SD | DGI-1842 | 7 | S1812 |
| UT2112 X 96 AS | 1 1 | DR2142 DR2150 | DR2142 SD | DGI-2142 | 7 | S2112 |
| UT2412 X 96 AS BUTT | 2 2 | DR1242 BUTT DR1250 BUTT | DR1242 BUTT SD | DGI-1242 BUTT | 7 | S2412 |
| UTILITY WITH ADJUSTABLE SHELVES - 24" DEEP X 84" HIGH | | | | | | |
| UT1224 X 84 AS | 1 1 | DR1230 DR1250 | DR1230 SD | DGI-1230 | 5 | S1224 |
| UT1524 X 84 AS | 1 1 | DR1530 DR1550 | DR1530 SD | DGI-1530 | 5 | S1524 |
| UT1824 X 84 AS | 1 1 | DR1830 DR1850 | DR1830 SD | DGI-1830 | 5 | S1824 |
| UT2124 X 84 AS | 1 1 | DR2130 DR2150 | DR2130 SD | DGI-2130 | 5 | S2124 |
| UT2424 X 84 AS BUTT | 2 2 | DR1230 BUTT DR1250 BUTT | DR1230 BUTT SD | DGI-1230 BUTT | 5 | S2424 |
| UT2724 X 84 AS BUTT | 2 2 | DR1330 BUTT DR1350 BUTT | DR1330 BUTT SD | DGI-1330 BUTT | 5 | S2724 |
| UT3024 X 84 AS BUTT | 2 2 | DR1530 BUTT DR1550 BUTT | DR1530 BUTT SD | DGI-1530 BUTT | 5 | S3024 |
| UT3324 X 84 AS BUTT | 2 2 | DR1630 BUTT DR1650 BUTT | DR1630 BUTT SD | DGI-1630 BUTT | 5 | S3324 |
| UT3624 X 84 AS BUTT | 2 2 | DR1830 BUTT DR1850 BUTT | DR1830 BUTT SD | DGI-1830 BUTT | 5 | S3624 |

| SKU | Qty | DOOR | SPECIALTY DOOR | GLASS INSERT | Qty | ADJUSTABLE SHELF |
|--|--------|----------------------------|----------------|---------------|--------|--|
| | | | | | | *For Matching Interior Adjustable Shelf, refer to Parts Directory legend |
| | | Part Name | Part Name | Part Name | | *Part Name |
| UTILITY WITH ADJUSTABLE SHELVES - 24" DEEP X 90" HIGH | | | | | | |
| UT1224 X 90 AS | 1 1 | DR1236 DR1250 | DR1236 SD | DGI-1236 | 6 | S1224 |
| UT1524 X 90 AS | 1 1 | DR1536 DR1550 | DR1536 SD | DGI-1536 | 6 | S1524 |
| UT1824 X 90 AS | 1 1 | DR1836 DR1850 | DR1836 SD | DGI-1836 | 6 | S1824 |
| UT2124 X 90 AS | 1 1 | DR2136 DR2150 | DR2136 SD | DGI-2136 | 6 | S2124 |
| UT2424 X 90 AS BUTT | 2 2 | DR1236 BUTT DR1250 BUTT | DR1236 BUTT SD | DGI-1236 BUTT | 6 | S2424 |
| UT2724 X 90 AS BUTT | 2 2 | DR1336 BUTT DR1350 BUTT | DR1336 BUTT SD | DGI-1336 BUTT | 6 | S2724 |
| UT3024 X 90 AS BUTT | 2 2 | DR1536 BUTT DR1550 BUTT | DR1536 BUTT SD | DGI-1536 BUTT | 6 | S3024 |
| UT3324 X 90 AS BUTT | 2 2 | DR1636 BUTT DR1650 BUTT | DR1636 BUTT SD | DGI-1636 BUTT | 6 | S3324 |
| UT3624 X 90 AS BUTT | 2 2 | DR1836 BUTT DR1850 BUTT | DR1836 BUTT SD | DGI-1836 BUTT | 6 | S3624 |
| UTILITY WITH ADJUSTABLE SHELVES - 24" DEEP X 96" HIGH | | | | | | |
| UT1224 X 96 AS | 1 1 | DR1242 DR1250 | DR1242 SD | DGI-1242 | 7 | S1224 |
| UT1524 X 96 AS | 1 1 | DR1542 DR1550 | DR1542 SD | DGI-1542 | 7 | S1524 |
| UT1824 X 96 AS | 1 1 | DR1842 DR1850 | DR1842 SD | DGI-1842 | 7 | S1824 |
| UT2124 X 96 AS | 1 1 | DR2142 DR2150 | DR2142 SD | DGI-2142 | 7 | S2124 |
| UT2424 X 96 AS BUTT | 2 2 | DR1242 BUTT DR1250 BUTT | DR1242 BUTT SD | DGI-1242 BUTT | 7 | S2424 |
| UT2724 X 96 AS BUTT | 2 2 | DR1342 BUTT DR1350 BUTT | DR1342 BUTT SD | DGI-1342 BUTT | 7 | S2724 |
| UT3024 X 96 AS BUTT | 2 2 | DR1542 BUTT DR1550 BUTT | DR1542 BUTT SD | DGI-1542 BUTT | 7 | S3024 |
| UT3324 X 96 AS BUTT | 2 2 | DR1642 BUTT DR1650 BUTT | DR1642 BUTT SD | DGI-1642 BUTT | 7 | S3324 |
| UT3624 X 96 AS BUTT | 2 2 | DR1842 BUTT DR1850 BUTT | DR1842 BUTT SD | DGI-1842 BUTT | 7 | S3624 |
| UTILITY WITH SLIDING SHELVES - 84" HIGH | | | | | | |
| UT1224 X 84 4SSK | 1 1 | DR1230 DR1250 | DR1230 SD | DGI-1230 | 1 4 | S1224 SSK12 |
| UT1524 X 84 4SSK | 1 1 | DR1530 DR1550 | DR1530 SD | DGI-1530 | 1 4 | S1524 SSK15 |
| UT1824 X 84 4SSK | 1 1 | DR1830 DR1850 | DR1830 SD | DGI-1830 | 1 4 | S1824 SSK18 |
| UT2124 X 84 4SSK | 1 1 | DR2130 DR2150 | DR2130 SD | DGI-2130 | 1 4 | S2124 SSK21 |
| UT2424 X 84 4SSK BUTT | 2 2 | DR1230 BUTT DR1250 BUTT | DR1230 BUTT SD | DGI-1230 BUTT | 1 4 | S2424 SSK24 |
| UT2724 X 84 4SSK BUTT | 2 2 | DR1330 BUTT DR1350 BUTT | DR1330 BUTT SD | DGI-1330 BUTT | 1 4 | S2724 SSK27 |
| UT3024 X 84 4SSK BUTT | 2 2 | DR1530 BUTT DR1550 BUTT | DR1530 BUTT SD | DGI-1530 BUTT | 1 4 | S3024 SSK30 |
| UT3324 X 84 4SSK BUTT | 2 2 | DR1630 BUTT DR1650 BUTT | DR1630 BUTT SD | DGI-1630 BUTT | 1 4 | S3324 SSK33 |
| UT3624 X 84 4SSK BUTT | 2 2 | DR1830 BUTT DR1850 BUTT | DR1830 BUTT SD | DGI-1830 BUTT | 1 4 | S3624 SSK36 |

| SKU | Qty | DOOR | SPECIALTY DOOR | GLASS INSERT | Qty | ADJUSTABLE SHELF |
|--|--------|----------------------------|----------------|---------------|--------|---|
| | | | | | | *For Matching Interior Adjustable Shelf, refer to Parts Directory legend |
| | | Part Name | Part Name | Part Name | | *Part Name |
| UTILITY WITH SLIDING SHELVES - 90" HIGH | | | | | | |
| UT1224 X 90 4SSK | 1 1 | DR1236 DR1250 | DR1236 SD | DGI-1236 | 2 4 | S1224 SSK12 |
| UT1524 X 90 4SSK | 1 1 | DR1536 DR1550 | DR1536 SD | DGI-1536 | 2 4 | S1524 SSK15 |
| UT1824 X 90 4SSK | 1 1 | DR1836 DR1850 | DR1836 SD | DGI-1836 | 2 4 | S1824 SSK18 |
| UT2124 X 90 4SSK | 1 1 | DR2136 DR2150 | DR2136 SD | DGI-2136 | 2 4 | S2124 SSK21 |
| UT2424 X 90 4SSK BUTT | 2 2 | DR1236 BUTT DR1250 BUTT | DR1236 BUTT SD | DGI-1236 BUTT | 2 4 | S2424 SSK24 |
| UT2724 X 90 4SSK BUTT | 2 2 | DR1336 BUTT DR1350 BUTT | DR1336 BUTT SD | DGI-1336 BUTT | 2 4 | S2724 SSK27 |
| UT3024 X 90 4SSK BUTT | 2 2 | DR1536 BUTT DR1550 BUTT | DR1536 BUTT SD | DGI-1536 BUTT | 2 4 | S3024 SSK30 |
| UT3324 X 90 4SSK BUTT | 2 2 | DR1636 BUTT DR1650 BUTT | DR1636 BUTT SD | DGI-1636 BUTT | 2 4 | S3324 SSK33 |
| UT3624 X 90 4SSK BUTT | 2 2 | DR1836 BUTT DR1850 BUTT | DR1836 BUTT SD | DGI-1836 BUTT | 2 4 | S3624 SSK36 |
| UTILITY WITH SLIDING SHELVES - 96" HIGH | | | | | | |
| UT1224 X 96 4SSK | 1 1 | DR1242 DR1250 | DR1242 SD | DGI-1242 | 3 4 | S1224 SSK12 |
| UT1524 X 96 4SSK | 1 1 | DR1542 DR1550 | DR1542 SD | DGI-1542 | 3 4 | S1524 SSK15 |
| UT1824 X 96 4SSK | 1 1 | DR1842 DR1850 | DR1842 SD | DGI-1842 | 3 4 | S1824 SSK18 |
| UT2124 X 96 4SSK | 1 1 | DR2142 DR2150 | DR2142 SD | DGI-2142 | 3 4 | S2124 SSK21 |
| UT2424 X 96 4SSK BUTT | 2 2 | DR1242 BUTT DR1250 BUTT | DR1242 BUTT SD | DGI-1242 BUTT | 3 4 | S2424 SSK24 |
| UT2724 X 96 4SSK BUTT | 2 2 | DR1342 BUTT DR1350 BUTT | DR1342 BUTT SD | DGI-1342 BUTT | 3 4 | S2724 SSK27 |
| UT3024 X 96 4SSK BUTT | 2 2 | DR1542 BUTT DR1550 BUTT | DR1542 BUTT SD | DGI-1542 BUTT | 3 4 | S3024 SSK30 |
| UT3324 X 96 4SSK BUTT | 2 2 | DR1642 BUTT DR1650 BUTT | DR1642 BUTT SD | DGI-1642 BUTT | 3 4 | S3324 SSK33 |
| UT3624 X 96 4SSK BUTT | 2 2 | DR1842 BUTT DR1850 BUTT | DR1842 BUTT SD | DGI-1842 BUTT | 3 4 | S3624 SSK36 |

| SKU | Qty | DOOR | | SHELF / ACCESSORY | | DRAWER FRONT | | DRAWER BODY | |
|--|-----|-------------|-----|-------------------|-----|-----------------|------------------|-------------|--|
| | | Part Name | Qty | *Part Name | Qty | Partial Overlay | | Part Name | |
| | | | | | | Part Name | Part Name | | |
| SINGLE OVEN CABINETS WITH 4 BUTT DOORS AND 1 DRAWER - 84" HIGH | | | | | | | | | |
| OVS2784 BUTT 1DWR | 2 | DR1318 BUTT | - | N/A | - | DDF27 | DRB24 X 21DP SG | | |
| | 2 | DR1324 BUTT | | | | | | | |
| OVS3084 BUTT 1DWR | 2 | DR1518 BUTT | - | N/A | - | DDF30 | DRB27 X 21DP SG | | |
| | 2 | DR1524 BUTT | | | | | | | |
| OVS3384 BUTT 1DWR | 2 | DR1618 BUTT | - | N/A | - | DDF33 | DRB30 X 21DP SG | | |
| | 2 | DR1624 BUTT | | | | | | | |
| SINGLE OVEN CABINETS WITH 4 BUTT DOORS AND 1 DRAWER - 90" HIGH | | | | | | | | | |
| OVS2790 AS BUTT 1DWR | 4 | DR1324 BUTT | 1 | S2724 | 1 | DDF27 | DRB24 X 21DP SG | | |
| OVS3090 AS BUTT 1DWR | 4 | DR1524 BUTT | 1 | S3024 | 1 | DDF30 | DRB27 X 21DP SG | | |
| OVS3390 AS BUTT 1DWR | 4 | DR1624 BUTT | 1 | S3324 | 1 | DDF33 | DRB30 X 21DP SG | | |
| SINGLE OVEN CABINETS WITH 4 BUTT DOORS AND 1 DRAWER - 96" HIGH | | | | | | | | | |
| OVS2796 AS BUTT 1DWR | 2 | DR1330 BUTT | 1 | S2724 | 2 | DDF27 | DRB24 X 21DP SG | | |
| | 2 | DR1324 BUTT | | | | | | | |
| OVS3096 AS BUTT 1DWR | 2 | DR1530 BUTT | 1 | S3024 | 2 | DDF30 | DRB27 X 21DP SG | | |
| | 2 | DR1524 BUTT | | | | | | | |
| OVS3396 AS BUTT 1DWR | 2 | DR1630 BUTT | 1 | S3324 | 2 | DDF33 | DRB30 X 21DP SG | | |
| | 2 | DR1624 BUTT | | | | | | | |
| SINGLE OVEN CABINETS WITH 4 BUTT DOORS AND 2 DRAWERS - 90" HIGH | | | | | | | | | |
| OVS2790 AS BUTT 2DWR | 4 | DR1324 BUTT | 1 | S2724 | 2 | DDF27 | DRB24 X 21DP SG | | |
| OVS3090 AS BUTT 2DWR | 4 | DR1524 BUTT | 1 | S3024 | 2 | DDF30 | DRB27 X 21DP SG | | |
| OVS3390 AS BUTT 2DWR | 4 | DR1624 BUTT | 1 | S3324 | 2 | DDF33 | DRB30 X 21DP SG | | |
| SINGLE OVEN CABINETS WITH 4 BUTT DOORS AND 2 DRAWERS - 96" HIGH | | | | | | | | | |
| OVS2796 AS BUTT 2DWR | 2 | DR1330 BUTT | 2 | S2724 | 2 | DDF27 | DRB24 X 21DP SG | | |
| | 2 | DR1324 BUTT | | | | | | | |
| OVS3096 AS BUTT 2DWR | 2 | DR1530 BUTT | 2 | S3024 | 2 | DDF30 | DRB27 X 21DP SG | | |
| | 2 | DR1524 BUTT | | | | | | | |
| OVS3396 AS BUTT 2DWR | 2 | DR1630 BUTT | 2 | S3324 | 2 | DDF33 | DRB30 X 21DP SG | | |
| | 2 | DR1624 BUTT | | | | | | | |
| SINGLE OVEN CABINETS WITH 2 BUTT DOORS 4 DRAWERS - 84" HIGH | | | | | | | | | |
| OVS2784 BUTT 4DWR | 2 | DR1318 BUTT | - | N/A | 2 | DDF27 | DRB24 X 21DP SG | | |
| | | | | | 2 | DDF27D | DRB24M X 21DP SG | | |
| OVS3084 BUTT 4DWR | 2 | DR1518 BUTT | - | N/A | 2 | DDF30 | DRB27 X 21DP SG | | |
| | | | | | 2 | DDF30D | DRB27M X 21DP SG | | |
| OVS3384 BUTT 4DWR | 2 | DR1618 BUTT | - | N/A | 2 | DDF33 | DRB30 X 21DP SG | | |
| | | | | | 2 | DDF33D | DRB30M X 21DP SG | | |
| SINGLE OVEN CABINETS WITH 2 BUTT DOORS 4 DRAWERS - 90" HIGH | | | | | | | | | |
| OVS2790 AS BUTT 4DWR | 2 | DR1324 BUTT | 1 | S2724 | 2 | DDF27 | DRB24 X 21DP SG | | |
| | | | | | 2 | DDF27D | DRB24M X 21DP SG | | |
| OVS3090 AS BUTT 4DWR | 2 | DR1524 BUTT | 1 | S3024 | 2 | DDF30 | DRB27 X 21DP SG | | |
| | | | | | 2 | DDF30D | DRB27M X 21DP SG | | |
| OVS3390 AS BUTT 4DWR | 2 | DR1624 BUTT | 1 | S3324 | 2 | DDF33 | DRB30 X 21DP SG | | |
| | | | | | 2 | DDF33D | DRB30M X 21DP SG | | |
| SINGLE OVEN CABINETS WITH 2 BUTT DOORS 4 DRAWERS - 96" HIGH | | | | | | | | | |
| OVS2796 AS BUTT 4DWR | 2 | DR1330 BUTT | 2 | S2724 | 2 | DDF27 | DRB24 X 21DP SG | | |
| | | | | | 2 | DDF27D | DRB24M X 21DP SG | | |
| OVS3096 AS BUTT 4DWR | 2 | DR1530 BUTT | 2 | S3024 | 2 | DDF30 | DRB27 X 21DP SG | | |
| | | | | | 2 | DDF30D | DRB27M X 21DP SG | | |
| OVS3396 AS BUTT 4DWR | 2 | DR1630 BUTT | 2 | S3324 | 2 | DDF33 | DRB30 X 21DP SG | | |
| | | | | | 2 | DDF33D | DRB30M X 21DP SG | | |

| SKU | DOOR | | ADJUSTABLE SHELF | |
|--|--------|----------------------------|------------------|------------|
| | Qty | Part Name | Qty | *Part Name |
| SINGLE OVEN CABINETS WITH 4 BUTT DOORS - 84" HIGH | | | | |
| OVS2784 BUTT | 2 2 | DR1318 BUTT DR1324 BUTT | - | N/A |
| OVS3084 BUTT | 2 2 | DR1518 BUTT DR1524 BUTT | - | N/A |
| OVS3384 BUTT | 2 2 | DR1618 BUTT DR1624 BUTT | - | N/A |
| SINGLE OVEN CABINETS WITH 4 BUTT DOORS - 90" HIGH | | | | |
| OVS2790 AS BUTT | 4 | DR1324 BUTT | 1 | S2724 |
| OVS3090 AS BUTT | 4 | DR1524 BUTT | 1 | S3024 |
| OVS3390 AS BUTT | 4 | DR1624 BUTT | 1 | S3324 |
| SINGLE OVEN CABINETS WITH 4 BUTT DOORS - 96" HIGH | | | | |
| OVS2796 AS BUTT | 2 2 | DR1330 BUTT DR1324 BUTT | 2 | S2724 |
| OVS3096 AS BUTT | 2 2 | DR1530 BUTT DR1524 BUTT | 2 | S3024 |
| OVS3396 AS BUTT | 2 2 | DR1630 BUTT DR1624 BUTT | 2 | S3324 |

| SKU | Qty | DOOR | | SHELF / ACCESSORY | | DRAWER FRONT | | DRAWER BODY | |
|---|-----|-------------|-----|-------------------|-----|-----------------|------------------|-------------|-----------|
| | | Part Name | Qty | Part Name | Qty | Partial Overlay | | Part Name | Part Name |
| | | | | | | Part Name | Part Name | | |
| DOUBLE OVEN CABINETS WITH 2 BUTT DOORS, 1 DRAWER - 84" HIGH | | | | | | | | | |
| OVD2784 BUTT | 2 | DR1318 BUTT | - | N/A | 1 | DDF27 | DRB24 X 21DP SG | | |
| OVD3084 BUTT | 2 | DR1518 BUTT | - | N/A | 1 | DDF30 | DRB27 X 21DP SG | | |
| OVD3384 BUTT | 2 | DR1618 BUTT | - | N/A | 1 | DDF33 | DRB30 X 21DP SG | | |
| DOUBLE OVEN CABINETS WITH 2 BUTT DOORS, 1 DRAWER - 90" HIGH | | | | | | | | | |
| OVD2790 AS BUTT | 2 | DR1324 BUTT | 1 | S2724 | 1 | DDF27 | DRB24 X 21DP SG | | |
| OVD3090 AS BUTT | 2 | DR1524 BUTT | 1 | S3024 | 1 | DDF30 | DRB27 X 21DP SG | | |
| OVD3390 AS BUTT | 2 | DR1624 BUTT | 1 | S3324 | 1 | DDF33 | DRB30 X 21DP SG | | |
| DOUBLE OVEN CABINETS WITH 2 BUTT DOORS, 1 DRAWER - 96" HIGH | | | | | | | | | |
| OVD2796 AS BUTT | 2 | DR1330 BUTT | 2 | S2724 | 1 | DDF27 | DRB24 X 21DP SG | | |
| OVD3096 AS BUTT | 2 | DR1530 BUTT | 2 | S3024 | 1 | DDF30 | DRB27 X 21DP SG | | |
| OVD3396 AS BUTT | 2 | DR1630 BUTT | 2 | S3324 | 1 | DDF33 | DRB30 X 21DP SG | | |
| DOUBLE OVEN CABINETS WITH 2 BUTT DOORS AND 1 LARGE DRAWER - 84" HIGH | | | | | | | | | |
| OVD2784 BUTT 1DDWR | 2 | DR1318 BUTT | - | N/A | 1 | DDF27D | DRB24M X 21DP SG | | |
| OVD3084 BUTT 1DDWR | 2 | DR1518 BUTT | - | N/A | 1 | DDF30D | DRB27M X 21DP SG | | |
| OVD3384 BUTT 1DDWR | 2 | DR1618 BUTT | - | N/A | 1 | DDF33D | DRB30M X 21DP SG | | |
| DOUBLE OVEN CABINETS WITH 2 BUTT DOORS AND 1 LARGE DRAWER - 90" HIGH | | | | | | | | | |
| OVD2790 AS BUTT 1DDWR | 2 | DR1324 BUTT | 1 | S2724 | 1 | DDF27D | DRB24M X 21DP SG | | |
| OVD3090 AS BUTT 1DDWR | 2 | DR1524 BUTT | 1 | S3024 | 1 | DDF30D | DRB27M X 21DP SG | | |
| OVD3390 AS BUTT 1DDWR | 2 | DR1624 BUTT | 1 | S3324 | 1 | DDF33D | DRB30M X 21DP SG | | |
| DOUBLE OVEN CABINETS WITH 2 BUTT DOORS AND 1 LARGE DRAWER - 96" HIGH | | | | | | | | | |
| OVD2796 AS BUTT 1DDWR | 2 | DR1330 BUTT | 2 | S2724 | 1 | DDF27D | DRB24M X 21DP SG | | |
| OVD3096 AS BUTT 1DDWR | 2 | DR1530 BUTT | 2 | S3024 | 1 | DDF30D | DRB27M X 21DP SG | | |
| OVD3396 AS BUTT 1DDWR | 2 | DR1630 BUTT | 2 | S3324 | 1 | DDF33D | DRB30M X 21DP SG | | |
| DOUBLE OVEN CABINETS WITH 2 BUTT DOORS AND 2 DRAWERS - 84" HIGH | | | | | | | | | |
| OVD2784 BUTT 2DWR | 2 | DR1318 BUTT | - | N/A | 2 | DDF27 | DRB24 X 21DP SG | | |
| OVD3084 BUTT 2DWR | 2 | DR1518 BUTT | - | N/A | 2 | DDF30 | DRB27 X 21DP SG | | |
| OVD3384 BUTT 2DWR | 2 | DR1618 BUTT | - | N/A | 2 | DDF33 | DRB30 X 21DP SG | | |
| DOUBLE OVEN CABINETS WITH 2 BUTT DOORS AND 2 DRAWERS - 90" HIGH | | | | | | | | | |
| OVD2790 AS BUTT 2DWR | 2 | DR1324 BUTT | 1 | S2724 | 2 | DDF27 | DRB24 X 21DP SG | | |
| OVD3090 AS BUTT 2DWR | 2 | DR1524 BUTT | 1 | S3024 | 2 | DDF30 | DRB27 X 21DP SG | | |
| OVD3390 AS BUTT 2DWR | 2 | DR1624 BUTT | 1 | S3324 | 2 | DDF33 | DRB30 X 21DP SG | | |
| DOUBLE OVEN CABINETS WITH 2 BUTT DOORS AND 2 DRAWERS - 96" HIGH | | | | | | | | | |
| OVD2796 AS BUTT 2DWR | 2 | DR1330 BUTT | 2 | S2724 | 2 | DDF27 | DRB24 X 21DP SG | | |
| OVD3096 AS BUTT 2DWR | 2 | DR1530 BUTT | 2 | S3024 | 2 | DDF30 | DRB27 X 21DP SG | | |
| OVD3396 AS BUTT 2DWR | 2 | DR1630 BUTT | 2 | S3324 | 2 | DDF33 | DRB30 X 21DP SG | | |
| OVEN MICROWAVE CABINET - 96" HIGH | | | | | | | | | |
| OMC3396 AS OS BUTT | 2 | DR1624 BUTT | 1 | S3324 | 1 | DDF33 | DRB30 X 21DP SG | | |

| SKU | Qty | DOOR | | DRAWER FRONT/PANEL | | DRAWER BODY | |
|---|--------|-------------------------|-------------|--------------------------|--------|-------------------------------------|-----|
| | | Part Name | Qty | Partial Overlay | | Part Name | Qty |
| | | | | Part Name | Qty | | |
| VANITY BASE - 31 1/8" HIGH | | | | | | | |
| VB12 | 1 | DR1221V | 1 | DDF12 | 1 | DRB12 X 18DP SG | |
| VB15 | 1 | DR1521V | 1 | DDF15 | 1 | DRB15 X 18DP SG | |
| VB18 | 1 | DR1821V | 1 | DDF18 | 1 | DRB18 X 18DP SG | |
| VB21 | 1 | DR2121V | 1 | DDF21 | 1 | DRB21 X 18DP SG | |
| VB24 BUTT | 2 | DR1221V BUTT | 1 | DDF24 | 1 | DRB24 X 18DP SG | |
| VB27 BUTT | 2 | DR1321V BUTT | 1 | DDF27 | 1 | DRB27 X 18DP SG | |
| VB30 BUTT | 2 | DR1521V BUTT | 1 | DDF30 | 1 | DRB30 X 18DP SG | |
| VB33 BUTT | 2 | DR1621V BUTT | 1 | DDF33 | 1 | DRB33 X 18DP SG | |
| VB36 BUTT | 2 | DR1821V BUTT | 1 | DDF36 | 1 | DRB36 X 18DP SG | |
| VANITY SINK BASE WITH TOP DRAWERS - 31 1/8" HIGH | | | | | | | |
| VAN36 BUTT | 2 | DR1821V BUTT | 3 | DDF12 | 2 | DRB10 X 18DP SG | |
| VAN39 | 2 | DR1921V | 2 1 | DDF12 DDF15 | 2 | DRB12 X 18DP SG | |
| VAN42 | 2 | DR2121V | 2 1 | DDF12 DDF18 | 2 | DRB12 X 18DP SG | |
| VAN48 | 2 1 | DR1521V DR1821V | 2 1 | DDF15 DDF18 | 2 | DRB15 X 18DP SG | |
| VAN54 BK BUTT | 2 2 | DR1221V DR1521V BUTT | 2 1 | DDF12 DDF30 | 2 | DRB12 X 18DP SG | |
| VAN60 BK BUTT | 2 2 | DR1521V DR1521V BUTT | 2 1 | DDF15 DDF30 | 2 | DRB15 X 18DP SG | |
| VANITY COMBO SINK BASE - 18" DEEP X 31 1/8" HIGH | | | | | | | |
| VSDB2418 BK | 1 | DR1221V | 1 1 1 | DDF12 DDF12D DDF24 | 1 1 | DRB12 X 15DP SG DRB12M X 15DP SG | |
| VSDB2718 BK | 1 | DR1521V | 1 1 1 | DDF12 DDF12D DDF27 | 1 1 | DRB12 X 15DP SG DRB12M X 15DP SG | |
| VSDB3018 BK | 1 | DR1821V | 1 1 1 | DDF12 DDF12D DDF30 | 1 1 | DRB12 X 15DP SG DRB12M X 15DP SG | |
| VSDB3318 BK | 1 | DR2121V | 1 1 1 | DDF12 DDF12D DDF33 | 1 1 | DRB12 X 15DP SG DRB12M X 15DP SG | |
| VSDB3618 BK | 1 | DR2121V | 1 1 1 | DDF15 DDF15D DDF36 | 1 1 | DRB15 X 15DP SG DRB15M X 15DP SG | |

| SKU | Qty | DOOR | Qty | DRAWER FRONT/PANEL | Qty | DRAWER BODY |
|---|-----|--------------|-----|--------------------|-----|------------------|
| | | Part Name | | Partial Overlay | | Part Name |
| | | | | Part Name | | |
| VANITY COMBO SINK BASE - 31 1/8" HIGH | | | | | | |
| VSDB24 BK | 1 | DR1221V | 1 | DDF12 | 1 | DRB12 X 18DP SG |
| | | | 1 | DDF12D | 1 | DRB12M X 18DP SG |
| | | | 1 | DDF24 | | |
| VSDB27 BK | 1 | DR1521V | 1 | DDF12 | 1 | DRB12 X 18DP SG |
| | | | 1 | DDF12D | 1 | DRB12M X 18DP SG |
| | | | 1 | DDF27 | | |
| VSDB30 BK | 1 | DR1821V | 1 | DDF12 | 1 | DRB12 X 18DP SG |
| | | | 1 | DDF12D | 1 | DRB12M X 18DP SG |
| | | | 1 | DDF30 | | |
| VSDB33 BK | 1 | DR2121V | 1 | DDF12 | 1 | DRB12 X 18DP SG |
| | | | 1 | DDF12D | 1 | DRB12M X 18DP SG |
| | | | 1 | DDF33 | | |
| VSDB36 BK | 1 | DR2121V | 1 | DDF15 | 1 | DRB15 X 18DP SG |
| | | | 1 | DDF15D | 1 | DRB15M X 18DP SG |
| | | | 1 | DDF36 | | |
| VSDB42 BK BUTT | 2 | DR1521V BUTT | 1 | DDF30 | 2 | DRB12 X 18DP SG |
| | | | 2 | DDF12 | 1 | DRB12M X 18DP SG |
| | | | 1 | DDF12D | | |
| VSDB48D BK BUTT | 2 | DR1221V BUTT | 1 | DDF24 | 4 | DRB12 X 18DP SG |
| | | | 4 | DDF12 | 2 | DRB12M X 18DP SG |
| | | | 2 | DDF12D | | |
| VSDB54D BK BUTT | 2 | DR1221V BUTT | 1 | DDF24 | 4 | DRB15 X 18DP SG |
| | | | 4 | DDF15 | 2 | DRB15M X 18DP SG |
| | | | 2 | DDF15D | | |
| VSDB60C BK BUTT | 4 | DR1221V BUTT | 2 | DDF24 | 2 | DRB12 X 18DP SG |
| | | | 2 | DDF12 | 1 | DRB12M X 18DP SG |
| | | | 1 | DDF12D | | |
| VSDB60D BK BUTT | 2 | DR1521V BUTT | 1 | DDF30 | 4 | DRB15 X 18DP SG |
| | | | 4 | DDF15 | 2 | DRB15M X 18DP SG |
| | | | 2 | DDF15D | | |
| VANITY BASE - 34 1/2" HIGH | | | | | | |
| VB1234H | 1 | DR1224 | 1 | DDF12 | 1 | DRB12 X 18DP SG |
| VB1534H | 1 | DR1524 | 1 | DDF15 | 1 | DRB15 X 18DP SG |
| VB1834H | 1 | DR1824 | 1 | DDF18 | 1 | DRB18 X 18DP SG |
| VB2134H | 1 | DR2124 | 1 | DDF21 | 1 | DRB21 X 18DP SG |
| VB2434H BUTT | 2 | DR1224 BUTT | 1 | DDF24 | 1 | DRB24 X 18DP SG |
| VB2734H BUTT | 2 | DR1324 BUTT | 1 | DDF27 | 1 | DRB27 X 18DP SG |
| VB3034H BUTT | 2 | DR1524 BUTT | 1 | DDF30 | 1 | DRB30 X 18DP SG |
| VB3334H BUTT | 2 | DR1624 BUTT | 1 | DDF33 | 1 | DRB33 X 18DP SG |
| VB3634H BUTT | 2 | DR1824 BUTT | 1 | DDF36 | 1 | DRB36 X 18DP SG |
| VANITY SINK BASE WITH TOP DRAWERS - 34 1/2" HIGH | | | | | | |
| VAN3634H BUTT | 2 | DR1824 BUTT | 3 | DDF12 | 2 | DRB10 X 18DP SG |
| VAN4234H | 2 | DR2124 | 2 | DDF12 | 2 | DRB12 X 18DP SG |
| | | | 1 | DDF18 | | |
| VAN3934H | 2 | DR1924 | 2 | DDF12 | 2 | DRB12 X 18DP SG |
| | | | 1 | DDF15 | | |
| VAN4834H | 2 | DR1524 | 2 | DDF15 | 2 | DRB15 X 18DP SG |
| | 1 | DR1824 | 1 | DDF18 | | |
| VAN5434H BK BUTT | 2 | DR1224 | 2 | DDF12 | 2 | DRB12 X 18DP SG |
| | 2 | DR1524 BUTT | 1 | DDF30 | | |
| VAN6034H BK BUTT | 2 | DR1524 | 2 | DDF15 | 2 | DRB15 X 18DP SG |
| | 2 | DR1524 BUTT | 1 | DDF30 | | |

| SKU | Qty | DOOR | | DRAWER FRONT/PANEL | | DRAWER BODY | |
|---|-----|-------------|-----|--------------------|-----|------------------|-----------|
| | | Part Name | Qty | Partial Overlay | | Qty | Part Name |
| | | | | Part Name | Qty | | |
| VANITY COMBO SINK BASE - 18" DEEP X 34 1/2" HIGH | | | | | | | |
| VSDB241834H BK | 1 | DR1224 | 2 | DDF12D | 2 | DRB12M X 15DP SG | |
| | | | 1 | DDF24 | | | |
| VSDB271834H BK | 1 | DR1524 | 2 | DDF12D | 2 | DRB12M X 15DP SG | |
| | | | 1 | DDF27 | | | |
| VSDB301834H BK | 1 | DR1824 | 2 | DDF12D | 2 | DRB12M X 15DP SG | |
| | | | 1 | DDF30 | | | |
| VSDB331834H BK | 1 | DR2124 | 2 | DDF12D | 2 | DRB12M X 15DP SG | |
| | | | 1 | DDF33 | | | |
| VSDB361834H BK | 1 | DR2124 | 2 | DDF15D | 2 | DRB15M X 15DP SG | |
| | | | 1 | DDF36 | | | |
| VANITY COMBO SINK BASE - 34 1/2" HIGH | | | | | | | |
| VSDB2434H BK | 1 | DR1224 | 2 | DDF12D | 2 | DRB12M X 18DP SG | |
| | | | 1 | DDF24 | | | |
| VSDB2734H BK | 1 | DR1524 | 2 | DDF12D | 2 | DRB12M X 18DP SG | |
| | | | 1 | DDF27 | | | |
| VSDB3034H BK | 1 | DR1824 | 2 | DDF12D | 2 | DRB12M X 18DP SG | |
| | | | 1 | DDF30 | | | |
| VSDB3334H BK | 1 | DR2124 | 2 | DDF12D | 2 | DRB12M X 18DP SG | |
| | | | 1 | DDF33 | | | |
| VSDB3634H BK | 1 | DR2124 | 2 | DDF15D | 2 | DRB15M X 18DP SG | |
| | | | 1 | DDF36 | | | |
| VSDB3934H BK | 1 | DR2124 | 1 | DDF21 | 2 | DRB18M X 18DP SG | |
| | | | 1 | DDF18 | | | |
| | | | 2 | DDF18D | | | |
| VSDB4234H BK BUTT | 2 | DR1524 BUTT | 1 | DDF30 | 1 | DRB12 X 18DP SG | |
| | | | 1 | DDF12 | 2 | DRB12M X 18DP SG | |
| | | | 2 | DDF12D | | | |
| VSDB4834HD BK BUTT | 2 | DR1224 BUTT | 1 | DDF24 | 2 | DRB12 X 18DP SG | |
| | | | 2 | DDF12 | 4 | DRB12M X 18DP SG | |
| | | | 4 | DDF12D | | | |
| VSDB5434HD BK BUTT | 2 | DR1224 BUTT | 1 | DDF24 | 2 | DRB15 X 18DP SG | |
| | | | 2 | DDF15 | 4 | DRB15M X 18DP SG | |
| | | | 4 | DDF15D | | | |
| VSDB6034HC BK BUTT | 4 | DR1224 BUTT | 2 | DDF24 | 1 | DRB12 X 18DP SG | |
| | | | 1 | DDF12 | 2 | DRB12M X 18DP SG | |
| | | | 2 | DDF12D | | | |
| VSDB6034HD BK BUTT | 2 | DR1524 BUTT | 1 | DDF30 | 2 | DRB15 X 18DP SG | |
| | | | 2 | DDF15 | 4 | DRB15M X 18DP SG | |
| | | | 4 | DDF15D | | | |

| SKU | Qty | DOOR | SPECIALTY DOOR | GLASS INSERT | Qty | ADJUSTABLE SHELF | | |
|---|--------|--|----------------|---------------|--------|--------------------------------|--|--|
| | | *For Matching Interior Adjustable Shelf, refer to Parts Directory legend | | | | | | |
| | | Part Name | Part Name | Part Name | | *Part Name | | |
| VANITY LINEN WITH ADJUSTABLE SHELVES | | | | | | | | |
| VLC122184 AS | 1 1 | DR1230 DR1250 | DR1230 SD | DGI-1230 | 5 | S1221 | | |
| VLC152184 AS | 1 1 | DR1530 DR1550 | DR1530 SD | DGI-1530 | 5 | S1521 | | |
| VLC182184 AS | 1 1 | DR1830 DR1850 | DR1830 SD | DGI-1830 | 5 | S1821 | | |
| VLC242184 AS BUTT | 2 2 | DR1230 BUTT DR1250 BUTT | DR1230 BUTT SD | DGI-1230 BUTT | 5 | S2421 | | |
| VANITY LINEN WITH SLIDING SHELVES | | | | | | | | |
| VLC122184 4SSK | 1 1 | DR1230 DR1250 | DR1230 SD | DGI-1230 | 1 4 | S1221 SSK1221 | | |
| VLC152184 4SSK | 1 1 | DR1530 DR1550 | DR1530 SD | DGI-1530 | 1 4 | S1521 SSK1521 | | |
| VLC182184 4SSK | 1 1 | DR1830 DR1850 | DR1830 SD | DGI-1830 | 1 4 | S1821 SSK1821 | | |
| VLC242184 4SSK BUTT | 2 2 | DR1230 BUTT DR1250 BUTT | DR1230 BUTT SD | DGI-1230 BUTT | 1 4 | S2421 SSK2421 | | |
| MEDICINE CABINET | | | | | | | | |
| MC1530 | 1 | DR1530 | N/A | N/A | 2 | MC SHELF | | |
| MCM1530 | 1 | DRMCM1530 | N/A | N/A | 2 | MC SHELF | | |
| TRI-VIEW MIRROR | | | | | | | | |
| TV3030 | 3 | MIRROR TV3030 | N/A | N/A | 3 6 | TV30 SHELF 9 TV30 SHELF 18 | | |
| TV3630 | 3 | MIRROR TV3630 | N/A | N/A | 3 6 | TV36 SHELF 11 TV36 SHELF 22 | | |
| VALET CABINET | | | | | | | | |
| VC2436 BUTT | 2 | DR1224 BUTT | N/A | N/A | - | N/A | | |

| SKU | Qty | DOORS | |
|---|-----|-----------------|--|
| | | Partial Overlay | |
| | | Part Name | |
| VANITY FULL HEIGHT BASE - 34 1/2" HIGH | | | |
| VB1234H FH | 1 | DR1230 | |
| VB1534H FH | 1 | DR1530 | |
| VB1834H FH | 1 | DR1830 | |
| VB2434H BUTT FH | 2 | DR1230 BUTT | |
| VB3034H BUTT FH | 2 | DR1530 BUTT | |
| VB3634H BUTT FH | 2 | DR1830 BUTT | |

| SKU | Qty | DOOR | Qty | DRAWER FRONT/PANEL |
|---|--------|--------------------|--------|--------------------|
| | | Part Name | | Part Name |
| VANITY SINK BASE - 31 1/8" HIGH | | | | |
| VSB15 | 1 | DR1521V | 1 | DDF15 |
| VSB18 | 1 | DR1821V | 1 | DDF18 |
| VSB21 | 1 | DR2121V | 1 | DDF21 |
| VSB24 BUTT | 2 | DR1221V BUTT | 1 | DDF24 |
| VSB27 BUTT | 2 | DR1321V BUTT | 1 | DDF27 |
| VSB30 BUTT | 2 | DR1521V BUTT | 1 | DDF30 |
| VSB33 BUTT | 2 | DR1621V BUTT | 1 | DDF33 |
| VSB36 BUTT | 2 | DR1821V BUTT | 1 | DDF36 |
| VSB39 | 2 | DR1921V | 2 | DDF19 |
| VSB42 | 2 | DR2121V | 2 | DDF21 |
| VSB48 | 2 1 | DR1521V DR1821V | 2 1 | DDF15 DDF18 |
| VSB54 BUTT | 4 | DR1321V BUTT | 2 | DDF27 |
| VSB60 BUTT | 4 | DR1521V BUTT | 2 | DDF30 |
| VANITY SINK BASE - 18" DEEP X 31 1/8" HIGH | | | | |
| VSB2418 BUTT | 2 | DR1221V BUTT | 1 | DDF24 |
| VSB3018 BUTT | 2 | DR1521V BUTT | 1 | DDF30 |
| VSB3618 BUTT | 2 | DR1821V BUTT | 1 | DDF36 |
| VANITY SINK BASE - 34 1/2" HIGH | | | | |
| VSB1534H | 1 | DR1524 | 1 | DDF15 |
| VSB1834H | 1 | DR1824 | 1 | DDF18 |
| VSB2134H | 1 | DR2124 | 1 | DDF21 |
| VSB2434H BUTT | 2 | DR1224 BUTT | 1 | DDF24 |
| VSB2734H BUTT | 2 | DR1324 BUTT | 1 | DDF27 |
| VSB3034H BUTT | 2 | DR1524 BUTT | 1 | DDF30 |
| VSB3334H BUTT | 2 | DR1624 BUTT | 1 | DDF33 |
| VSB3634H BUTT | 2 | DR1824 BUTT | 1 | DDF36 |
| VSB3934H | 2 | DR1924 | 2 | DDF19 |
| VSB4234H | 2 | DR2124 | 2 | DDF21 |
| VSB4834H | 2 1 | DR1524 DR1824 | 2 1 | DDF15 DDF18 |
| VSB5434H BUTT | 4 | DR1324 BUTT | 2 | DDF27 |
| VSB6034H BUTT | 4 | DR1524 BUTT | 2 | DDF30 |
| VANITY SINK BASE - 18" DEEP X 34 1/2" HIGH | | | | |
| VSB243418H BUTT | 2 | DR1224 BUTT | 1 | DDF24 |
| VSB303418H BUTT | 2 | DR1524 BUTT | 1 | DDF30 |
| VSB363418H BUTT | 2 | DR1824 BUTT | 1 | DDF36 |
| VANITY SINK FRONT | | | | |
| VSF21 | 1 | DR2121V | 1 | DDF21 |
| VSF24 BUTT | 2 | DR1221V BUTT | 1 | DDF24 |
| VSF30 BUTT | 2 | DR1521V BUTT | 1 | DDF30 |
| VSF36 BUTT | 2 | DR1821V BUTT | 1 | DDF36 |
| VSF39 | 2 | DR1921V | 2 | DDF19 |
| VSF42 | 2 | DR2121V | 2 | DDF21 |
| VSF48 | 2 1 | DR1521V DR1821V | 2 1 | DDF15 DDF18 |

| SKU | Qty | DRAWER FRONT | | DRAWER BODY |
|--|--------|-----------------|-------------------------------------|-------------|
| | | Partial Overlay | | Part Name |
| | | Part Name | | |
| VANITY DRAWER BASE - 31 1/8" HIGH | | | | |
| VDB12 | 2 1 | DDF12 DDF12D | DRB12 X 18DP SG DRB12M X 18DP SG | |
| VDB15 | 2 1 | DDF15 DDF15D | DRB15 X 18DP SG DRB15M X 18DP SG | |
| VDB18 | 2 1 | DDF18 DDF18D | DRB18 X 18DP SG DRB18M X 18DP SG | |
| VDB21 | 2 1 | DDF21 DDF21D | DRB21 X 18DP SG DRB21M X 18DP SG | |
| VDB24 | 2 1 | DDF24 DDF24D | DRB24 X 18DP SG DRB24M X 18DP SG | |
| VANITY DRAWER BASE - 34 1/2" HIGH | | | | |
| VDB1234H | 1 2 | DDF12 DDF12D | DRB12 X 18DP SG DRB12M X 18DP SG | |
| VDB1534H | 1 2 | DDF15 DDF15D | DRB15 X 18DP SG DRB15M X 18DP SG | |
| VDB1834H | 1 2 | DDF18 DDF18D | DRB18 X 18DP SG DRB18M X 18DP SG | |
| VDB2134H | 1 2 | DDF21 DDF21D | DRB21 X 18DP SG DRB21M X 18DP SG | |
| VDB2434H | 1 2 | DDF24 DDF24D | DRB24 X 18DP SG DRB24M X 18DP SG | |

| SKU | Qty | DOOR | | SHELF | | DRAWER FRONT | | DRAWER BODY | |
|-----------------------------|-----|-------------|-----|--------------------|-----|--------------|-----------------|-------------|--|
| | | Part Name | Qty | Part Name | Qty | Part Name | Part Name | | |
| DESK DOOR - 21" DEEP | | | | | | | | | |
| DDO1221 | 1 | DR1218 | 1 | 12" SHELF 21DP 3/4 | 1 | DDF12 | DRB12 X 18DP SG | | |
| DDO1521 | 1 | DR1518 | 1 | 15" SHELF 21DP 3/4 | 1 | DDF15 | DRB15 X 18DP SG | | |
| DDO1821 | 1 | DR1818 | 1 | 18" SHELF 21DP 3/4 | 1 | DDF18 | DRB18 X 18DP SG | | |
| DDO2121 | 1 | DR2118 | 1 | 21" SHELF 21DP 3/4 | 1 | DDF21 | DRB21 X 18DP SG | | |
| DDO2421 BUTT | 2 | DR1218 BUTT | 1 | 24" SHELF 21DP 3/4 | 1 | DDF24 | DRB24 X 18DP SG | | |
| DESK DOOR - 24" DEEP | | | | | | | | | |
| DDO1224 | 1 | DR1218 | 1 | 12" SHELF 24DP 3/4 | 1 | DDF12 | DRB12 X 21DP SG | | |
| DDO1524 | 1 | DR1518 | 1 | 15" SHELF 24DP 3/4 | 1 | DDF15 | DRB15 X 21DP SG | | |
| DDO1824 | 1 | DR1818 | 1 | 18" SHELF 24DP 3/4 | 1 | DDF18 | DRB18 X 21DP SG | | |
| DDO2124 | 1 | DR2118 | 1 | 21" SHELF 24DP 3/4 | 1 | DDF21 | DRB21 X 21DP SG | | |
| DDO2424 BUTT | 2 | DR1218 BUTT | 1 | 24" SHELF 24DP 3/4 | 1 | DDF24 | DRB24 X 21DP SG | | |

| SKU | Qty | DRAWER FRONT | | DRAWER BODY |
|--|-----|-----------------|--|----------------------|
| | | Partial Overlay | | Part Name |
| | | Part Name | | |
| KNEEHOLE DRAWER CABINET | | | | |
| KDC27/21 | 1 | DDFKDC27/21 | | DRBKDC27X 15DP DT SG |
| KDC33/27 | 1 | DDFKDC33/27 | | DRBKDC33X 15DP DT SG |
| KDC36/33 | 1 | DDFKDC36/33 | | DRBKDC36X 15DP DT SG |
| DESK DRAWER BASE - 21" DEEP | | | | |
| DDR1221 | 2 | DDF12 | | DRB12 X 18DP SG |
| | 1 | DDF12D | | DRB12M X 18DP SG |
| DDR1521 | 2 | DDF15 | | DRB15 X 18DP SG |
| | 1 | DDF15D | | DRB15M X 18DP SG |
| DDR1821 | 2 | DDF18 | | DRB18 X 18DP SG |
| | 1 | DDF18D | | DRB18M X 18DP SG |
| DDR2121 | 2 | DDF21 | | DRB21 X 18DP SG |
| | 1 | DDF21D | | DRB21M X 18DP SG |
| DDR2421 | 2 | DDF24 | | DRB24 X 18DP SG |
| | 1 | DDF24D | | DRB24M X 18DP SG |
| DESK DRAWER BASE - 24" DEEP | | | | |
| DDR1224 | 2 | DDF12 | | DRB12 X 21DP SG |
| | 1 | DDF12D | | DRB12M X 21DP SG |
| DDR1524 | 2 | DDF15 | | DRB15 X 21DP SG |
| | 1 | DDF15D | | DRB15M X 21DP SG |
| DDR1824 | 2 | DDF18 | | DRB18 X 21DP SG |
| | 1 | DDF18D | | DRB18M X 21DP SG |
| DDR2124 | 2 | DDF21 | | DRB21 X 21DP SG |
| | 1 | DDF21D | | DRB21M X 21DP SG |
| DDR2424 | 2 | DDF24 | | DRB24 X 21DP SG |
| | 1 | DDF24D | | DRB24M X 21DP SG |
| DESK FILE PULL OUT CABINET | | | | |
| DFDC1821 | 1 | DDF18 | | DRB18 X 18DP DT FD |
| | 1 | DR1818 | | DFDC FILE UNIT 21 |
| DFDC1824 | 1 | DDF18 | | DRB18 X 21DP DT FD |
| | 1 | DR1818 | | DFDC FILE UNIT 24 |
| FULL-HEIGHT DESK WITH BOTTOM MOUNT WASTEBASKET(S) | | | | |
| DWBB1824 | 1 | DR1824 ND | | DWBB1824 SOL KIT |

DOORS

Specialty Doors, Solid Doors & ND Doors
are the same dimension

| Part Name | Partial Overlay |
|------------------|---------------------|
| 50" High | |
| DR1250 | 9 7/8" x 47 3/4" |
| DR1250 BUTT | 10 15/16" x 47 3/4" |
| DR1350 BUTT | 12 7/16" x 47 3/4" |
| DR1550 | 12 7/8" x 47 3/4" |
| DR1550 BUTT | 13 15/16" x 47 3/4" |
| DR1650 BUTT | 15 7/16" x 47 3/4" |
| DR1850 | 15 7/8" x 47 3/4" |
| DR1850 BUTT | 16 15/16" x 47 3/4" |
| DR2150 | 18 7/8" x 47 3/4" |
| 42" High | |
| DR942 | 6 7/8" x 40" |
| DR1242 | 9 7/8" x 40" |
| DR1242 BUTT | 10 15/16" x 40" |
| DR1242 WER DRILL | 10" x 40" |
| DR1242 WER ND | 10" x 40" |
| DR1342 BUTT | 12 7/16" x 40" |
| DR1542 | 12 7/8" x 40" |
| DR1542 BUTT | 13 15/16" x 40" |
| DR1642 BUTT | 15 7/16" x 40" |
| DR1842 | 15 7/8" x 40" |
| DR1842 BUTT | 16 15/16" x 40" |
| DR1942 | 17 3/8" x 40" |
| DR2142 | 18 7/8" x 40" |
| 36" High | |
| DR936 | 6 7/8" x 34" |
| DR1236 | 9 7/8" x 34" |
| DR1236 BUTT | 10 15/16" x 34" |
| DR1236 WER DRILL | 10" x 34" |
| DR1236 WER ND | 10" x 34" |
| DR1336 BUTT | 12 7/16" x 34" |
| DR1536 | 12 7/8" x 34" |
| DR1536 BUTT | 13 15/16" x 34" |
| DR1636 BUTT | 15 7/16" x 34" |
| DR1836 | 15 7/8" x 34" |
| DR1836 BUTT | 16 15/16" x 34" |
| DR1936 | 17 3/8" x 34" |
| DR2136 | 18 7/8" x 34" |

DOORS

Specialty Doors, Solid Doors & ND Doors
are the same dimension

| Part Name | Partial Overlay |
|------------------|---------------------|
| 30" High | |
| DR930 | 6 7/8" x 28" |
| DR930 BER DRILL | 7" x 28" |
| DR930 BER ND | 7" x 28" |
| DR1230 | 9 7/8" x 28" |
| DR1230 BUTT | 10 15/16" x 28" |
| DR1230 BER DRILL | 10" x 28" |
| DR1230 BER ND | 10" x 28" |
| DR1230 WER DRILL | 10" x 28" |
| DR1230 WER ND | 10" x 28" |
| DR1330 BUTT | 12 7/16" x 28" |
| DR1530 | 12 7/8" x 28" |
| DR1530 BUTT | 13 15/16" x 28" |
| DR1630 BUTT | 15 7/16" x 28" |
| DR1830 | 15 7/8" x 28" |
| DR1830 BUTT | 16 15/16" x 28" |
| DR1930 | 17 3/8" x 28" |
| DR2130 | 18 7/8" x 28" |
| DR2430 | 21 7/8" x 28" |
| 27" High | |
| DR1327 BUTT | 12 7/16" x 25" |
| DR1527 BUTT | 13 15/16" x 25" |
| DR1627 BUTT | 15 7/16" x 25" |
| 24" High | |
| DR1224 | 9 7/8" x 22 3/8" |
| DR1224 BUTT | 10 15/16" x 22 3/8" |
| DR1324 BUTT | 12 7/16" x 22 3/8" |
| DR1524 | 12 7/8" x 22 3/8" |
| DR1524 BUTT | 13 15/16" x 22 3/8" |
| DR1624 BUTT | 15 7/16" x 22 3/8" |
| DR1824 | 15 7/8" x 22 3/8" |
| DR1824 BUTT | 16 15/16" x 22 3/8" |
| DR18.524 BUTT | 17 7/16" x 22 3/8" |
| DR1924 | 17 3/8" x 22 3/8" |
| DR2124 | 18 7/8" x 22 3/8" |
| DR2424 | 21 7/8" x 22 3/8" |
| 21" High | |
| DR1221V | 9 7/8" x 18 1/2" |
| DR1221V BUTT | 10 15/16" x 18 1/2" |
| DR1321V BUTT | 12 7/16" x 18 1/2" |
| DR1521 BUTT | 13 15/16" x 18 1/2" |
| DR1521V | 12 7/8" x 18 1/2" |
| DR1521V BUTT | 13 15/16" x 18 1/2" |
| DR1621 BUTT | 15 7/16" x 18 1/2" |
| DR1621V BUTT | 15 7/16" x 18 1/2" |
| DR1821 BUTT | 16 15/16" x 18 1/2" |
| DR1821V | 15 7/8" x 18 1/2" |
| DR1821V BUTT | 16 15/16" x 18 1/2" |
| DR18.521 BUTT | 17 7/16" x 18 1/2" |
| DR1921 | 17 3/8" x 18 1/2" |
| DR1921V | 17 3/8" x 18 1/2" |
| DR2121V | 18 7/8" x 18 1/2" |

| DOORS | |
|--|---------------------|
| Specialty Doors, Solid Doors & ND Doors are the same dimension | |
| Part Name | Partial Overlay |
| 18" High | |
| DR1218 | 9 7/8" x 16" |
| DR1218 BUTT | 10 15/16" x 16" |
| DR1318 BUTT | 12 7/16" x 16" |
| DR1518 | 12 7/8" x 16" |
| DR1518 BUTT | 13 15/16" x 16" |
| DR1618 BUTT | 15 7/16" x 16" |
| DR1818 | 15 7/8" x 16" |
| DR1818 BUTT | 16 15/16" x 16" |
| DR18.518 BUTT | 17 7/16" x 16" |
| DR1918 | 17 3/8" x 16" |
| DR2118 | 18 7/8" x 16" |
| DR3018 WTH | 28" x 15 7/8" |
| DR3618 WTH | 34" x 15 7/8" |
| 15" High | |
| DR1215 | 9 7/8" x 13" |
| DR1215 BUTT | 10 15/16" x 13" |
| DR1315 BUTT | 12 7/16" x 13" |
| DR1515 | 12 7/8" x 13" |
| DR1515 BUTT | 13 15/16" x 13" |
| DR1615 BUTT | 15 7/16" x 13" |
| DR1815 | 15 7/8" x 13" |
| DR1815 BUTT | 16 15/16" x 13" |
| DR18.515 BUTT | 17 7/16" x 13" |
| DR1915 | 17 3/8" x 13" |
| DR2115 | 18 7/8" x 13" |
| DR3015 WTH | 28" x 12 7/8" |
| DR3615 WTH | 34" x 12 7/8" |
| 12" High | |
| DR1212 | 9 7/8" x 10" |
| DR1212 BUTT | 10 15/16" x 10" |
| DR1312 BUTT | 12 7/16" x 10" |
| DR1512 | 12 7/8" x 10" |
| DR1512 BUTT | 13 15/16" x 10" |
| DR1612 BUTT | 15 7/16" x 10" |
| DR1812 | 15 7/8" x 10" |
| DR1812 BUTT | 16 15/16" x 10" |
| DR18.512 BUTT | 17 7/16" x 10" |
| DR1912 | 17 3/8" x 10" |
| DR2112 | 18 7/8" x 10" |
| DR4212 WTH | 40" x 9 7/8" |
| DR4212 WTH | 40" x 9 7/8" |
| Miscellaneous Doors | |
| DRMCM1530 | 12 7/8" x 28" |
| MIRROR TV3030 | 8 13/16" x 26 1/2" |
| MIRROR TV3630 | 10 13/16" x 26 1/2" |

| DOORS | |
|--|---------------------------------------|
| Specialty Doors, Solid Doors & ND Doors are the same dimension | |
| Part Name | Partial Overlay |
| Decorator Doors | |
| DMDB | 21 7/8" x 28" |
| DMDBEA12 | 9 7/8" x 28" |
| DMDD21 | 18 7/8" x 22 3/8" |
| DMDD24 | 21 7/8" x 22 3/8" |
| DMDW18 | 9 7/8" x 16" |
| DMDW24 | 9 7/8" x 22 3/8" |
| DMDW30 | 9 7/8" x 28" |
| DMDW36 | 9 7/8" x 34" |
| DMDW42 | 9 7/8" x 40" |
| DMDV | 18 7/8" x 17 7/8" 18 7/8" x 5 1/8" |
| DMDT8412 | 9 7/8" x 28" 9 7/8" x 47 3/4" |
| DMDT8424 | 9 7/8" x 28" 9 7/8" x 47 3/4" |
| DMDT9012 | 9 7/8" x 34" 9 7/8" x 47 3/4" |
| DMDT9024 | 9 7/8" x 34" 9 7/8" x 47 3/4" |
| DMDT9612 | 9 7/8" x 40" 9 7/8" x 47 3/4" |
| DMDT9624 | 9 7/8" x 40" 9 7/8" x 47 3/4" |

SHELVES

| Part Name | Dimensions |
|------------------------------|----------------------------|
| 3/4" Shelves | |
| 9" SHELF 3/4 | 7 1/4" x 10 1/4" x 3/4" |
| 12" SHELF 3/4 | 10 1/4" x 10 1/4" x 3/4" |
| 15" SHELF 3/4 | 13 1/4" x 10 1/4" x 3/4" |
| 18" SHELF 3/4 | 16 1/4" x 10 1/4" x 3/4" |
| 21" SHELF 3/4 | 19 1/4" x 10 1/4" x 3/4" |
| 24" SHELF 3/4 | 22 1/4" x 10 1/4" x 3/4" |
| 27" SHELF 3/4 | 25 1/4" x 10 1/4" x 3/4" |
| 30" SHELF 3/4 | 28 1/4" x 10 1/4" x 3/4" |
| 33" SHELF 3/4 | 31 1/4" x 10 1/4" x 3/4" |
| 36" SHELF 3/4 | 34 1/4" x 10 1/4" x 3/4" |
| 39" SHELF 3/4 | 37 1/4" x 10 1/4" x 3/4" |
| 42" SHELF 3/4 | 40 1/4" x 10 1/4" x 3/4" |
| 45" SHELF 3/4 | 43 1/4" x 10 1/4" x 3/4" |
| 48" SHELF 3/4 | 46 1/4" x 10 1/4" x 3/4" |
| 12" SHELF PB 3/4 | 10 3/16" x 22 1/8" x 3/4" |
| 18" SHELF PB 3/4 | 16 3/16" x 22 1/8" x 3/4" |
| 24" SHELF PB 3/4 | 22 3/16" x 22 1/8" x 3/4" |
| 24" SHELF PB 3/4 | 22 3/16" x 22 1/8" x 3/4" |
| 30" SHELF PB 3/4 | 28 3/16" x 22 1/8" x 3/4" |
| 36" SHELF PB 3/4 | 34 3/16" x 22 1/8" x 3/4" |
| 42" SHELF PB 3/4 | 40 3/16" x 22 1/8" x 3/4" |
| S1212 | 10 1/4" x 10 1/4" x 3/4" |
| S1512 | 13 1/4" x 10 1/4" x 3/4" |
| S1812 | 16 1/4" x 10 1/4" x 3/4" |
| S2112 | 19 1/4" x 10 1/4" x 3/4" |
| S2412 | 22 1/4" x 10 1/4" x 3/4" |
| S3612 | 34 1/4" x 10 1/4" x 3/4" |
| S1221 | 10 3/16" x 18 7/8" x 3/4" |
| S1521 | 13 3/16" x 18 7/8" x 3/4" |
| S1821 | 16 3/16" x 18 7/8" x 3/4" |
| S2421 | 22 3/16" x 18 7/8" x 3/4" |
| S924 | 7 3/16" x 22 1/8" x 3/4" |
| S1224 | 10 3/16" x 22 1/8" x 3/4" |
| S1524 | 13 3/16" x 22 1/8" x 3/4" |
| S1824 | 16 3/16" x 22 1/8" x 3/4" |
| S2124 | 19 3/16" x 22 1/8" x 3/4" |
| S2424 | 22 3/16" x 22 1/8" x 3/4" |
| S2724 | 25 3/16" x 22 1/8" x 3/4" |
| S3024 | 28 3/16" x 22 1/8" x 3/4" |
| S3324 | 31 3/16" x 22 1/8" x 3/4" |
| S3624 | 34 3/16" x 22 1/8" x 3/4" |
| Miscellaneous Shelves | |
| BS18 SHELF _PK | 16 1/4" x 10 1/4" x 23/32" |
| BS24 SHELF _PK | 22 1/4" x 10 1/4" x 23/32" |
| BS30 SHELF _PK | 28 1/4" x 10 1/4" x 23/32" |
| BS36 SHELF _PK | 34 1/4" x 10 1/4" x 23/32" |
| TV30 SHELF 9 | 8 7/8" x 3" x 1/2" |
| TV30 SHELF 18 | 17 9/32" x 3" x 1/2" |
| TV36 SHELF 11 | 10 7/8" x 3" x 1/2" |
| TV36 SHELF 22 | 21 9/32" x 3" x 1/2" |
| WMSC2718 TOP SHELF | 25 1/4" x 16 1/4" x 3/4" |

SLIDING ACCESSORIES

| Part Name | Dimensions |
|------------------------|-------------------------|
| Sliding Shelves | |
| SSK12 | 8 1/2" x 21 3/16" x 2" |
| SSK15 | 11 1/2" x 21 3/16" x 2" |
| SSK18 | 14 1/2" x 21 3/16" x 2" |
| SSK19 | 16" x 21 3/16" x 2" |
| SSK21 | 17 1/2" x 21 3/16" x 2" |
| SSK24 | 20 1/2" x 21 3/16" x 2" |
| SSK27 | 23 1/2" x 21 3/16" x 2" |
| SSK30 | 26 1/2" x 21 3/16" x 2" |
| SSK33 | 29 1/2" x 21 3/16" x 2" |
| SSK36 | 32 1/2" x 21 3/16" x 2" |
| SSK1221 | 8 1/2" x 18 3/16" x 2" |
| SSK1521 | 11 1/2" x 18 3/16" x 2" |
| SSK1821 | 14 1/2" x 18 3/16" x 2" |
| SSK2421 | 20 1/2" x 18 3/16" x 2" |

DRAWER FRONTS

| Part Name | Partial Overlay |
|-----------------------------------|--------------------------|
| Standard Drawer Front | |
| DDF12 | 9 7/8" x 5 1/8" |
| DDF15 | 12 7/8" x 5 1/8" |
| DDF18 | 15 7/8" x 5 1/8" |
| DDF19 | 17 3/8" x 5 1/8" |
| DDF21 | 18 7/8" x 5 1/8" |
| DDF24 | 21 7/8" x 5 1/8" |
| DDF27 | 24 7/8" x 5 1/8" |
| DDF30 | 27 7/8" x 5 1/8" |
| DDF33 | 30 7/8" x 5 1/8" |
| DDF36 | 33 7/8" x 5 1/8" |
| DDF18 DRILL | 15 7/8" x 5 1/8" |
| DDF19 DRILL | 17 3/8" x 5 1/8" |
| DDF21 DRILL | 18 7/8" x 5 1/8" |
| DDF24 DRILL | 21 7/8" x 5 1/8" |
| DDF27 DRILL | 24 7/8" x 5 1/8" |
| DDF30 DRILL | 27 7/8" x 5 1/8" |
| DDF33 DRILL | 30 7/8" x 5 1/8" |
| DDF36 DRILL | 33 7/8" x 5 1/8" |
| Large Drawer Front | |
| DDF12D | 9 7/8" x 10 13/16" |
| DDF15D | 12 7/8" x 10 13/16" |
| DDF18D | 15 7/8" x 10 13/16" |
| DDF21D | 18 7/8" x 10 13/16" |
| DDF24D | 21 7/8" x 10 13/16" |
| DDF27D | 24 7/8" x 10 13/16" |
| DDF30D | 27 7/8" x 10 13/16" |
| DDF33D | 30 7/8" x 10 13/16" |
| DDF36D | 33 7/8" x 10 13/16" |
| Miscellaneous Drawer Front | |
| DDFKDC27/21 | 18 7/8" x 3 3/4" |
| DDFKDC33/27 | 24 7/8" x 3 3/4" |
| DDFKDC36/33 | 30 7/8" x 3 3/4" |
| DDF SDC | 5 11/16" x 5 1/2" x 1/2" |

| DRAWER BODIES | |
|------------------------------------|-------------------------|
| Part Name | Dimensions |
| Standard "SG" Drawer Bodies | |
| 21" Deep | |
| DRB12 X 21DP SG | 8 1/16" x 3 1/2" x 21" |
| DRB15 X 21DP SG | 11 1/16" x 3 1/2" x 21" |
| DRB18 X 21DP SG | 14 1/16" x 3 1/2" x 21" |
| DRB19 X 21DP SG | 15 9/16" x 3 1/2" x 21" |
| DRB21 X 21DP SG | 17 1/16" x 3 1/2" x 21" |
| DRB24 X 21DP SG | 20 1/16" x 3 1/2" x 21" |
| DRB27 X 21DP SG | 23 1/16" x 3 1/2" x 21" |
| DRB30 X 21DP SG | 26 1/16" x 3 1/2" x 21" |
| DRB33 X 21DP SG | 29 1/16" x 3 1/2" x 21" |
| DRB36 X 21DP SG | 32 1/16" x 3 1/2" x 21" |
| 18" Deep | |
| DRB12 X 18DP SG | 8 1/16" x 3 1/2" x 18" |
| DRB15 X 18DP SG | 11 1/16" x 3 1/2" x 18" |
| DRB18 X 18DP SG | 14 1/16" x 3 1/2" x 18" |
| DRB19 X 18DP SG | 15 9/16" x 3 1/2" x 18" |
| DRB21 X 18DP SG | 17 1/16" x 3 1/2" x 18" |
| DRB24 X 18DP SG | 20 1/16" x 3 1/2" x 18" |
| DRB27 X 18DP SG | 23 1/16" x 3 1/2" x 18" |
| DRB30 X 18DP SG | 26 1/16" x 3 1/2" x 18" |
| DRB33 X 18DP SG | 29 1/16" x 3 1/2" x 18" |
| DRB36 X 18DP SG | 32 1/16" x 3 1/2" x 18" |
| 15" Deep | |
| DRB12 X 15DP SG | 8 1/16" x 3 1/2" x 15" |
| DRB15 X 15DP SG | 11 1/16" x 3 1/2" x 15" |
| DRB18 X 15DP SG | 14 1/16" x 3 1/2" x 15" |
| DRB19 X 15DP SG | 15 9/16" x 3 1/2" x 15" |
| DRB21 X 15DP SG | 17 1/16" x 3 1/2" x 15" |
| DRB24 X 15DP SG | 20 1/16" x 3 1/2" x 15" |
| DRB27 X 15DP SG | 23 1/16" x 3 1/2" x 15" |
| DRB30 X 15DP SG | 26 1/16" x 3 1/2" x 15" |
| DRB33 X 15DP SG | 29 1/16" x 3 1/2" x 15" |
| DRB36 X 15DP SG | 32 1/16" x 3 1/2" x 15" |
| 12" Deep | |
| DRB12 X 12DP SG | 8 1/16" x 3 1/2" x 12" |
| DRB15 X 12DP SG | 11 1/16" x 3 1/2" x 12" |
| DRB18 X 12DP SG | 14 1/16" x 3 1/2" x 12" |
| DRB19 X 12DP SG | 15 9/16" x 3 1/2" x 12" |
| DRB21 X 12DP SG | 17 1/16" x 3 1/2" x 12" |
| DRB24 X 12DP SG | 20 1/16" x 3 1/2" x 12" |
| DRB27 X 12DP SG | 23 1/16" x 3 1/2" x 12" |
| DRB30 X 12DP SG | 26 1/16" x 3 1/2" x 12" |
| DRB33 X 12DP SG | 29 1/16" x 3 1/2" x 12" |
| DRB36 X 12DP SG | 32 1/16" x 3 1/2" x 12" |
| 9" Deep | |
| DRB12 X 9DP SG | 8 1/16" x 3 1/2" x 9" |
| DRB15 X 9DP SG | 11 1/16" x 3 1/2" x 9" |
| DRB18 X 9DP SG | 14 1/16" x 3 1/2" x 9" |
| DRB19 X 9DP SG | 15 9/16" x 3 1/2" x 9" |
| DRB21 X 9DP SG | 17 1/16" x 3 1/2" x 9" |
| DRB24 X 9DP SG | 20 1/16" x 3 1/2" x 9" |
| DRB27 X 9DP SG | 23 1/16" x 3 1/2" x 9" |
| DRB30 X 9DP SG | 26 1/16" x 3 1/2" x 9" |
| DRB33 X 9DP SG | 29 1/16" x 3 1/2" x 9" |
| DRB36 X 9DP SG | 32 1/16" x 3 1/2" x 9" |

| DRAWER BODIES | |
|---------------------------------|--------------------------|
| Part Name | Dimensions |
| Large "SG" Drawer Bodies | |
| 21" Deep | |
| DRB12M X 21DP SG | 7 23/32" x 7 3/4" x 21" |
| DRB15M X 21DP SG | 10 23/32" x 7 3/4" x 21" |
| DRB18M X 21DP SG | 13 23/32" x 7 3/4" x 21" |
| DRB21M X 21DP SG | 16 23/32" x 7 3/4" x 21" |
| DRB24M X 21DP SG | 19 23/32" x 7 3/4" x 21" |
| DRB27M X 21DP SG | 22 23/32" x 7 3/4" x 21" |
| DRB30M X 21DP SG | 25 23/32" x 7 3/4" x 21" |
| DRB33M X 21DP SG | 28 23/32" x 7 3/4" x 21" |
| DRB36M X 21DP SG | 31 23/32" x 7 3/4" x 21" |
| 18" Deep | |
| DRB12M X 18DP SG | 7 23/32" x 7 3/4" x 18" |
| DRB15M X 18DP SG | 10 23/32" x 7 3/4" x 18" |
| DRB18M X 18DP SG | 13 23/32" x 7 3/4" x 18" |
| DRB21M X 18DP SG | 16 23/32" x 7 3/4" x 18" |
| DRB24M X 18DP SG | 19 23/32" x 7 3/4" x 18" |
| DRB27M X 18DP SG | 22 23/32" x 7 3/4" x 18" |
| DRB30M X 18DP SG | 25 23/32" x 7 3/4" x 18" |
| DRB33M X 18DP SG | 28 23/32" x 7 3/4" x 18" |
| DRB36M X 18DP SG | 31 23/32" x 7 3/4" x 18" |
| 15" Deep | |
| DRB12M X 15DP SG | 7 23/32" x 7 3/4" x 15" |
| DRB15M X 15DP SG | 10 23/32" x 7 3/4" x 15" |
| DRB18M X 15DP SG | 13 23/32" x 7 3/4" x 15" |
| DRB21M X 15DP SG | 16 23/32" x 7 3/4" x 15" |
| DRB24M X 15DP SG | 19 23/32" x 7 3/4" x 15" |
| DRB27M X 15DP SG | 22 23/32" x 7 3/4" x 15" |
| DRB30M X 15DP SG | 25 23/32" x 7 3/4" x 15" |
| DRB33M X 15DP SG | 28 23/32" x 7 3/4" x 15" |
| DRB36M X 15DP SG | 31 23/32" x 7 3/4" x 15" |
| 12" Deep | |
| DRB12M X 12DP SG | 7 23/32" x 7 3/4" x 12" |
| DRB15M X 12DP SG | 10 23/32" x 7 3/4" x 12" |
| DRB18M X 12DP SG | 13 23/32" x 7 3/4" x 12" |
| DRB21M X 12DP SG | 16 23/32" x 7 3/4" x 12" |
| DRB24M X 12DP SG | 19 23/32" x 7 3/4" x 12" |
| DRB27M X 12DP SG | 22 23/32" x 7 3/4" x 12" |
| DRB30M X 12DP SG | 25 23/32" x 7 3/4" x 12" |
| DRB33M X 12DP SG | 28 23/32" x 7 3/4" x 12" |
| DRB36M X 12DP SG | 31 23/32" x 7 3/4" x 12" |
| 9" Deep | |
| DRB12M X 9DP SG | 7 23/32" x 7 3/4" x 9" |
| DRB15M X 9DP SG | 10 23/32" x 7 3/4" x 9" |
| DRB18M X 9DP SG | 13 23/32" x 7 3/4" x 9" |
| DRB21M X 9DP SG | 16 23/32" x 7 3/4" x 9" |
| DRB24M X 9DP SG | 19 23/32" x 7 3/4" x 9" |
| DRB27M X 9DP SG | 22 23/32" x 7 3/4" x 9" |
| DRB30M X 9DP SG | 25 23/32" x 7 3/4" x 9" |
| DRB33M X 9DP SG | 28 23/32" x 7 3/4" x 9" |

| DRAWER BODIES | |
|------------------------|-------------------------------|
| Part Name | Dimensions |
| Kneehole Drawer | |
| DRBKDC27X 15DP DT FD | 16 23/32" x 2 11/32" x 15" |
| DRBKDC33X 15DP DT FD | 22 23/32" x 2 11/32" x 15" |
| DRBKDC36X 15DP DT FD | 28 23/32" x 2 11/32" x 15" |
| Miscellaneous | |
| DRB6 BSDC6 | 4 29/32" x 22 15/16" x 4 3/4" |
| DRB6 SDC30 | 4 29/32" x 10 15/16" x 4 3/4" |
| DRB6 SDC30 | 4 29/32" x 10 15/16" x 4 3/4" |
| DRB6 SDC30 | 4 29/32" x 10 15/16" x 4 3/4" |
| DRB6 SDC30 | 4 29/32" x 10 15/16" x 4 3/4" |

GLASS INSERTS

| SKU | P5 |
|-----------------|-------------------|
| 12" WIDE | |
| DGI-1212 | 6 5/16" x 6 3/8" |
| DGI-1212 BUTT | 7 3/8" x 6 3/8" |
| DGI-1215 | 6 5/16" x 9 3/8" |
| DGI-1215 BUTT | 7 3/8" x 9 3/8" |
| DGI-1218 | 6 5/16" x 12 3/8" |
| DGI-1218 BUTT | 7 3/8" x 12 3/8" |
| DGI-1224 | 6 5/16" x 18 3/4" |
| DGI-1224 BUTT | 7 3/8" x 18 3/4" |
| DGI-1230 | 6 5/16" x 24 3/8" |
| DGI-1230 BUTT | 7 3/8" x 24 3/8" |
| DGI-1236 | 6 5/16" x 30 3/8" |
| DGI-1236 BUTT | 7 3/8" x 30 3/8" |
| DGI-1242 | 6 5/16" x 36 3/8" |
| DGI-1242 BUTT | 7 3/8" x 36 3/8" |
| 13" WIDE | |
| DGI-1312 BUTT | 8 7/8" x 6 3/8" |
| DGI-1315 BUTT | 8 7/8" x 9 3/8" |
| DGI-1318 BUTT | 8 7/8" x 12 3/8" |
| DGI-1324 BUTT | 8 7/8" x 18 3/4" |
| DGI-1330 BUTT | 8 7/8" x 24 3/8" |
| DGI-1336 BUTT | 8 7/8" x 30 3/8" |
| DGI-1342 BUTT | 8 7/8" x 36 3/8" |
| 15" WIDE | |
| DGI-1512 | 9 5/16" x 6 3/8" |
| DGI-1512 BUTT | 10 3/8" x 6 3/8" |
| DGI-1515 | 9 5/16" x 9 3/8" |
| DGI-1515 BUTT | 10 3/8" x 9 3/8" |
| DGI-1518 | 9 5/16" x 12 3/8" |
| DGI-1518 BUTT | 10 3/8" x 12 3/8" |
| DGI-1524 | 9 5/16" x 18 3/4" |
| DGI-1524 BUTT | 10 3/8" x 18 3/4" |
| DGI-1527 BUTT | 10 3/8" x 21 3/8" |
| DGI-1530 | 9 5/16" x 24 3/8" |
| DGI-1530 BUTT | 10 3/8" x 24 3/8" |
| DGI-1536 | 9 5/16" x 30 3/8" |
| DGI-1536 BUTT | 10 3/8" x 30 3/8" |
| DGI-1542 | 9 5/16" x 36 3/8" |
| DGI-1542 BUTT | 10 3/8" x 36 3/8" |
| 16" WIDE | |
| DGI-1615 BUTT | 11 7/8" x 9 3/8" |
| DGI-1618 BUTT | 11 7/8" x 12 3/8" |
| DGI-1624 BUTT | 11 7/8" x 18 3/4" |
| DGI-1630 BUTT | 11 7/8" x 24 3/8" |
| DGI-1636 BUTT | 11 7/8" x 30 3/8" |
| DGI-1642 BUTT | 11 7/8" x 36 3/8" |

GLASS INSERTS

| SKU | P5 |
|---------------------|---------------------|
| 18" WIDE | |
| DGI-1812 | 12 5/16" x 6 3/8" |
| DGI-1812 BUTT | 13 3/8" x 6 3/8" |
| DGI-1815 | 12 5/16" x 9 3/8" |
| DGI-1815 BUTT | 13 3/8" x 9 3/8" |
| DGI-1818 | 12 5/16" x 12 3/8" |
| DGI-1818 BUTT | 13 3/8" x 12 3/8" |
| DGI-1824 | 12 5/16" x 18 3/4" |
| DGI-1824 BUTT | 13 3/8" x 18 3/4" |
| DGI-1830 | 12 5/16" x 24 3/8" |
| DGI-1830 BUTT | 13 3/8" x 24 3/8" |
| DGI-1836 | 12 5/16" x 30 3/8" |
| DGI-1836 BUTT | 13 3/8" x 30 3/8" |
| DGI-1842 | 12 5/16" x 36 3/8" |
| DGI-1842 BUTT | 13 3/8" x 36 3/8" |
| 18 1/2" WIDE | |
| DGI-18.512 BUTT | 13 13/16" x 6 3/8" |
| DGI-18.515 BUTT | 13 13/16" x 9 3/8" |
| DGI-18.518 BUTT | 13 13/16" x 12 3/8" |
| DGI-18.524 BUTT | 13 13/16" x 18 3/4" |
| 19" WIDE | |
| DGI-1912 | 13 13/16" x 6 3/8" |
| DGI-1915 | 13 13/16" x 9 3/8" |
| DGI-1918 | 13 13/16" x 12 3/8" |
| DGI-1924 | 13 13/16" x 18 3/4" |
| DGI-1930 | 13 13/16" x 24 3/8" |
| DGI-1936 | 13 13/16" x 30 3/8" |
| DGI-1942 | 13 13/16" x 36 3/8" |
| 21" WIDE | |
| DGI-2112 | 15 5/16" x 6 3/8" |
| DGI-2115 | 15 5/16" x 9 3/8" |
| DGI-2118 | 15 5/16" x 12 3/8" |
| DGI-2124 | 15 5/16" x 18 3/4" |
| DGI-2130 | 15 5/16" x 24 3/8" |
| DGI-2136 | 15 5/16" x 30 3/8" |
| DGI-2142 | 15 5/16" x 36 3/8" |

MISCELLANEOUS PARTS & ACCESSORIES

HINGES

| Part Name | Description |
|----------------------|---|
| HINGE 170 FRAMED | Door-to-frame hinge for BER, BSS, CAR or WER cabinet |
| HINGE ER | Hinge for BER, BSS, CAR or WER24 cabinet |
| HINGE KIT TRI-VIEW | Hinge Kit for Tri-View Mirror (3 Pulls & 3 Hinges) |
| HINGE TILT OUT 45 | Hinge for Factory Installed Tilt-Out Tray |
| HINGE SOL 6WY 45 | 6-Way Adjustable Partial Overlay (POL) door hinge |
| HINGE FACEMOUNT 45 | Hinge for facemount oven applications |
| HINGE CCFACEMOUNT 45 | Hinge with CushionClose for facemount oven applications |
| HINGE SOL CC6WAY 45 | Hinge with 6-Way Adjustment and CushionClose for Barren and Carson door styles |
| HINGE SPACER SHIM | Spaces Shim installed between the Hinge and Face Frame, adds inward left/right adjustment (for use on all hinges as needed) |

GLIDES/TRACKS/CHANNELS FOR 24" DEEP BASE/DESK OR SLIDING SHELF

| Part Name | Description |
|----------------|---|
| CHANNEL 21L | Left channel for 24" deep base/desk drawer and sliding shelf |
| CHANNEL 21R | Right channel for 24" deep base/desk drawer and sliding shelf |
| CHANNEL SS1 L | Left channel for Sliding Shelf |
| CHANNEL SS1R | Right channel for Sliding Shelf |
| GLIDE WB FAL24 | Left Full-Access Glide for Wastebasket cabinets |
| GLIDE WB FAR24 | Right Full-Access Glide for Wastebasket cabinets |
| TRACK GA 21L | Left track for 24" deep base/desk drawer and sliding shelf |
| TRACK GA 21R | Right track for 24" deep base/desk drawer and sliding shelf |

GLIDES/TRACKS/CHANNELS FOR 21" DEEP VANITY/DESK

| Part Name | Description |
|-------------|--|
| CHANNEL V L | Left channel for 21" deep Vanity/Desk |
| CHANNEL V R | Right channel for 21" deep Vanity/Desk |
| TRACK V L | Left track for 21" deep Vanity/Desk |
| TRACK V R | Right track for 21" deep Vanity/Desk |

TRACKS/CHANNELS FOR 18" DEEP VANITY OR KNEEHOLE DRAWER CABINET

| Part Name | Description |
|---------------|--|
| CHANNEL V 18L | Left channel for 18" deep Vanity or for Kneehole Drawer Cabinet |
| CHANNEL V 18R | Right channel for 18" deep Vanity or for Kneehole Drawer Cabinet |
| TRACK GA 16L | Left track for 18" deep Vanity or for Kneehole Drawer Cabinet |
| TRACK GA 16R | Right track for 18" deep Vanity or for Kneehole Drawer Cabinet |

WHITE PLASTIC SPIN SHELVES AND PARTS

| Part Name | Description |
|----------------------|---|
| BSSCAR HUB RAS | With rollers, fits into shelf for pole attachment |
| BSSCWSCAR BRKT RAS | Top and bottom mounting brackets |
| BSSCWSCAR COLLAR ASM | Locking adjustable shelf collar for top shelf |
| BSSCWSCAR T-SHAFT RA | Metal post on which shelves spin (1 required) |
| BSS33 SHELF RAS | White spin shelf for BSS33/BSS3336/BSS3633 (2 required) |
| BSS36 SHELF RAS | White spin shelf for BSS36 (2 required) |
| BSS33 UNIT RAS | Complete spin unit for BSS33 |
| BSS36 UNIT RAS | Complete spin unit for BSS36 |
| CAR SHELF RAS | White spin shelf for CAR36 (2 required) |
| CAR36 UNIT RAS | Complete spin unit for CAR36 |
| CBS SHELF RAS | White spin shelf for CBS36 (2 required) |
| CWS HUB RAS | With rollers, fits into shelf for pole attachment |
| CWS SHELF RAS | White spin shelf for CWS2430 (2 required) |
| CWS UNIT RAS | Complete plastic spin unit for CWS2430 |

CLIPS / BRACKETS

| Part Name | Description |
|----------------------|---|
| BRACKET CHAN B | Back bracket for side-mounted channels |
| BRACKET GLIDE WB BOT | Bottom bracket for Wastebasket cabinets |
| BRACKET GL B DROTUNI | Back bracket for all OVD cabinets and KDC cabinets |
| BRACKET RED DP REAR | Back bracket for reduced depth Side-Mounted Glide |
| CLIP DDF | Drawer front clip |
| CLIP MIRROR MCM FOL | Clip for MCM1530 Full Overlay Mirror door |
| CLIP MIRROR MCM SOL | Clip for MCM1530 Partial Overlay Mirror door |
| CLIP MIRROR TRIVIEW | Clip for TV3030/TV3630 Tri-View Mirror door |
| CLIP REAR SHELF | Middle shelf rest for 30" or wider Wall cabinet shelf |
| CLIP SHELF NP SPIN | Locking shelf clip for NP Spin Units (Base 4 required, Wall 5 required) |
| DRB WB MOUNT CLIP L | Left drawer release clip for Wastebasket Cabinets |
| DRB WB MOUNT CLIP R | Right drawer release clip for Wastebasket Cabinets |
| DRB MOUNT CLIP L FD | Left drawer release clip for Left Full-Extension Hidden Glide |
| DRB MOUNT CLIP R FD | Right drawer release clip for Left Full-Extension Hidden Glide |
| MOUNT BRACKET GA SS1 | Bracket for Side-Mounted Channels |
| SHELF SUPT ADJ BASE | Middle shelf rest for 27" or wider Base cabinet shelf |
| SPACER GL BD FRT FG | Left/Right front drawer clip for bottom drawer on VDB__34H & DB__cabinets |
| SPACER GL KDC FRT FG | Left/Right front drawer clip for KDC |

MISCELLANEOUS PARTS & ACCESSORIES

SCREWS

| Part Name | Description |
|----------------------|---|
| SCREW BOLT EXT RD FG | Bolt for RD extender |
| SCREW CHANNEL | Channel installation screw (1 per channel) |
| SCREW DDF 1 1/4" | Drawer front installation screw |
| SCREW DDF SDC | SDC drawer front installation screw (1 per drawer body) |
| SCREW EXTENDER RD | Screw for RD extender (1 per extender) |
| SCREW GLIDE FD | Screw that attaches glide brackets to front face frame of cabinet (qty 1 per glide) |
| SCREW HINGE/DR | Hinge-to-door screw (2 per door) |
| SCREW HINGE/FR | Hinge-to-frame screw (1 per hinge) |
| SCREW NUT EXT RD FG | Nut for RD extender |
| SCREW TRACK | Track installation screw (2 per track) |

MISCELLANEOUS SHELVING

| Part Name | Description |
|----------------|--------------------------------|
| BS18 SHELF 1PK | Single Shelf for BS18__ |
| BS18 SHELF 4PK | 4 Pack Shelf Kit for BS18__ |
| BS24 SHELF 1PK | Single Shelf for BS24__ |
| BS24 SHELF 4PK | 4 Pack Shelf Kit for BS24__ |
| BS30 SHELF 1PK | Single Shelf for BS30__ |
| BS30 SHELF 4PK | 4 Pack Shelf Kit for BS30__ |
| BS36 SHELF 1PK | Single Shelf for BS36__ |
| BS36 SHELF 4PK | 4 Pack Shelf Kit for BS36__ |
| WMSC3012 SHELF | Microwave shelf for WMSC301236 |

MISCELLANEOUS

| Part Name | Description |
|----------------------|--|
| BASE CORNER BLOCK WD | Plywood corner block |
| BUMPER CLEAR | Door bumper (Strip of 4 bumpers) |
| BUMPER CLEAR 55 | Door bumper (Strip of 55 bumpers) |
| BUMPER CLEAR DWR | Drawer bumper (Strip of 4 bumpers) |
| BWBB15 FH SOL KIT | Wastebasket kit for POL BWBB15 FH |
| BWBB15 SOL KIT | Wastebasket kit for POL BWBB15 |
| BWBB15-2 SOL KIT | Wastebasket kit for POL BWBB15-2 |
| BWBB18 FH SOL KIT | Wastebasket kit for POL BWBB18 FH |
| BWBB18-2 SOL KIT | Wastebasket kit for POL BWBB18-2 |
| BWBB21-2 FH SOL KIT | Wastebasket kit for POL BWBB21-2 FH |
| BWBB21-2 SOL KIT | Wastebasket kit for POL BWBB21-2 |
| CORNER BRACKET | Plastic corner block |
| COVER CAP 10MM TAN | Tan cover cap for cabinet backs |
| COVER CAP 10MM WHT | White cover cap for cabinet backs |
| DWBB1824 SOL KIT | Wastebasket kit for POL DWBB1824 |
| DFDC FILE UNIT 21 | File unit for DFDC1821 |
| DFDC FILE UNIT 24 | File unit for DFDC1824 |
| FRAME SPACER BPP9 | Unit stabilizer and frame spacer for BPP9 and BTDP9 |
| KNOB SDC | Wooden knob for SDC/BSDC6 |
| LATCH TILT OUT TRAY | Latch for Factory Installed Tilt-Out Tray |
| MAG CATCH TV BLK | Black magnetic catch for TV3030/TV3630 Tri-View Mirror |
| MAG CATCH TV WHT | White magnetic catch for TV3030/TV3630 Tri-View Mirror |
| MC SHELF HDW | Package of 4 shelf clips for MC/MCM cabinet |
| MIRROR TV3030 | Mirror for TV3030 |
| MIRROR TV3630 | Mirror for TV3630 |
| PULL TRIVIEW | Chrome pull for TV3030/TV3630 Tri-View Mirror |
| ROT PROTECTOR | End plastic protector on Sliding Shelves |
| TRAY ST TILT OUT 11 | Stainless Tray ONLY for Factory Installed Tilt-Out |
| TRAY ST TILT OUT 14 | Stainless Tray ONLY for Factory Installed Tilt-Out |
| TRAY ST TILT OUT 24 | Stainless Tray ONLY for Factory Installed Tilt-Out |
| WASTEBASKET 27QT SLV | Silver 27 QT Wastebasket |
| WASTEBASKET 35QT SLV | Silver 35 QT Wastebasket |
| WASTEBASKET 50QT SLV | Silver 50 QT Wastebasket |
| WOOD SPIN HOLE PLUG | Plug for Wood Spin shelf |
| WTH DOOR STAY | One Door Stay for Wall Top Hinge cabinet |
| WTH DR STAY DR BRK | One Door Bracket for WTH DOOR STAY |
| WTH DR STAY FR BRK | One Frame bracket for WTH DOOR STAY |
| WTH HEX KEY BAG | One Hex Key for WTH DOOR STAY |

REPLACEMENT PARTS FOR 24" DEEP BASE AND DESK DRAWERS

WITH SIDE-MOUNTED GLIDES

| Part Name | Description |
|------------------|---|
| DRB__X 21DP SG | Standard small drawer body |
| DRB__M X 21DP SG | Standard large drawer body |
| CHANNEL 21L | Left channel for drawer - attaches to cabinet (qty 1 per drawer) |
| CHANNEL 21R | Right channel for drawer - attaches to cabinet (qty 1 per drawer) |
| TRACK GA 21L | Left track for drawer - attaches to drawer body (qty 1 per drawer) |
| TRACK GA 21R | Right track for drawer - attaches to drawer body (qty 1 per drawer) |
| BRACKET CHAN B | Back bracket for channel - attaches channel to cabinet (qty 2 per drawer) |
| SCREW CHANNEL | Channel screw - attaches channel to face frame (qty 1 per drawer) |
| SCREW TRACK | Track screw - attaches track to drawer body (qty 2 per drawer) |

REPLACEMENT PARTS FOR 18" DEEP VANITY/KNEEHOLE DRAWERS

WITH SIDE-MOUNTED GLIDES

| Part Name | Description |
|---------------------|--|
| DRB__X 15DP SG | Small drawer body |
| DRB__M X 15DP SG | Large drawer body |
| DRBKDC_X 15DP DT SG | Kneehole drawer body |
| CHANNEL V 18L | Left channel for drawer - attaches to cabinet (qty 1 per drawer) |
| CHANNEL V 18R | Right channel for drawer - attaches to cabinet (qty 1 per drawer) |
| TRACK GA 16L | Left track for drawer - attaches to drawer body (qty 1 per drawer) |
| TRACK GA 16R | Right track for drawer - attaches to drawer body (qty 1 per drawer) |
| BRACKET CHAN B | Back bracket for channel - attaches channel to cabinet (qty 2 per drawer) |
| SCREW CHANNEL | Channel screw - attaches channel to face frame (qty 1 per drawer) |
| SPACER GL BD FRT FG | Drawer clip for bottom drawer on VDB__34H cabinets only (qty 2 per drawer) |

REPLACEMENT PARTS FOR WASTEBASKET CABINETS

WITH FULL-EXTENSION GLIDES

| Part Name | Description |
|----------------------|---|
| BWBB__ _OL KIT | Base Bottom Mounted Wastebasket Kit (includes all installation items) |
| DWBB18__ _OL KIT | Desk Bottom Mounted Wastebasket Kit (includes all installation items) |
| GLIDE WB FAR24 | Right Heavy Duty Glide for BWBB__ DWBB1824 (qty 1 per pullout) |
| GLIDE WB FAL24 | Left Heavy Duty Glide for BWBB__ DWBB1824 (qty 1 per pullout) |
| SCREW GLIDE FD | Screw that attaches glide brackets to front face frame of cabinet (qty 1 per glide) |
| SCREW TRACK | Screw that attaches the door to the drawer box using "L" brackets (qty 2 per bracket) |
| SCREW BRACKET DDF | Attaches "L" bracket to drawer front (qty 2 per bracket) |
| SCREW BRACKET DRB | Attaches "L" bracket to drawer box (qty 2 per bracket) |
| BRACKET GLIDE WB BOT | Heavy Duty Glide Back Bracket - mounts to cabinet floor (qty 1 per glide) |
| DDF BRACKET FOL | Metal "L" bracket for FOL door attachment (qty 4 per door) |
| DDF BRACKET CCAP FOL | Plastic "L" bracket cover cap for DDF BRACKET FOL (qty 1 per bracket) |
| DDF BRACKET SOL | Metal "L" bracket for POL door attachment (qty 4 per door) |
| DDF BRACKET CCAP SOL | Plastic "L" bracket cover cap for DDF BRACKET SOL (qty 1 per bracket) |
| WASTEBASKET 27QT SLV | Silver 27 QT Wastebasket |
| WASTEBASKET 35QT SLV | Silver 35 QT Wastebasket |
| WASTEBASKET 50QT SLV | Silver 50 QT Wastebasket |

REPLACEMENT PARTS FOR 21" DEEP VANITY AND DESK DRAWERS

WITH SIDE-MOUNTED GLIDES

| Part Name | Description |
|------------------|---|
| DRB__X 18DP SG | Small drawer body |
| DRB__M X 18DP SG | Large drawer body |
| CHANNEL V L | Left channel for drawer - attaches to cabinet (qty 1 per drawer) |
| CHANNEL V R | Right channel for drawer - attaches to cabinet (qty 1 per drawer) |
| TRACK V L | Left track for drawer - attaches to drawer body (qty 1 per drawer) |
| TRACK V R | Right track for drawer - attaches to drawer body (qty 1 per drawer) |
| BRACKET CHAN B | Back bracket for channel - attaches channel to cabinet (qty 2 per drawer) |
| SCREW CHANNEL | Channel screw - attaches channel to face frame (qty 1 per drawer) |
| SCREW TRACK | Track screw - attaches track to drawer body (qty 2 per drawer) |

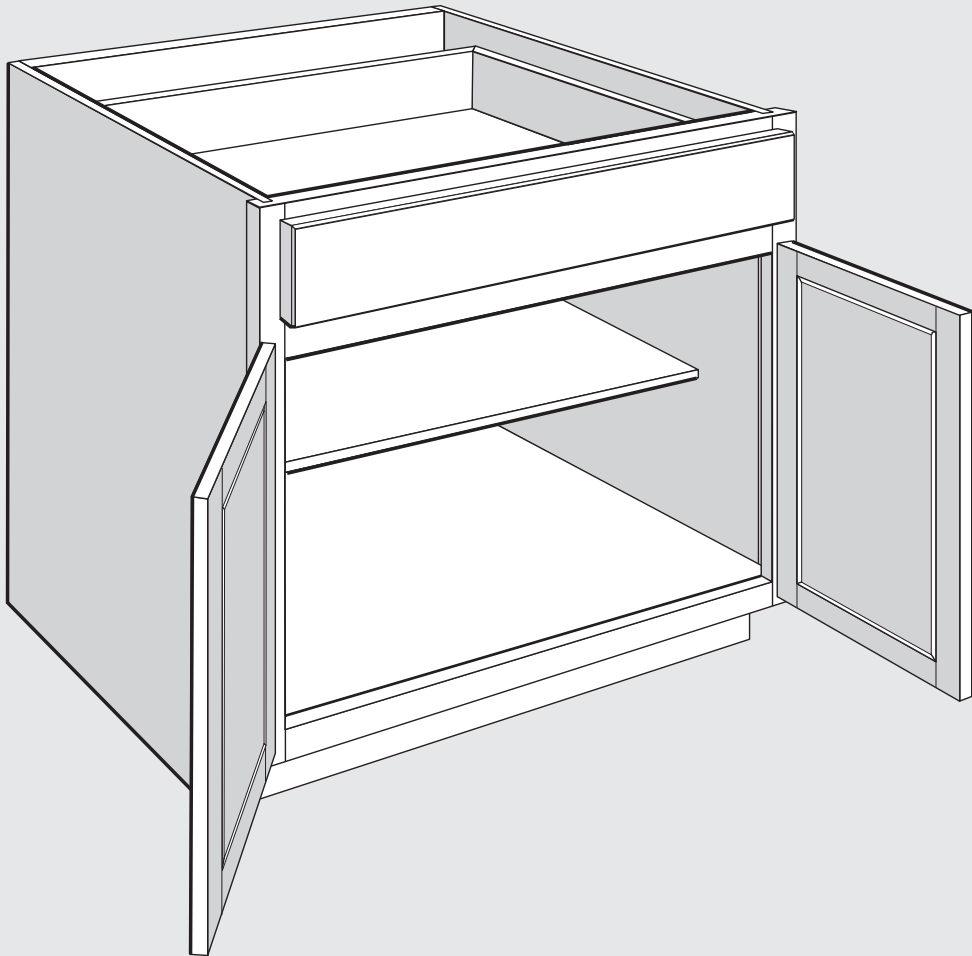
REPLACEMENT PARTS FOR SLIDING SHELVES, BASE POT & PAN ORGANIZERS AND ROLL-OUT TRAY DIVIDER KITS

WITH FULL DEPTH WITH SIDE-MOUNTED GLIDES

| Part Name | Description |
|----------------|--|
| SSK_ | Sliding Shelf Kit |
| CHANNEL SS1L | Left channel for sliding shelf - attaches to cabinet (qty 1 per drawer) |
| CHANNEL SS1R | Right channel for sliding shelf - attaches to cabinet (qty 1 per drawer) |
| TRACK GA 21L | Left track for sliding shelf - attaches to drawer body (qty 1 per drawer) |
| TRACK GA 21R | Right track for sliding shelf - attaches to drawer body (qty 1 per drawer) |
| BRACKET CHAN B | Back bracket for channel - attaches channel to cabinet (qty 2 per drawer) |
| SCREW CHANNEL | Channel screw - attaches channel to face frame (qty 1 per sliding shelf) |
| SCREW TRACK | Track screw - attaches track to drawer body (qty 2 per drawer) |

Notes

INDEX



| | Code | Page |
|---|-------------|------|
| 1/2" Panel | WFP__ | 141 |
| 3-Sided Stock | S3S__ | 121 |
| 4-Sided Stock | S4S__ | 121 |
| A | | |
| Accent Turned Foot | ATF | 132 |
| Adjustable Shelf Kit | S/SK__ | 116 |
| Angle Crown Molding | ACM8 | 118 |
| Angled Corbel | AS12__ | 129 |
| Angled Outside Corner Molding | AOSC8 | 122 |
| Aria Foot | ARDF | 131 |
| Aria Leg | ARDL | 131 |
| Asymmetrical Base Easy Reach | BER__ | 69 |
| Asymmetrical Base Super Susan with Wood Spin Units | BSS__ WD | 70 |
| B | | |
| Base Bookshelf | BS2434 | 89 |
| Base Cabinet, 1 Factory Installed Wastebasket | BWBB15 | 60 |
| Base Cabinet, 2 Factory Installed Wastebaskets | BWBB__ -2 | 60 |
| Base Cabinet Construction | - | 17 |
| Base Cabinet Decorator Matching Doors | DMDB | 144 |
| Base Cabinet Dimensions | - | 18 |
| Base Cabinet, Standard with 2 Butt Doors | B__ | 61 |
| Base Cabinet, Standard with Center Stile | B__ | 61 |
| Base Cabinet, Standard with One Door | B__ | 60 |
| Base Cabinet, with 2 Butt Doors and Sliding Shelves | B__ SS__ | 61 |
| Base Cabinet, with Center Stile and Sliding Shelves | B__ SS__ | 62 |
| Base Cabinet, with One Door and Sliding Shelves | B__ SS__ | 60 |
| Base Column Filler | B_C__ | 148 |
| Base Column Filler | BPC32734 | 148 |
| Base Corner Filler | BCF27 | 147 |
| Base Easy Reach | BER__ | 69 |
| Base End Angle | BEA__ FH | 78 |
| Base Locking Shelf Rest | - | 21 |
| Base Microwave Cabinet | BMC__ | 79 |
| Base Oven Cabinet Universal | BOCU__ | 79 |
| Base Spice Drawer Cabinet | BSDC6 | 78 |
| Base Square Foot | BSQF | 132 |
| Base Square Leg | BSQL | 132 |
| Base Super Susan with Wood Spin Units | BSS__ WD | 70 |
| Base Tapered Leg | BTPL | 132 |
| Base Toe Kick | BTK8 | 149 |
| Base Turned Leg | BTL | 132 |
| Base Utensil Storage Pull-Out | BPPUCC__ CC | 65 |
| Base Wine Rack Cabinet | BWRC6 | 78 |
| Batten Molding | BM8 | 122 |
| Batten Molding - Builder | BM8 BLD | 123 |
| Blind Corner Base Installation Chart | - | 73 |
| Blind Corner Base | BLB__ | 72 |
| Blind Corner Closure | BLC__ | 57 |
| Blind Corner Closure | BLC1515 | 83 |
| Blind Peninsula Corner Base | PBC__ | 67 |
| Blind Wall Cabinet | BLW__ | 44 |
| Blind Wall Cabinet Dimensions | - | 45 |
| Blind Wall Cabinet Installation Chart | - | 45 |
| Box Range Hood, Artisan | RH__ A | 51 |

| | Code | Page |
|-----------------------------|---------|------|
| Box Range Hood, Modern Box | RH__ MB | 51 |
| Box Range Hood, Shiplap Box | RH__ SB | 51 |
| Box Range Hood, Sloped | RH__ SL | 51 |
| Built-In Microwave Cabinet | BBMC__ | 80 |

C

| | | |
|---------------------------------------|-----------|-----|
| Cabinet Angle Molding | CAM8 | 122 |
| Cabinet Care | - | 14 |
| Cabinet Front Only Option | CFO | 30 |
| Cabinet Specifications | - | 13 |
| Cabinet Tray Divider | TD3 | 82 |
| Ceiling Height Requirements | - | 24 |
| Certification | - | 12 |
| Chair Rail Molding | CR8 | 119 |
| Chantilly Decorative Foot | CDF | 133 |
| Chantilly Decorative Leg | CDL | 133 |
| Chantilly Furniture Leg | CFL | 133 |
| Classic Baseboard Molding | CLBM8 | 120 |
| Classic Trim Molding | CLTM8 | 120 |
| Cleaning Caddy Pullout Kit | CCPOK | 81 |
| Cleat | HWC__ | 150 |
| Construction Option Examples | - | 28 |
| Contact Information | - | 2 |
| Contemporary Trim Molding | CTM8 | 118 |
| Corner Base Carousel | CAR | 71 |
| Corner Base with Plastic Spin Shelves | CBS36 | 71 |
| Corner Base with Wood Spin Units | CBS36 WD | 71 |
| Corner Sink Base | CSB36 | 74 |
| Corner Sink Front | CSF__ | 77 |
| Corner Wall Cabinets | CW__ | 46 |
| Cover Caps | COVER CAP | 150 |
| Crown Molding - Builder | CM8 BLD | 123 |
| Crown Molding | CM8 | 118 |
| Curved Corbel | CS12__ | 129 |
| Cutlery Divider Kit | CDAK__ | 80 |

D

| | | |
|--|-------------|-----|
| Decorative Cove Molding | DCVM8 | 118 |
| Decorative Glass Clips | CLIP DGI __ | 37 |
| Decorative Hardware | - | 153 |
| Decorative Inside Corner Molding | ICM8 | 122 |
| Decorative Island Panel Kit | DIPK__34 _ | 142 |
| Decorative Island Side | DIS__34 _ | 142 |
| Decorative Mantel Range Hood | WRH__ DM | 50 |
| Decorative Trim Molding | DCTM8 | 118 |
| Decorator Matching Doors | DMDBEA12 | 144 |
| Deep Sink/Range Base Cabinet | DSB__ | 74 |
| Delivery Services | - | 4 |
| Desk Cabinet Decorator Matching Doors | DMDD__ | 144 |
| Desk Cabinet Dimensions | - | 19 |
| Desk Cabinet with Wastebasket Pull-Out, 21" Deep | DWBB1821 | 86 |
| Desk Cabinet with Wastebasket Pull-Out, 24" Deep | DWBB1824 | 86 |
| Desk Door Cabinet, 21" Deep | DDO__21 | 86 |
| Desk Door Cabinet, 24" Deep | DDO__24 | 86 |
| Desk Drawer Cabinet, 21" Deep | DDR__21 | 87 |
| Desk Drawer Cabinet, 24" Deep | DDR__24 | 87 |

| | Code | Page |
|--|-----------------|--------------|
| Desk End Panel | DEP | 90, 114, 138 |
| Desk File Pull-Out Cabinet, 21" Deep | DFDC1821 | 87 |
| Desk File Pull-Out Cabinet, 24" Deep | DFDC1824 | 87 |
| Dishwasher Return | DWR3 | 138 |
| Door Style Collections | - | 7 |
| Door Style Collections, Elite | - | 8 |
| Double Oven Cabinet, No Drawer | OVD__ BUTT NDWR | 101 |
| Drawer Base Cabinet, 3 Drawers | DB__ | 66 |
| Drawer Base Cabinet, 4 Drawers | DB__ 4DWR | 66 |
| Drawer Base Cabinet Dimensions | | 19 |
| Dummy Drawer Front Fastener | DDF FASTENER | 150 |
| E | | |
| Era Foot | ERDF | 131 |
| Era Leg | ERDL | 131 |
| F | | |
| Filler, Plain Box | WPB__ | 52 |
| Finished Shelf | FS__ | 57 |
| Finishing System Specifications | - | 14 |
| Floating Shelf | FLSH__ | 57, 90 |
| Fluted Beaded Filler Extension | FBF E3__ | 147 |
| Fluted Beaded Filler | FBF__ | 147 |
| Full Depth Shelf Option | FDS | 32 |
| Full-Height Base Cabinet with Tray Divider and Shelf | TB9 TDS | 63 |
| Full-Height Base Cabinet, 1 Factory Installed Wastebasket | BWBB15 FH | 64 |
| Full-Height Base Cabinet, 2 Butt Doors | B__ FH | 64 |
| Full-Height Base Cabinet, 2 Factory Installed Wastebaskets | BWBB21-2 FH | 64 |
| Full-Height Base Cabinet, One Door | TB9/B__ FH | 63 |
| Full-Height Base with 2 Butt Doors and Sliding Shelves | B__ FH SS__ | 65 |
| Full-Height Base with One Door and Sliding Shelves | B__ FH SS__ | 64 |
| Full-Height Blind Corner Base | BLB__ FH | 72 |
| Full-Height Peninsula Base | PB__ FH | 67 |
| Furniture Drawer Cabinet | FD__ | 65, 87, 114 |
| G | | |
| Glass Insert | DGI__ | 36 |
| Glass Shelf Kit | GSK__ | 58 |
| Grooved End Panel | _EP__ GROOVED | 140 |
| H | | |
| Hardware Specifications | | 21 |
| I | | |
| Increased Depth Option | ID | 30 |
| Inset Light Rail Molding | ILR8 | 120 |
| Inside Corner Molding - Builder | QM8 BLD | 123 |
| Inside Corner Molding | QM8 | 122 |
| Installation Guidelines | - | 22 |
| Inverted Frame Option | IF | 30 |
| K | | |
| Kneehole Drawer Cabinet | KDC__ | 88, 113 |

| | Code | Page |
|--------------------------------------|--------------------|------|
| L | | |
| Large Classic Corbel | CLC212 | 129 |
| Large Cove Molding | LCVM8 | 118 |
| Large Crown Molding - Builder | LCM8 BLD | 123 |
| Large Crown Molding | LCM8 | 118 |
| Large Narrow Cove Corbel | CC212 | 130 |
| Large Prairie Corbel | PC312 | 130 |
| Library Light Rail Molding | LBM8 | 119 |
| M | | |
| Matching Interior Option | MI | 32 |
| Medicine Cabinet | MC/MCM__ | 113 |
| Medium Cove Corbel | CC49 | 130 |
| Medium Narrow Cove Corbel | CC29 | 130 |
| Medium Prairie Corbel | PC49 | 130 |
| Metal Cove Corbel | METAL COVE 212__ | 130 |
| Metal Emerson Corbel | METAL EMERSON 27__ | 131 |
| Metal Shelf Rest | - | 21 |
| Microwave Wall | WMC__ | 43 |
| Mirror Molding | MM8 | 119 |
| Molding & Decorative Accents | - | 117 |
| Mullion Frame Door Profiles | MFD | 35 |
| Mullion Shelf Rest | | 21 |
| O | | |
| Ogee Molding | OGE8 | 119 |
| Ogee Pilaster Molding | OGP8 | 120 |
| Open Frame Door Profiles | OFD | 35 |
| Order Replacement Procedure | - | 3 |
| Outside Corner Molding - Builder | OCM8 BLD | 123 |
| Outside Corner Molding | OTCM8 | 122 |
| Oven Cabinet, Single | OVS__ | 95 |
| Overlay Dimensions | | 25 |
| P | | |
| Panels, Fillers & Installation Items | - | 137 |
| Parker Decorative Foot | PDF | 133 |
| Parker Decorative | PDL | 133 |
| Parker Furniture Leg | PFL | 133 |
| Pedestal Drawer Cabinet | PD__ | 65 |
| Peninsula Base Cabinet | PB__ | 66 |
| Plain Box Filler | WPB__ | 148 |
| Plywood Panel | WP__ | 141 |
| Putty Stick | PUTTY STICK | 152 |
| Q | | |
| Quarter Round Molding | QR8 | 122 |
| R | | |
| Range Hood Blower | RHVENT__ | 53 |
| Range Hood Chimney, Plain | RHC__ | 52 |
| Range Hood, Classic Tapered | RH__CT | 50 |
| Range Hood Liner, Straight Valance | RHLINER__ S | 55 |
| Range Hood Liner, Tapered | RHLINER__ | 55 |

| | Code | Page |
|---|---------------------|------------------|
| Range Hood, Modern Box | RH__ MB | 51 |
| Range Hood, Raised Panel | RH__ RP | 52 |
| Range Hood, Shiplap Box | RH__ SB | 51 |
| Range Hood, Sloped | RH__ SLWM | 51 |
| Range Hood, Straight Valance | RH__ SV | 52 |
| Recessed Toe Kick Option | RTK | 31 |
| Reduced Depth Option | RD | 29 |
| Refrigerator Return Panel | RR__ | 138 |
| Replacement Policy | - | 5 |
| S | | |
| Screws, Installation | SCREW | 150 |
| Scribe Molding - Builder | SM8 BLD | 123 |
| Scribe Molding | SM8 | 122 |
| Scribe Molding | SM10 | 122 |
| Service Policy | - | 3 |
| Shaker Accent Molding | SAM | 121 |
| Shaker Chair Rail Molding | SQCR8 | 119 |
| Shaker Insert Molding | SIM8 | 119 |
| Shaker Mirror Molding | SMM8 | 119 |
| Shelf, Adjustable | S/SK__ | 116 |
| Shelf End Wall, Round Top and Bottom | SEW__ | 49 |
| Shelf End Wall, Square Top and Bottom | SEW__ SQTB | 49 |
| Shelf End Wall, Square Top and Round Bottom | SEW__ SQT | 49 |
| Shelf, Floating | FLSH__ | 57, 90 |
| Shelf Rests | SHELF REST | 149 |
| Shoe Molding - Builder | SHM8 BLD | 123 |
| Shoe Molding | SHM8__ | 122 |
| Side-Mounted Drawer Glides | - | 21 |
| Single Bead Accent Molding | SBAM8 | 121 |
| Single Bead Insert Molding | SBIM8 | 119 |
| Single Bead Molding | SBM8 | 121 |
| Single Oven Cabinet, with 2 Butt Doors, 2 Large Drawers | OVS__ BUTT 2DDWR | 98 |
| Single Oven Cabinet, with 2 Butt Doors, 3 Drawers | OVS__ BUTT 3DWR | 99 |
| Single Oven Cabinet, with 2 Butt Doors, 4 Drawers | OVS__ BUTT 4DWR | 100 |
| Single Oven Cabinet, with 4 Butt Doors, 1 Drawer | OVS__ BUTT 1DWR | 96 |
| Single Oven Cabinet, with 4 Butt Doors, 2 Drawers | OVS__ BUTT 2DWR | 97 |
| Sink Base Door Storage Unit | SBDSU__ | 82 |
| Sink Base Mat | SBMAT__ | 81 |
| Sink Base Multi-Storage Cabinet | SBMSC__ BUTT STO | 78 |
| Sink Base Multi-Storage Shelf | SBMSS | 82 |
| Sink Base with One Factory Installed Tilt-Out Tray(s) | SB__ STO | 76 |
| Sink Base with Sink Base Mat | SB__ BUTT STO SBMAT | 76 |
| Sink Base with Two Factory Installed Tilt-Out Tray(s) | SB__ STO | 76 |
| Sink/Cooktop Base Cabinet | SB__ | 75 |
| Sink/Cooktop Front | SF__ | 77 |
| Sink/Vanity Front Floor | FL__ | 139 |
| Sink/Vanity Front Return | SFR | 139 |
| Sliding Shelf 4-Pack Kit | USS__4K | 103, 116 |
| Sliding Shelf Kit | SSK__ | 81, 89, 103, 116 |
| Small Classic Corbel | CLC29 | 129 |
| Small Cove Molding | SCVM8 | 118 |
| Small Prairie Corbel | PC36 | 130 |
| Small Single Bead Molding | SSBM8 | 121 |
| Small Traditional Light Rail Molding | STLR8 | 120 |
| Soffit Crown Molding | SCM8 | 118 |
| Specialty Door Options | - | 34 |

| | Code | Page |
|---------------------------------|---------------|--------|
| Spice Drawer Cabinet | SDC__ | 48 |
| Spice Drawer Insert Kit | SDIAK__ | 80 |
| Spice Rack Kit | SRK__ | 56 |
| Split Post | SPLT POST80 P | 134 |
| Spray Stain | SPRAY STAIN | 151 |
| Square Inset Light Rail Molding | SQILR8 | 120 |
| Stain | STAIN | 151 |
| Standard Cabinet Specifications | - | 11 |
| Starter Molding | STRM8 | 121 |
| Stem Glass Holder | SGH36U | 56 |
| Storage Cube | SC__ | 47, 88 |
| Straight Trim Molding | UM8 | 122 |

T

| | | |
|---------------------------------------|--------------|---------|
| Tall Bookshelves | BS__ | 88 |
| Tall Cabinet Decorator Matching Doors | DMDT__ | 145 |
| Tall Cabinet Dimensions | - | 20 |
| Tall Cabinets | - | 91 |
| Tall Column Filler | T_C__ | 148 |
| Tapered Foot | TPF | 132 |
| Tilt-Out Tray Kit | STO TRAY__ | 83, 114 |
| Touch Up Kit | TOUCHUP KIT | 151 |
| Touchup Marker | TU MARKER | 152 |
| Traditional Classic Crown Molding | TCCM8 | 118 |
| Traditional Split Block | SPLT BLOCK26 | 134 |
| Tri-View Mirror | TV__ | 113 |

U

| | | |
|--|-------------------|-----|
| Universal Filler Extension | UF E3__ | 146 |
| Universal Filler | UF__ | 146 |
| Utility Cabinet, 12" Deep | UT__ 12 X __ | 92 |
| Utility Cabinet, 12" Deep, with Adjustable Shelves | UT__ 12 X __ AS | 93 |
| Utility Cabinet, 24" Deep | UT__ 24 X __ | 92 |
| Utility Cabinet, 24" Deep, with Adjustable Shelves | UT__ 24 X __ AS | 93 |
| Utility Cabinet, 24" Deep, with Sliding Shelves | UT__ 24 X __ 4SSK | 94 |

V

| | | |
|---|----------------|-----|
| Valances | V__ | 127 |
| Valet Cabinet | VC2436 BUTT | 112 |
| Vanity Base, One Door | VB__ | 106 |
| Vanity Base, Two Butt Doors | VB__ BUTT | 106 |
| Vanity Base with Full-Height Door, 34 1/2" High | VB__ 34H FH | 106 |
| Vanity Cabinet Decorator Matching Doors | DMDV | 145 |
| Vanity Cabinet Dimensions | - | 19 |
| Vanity Cabinets | - | 105 |
| Vanity Combo Sink Base, 31 1/8" High | VSDB__ | 110 |
| Vanity Combo Sink Base, 34 1/2" High | VSDB3934H BK | 111 |
| Vanity Drawer Base, 31 1/8" High | VDB__ | 107 |
| Vanity Drawer Base, 34 1/2" High | VDB__ 34H | 107 |
| Vanity Linen Cabinet | VLC__ | 115 |
| Vanity Linen Cabinet, with Adjustable Shelves | VLC__ AS | 115 |
| Vanity Linen Cabinet, with Sliding Shelves | VLC__ 4SSK | 115 |
| Vanity Sink Base, 34 1/2" High | VSDB/VAN__ 34H | 107 |
| Void Door Option | VDO__ | 33 |
| Void Top Drawer Option | VTD | 33 |

W

| | | |
|--|----------|-----|
| Wall Bookshelves | BS__ | 89 |
| Wall Cabinet Construction | - | 16 |
| Wall Cabinet Decorator Matching Doors | DMDW__ | 145 |
| Wall Cabinet Dimensions | - | 18 |
| Wall Cabinet, Standard | W__ | 40 |
| Wall Cabinet with Spice Rack | W__ SR | 42 |
| Wall Column Filler | W_C__ | 148 |
| Wall Easy Reach | WER__ | 47 |
| Wall End Angle Cabinet | WEA12__ | 47 |
| Wall Microwave Cabinet, with Shelf | WMSC__ | 43 |
| Wall Range Hood, Classic Tapered | WRH__ CT | 50 |
| Wall Range Hood, Decorative Mantle | WRH__ DM | 50 |
| Wall Range Hood, Raised Panel | WRH__ RP | 50 |
| Wall Range Hood, Straight Valance | WRH__ SV | 50 |
| Wall Top Hinge Cabinet | WTH__ | 42 |
| Warranty | - | 6 |
| Wide Batten Molding | WBM8 | 122 |
| Wine Rack Cabinet | WRC__ | 48 |
| Wine Rack | WR36 | 56 |
| Wine Storage Cabinet | WSC__ | 48 |
| Wood End Panel | _EP__ | 140 |
| Wood Species & Materials Specification | - | 15 |
| Wood Tall End Panel | WTEP__ | 140 |