

1951TM

Cabinetry



Specification Guide 2025

What's New for 2025

This guide highlights all the exciting additions and enhancements we've made to our cabinet line, from new finishes, decorative accessories, and construction options to range hood redesigns and more. In the back of this guide, you'll also find our parts directory. If you have any questions, please contact our Partner Team at 1-877-957-7278.

For easy identification, we've highlighted newly available offerings throughout this guide.

Imagine the Possibilities

For over 70 years, 1951™ Cabinetry has been crafting high-quality cabinets that combine lasting beauty with exceptional value. Whether remodeling or building new, our cabinets help you create a space that reflects your unique style.

Whether it's transitional cabinets that evoke a feeling of traditional warmth paired with modern design, the clean lines of modern cabinetry, or the intricate embellishments and precise detailing of classic cabinets that showcase the artistry of woodworking, 1951 Cabinetry offers a variety of styles, colors, materials, hardware, and upgrades to help create a space that's uniquely your own. No matter which cabinets you choose, you can be confident they will stand the test of time.

New Finishes

- Maple Cider finish available on all Maple door styles
- Painted Oat finish available on all Painted door styles

Duraform Textured Box Finish Update

- Duraform Breeze is now paired with a Painted Harbor cabinet box/accessories
- Duraform Drift is now paired with a Painted Oat cabinet box/accessories

Glaze Finish Change

- Painted Glaze finishes have now transitioned to new modification pricing

New Construction Option

- Void Toe Kick Option is available for most cabinets with a toe kick

Range Hood Redesign

- Artisan Range Hood now ships with (1) Contemporary Trim Molding (CLTM8), new nomenclature RH__AWM
- Sloped Range Hood now ships with (1) Contemporary Trim Molding (CLTM8), new nomenclature RH__SLWM

Base Cabinet Expansion

- 12" Base Tray Divider Pull-Out Cabinet: BTDP12 CC
- Sink Bases with Sink Base Mats: SB30 BUTT SBMAT, SB33 BUTT SBMAT, SB36 BUTT SBMAT, SB39 SBMAT, SB30 BUTT STO SBMAT, SB33 BUTT STO SBMAT, SB36 BUTT STO SBMAT, SB39 STO SBMAT

Base Accessory Expansion

- Standard Height Drawer Adjustable Divider Kit (for upgraded CCDW drawers): ADIK15/18, ADIK21/24, ADIK27/30, ADIK33/36

Decorative Island Panels

- Decorative Island Sides in Modern: DIS2534 M, DIS3734 M, DIS4934 M
- Decorative Island Sides in Transitional: DIS2534 T, DIS3734 T, DIS4934 T
- Decorative Island Sides in Classic: DIS2534 C, DIS3734 C, DIS4934 C
- Decorative Island Panel Kits in Modern: DIPK4834 M, DIPK9634 M
- Decorative Island Panel Kits in Transitional: DIPK4834 T, DIPK9634 T
- Decorative Island Panel Kits in Classic: DIPK4834 C, DIPK9634 C

Decorative Accessory Expansion

- Classic Corbels: CLC29, CLC212
- Era Corbels: ERC49, ERC312
- Large Decorative Legs: PDL5, CDL5, BSQ5
- Aria Leg and Foot: ARDL, ARDF
- Era Leg and Foot: ERDL, ERDF
- Metal Corbels in Brushed Gold Finish: METAL COVE 212 BG, METAL EMERSON 27 BG
- Coat Hooks in Brushed Gold and Matte Black Finishes: HOOK MB, HOOK BG

Panel Expansion

- ½" Finished Plywood: WFP4834, WFP9634

Touch-Up Materials & Installation Items

- Table Skirt Furniture Bracket: TSFB
- Simplified Putty Stick and Touch-Up Markers nomenclatures: PUTTY STICK EXTERIOR, TU MARKER EXTERIOR, TU MARKER EXT GLAZE

Discontinued

- Cherry Slate
- Maple Cognac
- Abilene Duraform
- Lubbock Duraform Espresso
- Pantry Cabinet with Door Storage (UT3624 X __ PCDS BUTT, UT3624 X __ PCDS BUTT SD)
- Door Storage Accessories (PCSK36, PDSK18, PK36, PSK36, CLIP PILASTER, PDSK18 SHELF, S369)
- Chantilly Furniture Leg (CFL)
- Accent Full-Turned Foot (ATF-FR)
- Rosette Corbels (RC36, RC49, RC313)
- Finley Corbels (FC36, FC49, FC312)
- Cove Corbels (CC26, CC36)
- Valencia Corbel (VC36, VC49, VC312)
- Crown Valances (V60 CR, V72 CR)
- Flat Panel Valance (V60 FP, V66 FP, V72 FP)
- Raised Panel Valance (V60 RP, V66 RP, V72 RP)
- Decorative Blocks (FB3x4 PLINTH, FB3x3 ROSETTE, FB6x6 PLINTH, BB3x3 ROSETTE)
- Fluted and Beaded Base Column Fillers (BBC32734, BFC32734)
- Fluted and Beaded Tall Column Fillers (TBC32784, TBC32796, TFC32784, TFC32796)
- Fluted and Beaded Wall Column Fillers (WBC31530, WBC31542, WBC31560, WFC31530, WFC31542, WFC31560)
- Metal Corbels in Polished Chrome (METAL COVE 212 PC, METAL EMERSON 27 PC)
- Coat Hook in Polished Chrome (HOOK PC)

In keeping with our policy of continuous product refinement, 1951 Cabinetry reserves the right to change specifications in design and materials as conditions require.

Introduction	
Contact Information.....	4
Ordering.....	5
Delivery.....	6
Replacements.....	7
Warranty.....	8
Door Styles	9
Elite Series Collections.....	10
Elite Species & Finish Availability.....	11
Canyon	12
Durango	13
Elderidge	14
Premium Series Collections.....	16
Premium Species & Finish Availability.....	17
Abilene	18
Belcourt	19
Clayton	20
Lubbock	21
Oxridge	22
Prime Series Collections.....	24
Prime Species & Finish Availability.....	25
Bandera	26
Cooper	27
Denver	28
Choice Series Collections.....	30
Choice Species & Finish Availability.....	31
Barren	32
Carson.....	33
Standard Cabinet Specifications	35
Certification.....	36
Cabinet Specifications.....	37
Finishing Systems.....	38
Door Species & Characteristics.....	39
Wall Cabinet Construction.....	40
Base Cabinet Construction.....	41
Cabinet Dimensions.....	42
Hardware.....	45
Installed Height Guidelines.....	46
Ceiling Height Requirements.....	48
Overlay Dimensions.....	49
Construction Options	51
Legend & Upcharges.....	52
Premium & Glazed Premium Finish Cabinet Option.....	53
All Plywood Construction.....	54
Plywood Ends Option.....	54
Furniture Ends Option.....	55
CushionClose Hinge Option.....	56
CushionClose Drawer Option.....	56
CushionClose Deep Dovetail Sliding Shelf Option.....	56
Reduced Depth Option.....	57
Increased Depth Option.....	58
Cabinet Front Only Option.....	58
Inverted Frame Option.....	58
Recessed Toe Kick Option.....	59
Void Toe Kick Option	59
Accessible Height Option.....	60
Full Depth Shelf Option.....	60
Matching Interior Option.....	61
Wall Cabinets	71
Standard.....	72
With Spice Rack.....	74
Wall Top Hinge.....	74
Microwave.....	75
Blind.....	76
Corner.....	78
Wall End Angle.....	80
Specialty.....	80
Range Hoods	83
Accessories.....	89
Base Cabinets	93
One Door Base Cabinets.....	94
One Door Base With Sliding Shelves.....	94
One Door Base With Accessories.....	94
One Door Base With Factory Installed Drawer Organizer.....	96
Two Door Base Cabinets.....	97
Two Door Base With Sliding Shelves.....	97
Two Door Base With Accessories.....	97
Two Door Base With Factory Installed Drawer Organizer.....	98
Two Door Two Top Drawer Base Cabinets.....	99
Two Door Two Top Drawer Base Cabinets With Sliding Shelves.....	99
Three Door Base Cabinets.....	99
Three Door Base with Sliding Shelves.....	100
One Door Full-Height Base Cabinets.....	100
One Door Full-Height Base Cabinets with Sliding Shelves.....	101
One Door Full-Height Base Cabinets with Accessories	101
Two Door Full-Height Base Cabinets.....	102
Two Door Full-Height Base Cabinets with Sliding Shelves.....	103
Two Drawer Base.....	104
Two Drawer Base With Factory Installed Drawer Organizer.....	104
Drawer Base.....	105
Drawer Base With Factory Installed Drawer Organizer.....	106
Peninsula.....	107
Full-Height Peninsula Base.....	107
Blind Peninsula Corner Base.....	108
Corner.....	109
Sink/Cooktop.....	115
Sink Base With Factory Installed Tilt-Out Tray(s).....	117
Sink Base with Sink Base Mat	117
Adaptable Sink Base Kit.....	119
Sink/Cooktop Front.....	119
Specialty.....	120
Accessories	123
Desk Cabinets & Bookshelves	129
Desk Base Cabinets.....	130
Bookshelves.....	132
Accessories.....	133
Tall Cabinets	135
Utility Cabinets.....	136
Utility Cabinets with Adjustable Shelves.....	137
Utility Cabinets with Sliding Shelves.....	138
Oven Cabinets.....	139
Accessories.....	149
Vanity Cabinets	151
One Door Vanity Cabinets.....	152
Two Door Vanity Cabinets.....	152
Full-Height Vanity Cabinets.....	153
Vanity Drawer Base.....	153
Vanity Sink Base.....	154
Vanity Combo Sink Base.....	157
Adaptable Sink Base.....	159
Vanity Sink Front.....	159
Specialty.....	159
Accessories.....	160
Vanity Linen Cabinets.....	161
Vanity Linen Accessories.....	161
Molding & Decorative Accents	163
Moldings.....	164
Molding Stacks.....	170
Valances.....	173
Corbels	175
Legs and Feet	179
Split Post and Block.....	181
Panels, Fillers & Installation Items	183
Panels	184
Decorative Island Panels	188
Fillers.....	194
Base Toe Kick.....	199
Installation Items	199
Decorative Hardware	201
Parts Directories	211
Index	261

1951 Cabinetry Contact Information

Partner Team

Phone: 877-957-7278

Fax: 877-957-7277

Email: partners@woodmark.com

Partner Team Hours of Operation

Monday – Friday 8:00 AM – 7:00 PM EST

1951 Cabinetry Website

www.1951cabinetry.com

Ordering

1951 Cabinetry® Service Policy

1951 Cabinetry stands behind a solid Service Policy that supports our goal to deliver a superior customer experience. 1951 Cabinetry is with you every step of the way, from easy 24/7 order placement to enhanced customer delivery and rapid resolution.

Order Placement Procedure

Online Ordering is available 24 hours a day, 7 days a week for order placement, quoting, and tracking. This can be accessed by logging in to <https://go.woodmark.com/onlineordering>. To ensure accuracy and maintain delivery schedules, please include and double check the following information with every order.

- » Delivery address (P.O. Boxes not accepted)
 - » PO, job name, and contact information
 - » Contact information should include two phone numbers (home, cell, work, etc) and an email address
 - » Door style, wood species, and finish
 - » All quantities, product descriptions, and applicable options
 - » Any special delivery services or additional customer requests (if applicable)
 - » Designer name
- All orders received will be processed and an order confirmation sent via email within 1–2 business days of receipt of your order.
 - Upon receipt of the acknowledgement, 1951 strongly encourages that the order be proofed for accuracy.
 - Once an order is processed, it will normally ship from our assembly plants in 15 business days or less. Delivery will be based on the profile established for the specific market and distributor.
 - A final delivery confirmation will be sent via email approximately 10 days prior to delivery.
 - Orders can be modified until the final confirmation notice has been sent. Changes to an order that is in production may result in a delay in shipment. The status of all orders can be viewed through our Online Ordering system.

Delivery

Delivery Services

1951 ensures client satisfaction with tightly scheduled, pre-arranged deliveries.

Home and Store Delivery:

- Deliveries are made from 8:00 am to 5:00 pm, Monday through Friday, unless otherwise agreed upon when the appointment is scheduled.
- Deliveries are made to a dry, secure location on the ground level or 1 level up or down from the delivery truck.
- The delivery agent will use the contact information submitted with the order when scheduling.
- Approximately 10 days prior to delivery, an email confirmation will be sent to the email address submitted with the order, providing the first available delivery date.
- Shortly before or after the order leaves our facility, the carrier will call to schedule a delivery date.
- The day before the order delivers, the delivery agent will call to provide a 4 hour delivery window.
- Approximately 1 hour prior to delivery, the driver will call to provide an estimated delivery time.
- If there is evidence of damage to the packaging, the driver may unpack and inspect the cabinets.
- The Partner Team should be contacted immediately in the event of any problems, shortages or damages.
- Special delivery services may be offered on a requested basis. Please contact the Partner Team for additional information.

Replacement

Replacement Policy for Damaged, Defective, Mis-shipped, or Product Shortage

Replacement items needed as a result of mishandling by 1951 Cabinetry will be shipped on the first possible date based upon product and logistical availability. Contact the Partner Team for assistance.

- Replacement items will be furnished under the following conditions:
 - » Covered under 1951 Cabinetry Limited Lifetime Warranty
 - » Product is damaged during delivery and 1951 is notified within 60 days from delivery date
 - » Product is shorted during delivery and 1951 is notified within 30 days from delivery date
 - » Incorrect product is received due to 1951 error
- Replacement orders do not require a new purchase order. 1951 Cabinetry may request the return of the original part or inspection by a representative.
- Orders for replacement parts must include the original order confirmation number and a detailed description of the problem.
- Photos of the problem may be requested.

No Return Policy:

- 1951 Cabinetry product is built to order and ships directly to our customers without the use of distribution centers or finished goods inventory warehouses. As a result of this special order process we do not accept customer returns.
- 1951 does not take responsibility for incorrect measurements, dimensions, or mis-ordered product.
- 1951 strongly advises to check each order confirmation to verify all products, sizes, and options being ordered.

Warranty

1951 Cabinetry® Limited Lifetime Warranty

The manufacturer of 1951 Cabinetry warrants to the original residential or commercial purchaser that all 1951 Cabinetry, cabinets, and accessories, are free from defects in materials and workmanship for the following durations, subject to the limitations set forth below:

Original residential purchaser: An "original residential purchaser" is defined as any person who purchases the cabinetry for personal use in his or her private residence. The duration of this limited warranty begins at the date of delivery to the residence and extends until such time as that residential purchaser no longer resides at the residence. "Residential purchaser" extends to any person who owns and resides in the residence where the cabinetry is installed, for whom the cabinetry is purchased by a contractor, remodeler or other person/entity, except in commercial applications defined below.

Original commercial purchaser: An "original commercial purchaser" is any person or entity, including but not limited to landlords, leasing companies, contractors, remodelers, and private or public businesses, who purchases the cabinetry for installation and use in any location that will be leased or used as a rental unit, or used for any other commercial or industrial application. The duration of this limited warranty is five years from the date of the product delivery to the location.

Proof of purchase is required. This limited warranty is expressly limited to repair or replacement of the cabinetry at the discretion of the manufacturer. This limited warranty does not include labor costs for removal, repairs, installation, or replacement.

This limited warranty does not cover defects, damage, or failure caused by improper handling, cleaning, installation, storage, assembly or disassembly, intentional damage, unauthorized product modifications and repairs, exposure to the elements including extreme humidity, moisture, or temperatures which may result in warping, splitting, or finish failure, accidental misuse, abuse, or negligence. Humidity levels in the home with cabinetry outside the range of 30-50% and temperature levels outside the range of 50-85°F are considered extreme.

Natural woods may vary in texture, color, and wood grain, and exhibit subtle changes as they age. For example, wood joints may develop visible cracking around the joint area and cabinet colors may darken or lighten over time.

Sunlight, smoke, moisture, household cleaners and other environmental conditions may cause materials to vary from their original color and/or to warp, split or crack. These variations are considered to be the nature of the material in relation to its environmental exposure and are not covered under this limited warranty.

THE MANUFACTURER OF 1951 CABINETRY MAKES NO OTHER WARRANTIES OTHER THAN THOSE SET FORTH HEREIN AND ALL OTHER WARRANTIES ARE HEREBY DISCLAIMED.

THE IMPLIED WARRANTIES OF MERCHANTABILITY AND FITNESS FOR A PARTICULAR PURPOSE ARE LIMITED IN DURATION TO THE LENGTH OF THE LIMITED WARRANTY PERIOD.

THE LIMITED WARRANTIES SET FORTH HEREIN ARE LIMITED TO THE FIRST AND ORIGINAL BUYER AND ARE NOT TRANSFERABLE THEREAFTER. PROOF OF PURCHASE IS REQUIRED TO DETERMINE ELIGIBILITY.

EXCEPT AS PROVIDED IN THIS LIMITED WARRANTY AND TO THE MAXIMUM EXTENT PERMITTED BY LAW, THE MANUFACTURER OF 1951 CABINETRY SHALL NOT BE LIABLE FOR INCIDENTAL, DIRECT, INDIRECT, CONSEQUENTIAL, OR SPECIAL DAMAGES TO THE PURCHASER OR TO ANY THIRD PARTY RESULTING FROM ANY BREACH OF WARRANTY OR CONDITION, OR UNDER ANY OTHER LEGAL THEORY, INCLUDING BUT NOT LIMITED TO: LOSS OF USE, LOST PROFITS, LOSS OF BUSINESS OPPORTUNITY, LOSS OF PROPERTY, OR OTHER ECONOMIC LOSSES. THE FOREGOING LIMITATION SHALL NOT APPLY TO PERSONAL INJURY CLAIMS OR ANY STATUTORY LIABILITY FOR INTENTIONAL AND GROSS NEGLIGENT ACTS AND/OR OMISSIONS.

Additional Exclusions, Limitations and Disclaimers

This limited warranty limits the coverage period for the following components that were not manufactured by American Woodmark:

Range hood blowers and components – one year from the date of delivery

SOME STATES DO NOT ALLOW THE EXCLUSION OR LIMITATION OF INCIDENTAL OR CONSEQUENTIAL DAMAGES, OR LIMITATIONS ON HOW LONG AN IMPLIED WARRANTY LASTS, SO THE ABOVE LIMITATIONS AND EXCLUSIONS MAY NOT APPLY TO YOU.

THIS WARRANTY GIVES YOU SPECIFIC LEGAL RIGHTS, AND YOU MAY ALSO HAVE OTHER RIGHTS, WHICH VARY FROM STATE TO STATE.

Claims

All claims under this limited warranty must be submitted to the manufacturer and must specify the defects present in the cabinets and accessories. Photos or samples of the product may be required to determine coverage.

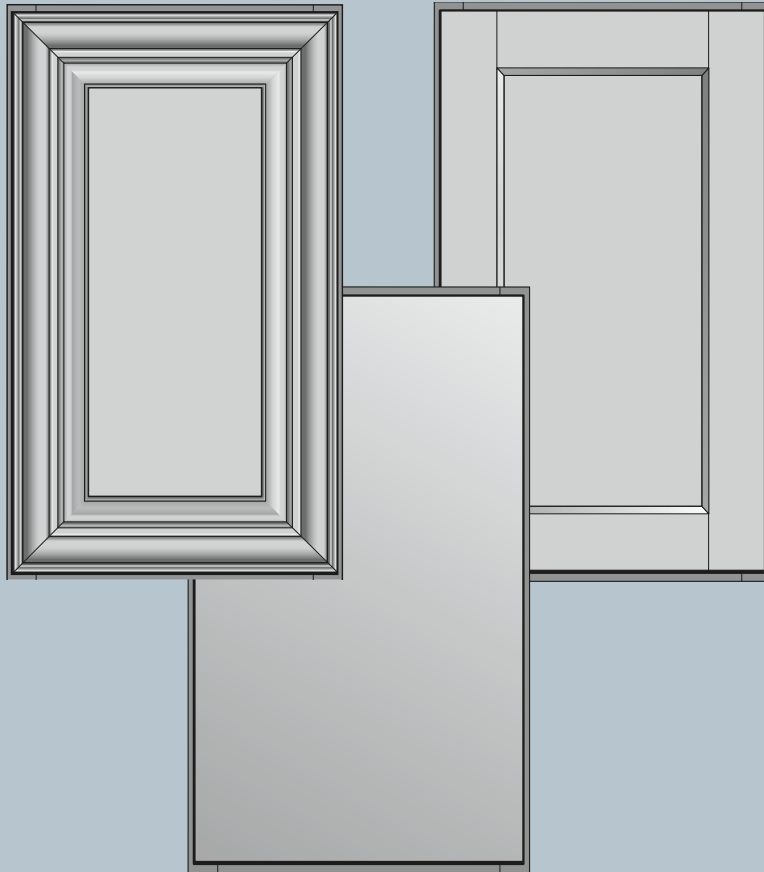
After the manufacturer has had an opportunity to inspect the cabinets and/or accessories, it will, at its discretion, ship at no cost to the customer, replacement cabinets and/or parts necessary for repair. Products may require chemical or function testing to determine resolution of a warranty claim. Replacement products are subject to availability and may differ from those originally supplied.

Submit all claims to 1951 Cabinetry at PO Box 1980, Winchester, VA 22604, partners@woodmark.com, OR 877-957-7278.

Continuous Improvement

In keeping with our policy of continuous product refinement, 1951 Cabinetry reserves the right to change specifications in design and materials as conditions require.

DOOR STYLE COLLECTIONS

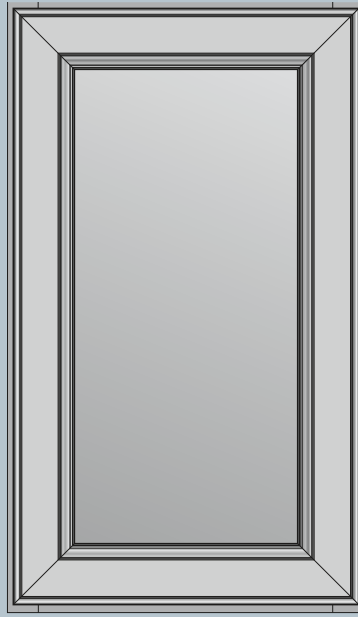


Canyon



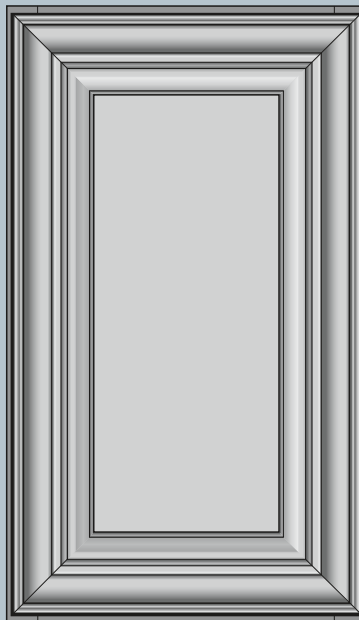
PAGE 12

Durango



PAGE 13

Elderidge



PAGE 14

Elite Series Availability

SPECIES/FINISH AVAILABILITY BY COLLECTION			
	Canyon	Durango	Eldersidge
Finish:			
Cherry Amber	■	■	■
Cherry Clove	■	■	■
Maple Almond	■	■	■
Maple Cider NEW! FINISH	■	■	■
Maple Latte	■	■	■
Maple Rye	■	■	■
Maple Slate	■	■	■
Maple Truffle	■	■	■
Painted Black*	■	■	■
Painted Boulder*	■	■	■
Painted Harbor*	■	■	■
Painted Linen*	■	■	■
Painted Mist*	■	■	■
Painted Navy*	■	■	■
Painted Oat* NEW! FINISH	■	■	■
Painted Sage*	■	■	■
Painted Stone*	■	■	■
Painted Vanilla*	■	■	■
Painted Biscotti Glaze**		■	■
Painted Ember Glaze**		■	■
Painted Pewter Glaze**		■	■
Duraform Breeze NEW! UPDATE	■		
Duraform Drift NEW! UPDATE	■		

*Premium Finish

**Premium Glaze Finish

Canyon

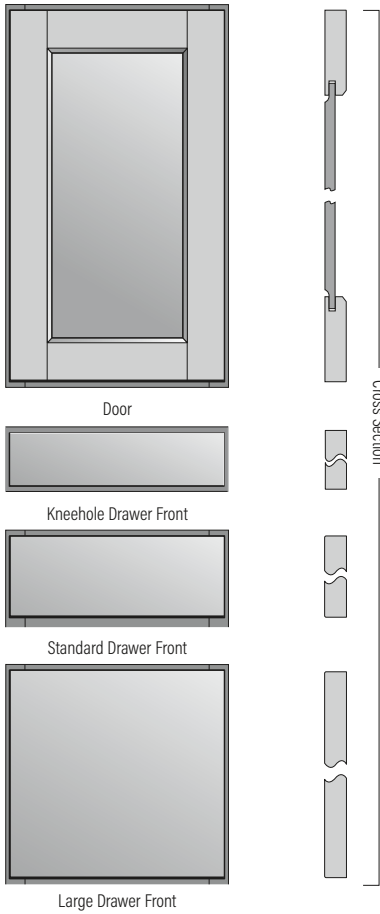
NEW!

FINISHES

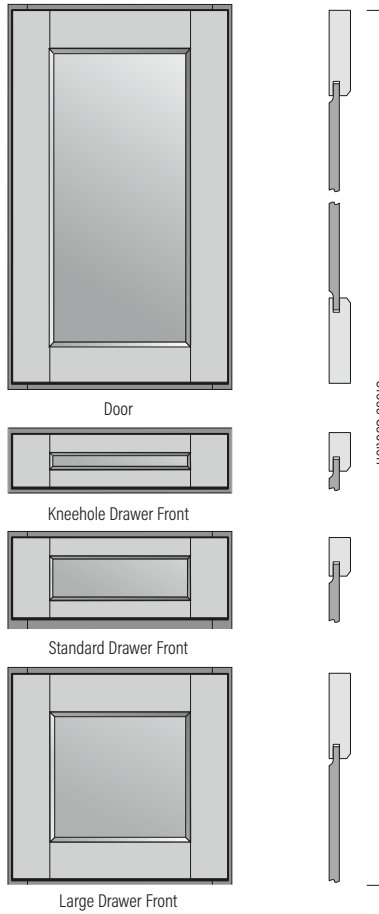
NEW!

UPDATE

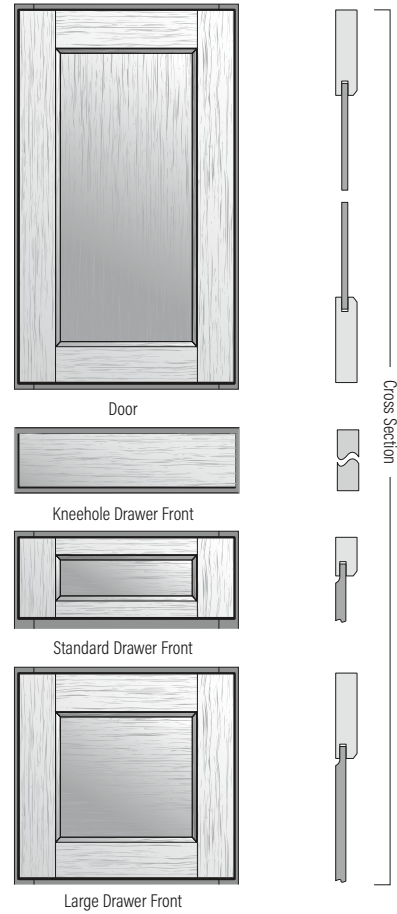
Canyon



Canyon DFO



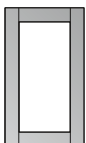
Canyon Duraform DFO (Textured)



Door Style Details

Door Description:	Recessed Panel
Door Rail & Stile Width:	3"
Canyon Drawer Description:	Slab
Canyon DFO Drawer Description:	5-Piece with Recessed Panel
Overlay	Full Overlay (FOL)
Tall Door Details:	Center Rail on 50" High Doors ■
Decorative Hardware:	Required
Duraform Material:	Textured PVC-wrapped
Specialty Doors	OFD (See page 63 for details)

■ Duraform door styles do not have center rails on 50" high doors



OFD

Available Finishes

CHERRY	FINISH	CANYON	CANYON DFO	CANYON DURAFORM DFO (TEXTURED)
	Amber	40CFS	42CFS	-
	Clove	40CTS	42CTS	-
MAPLE	FINISH	CANYON	CANYON DFO	CANYON DURAFORM DFO (TEXTURED)
	Almond	40GGS	42GGS	-
	Cider	40MUS	42MUS	-
	Latte	40GAS	42GAS	-
	Rye	40MTS	42MTS	-
	Slate	40GES	42GES	-
	Truffle	40MBS	42MBS	-
PAINTED	FINISH	CANYON	CANYON DFO	CANYON DURAFORM DFO (TEXTURED)
	Black*	40FDS	42FDS	-
	Boulder*	40MIS	42MIS	-
	Harbor*	40MKS	42MKS	-
	Linen*	40MPS	42MPS	-
	Mist*	40FHS	42FHS	-
	Navy*	40FBS	42FBS	-
	Oat*	40FAS	42FAS	-
	Sage*	40FCS	42FCS	-
	Stone*	40MYS	42MYS	-
	Vanilla*	40FVS	42FVS	-
DURAFORM	FINISH	CANYON	CANYON DFO	CANYON DURAFORM DFO (TEXTURED)
	Breeze (◆ Harbor Cabinet Box)	-	-	42EKA
	Drift (◆ Oat Cabinet Box)	-	-	42EAB

*Premium Finish

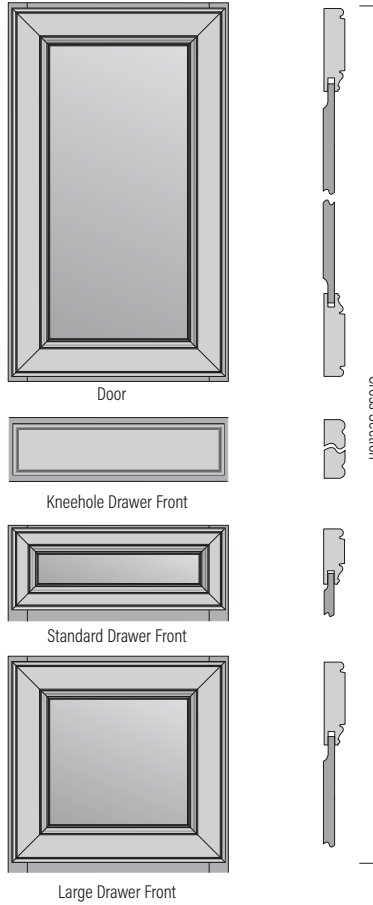
UPDATE: Duraform Breeze and Drift feature new cabinet box finishes

◆ Doors, Drawer Fronts and select SKUs (___DT) are Textured Duraform. All other finished cabinet and accessory surfaces will be in the indicated box finish above.

Durango

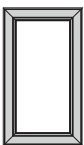
NEW! FINISHES

Durango



Door Style Details

Door Description:	Mitered with Recessed Panel
Door Rail & Stile Width:	3"
Drawer Description:	Mitered 5-Piece with Recessed Panel
Overlay	Full Overlay (FOL)
Tall Door Details:	No Center Rail on 50" High Doors
Decorative Hardware:	Required
Specialty Doors	OFD (See page 63 for details)



OFD

Available Finishes

CHERRY	FINISH	DURANGO
	Amber	54CFS
	Clove	54CTS
MAPLE	FINISH	DURANGO
	Almond	54GGS
	Cider	54MUS
	Latte	54GAS
	Rye	54MTS
	Slate	54GES
	Truffle	54MBS
PAINTED	FINISH	DURANGO
	Black*	54FDS
	Boulder*	54MIS
	Harbor*	54MKS
	Linen*	54MPS
	Mist*	54FHS
	Navy*	54FBS
	Oat*	54FAS
	Sage*	54FCS
	Stone*	54MYS
	Vanilla*	54FVS
PAINTED GLAZE	FINISH	DURANGO
	Biscotti Glaze**	54FVF
	Ember Glaze**	54MKO
	Pewter Glaze**	54MPQ

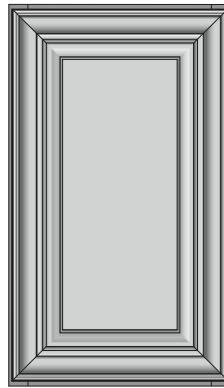
*Premium Finish

**Premium Glaze finish

Elderidge

NEW! FINISHES

Elderidge



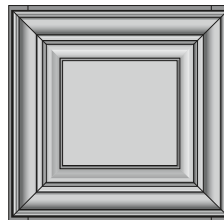
Door



Kneehole Drawer Front



Standard Drawer Front



Large Drawer Front



Cross Section

Door Style Details

Door Description:	Mitered with Raised Panel
Door Rail & Stile Width:	3"
Drawer Description:	Mitered 5-Piece with Raised Panel
Overlay	Full Overlay (FOL)
Tall Door Details:	Center Rail on 50" High Doors
Decorative Hardware:	Required
Specialty Doors	OFD, MFD (See page 63 for details)



OFD



MFD

Available Finishes

CHERRY	FINISH	ELDERIDGE
	Amber	35CFS
	Clove	35CTS
MAPLE	FINISH	ELDERIDGE
	Almond	35GGS
	Cider	35MUS
	Latte	35GAS
	Rye	35MTS
	Slate	35GES
	Truffle	35MBS
PAINTED	FINISH	ELDERIDGE
	Black*	35FDS
	Boulder*	35MIS
	Harbor*	35MKS
	Linen*	35MPS
	Mist*	35FHS
	Navy*	35FBS
	Oat*	35FAS
	Sage*	35FCS
	Stone*	35MYS
	Vanilla*	35FVS
PAINTED GLAZE	FINISH	ELDERIDGE
	Biscotti Glaze**	35FVF
	Ember Glaze**	35MKO
	Pewter Glaze**	35MPQ

*Premium Finish

**Premium Glaze Finish

Notes

Abilene



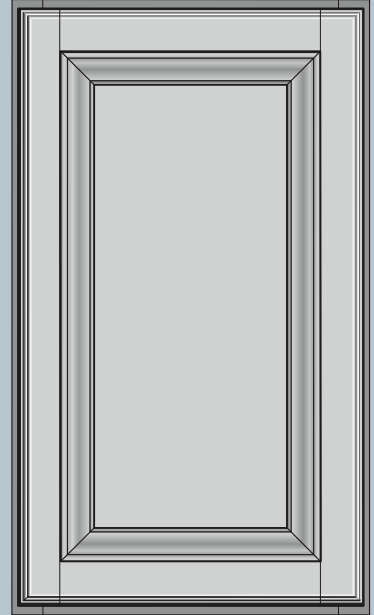
PAGE 18

Belcourt



PAGE 19

Clayton



PAGE 20

Lubbock



PAGE 21

Oxridge



PAGE 22

Premium Series Availability

SPECIES/FINISH AVAILABILITY BY COLLECTION

Finish:	Abilene	Belcourt	Clayton	Lubbock	Oxridge
Cherry Clove	■	■	■	■	
Cherry Amber	■	■	■	■	
Maple Almond	■	■	■	■	■
Maple Cider NEW! FINISH	■	■	■	■	■
Maple Latte	■	■	■	■	■
Maple Rye	■	■	■	■	■
Maple Slate	■	■	■	■	■
Maple Truffle	■	■	■	■	■
Painted Black*	■	■	■	■	■
Painted Boulder*	■	■	■	■	■
Painted Harbor*	■	■	■	■	■
Painted Linen*	■	■	■	■	■
Painted Mist*	■	■	■	■	■
Painted Navy*	■	■	■	■	■
Painted Oat* NEW! FINISH	■	■	■	■	■
Painted Sage*	■	■	■	■	■
Painted Stone*	■	■	■	■	■
Painted Vanilla*	■	■	■	■	■
Painted Biscotti Glaze**	■		■		■
Painted Ember Glaze**	■		■		■
Painted Pewter Glaze**	■		■		■
Duraform Breeze NEW! UPDATE				■	
Duraform Drift NEW! UPDATE				■	

*Premium Finish

**Premium Glaze Finish

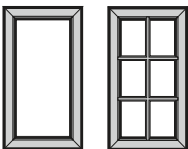
Abilene

NEW! FINISHES



Door Style Details

Door Description:	Mitered with Recessed Panel
Door Rail & Stile Width:	2 1/4"
Abilene Drawer Description:	Slab
Abilene DFO Drawer Description:	Mitered 5-Piece with Recessed Panel
Overlay	Full Overlay (FOL)
Tall Door Details:	No Center Rail on 50" High Doors
Decorative Hardware:	Required
Specialty Doors:	OFD, MFD (See page 63 for details)



OFD

MFD

Available Finishes

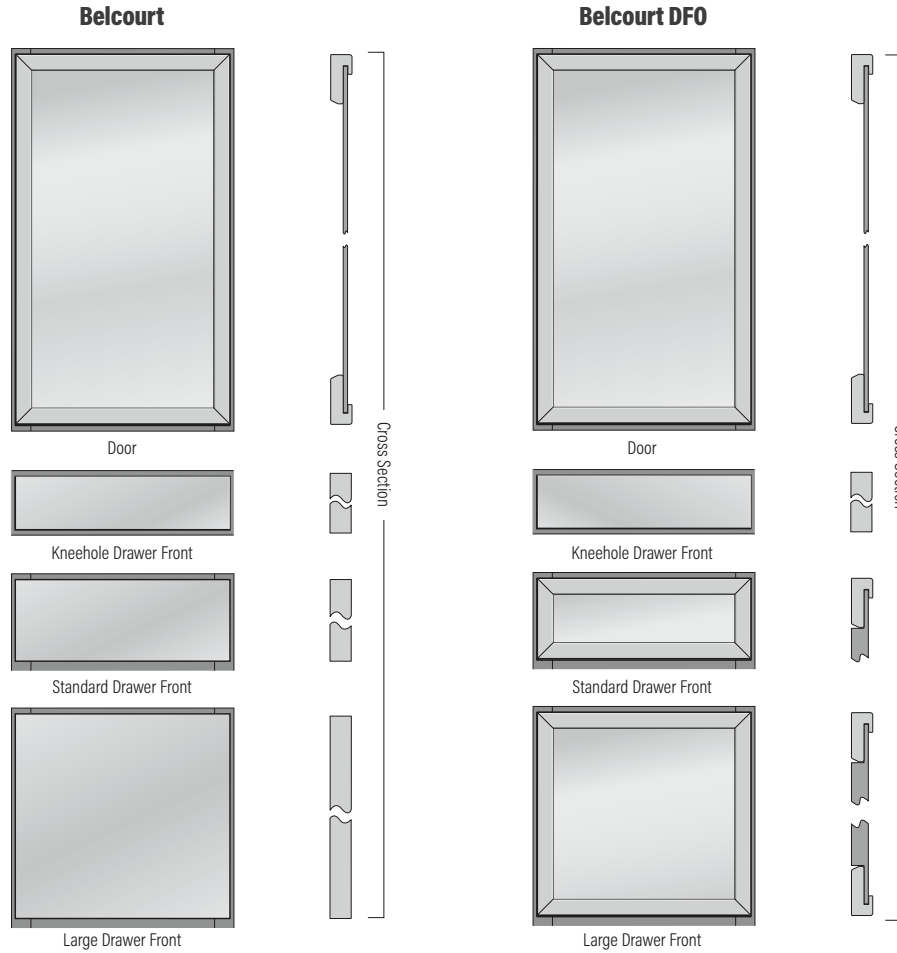
CHERRY	FINISH	ABILENE	ABILENE DFO
	Amber	20CFS	30CFS
	Clove	20CTS	30CTS
MAPLE	FINISH	ABILENE	ABILENE DFO
	Almond	20GGS	30GGS
	Cider	20MUS	30MUS
	Latte	20GAS	30GAS
	Rye	20MTS	30MTS
	Slate	20GES	30GES
	Truffle	20MBS	30MBS
PAINTED	FINISH	ABILENE	ABILENE DFO
	Black*	20FDS	30FDS
	Boulder*	20MIS	30MIS
	Harbor*	20MKS	30MKS
	Linen*	20MPS	30MPS
	Mist*	20FHS	30FHS
	Navy*	20FBS	30FBS
	Oat*	20FAS	30FAS
	Sage*	20FCS	30FCS
	Stone*	20MYS	30MYS
	Vanilla*	20FVS	30FVS
PAINTED GLAZE	FINISH	ABILENE	ABILENE DFO
	Biscotti Glaze**	20FVF	30FVF
	Ember Glaze**	20MKO	30MKO
	Pewter Glaze**	20MPQ	30MPQ

*Premium Finish

**Premium Glaze Finish

Belcourt

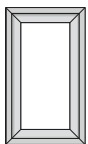
NEW! FINISHES



Door Style Details

Door Description:	Mitered with Recessed Panel
Door Rail & Stile Width:	3/4" (2 1/4" on OFD)
Belcourt Drawer Description:	Slab
Belcourt DFO Drawer Description:	Mitered 5-Piece with Recessed Panel
Overlay	Full Overlay (FOL)
Tall Door Details:	No Center Rail on 50" High Doors
Decorative Hardware:	Required ■
Specialty Doors:	OFD (See page 63 for details)

■ Cannot drill more than 1 1/2" from all edges of door



OFD

Available Finishes

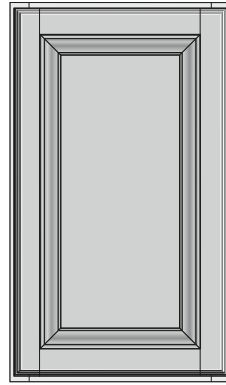
CHERRY	FINISH	BELCOURT	BELCOURT DFO
	Amber	78CFS	79CFS
	Clove	78CTS	79CTS
MAPLE	FINISH	BELCOURT	BELCOURT DFO
	Almond	78GGS	79GGS
	Cider	78MUS	79MUS
	Latte	78GAS	79GAS
	Rye	78MTS	79MTS
	Slate	78GES	79GES
	Truffle	78MBS	79MBS
PAINTED*	FINISH	BELCOURT	BELCOURT DFO
	Black*	78FDS	79FDS
	Boulder*	78MIS	79MIS
	Harbor*	78MKS	79MKS
	Linen*	78MPS	79MPS
	Mist*	78FHS	79FHS
	Navy*	78FBS	79FBS
	Oat*	78FAS	79FAS
	Sage*	78FCS	79FCS
	Stone*	78MYS	79MYS
	Vanilla*	78FVS	79FVS

*Premium Finish

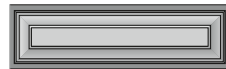
Clayton

NEW! FINISHES

Clayton



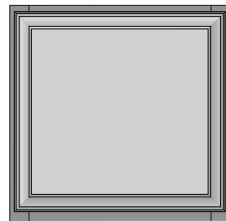
Door



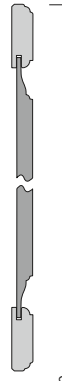
Kneehole Drawer Front



Standard Drawer Front



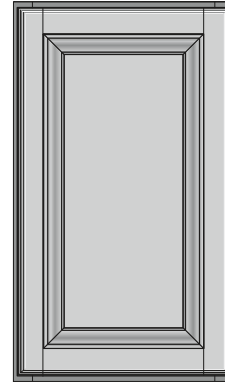
Large Drawer Front



Cross Section



Clayton DFO



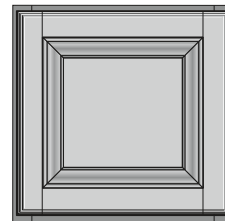
Door



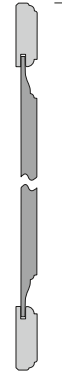
Kneehole Drawer Front



Standard Drawer Front



Large Drawer Front

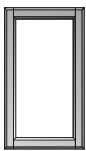


Cross Section



Door Style Details

Door Description:	Raised Panel
Door Rail & Stile Width:	2 1/4"
Clayton Drawer Description:	Detailed Slab
Clayton DFO Drawer Description:	5-Piece with Raised Panel
Overlay	Full Overlay (FOL)
Tall Door Details:	Center Rail on 50" High Doors
Decorative Hardware:	Required
Specialty Doors:	OFD, MFD (See page 63 for details)



OFD



MFD

Available Finishes

CHERRY	FINISH	CLAYTON	CLAYTON DFO
	Amber	44CFS	47CFS
	Clove	44CTS	47CTS
MAPLE	FINISH	CLAYTON	CLAYTON DFO
	Almond	44GGS	47GGS
	Cider	44MUS	47MUS
	Latte	44GAS	47GAS
	Rye	44MTS	47MTS
	Slate	44GES	47GES
	Truffle	44MBS	47MBS
PAINTED	FINISH	CLAYTON	CLAYTON DFO
	Black*	44FDS	47FDS
	Boulder*	44MIS	47MIS
	Harbor*	44MKS	47MKS
	Linen*	44MPS	47MPS
	Mist*	44FHS	47FHS
	Navy*	44FBS	47FBS
	Oat*	44FAS	47FAS
	Sage*	44FCS	47FCS
	Stone*	44MYS	47MYS
	Vanilla*	44FVS	47FVS
PAINTED GLAZE	FINISH	CLAYTON	CLAYTON DFO
	Biscotti Glaze**	44FVF	47FVF
	Ember Glaze**	44MKO	47MKO
	Pewter Glaze**	44MPQ	47MPQ

*Premium Finish

**Premium Glaze Finish

Lubbock

NEW!

FINISHES

NEW!

UPDATE

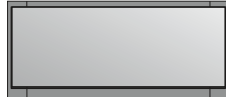
Lubbock



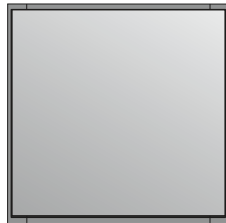
Door



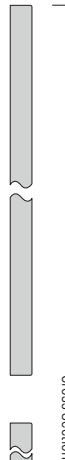
Kneehole Drawer Front



Standard Drawer Front



Large Drawer Front



Cross Section

Lubbock Duraform (Textured)



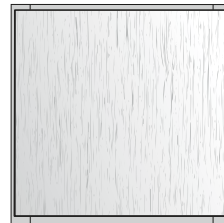
Door



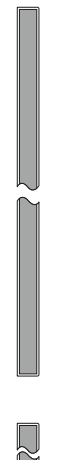
Kneehole Drawer Front



Standard Drawer Front



Large Drawer Front

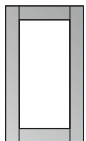


Cross Section

Door Style Details

Door Description:	Slab ■
Door Rail & Stile Width:	3" (on OFD doors)
Drawer Description:	Slab ■
Overlay	Full Overlay (FOL)
Tall Door Details:	No Center Rail on 50" High Doors
Duraform Material:	Textured PVC-wrapped
Decorative Hardware:	Required
Specialty Doors:	OFD (See page 63 for details)

■ Stained and Duraform finishes feature edge-banding on all sides



OFD

Available Finishes

CHERRY	FINISH	LUBBOCK	LUBBOCK DURAFORM (TEXTURED)
	Amber	39CFS	-
	Clove	39CTS	-
MAPLE	FINISH	LUBBOCK	LUBBOCK DURAFORM (TEXTURED)
	Almond	39GGS	-
	Cider	39MUS	-
	Latte	39GAS	-
	Rye	39MTS	-
	Slate	39GES	-
	Truffle	39MBS	-
PAINTED	FINISH	LUBBOCK	LUBBOCK DURAFORM (TEXTURED)
	Black*	39FDS	-
	Boulder*	39MIS	-
	Harbor*	39MKS	-
	Linen*	39MPS	-
	Mist*	39FHS	-
	Navy*	39FBS	-
	Oat*	39FAS	-
	Sage*	39FCS	-
	Stone*	39MYS	-
	Vanilla*	39FVS	-
DURAFORM	FINISH	LUBBOCK	LUBBOCK DURAFORM (TEXTURED)
	Breeze (◆ Harbor Cabinet Box)	-	39EKA
	Drift (◆ Oat Cabinet Box)	-	39EAB

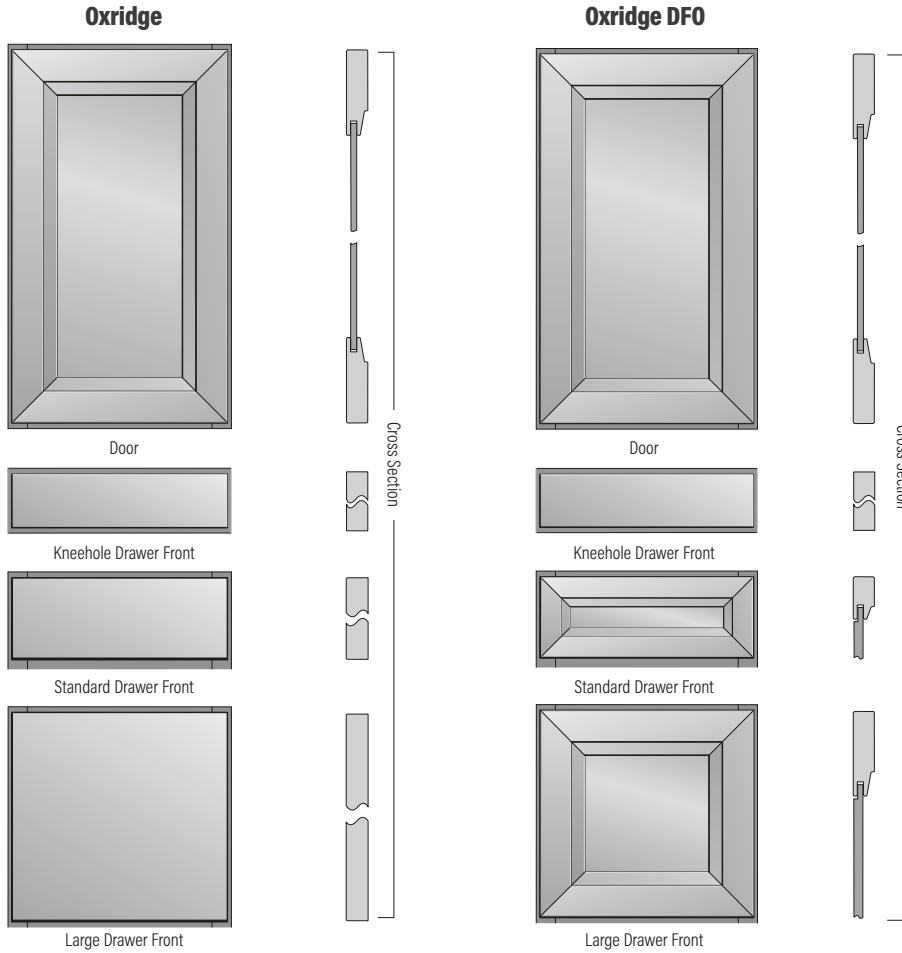
*Premium Finish

UPDATE: Duraform Breeze and Drift feature new cabinet box finish

◆ Doors, Drawer Fronts and select SKUs (___DT) are Textured Duraform. All other finished cabinet and accessory surfaces will be in the indicated box finish above.

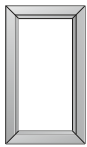
Oxridge

NEW! FINISHES



Door Style Details

Door Description:	Mitered with Recessed Panel
Door Rail & Stile Width:	3"
Oxridge Drawer Description:	Slab
Oxridge DFO Drawer Description:	Mitered 5-Piece with Recessed Panel
Overlay	Full Overlay (FOL)
Tall Door Details:	No Center Rail on 50" High Doors
Decorative Hardware:	Required
Specialty Doors:	OFD (See page 63 for details)



OFD

Available Finishes

MAPLE	FINISH	OXRIDGE	OXRIDGE DFO
	Almond	57GGS	58GGS
	Cider	57MUS	58MUS
	Latte	57GAS	58GAS
	Rye	57MTS	58MTS
	Slate	57GES	58GES
	Truffle	57MBS	58MBS
PAINTED	FINISH	OXRIDGE	OXRIDGE DFO
	Black*	57FDS	58FDS
	Boulder*	57MIS	58MIS
	Harbor*	57MKS	58MKS
	Linen*	57MPS	58MPS
	Mist*	57FHS	58FHS
	Navy*	57FBS	58FBS
	Oat*	57FAS	58FAS
	Sage*	57FCS	58FCS
	Stone*	57MYS	58MYS
	Vanilla*	57FVS	58FVS
PAINTED GLAZE	FINISH	OXRIDGE	OXRIDGE DFO
	Biscotti Glaze**	57FVF	58FVF
	Ember Glaze**	57MKO	58MKO
	Pewter Glaze**	57MPQ	58MPQ

*Premium Finish

**Premium Glaze Finish

Notes

Bandera



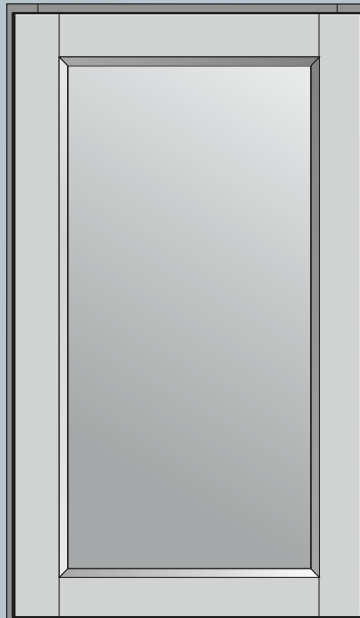
PAGE 26

Cooper



PAGE 27

Denver



PAGE 28

Prime Series Availability

SPECIES/FINISH AVAILABILITY BY COLLECTION

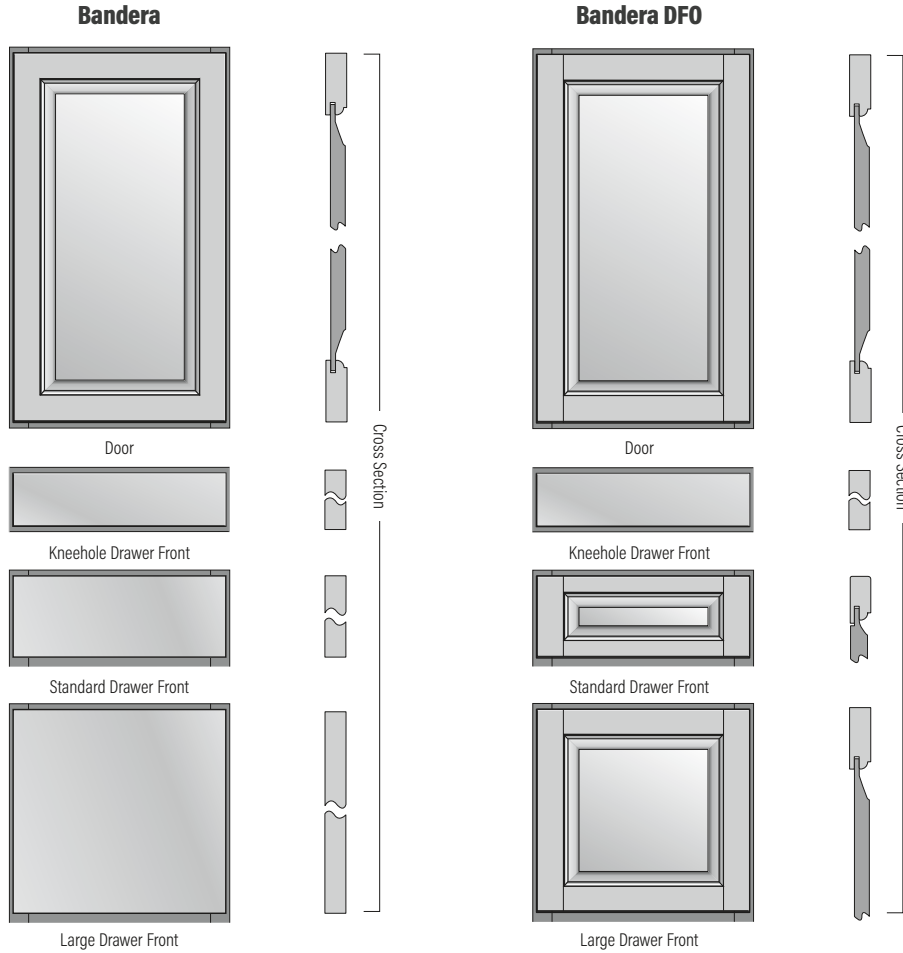
	Bandera	Cooper	Denver
Finish:			
Cherry Clove			■
Cherry Amber			■
Maple Almond	■	■	■
Maple Cider NEW! FINISH	■	■	■
Maple Latte	■	■	■
Maple Rye	■	■	■
Maple Slate	■	■	■
Maple Truffle	■	■	■
Painted Black*	■	■	■
Painted Boulder*	■	■	■
Painted Harbor*	■	■	■
Painted Linen*	■	■	■
Painted Mist*	■	■	■
Painted Navy*	■	■	■
Painted Oat* NEW! FINISH	■	■	■
Painted Sage*	■	■	■
Painted Stone*	■	■	■
Painted Vanilla*	■	■	■
Painted Biscotti Glaze**	■	■	
Painted Ember Glaze**	■	■	
Painted Pewter Glaze**	■	■	
Duraform Espresso			■
Duraform Harbor			■
Duraform Linen			■
Duraform Stone			■

*Premium Finish

**Premium Glaze Finish

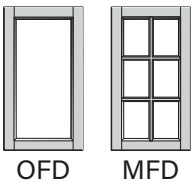
Bandera

NEW! FINISHES



Door Style Details

Door Description:	Raised Panel
Door Rail & Stile Width:	2 1/4"
Bandera Drawer Description:	Slab
Bandera DFO Drawer Description:	5-Piece with Raised Panel
Overlay	Full Overlay (FOL)
Tall Door Details:	Center Rail on 50" High Doors
Decorative Hardware:	Required
Specialty Doors:	OFD, MFD (See page 63 for details)



Available Finishes

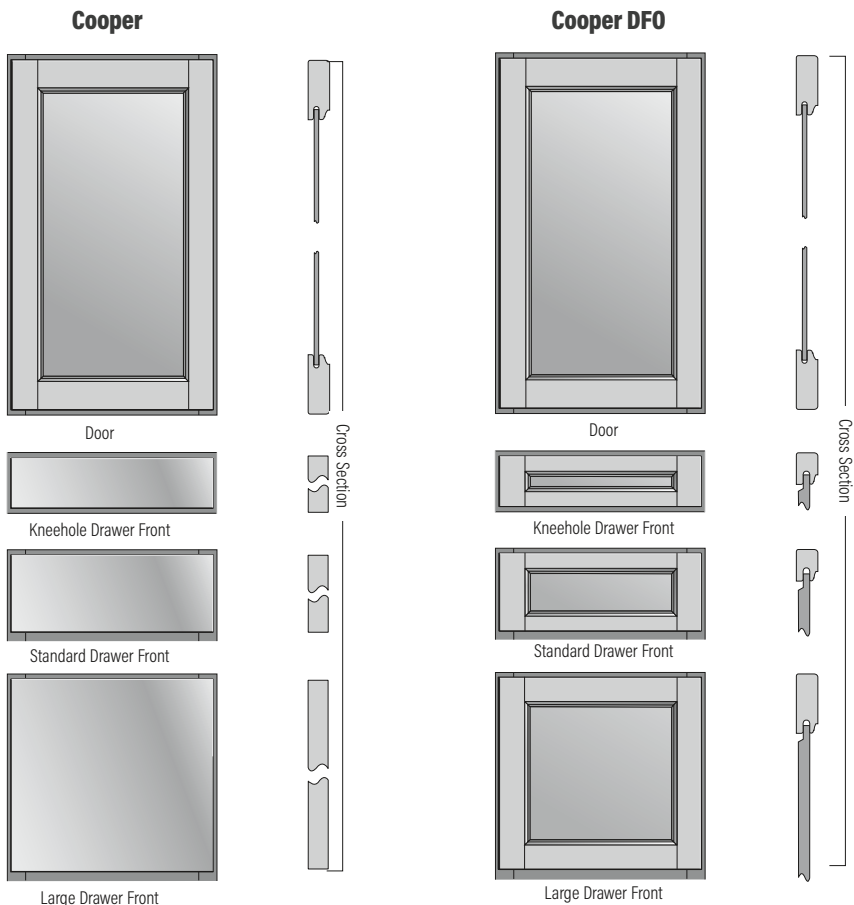
MAPLE	FINISH	BANDERA	BANDERA DFO
	Almond	69GGS	70GGS
	Cider	69MUS	70MUS
	Latte	69GAS	70GAS
	Rye	69MTS	70MTS
	Slate	69GES	70GES
	Truffle	69MBS	70MBS
PAINTED	FINISH	BANDERA	BANDERA DFO
	Black*	69FDS	70FDS
	Boulder*	69MIS	70MIS
	Harbor*	69MKS	70MKS
	Linen*	69MPS	70MPS
	Mist*	69FHS	70FHS
	Navy*	69FBS	70FBS
	Oat*	69FAS	70FAS
	Sage*	69FCS	70FCS
	Stone*	69MYS	70MYS
	Vanilla*	69FVS	70FVS
PAINTED GLAZE	FINISH	BANDERA	BANDERA DFO
	Biscotti Glaze**	69FVF	70FVF
	Ember Glaze**	69MKO	70MKO
	Pewter Glaze**	69MPQ	70MPQ

*Premium Finish

**Premium Glaze Finish

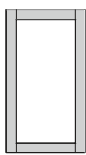
Cooper

NEW! FINISHES



Door Style Details

Door Description:	Recessed Panel
Door Rail & Stile Width:	2 1/4"
Cooper Drawer Description:	Slab
Cooper DFO Drawer Description:	5-Piece with Recessed Panel
Overlay	Full Overlay (FOL)
Tall Door Details:	Center Rail on 50" High Doors
Decorative Hardware:	Required
Specialty Doors:	OFD (See page 63 for details)



OFD

Available Finishes

MAPLE	FINISH	COOPER	COOPER DFO
	Almond	74GGS	75GGS
	Cider	74MUS	75MUS
	Latte	74GAS	75GAS
	Rye	74MTS	75MTS
	Slate	74GES	75GES
	Truffle	74MBS	75MBS
PAINTED	FINISH	COOPER	COOPER DFO
	Black*	74FDS	75FDS
	Boulder*	74MIS	75MIS
	Harbor*	74MKS	75MKS
	Linen*	74MPS	75MPS
	Mist*	74FHS	75FHS
	Navy*	74FBS	75FBS
	Oat*	74FAS	75FAS
	Sage*	74FCS	75FCS
	Stone*	74MYS	75MYS
	Vanilla*	74FVS	75FVS
PAINTED GLAZE	FINISH	BANDERA	BANDERA DFO
	Biscotti Glaze**	74FVF	75FVF
	Ember Glaze**	74MKO	75MKO
	Pewter Glaze**	74MPQ	75MPQ

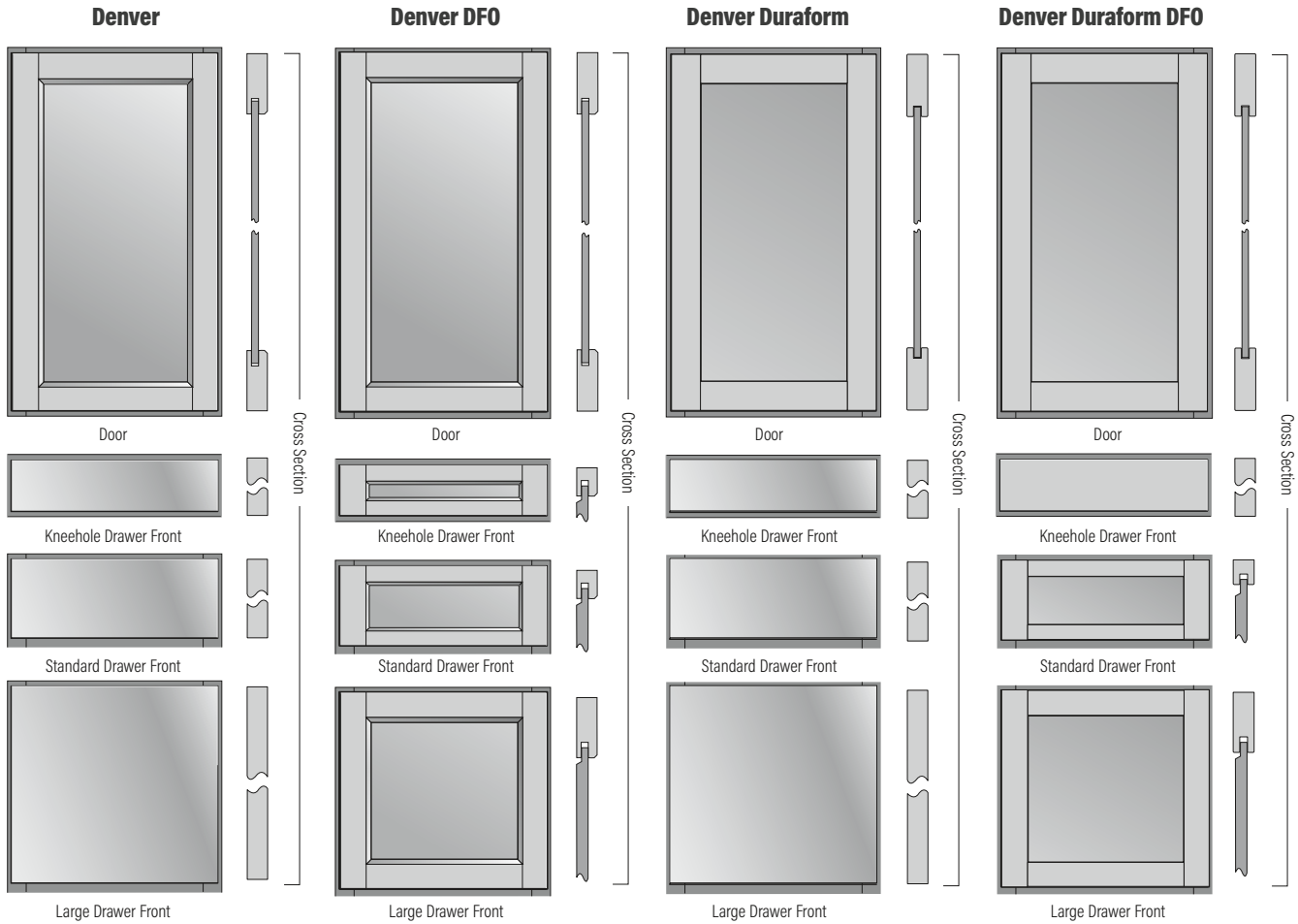
*Premium Finish

**Premium Glaze Finish

Denver

NEW! FINISHES

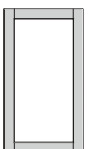
DOOR STYLES



Door Style Details

Door Description:	Recessed Panel
Door Rail & Stile Width:	2 1/4"
Denver Drawer Description:	Slab
Denver DFO Drawer Description:	5-Piece with Recessed Panel
Overlay	Full Overlay (FOL)
Tall Door Details:	Center Rail on 50" High Doors ■
Decorative Hardware:	Required
Duraform Material:	Polypropylene
Specialty Doors:	OFD (See page 63 for details)

■ Duraform door styles do not have center rails on 50" high doors



OFD

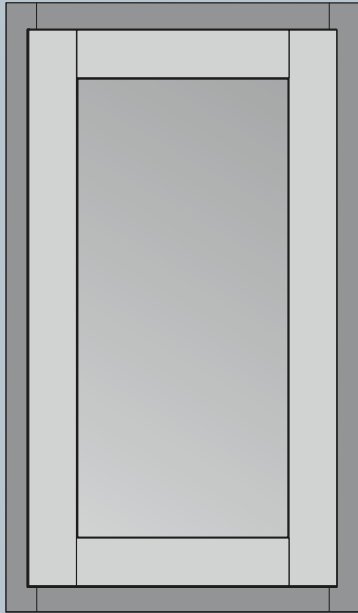
Available Finishes

CHERRY	FINISH	DENVER	DENVER DFO	DENVER DURAFORM	DENVER DURAFORM DFO
	Amber	28CFS	29CFS	-	-
	Clove	28CTS	29CTS	-	-
MAPLE	FINISH	DENVER	DENVER DFO	DENVER DURAFORM	DENVER DURAFORM DFO
	Almond	28GGS	29GGS	-	-
	Cider	28MUS	29MUS	-	-
	Latte	28GAS	29GAS	-	-
	Rye	28MTS	29MTS	-	-
	Slate	28GES	29GES	-	-
	Truffle	28MBS	29MBS	-	-
PAINTED	FINISH	DENVER	DENVER DFO	DENVER DURAFORM	DENVER DURAFORM DFO
	Black*	28FDS	29FDS	-	-
	Boulder*	28MIS	29MIS	-	-
	Harbor*	28MKS	29MKS	-	-
	Linen*	28MPS	29MPS	-	-
	Mist*	28FHS	29FHS	-	-
	Navy*	28FBS	29FBS	-	-
	Oat*	28FAS	29FAS	-	-
	Sage*	28FCS	29FCS	-	-
	Stone*	28MYS	29MYS	-	-
	Vanilla*	28FVS	29FVS	-	-
DURAFORM	FINISH	DENVER	DENVER DFO	DENVER DURAFORM	DENVER DURAFORM DFO
	Espresso	-	-	28EJS	29EJS
	Harbor	-	-	28EKS	29EKS
	Linen	-	-	28EPS	29EPS
	Stone	-	-	28EYS	29EYS

*Premium Finish

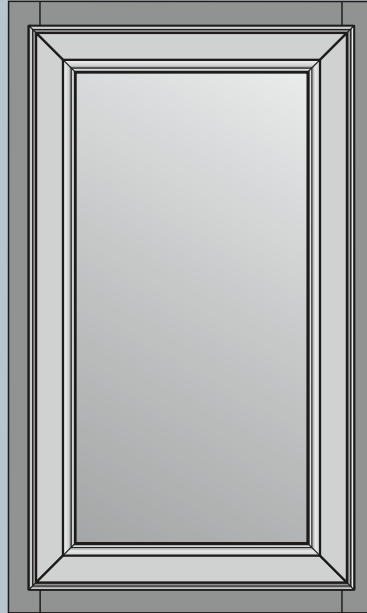
Notes

Barren



PAGE 32

Carson



PAGE 33

Choice Series Availability

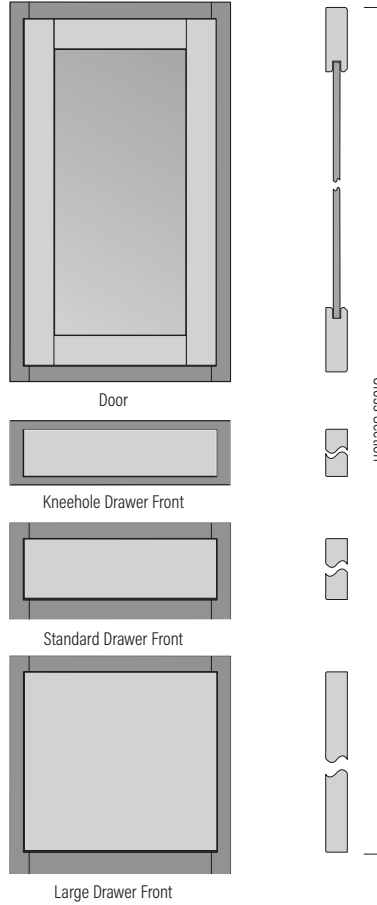
SPECIES/FINISH AVAILABILITY BY COLLECTION		
	Barren	Carson
Finish:		
Maple Almond	■	
Maple Cider NEW! FINISH	■	
Maple Latte	■	
Maple Rye	■	
Maple Slate	■	
Maple Truffle	■	
Painted Black*	■	
Painted Boulder*	■	
Painted Harbor*	■	
Painted Linen*	■	
Painted Mist*	■	
Painted Navy*	■	
Painted Oat* NEW! FINISH	■	
Painted Sage*	■	
Painted Stone*	■	
Painted Vanilla*	■	
Duraform Espresso	■	■
Duraform Harbor	■	■
Duraform Linen	■	■
Duraform Stone	■	■

*Premium Finish

Barren

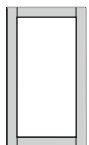
NEW! FINISHES

Barren



Door Style Details

Door Description:	Recessed Panel
Door Rail & Stile Width:	2 ¼"
Drawer Description:	Slab
Overlay	Partial Overlay (POL)
Tall Door Details:	No Center Rail on 50" High Doors
Decorative Hardware:	Recommended
Specialty Doors:	OFD (See page 63 for details)

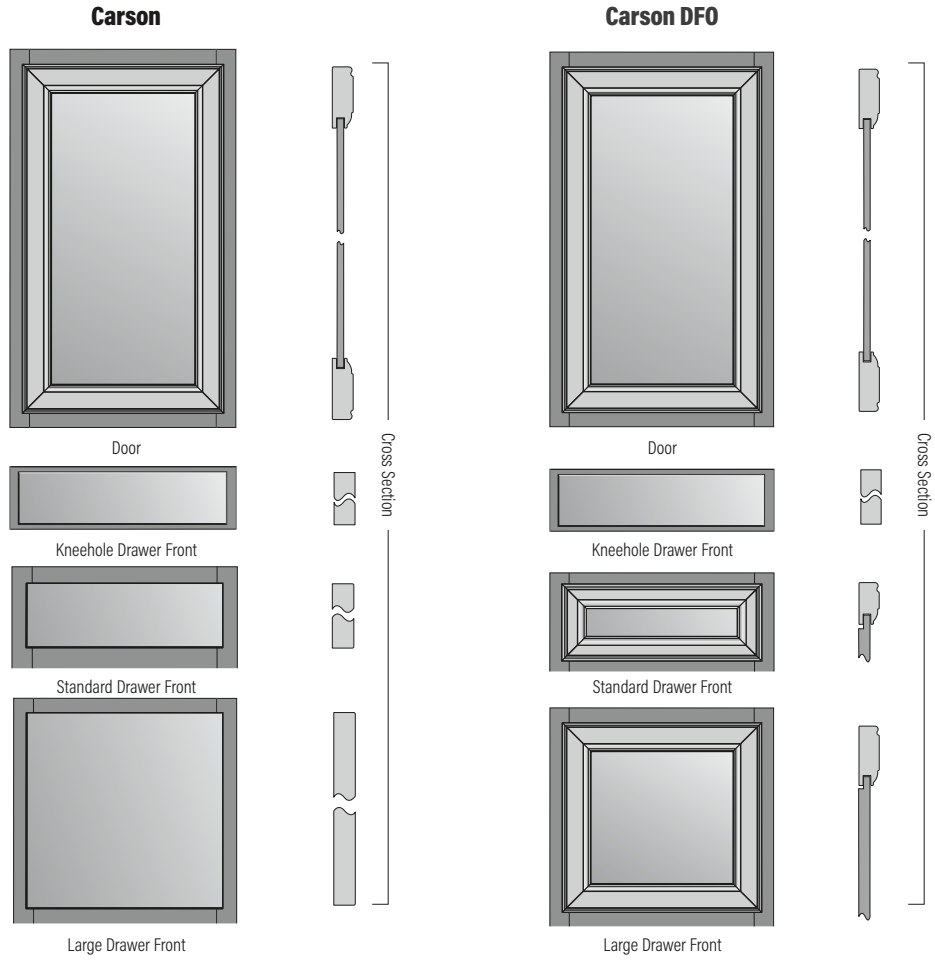


OFD

Available Finishes

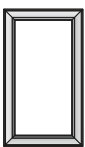
MAPLE	FINISH	BARREN
	Almond	19GGS
	Cider	19MUS
	Latte	19GAS
	Rye	19MTS
	Slate	19GES
	Truffle	19MBS
PAINTED	FINISH	BARREN
	Black*	19FDS
	Boulder*	19MIS
	Harbor*	19MKS
	Linen*	19MPS
	Mist*	19FHS
	Navy*	19FBS
	Oat*	19FAS
	Sage*	19FCS
	Stone*	19MYS
	Vanilla*	19FVS
DURAFORM	FINISH	BARREN
	Espresso	19EJS
	Harbor	19EKS
	Linen	19EPS
	Stone	19EYS

*Premium Finish



Door Style Details

Door Description:	Mitered with Recessed Panel
Door Rail & Stile Width:	2 1/4"
Carson Drawer Description:	Slab
Carson DFO Drawer Description:	5-Piece with Recessed Panel
Overlay	Partial Overlay (POL)
Tall Door Details:	No Center Rail on 50" High Doors
Decorative Hardware:	Recommended
Specialty Doors:	OFD (See page 63 for details)



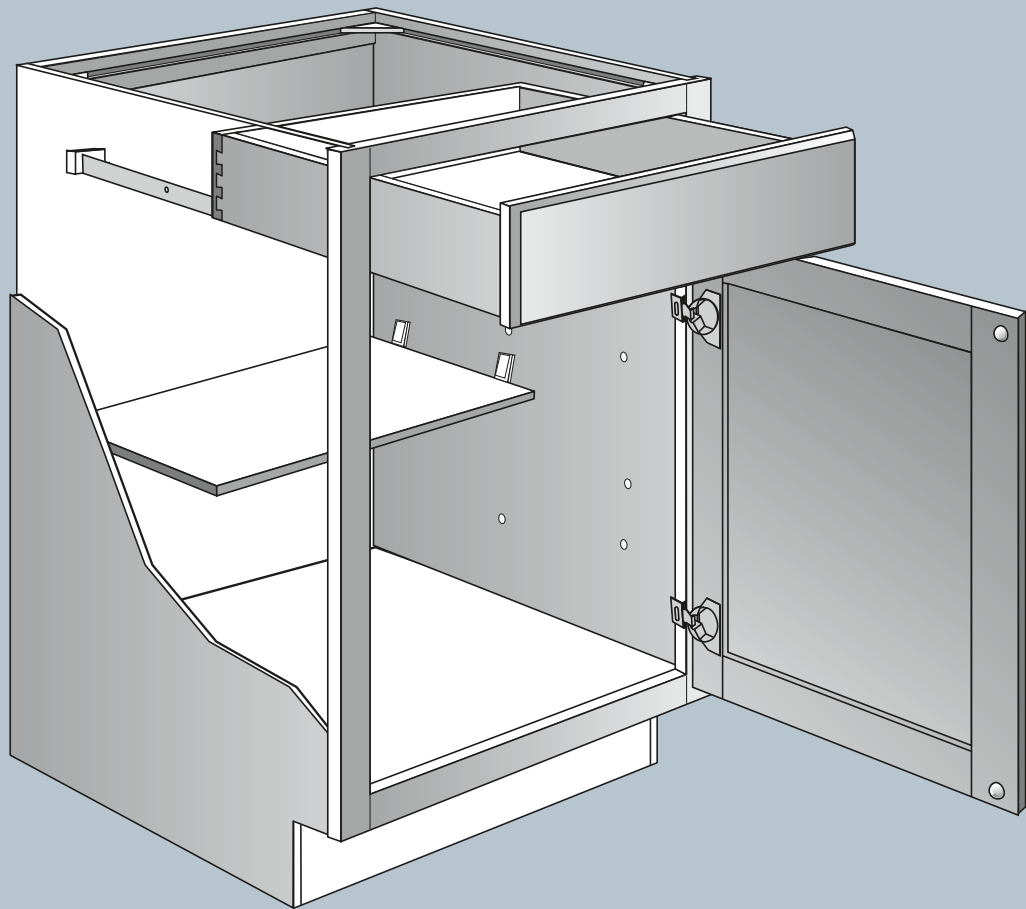
OFD

Available Finishes

DURAFORM	FINISH	CARSON	CARSON DFO
	Espresso	08EJS	18EJS
	Harbor	08EKS	18EKS
	Linen	08EPS	18EPS
	Stone	08EYS	18EYS

Notes

STANDARD CABINET SPECIFICATIONS



KCMA Certified

All cabinetry manufactured by 1951 Cabinetry is certified by the Kitchen Cabinet Manufacturers Association (KCMA).

KCMA sets the American National Standards Institute/ KCMA 161.1- 2000 uniform performance and construction standards for kitchen and vanity cabinets. The program is referenced by U.S. government agencies, architects, builders, remodelers, and other specifiers.

Cabinets that bear the KCMA seal of certification are recognized as a quality product with the ability to perform after a rigorous battery of tests, simulating years of typical household use. Tests are performed by approved third-party independent laboratories.

1951 Cabinetry is proud to display the KCMA seal of certification for cabinet construction.



Environmentally Responsible Stewardship

As a leading U.S. manufacturer of fine cabinetry, 1951 Cabinetry, a division of American Woodmark Corporation, is committed to conducting business in a manner that both protects the environment and safeguards public health and safety. To achieve this end, the company proactively identifies potential environmental risks and monitors compliance with appropriate federal, state, local, and internal standards.

1951 Cabinetry has received certification by the Kitchen Cabinet Manufacturers Association (KCMA) Environmental Stewardship Program on all products. The certification was awarded based on compliance across a broad range of activity including air quality, product resource management, process resource management, environmental stewardship, and community relations.

1951 Cabinetry works with all suppliers to encourage sustainable forestry practices. Particle board and plywood are purchased from suppliers that meet the Composite Panel Association requirements for Environmentally Preferable Products including formaldehyde emissions that comply with ANSI standards.

1951 Cabinetry uses leading edge technologies to limit both hazardous and non-hazardous emissions, byproducts, and waste. Ongoing, formal programs identify opportunities for recycling and reusing materials. When waste ultimately requires disposal, steps are taken to minimize the environmental impact.

The American Woodmark Foundation supports local programs serving the community, including activities focused on maintaining the quality of life.

1951 Cabinetry is dedicated to doing our part in the preservation and sustainability of the environment.



KITCHEN CABINET MANUFACTURERS ASSOCIATION
ENVIRONMENTAL STEWARDSHIP PROGRAM (ESPP)
ALL PRODUCTS SUPPORT THE ENVIRONMENT
FOR ESP PROGRAM CERTIFIED 1951-KCMA-2006

Continuous Improvement

In keeping with our policy of continuous product refinement, 1951 Cabinetry reserves the right to change specifications in design and materials as conditions require.

Standard Cabinet Specifications

Cabinet Front Face Frames

Cabinet front face frames are made from $\frac{3}{4}$ " x $1\frac{5}{8}$ " kiln-dried solid wood and/or engineered materials to prevent warping and provide superior strength, durability and finished appearance. Face frame joints are precision fixtured, pressure fitted and mechanically fastened.

Cabinet Side Panels

Cabinet side panels are $\frac{1}{2}$ " thick engineered wood. The exterior sides match cabinet finish and interior sides are finished with a natural woodgrain look. They are captured into a grooved front face frame and secured using high-strength fasteners and glue.

Cabinet Tops, Bottoms, and Floors

Tops, bottoms, and floors are $\frac{1}{2}$ " thick engineered wood. The exterior and interiors are finished with a natural woodgrain look. They are fitted and glued into the cabinet front face frame grooves, then captured in the grooves of the cabinet side panels.

Cabinet Back

The cabinet back is made from $\frac{1}{8}$ " thick hardboard substrate. The inside cabinet surface is finished with a natural woodgrain look.

Hanging Rails

The base and vanity top hanging rail is $\frac{3}{4}$ " thick solid wood, glued to the cabinet side panels. The wall cabinet hanging rails are $\frac{1}{2}$ " thick engineered wood, glued and mechanically fastened into the cabinet back, cabinet side panels and top/bottom.

Cabinet Shelves

All cabinet shelves are $\frac{3}{4}$ " thick engineered wood. The shelves are finished with a natural woodgrain look and are edge banded on one side. Wall (excluding 24" deep) and Desk cabinets feature full-depth shelves. Base and 24" Deep Wall cabinet feature half-depth shelves. All shelves are adjustable and meet KCMA load standards of 15 pounds per square foot. Full-Depth Shelf Option is available for Base cabinets.

Corner Blocks

Corner blocks are attached to help ensure cabinet squareness and allow for proper countertop installation.

Drawer Systems

Engineered wood drawers with printed MDF bottoms and side-mounted drawer glides. All drawers meet KCMA load standards of 15 pounds per square foot. CushionClose Full-Extension Dovetail Drawer Option is available.

Sliding Shelves

Sliding shelves feature engineered wood with printed MDF bottoms and side-mounted drawer glides. All drawers meet KCMA load standards of 15 pounds per square foot. CushionClose Full-Extension Dovetail Sliding Shelf Option is available.

Hinges

Fully concealed, self-closing hidden hinges are standard for all door styles. CushionClose Hinge Option is available.

Inset Toe Kick

Inset toe kicks are constructed of $\frac{1}{2}$ " thick unfinished engineered wood. Standard toe kick dimensions are 4" high and recessed $3\frac{1}{2}$ ".

BTK8 or BTK8 DT (matching toe kick) required for installation.

Finishing Systems and Cabinet Care

Finishing Systems

The finishing systems used on our products are designed to ensure the beauty and durability of our cabinetry. State-of-the-art equipment allows precise sanding, filling, and finish coverage of each of our products. Our products are extremely resistant to stains and surface damage that can be caused by common household chemicals. Our products exceed KCMA and ANSI standards for resistance to stains like coffee, grape juice, and moisture.

Cabinet Care

Remove dust from cabinets frequently with a soft lint-free cloth. The cloth may be slightly dampened with water. Do not use a paste wax type material. Wax build-up is difficult to remove and will leave a residue that attracts dust and moisture. Polishes containing silicon should not be used. Clean spills immediately. Use a clean cloth and mild soap if necessary. Wipe dry with a clean soft cloth. Do not use detergents, citrus cleaners or ammonia-based cleaners, chlorine-based cleaners, steel wool, soap pads, or abrasive cleaners on cabinets.

Extra care should be taken that cabinet finishes are not exposed to heat in excess of 200° Fahrenheit. Do not place or mount small appliances beneath wall cabinets. These appliances (such as coffee makers and toasters) can produce excessive heat, which can damage the finish of cabinets. Do not expose doors or drawer fronts to heat created from self-cleaning ovens or ranges. For more cabinet care information, please visit www.1951cabinetry.com/about/resource-center.

Allow Cabinets To Age Beautifully

Our cabinets showcase the careful selection of natural and engineered materials to achieve the best possible look. While every effort is made to match wood grain as closely as possible, no two pieces of wood are exactly alike, even from the same tree. These differences in natural color and grain mean that each piece will respond differently to the finishing materials used. For example, close-grained woods absorb less and will vary in color from more open-grained pieces from the very same tree. It's these variations that contribute to the beauty and distinction of quality wood products. However, exposure to sunlight, smoke, and chemicals may cause some materials to fade or vary from their original color over time.

Cabinets, doors, drawer fronts, and accessories added at a later date may not exactly match cabinets installed now. For the same reasons, door samples or displays may not represent the exact color of cabinets received at the time of shipment. Consumers should also read all cleaning agent instructions carefully before application.

Due to changes that occur from natural and environmental factors a cabinet is exposed to over its lifetime, we cannot be responsible for variations that occur in the finish of natural and engineered materials as they age.

Door Species & Characteristics

1951 Cabinetry incorporates solid hardwoods and hardwood veneers. These are natural materials with inherent variations. As such, our quality standards establish tolerance ranges for matching the hardwood pieces. Consumers should review actual samples in our selection centers and cabinet displays to help them establish realistic expectations of variations involving wood grain, color tones, presence of knots, and so forth.

These variations are at the heart of the unique natural beauty of finished hardwood. In addition, exposure of wood products to sunlight, some chemical agents, and smoke can cause wood colors to change over time.

Cherry

Cherry is a close-grained, multicolored hardwood with occasional pin knots and fine grain variations appearing as curls and waves. Natural characteristics of Cherry include:

- Small sap pockets, pin knots, and streaks
- Color ranges from pale yellow sapwood to deep reddish brown heartwood, with occasional shades of white, green, pink, or even grey
- Staining reveals subtle variations and colors that typically darken over time
- Variations within a single door

Duraform

Duraform uses highly-technological manufacturing processes to bond foils, vinyl films, and coatings to medium density fiberboard (MDF), high density fiberboard (HDF), and similar materials to achieve a product with exceptional stability, consistency and durability. Duraform door styles feature wrapped doors and drawer fronts. All other cabinet and accessory surfaces are painted to complement the selected Duraform finish, unless otherwise noted.

- The finish, color, and texture are consistent throughout the surface
- The surface is highly durable and easy to clean
- Materials are resistant to humidity and fading
- Refer to page 37 for standard cabinet box construction

Maple

Maple is an exceptionally hard, finely grained wood species with a fine, even texture. Darker stains will moderate the color variance, lighter stains mellow with golden hues over time. Natural characteristics of Maple include:

- Light blonde tones to dark reddish brown tones
- Small mineral streaks of light blonde or reddish brown that darken with stain
- Wavy, curly bird's-eye, or burl graining as well as worm tracking across the grain that will darken when stained
- Variations within a single door

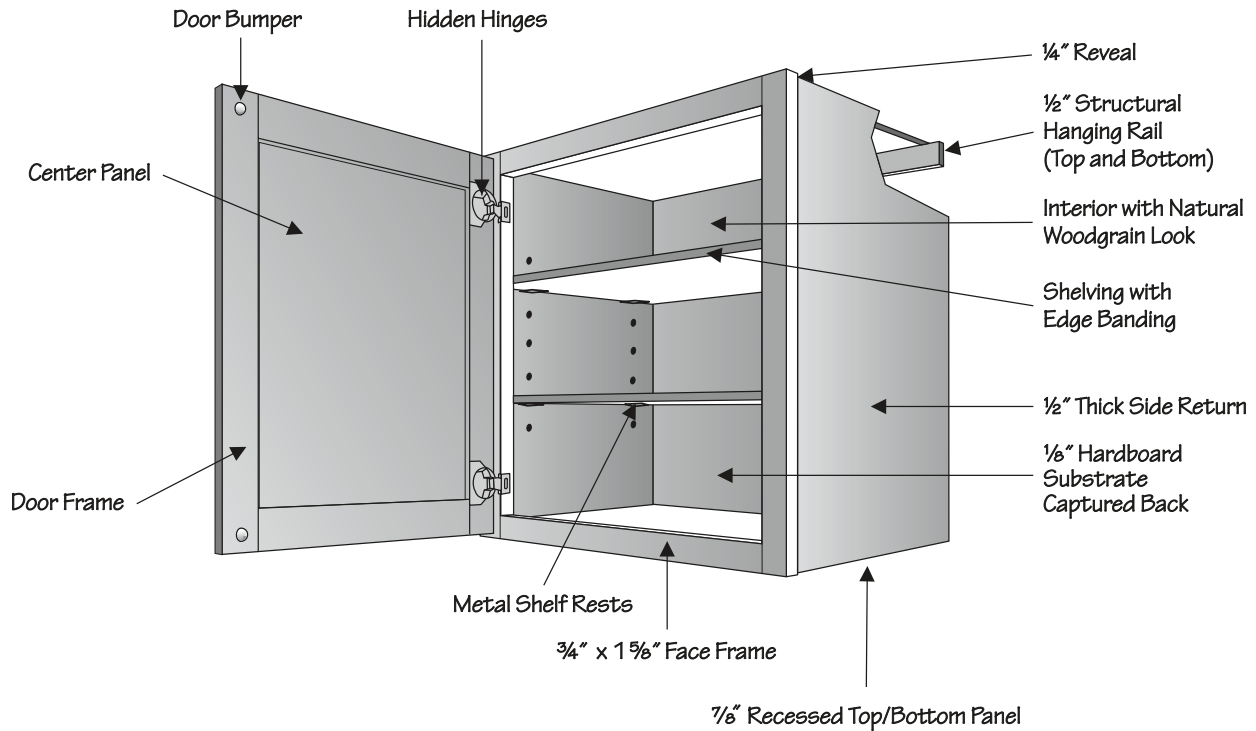
Painted

Painted finishes combine hardwoods and engineered materials including solid wood, medium density fiberboard (MDF), high density fiberboard (HDF), and similar materials to achieve a product with superior stability, consistency, coverage, and durability. Painted door features include:

- Visible joint lines may appear due to the natural expansion and contraction of wood
- A natural aging process that may change the tone of paint colors over time

Wall Cabinet Construction

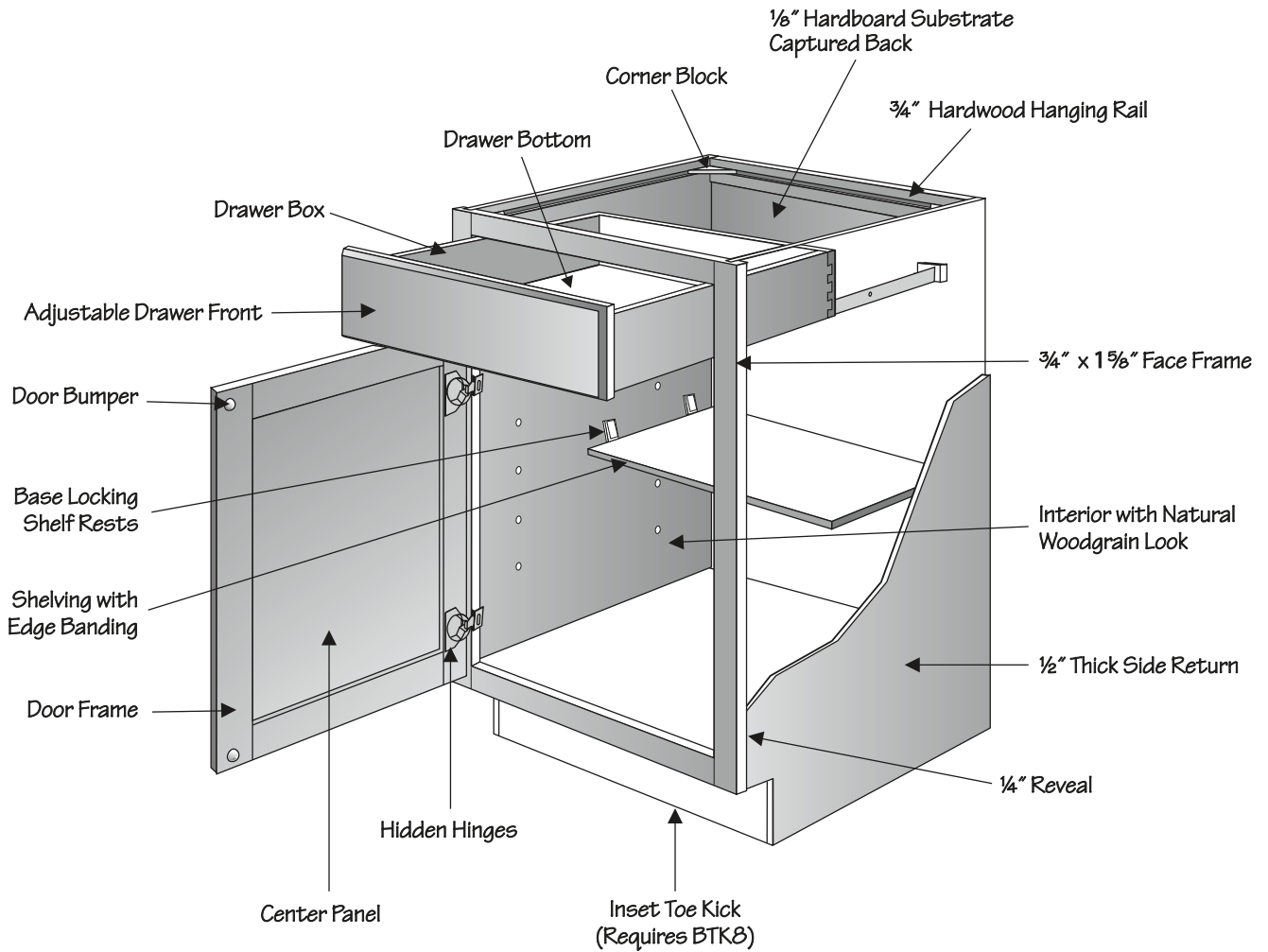
The drawing below illustrates and identifies the parts of a standard wall cabinet.



NOTE: Single door wall cabinets must be ordered hinged left or right and can be reversed in the field.

Base Cabinet Construction

The drawing below illustrates and identifies the parts of a standard base cabinet.

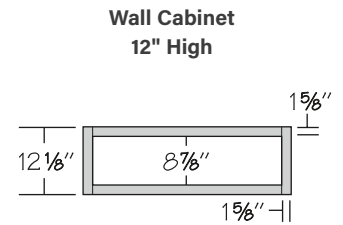
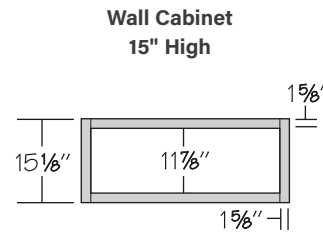
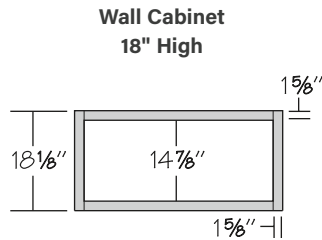
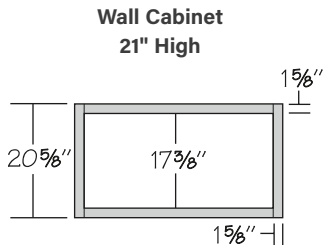
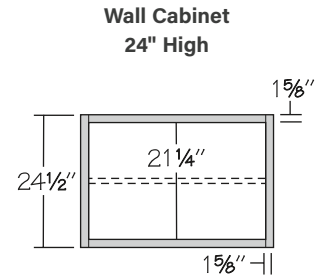
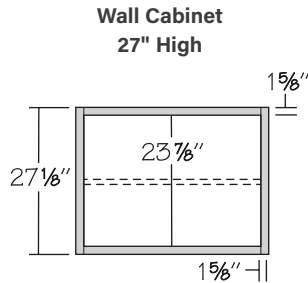
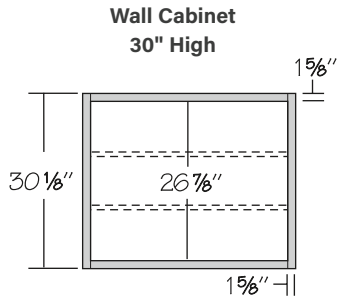
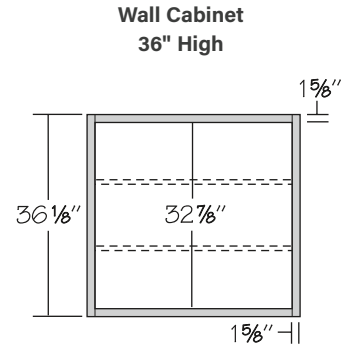
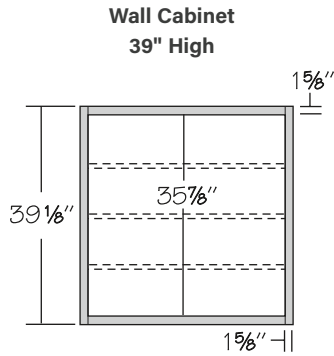
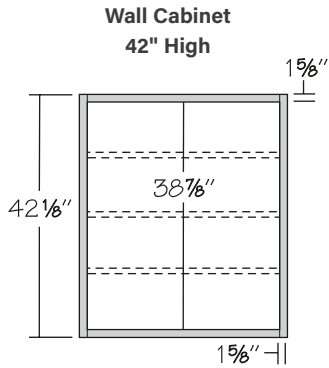


NOTE: Single door base cabinets are hinged left and can be reversed in the field.

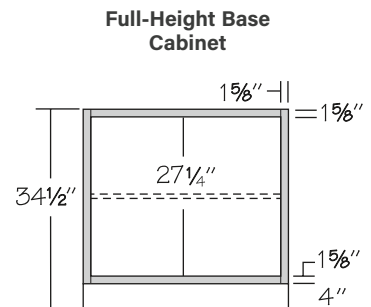
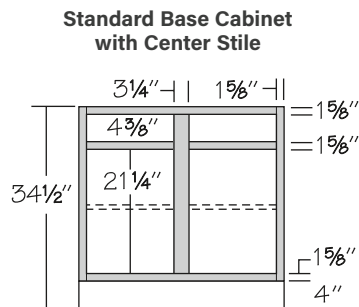
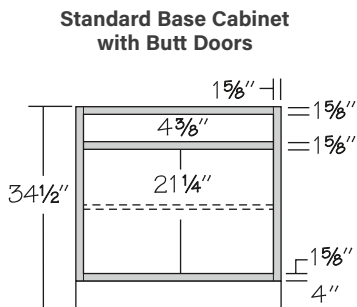
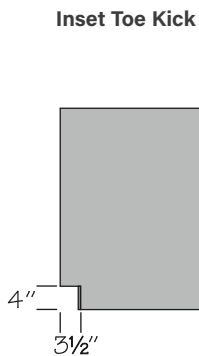
Cabinet Dimensions

These illustrations specify dimensions of vertical stiles and horizontal rails, inset toe kick, cabinet heights, and standard interior opening heights. Wall Top Hinge and all Butt door cabinets do not have a center stile. Wall cabinets 39" or wider will feature a 3 1/4" center stile.

Wall Cabinets

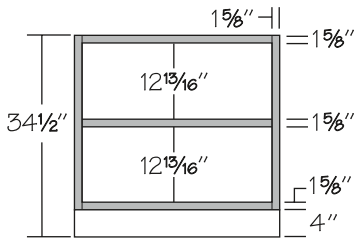


Base Cabinets

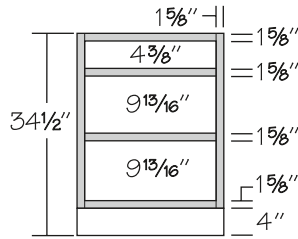


Drawer Base Cabinets

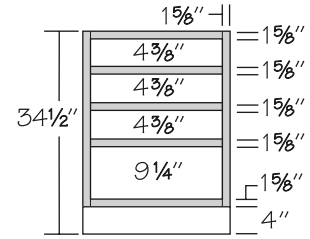
2-Drawer Base Cabinet



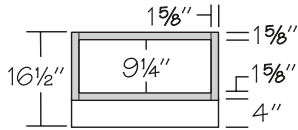
3-Drawer Base Cabinet



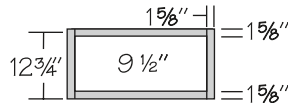
4-Drawer Base Cabinet



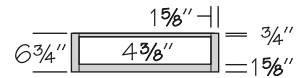
Pedestal Drawer Cabinet



12" High Furniture Drawer Cabinet

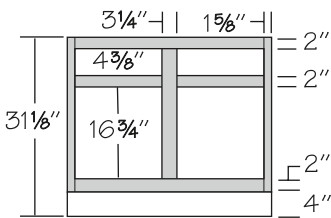


6" High Furniture Drawer Cabinet

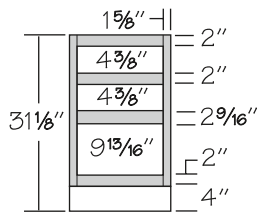


Vanity Cabinets

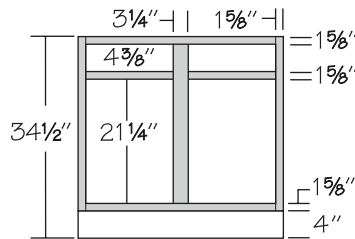
Vanity Base Cabinet Standard Height



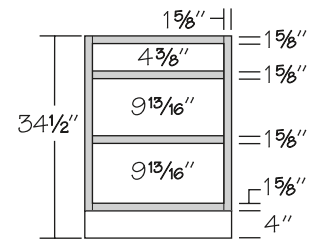
Vanity Drawer Base Standard Height



Vanity Base Cabinet Base Height

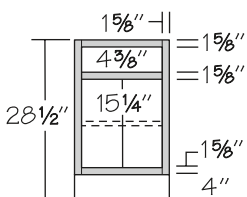


Vanity Drawer Base Base Height

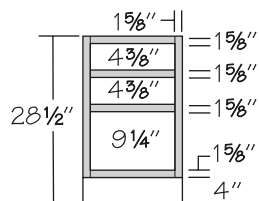


Desk Cabinets

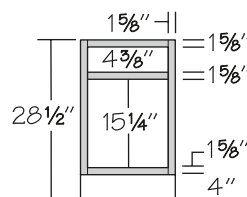
Desk Base Cabinet



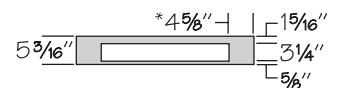
Desk Drawer Cabinet



Desk File Pull-Out



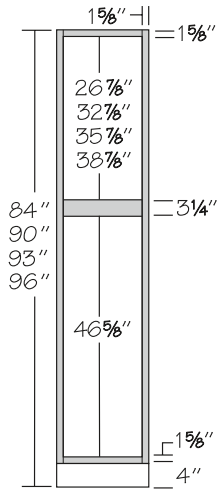
Kneehole Drawer*



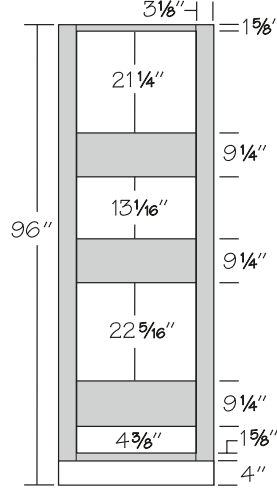
Trimmable in height to 4 3/4"
*Dimension for KDC36/33 is 3 1/8"

Tall Cabinets

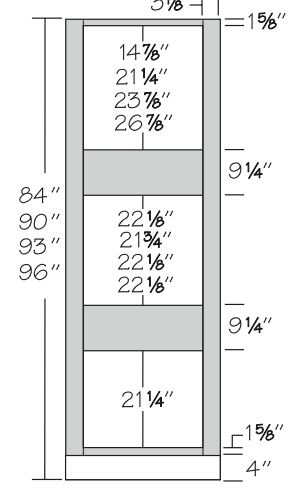
Vanity Linen & Utility Cabinets



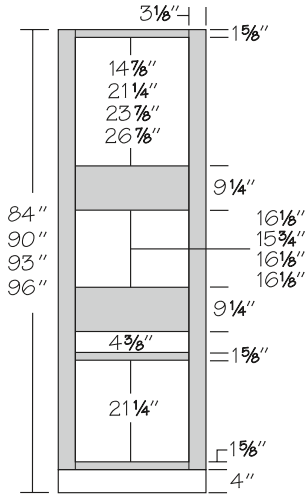
Oven Microwave Cabinet*



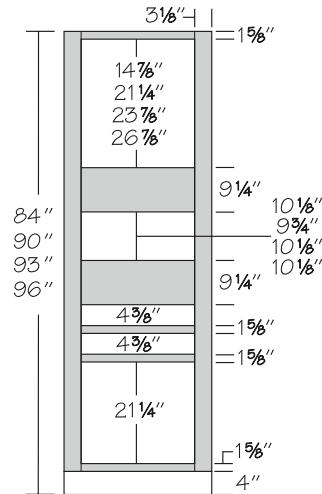
Single Oven Cabinet
4 Butt Doors*



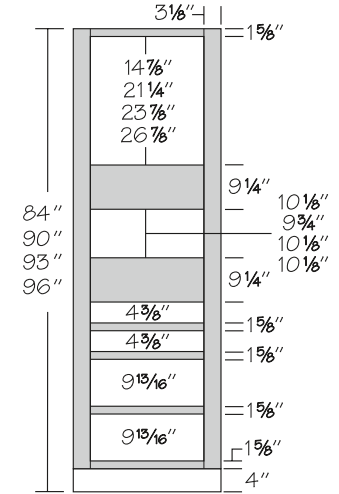
Single Oven Cabinet
4 Butt Doors, 1 Drawer*



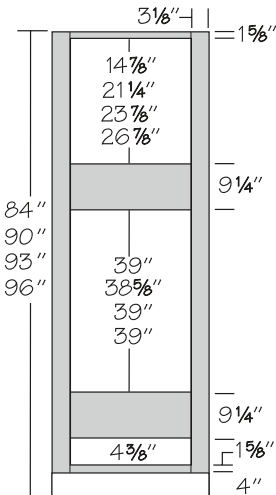
Single Oven Cabinet
4 Butt Doors, 2 Drawers*



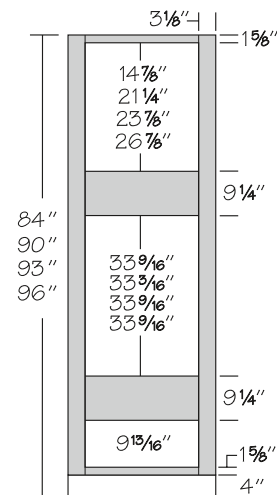
Single Oven Cabinet
2 Butt Doors, 4 Drawers*



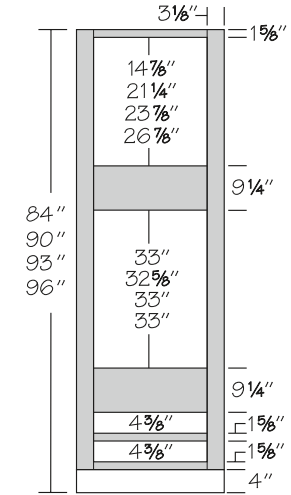
Double Oven Cabinet
1 Drawer*



Double Oven Cabinet
1 Large Drawer*

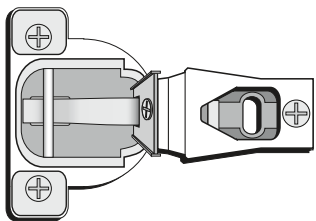


Double Oven Cabinet
2 Drawers*



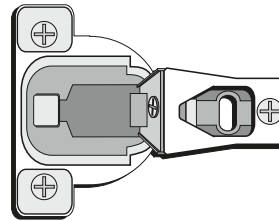
*Actual height of oven opening shown. For actual width, maximum width and maximum height dimensions, please refer to Cut Out Dimensions Chart in specific cabinet SKU box.

6-Way Adjustable Full Overlay Door Hinge



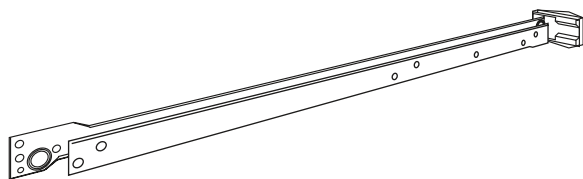
All steel construction with nickel-plated finish, Full Overlay hinge with self-closing feature that allows door to close unassisted when approximately 20–30 degrees open. Hinges permit doors to open to approximately 105 degrees. Six-way adjustability allows in/out, up/down, and side-to-side adjustments. Exceeds industry standard for durability. Standard feature on all Full Overlay (FOL) door styles. Hinge restrictors are available to order separately to limit doors to opening more than 86 degrees.

6-Way Adjustable Partial Overlay Door Hinge



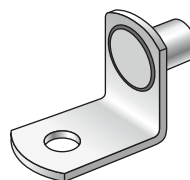
All steel construction with nickel-plated finish, Partial Overlay hinge with self-closing feature that allows door to close unassisted when approximately 20–30 degrees open. Hinges permit doors to open to approximately 105 degrees. Six-way adjustability allows in/out, up/down, and side-to-side adjustments. Exceeds industry standard for durability. Standard feature on all Partial Overlay (POL) door styles. Hinge restrictors are available to order separately to limit doors to opening more than 86 degrees.

Side-Mounted Drawer Glides



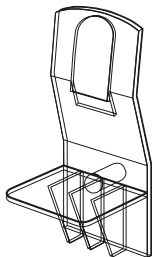
This glide system features twin self-aligning side-mounted drawer glides. They are constructed of epoxy coated steel for quiet opening and closing. Rollers are made of Delrin for smooth operation. The side-mounted glides are a standard feature on all cabinet drawers and on all sliding shelves.

Metal Shelf Rest



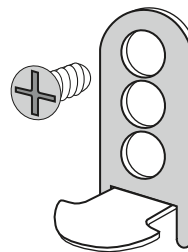
¼" steel, nickel plated. Standard feature on all wall cabinets, bookshelves and Open Frame Door cabinets.

Base Locking Shelf Rest



Locks shelves in place and prevents shelves from sliding. Designed to allow easy shelf removal. Molded from clear high-strength polycarbonate. Standard feature on all base and tall cabinets.

Mullion Shelf Rest

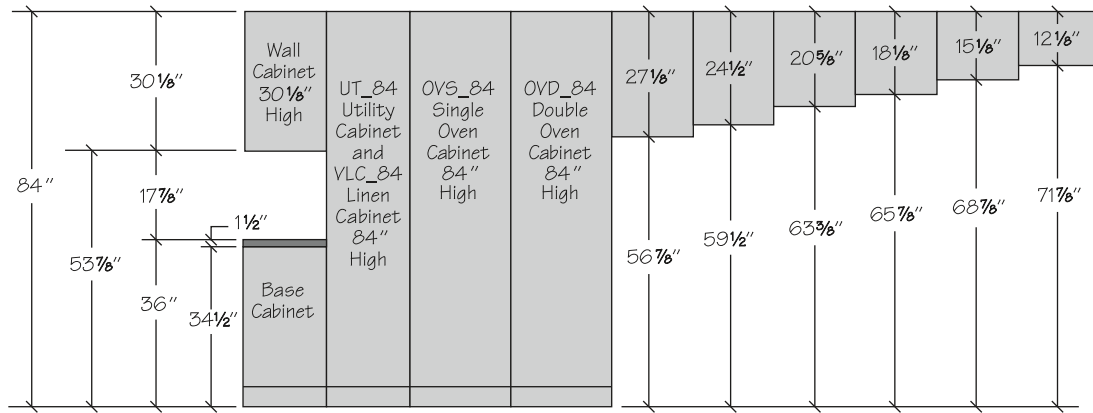


Allows for superior alignment of shelf with mullion. Metal construction. Six position adjustable. Standard feature on Mullion Frame Door cabinets.

Installation Height Guidelines

These illustrations specify dimensions of the height guidelines for top alignment of wall and tall cabinets (linen, utility, and oven) installation.

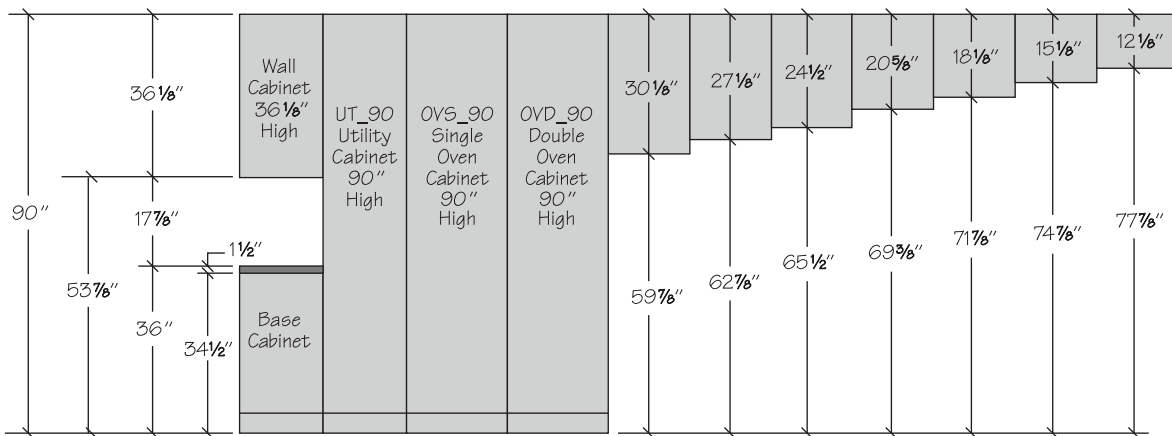
84" Top Alignment Cabinet Installation



Notes:

- 84" top alignment cabinet installation includes wall cabinets (30 1/8" high) installed 53 7/8" above the finished floor, allowing 17 7/8" clearance between the wall cabinets and a standard countertop height of 36"
- Tall cabinetry (linen, utility, and oven) is 84" high
- **When selecting cabinetry for installation above or near any appliance, refer to the appliance manufacturer's specifications for clearance and venting requirements**

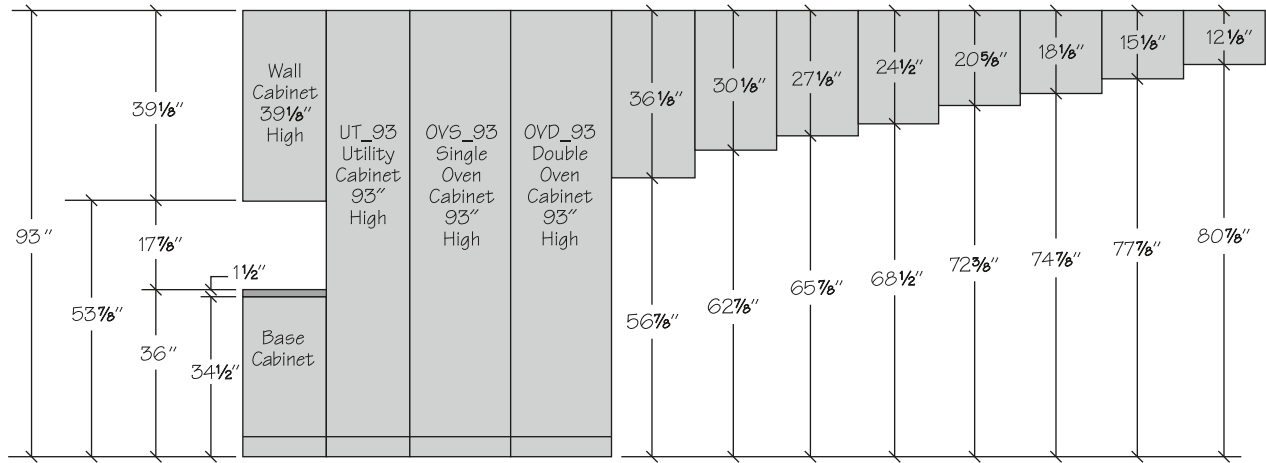
90" Top Alignment Cabinet Installation



Notes:

- 90" top alignment cabinet installation includes wall cabinets (36 1/8" high) installed 53 7/8" above the finished floor, allowing 17 7/8" clearance between the wall cabinets and a standard countertop height of 36"
- Tall cabinetry (utility and oven) is 90" high
- **When selecting cabinetry for installation above or near any appliance, refer to the appliance manufacturer's specifications for clearance and venting requirements**

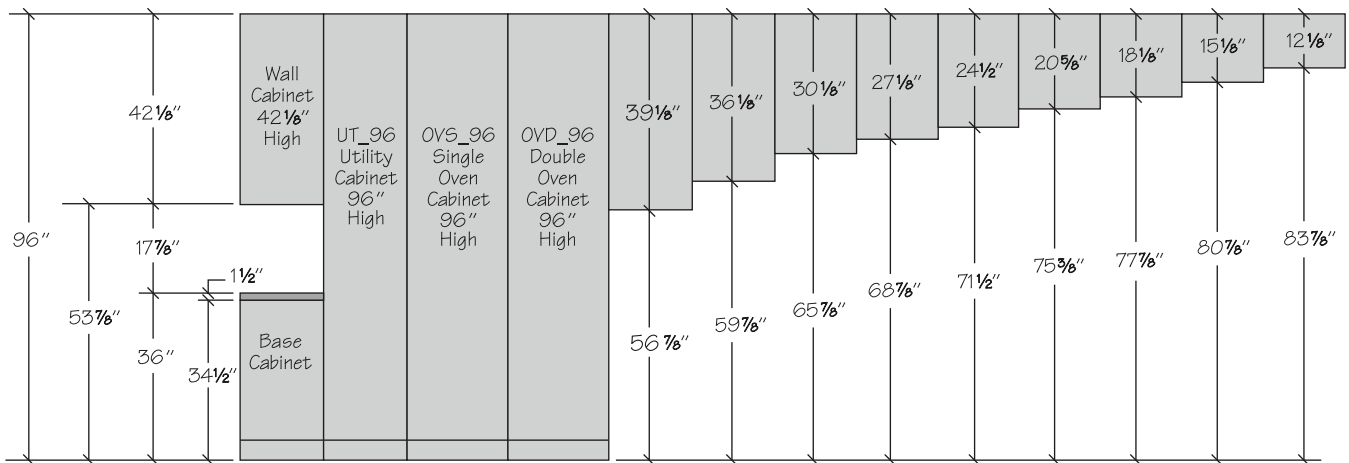
93" Top Alignment Cabinet Installation



Notes:

- 93" top alignment cabinet installation includes wall cabinets (39 1/8" high) installed 53 7/8" above the finished floor, allowing 17 7/8" clearance between the wall cabinets and a standard countertop height of 36"
- Tall cabinetry (utility and oven) is 93" high
- When selecting cabinetry for installation above or near any appliance, refer to the appliance manufacturer's specifications for clearance and venting requirements

96" Top Alignment Cabinet Installation



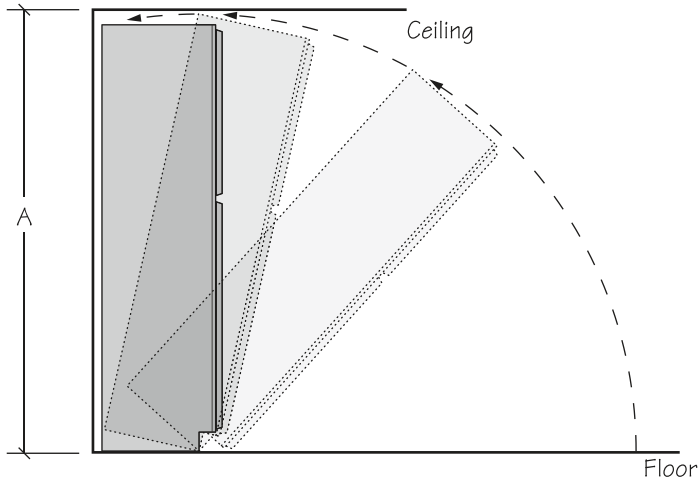
Notes:

- 96" top alignment cabinet installation includes wall cabinets (42 1/8" high) installed 53 7/8" above the finished floor, allowing 17 7/8" clearance between the wall cabinets and a standard countertop height of 36"
- Tall cabinetry (utility and oven) is 96" high
- When selecting cabinetry for installation above or near any appliance, refer to the appliance manufacturer's specifications for clearance and venting requirements

Ceiling Height Requirements

This illustration specifies the ceiling height requirements for tall cabinets (linen, utility, and oven).

Requirements for Tall Cabinets



Height	Cabinet Depth	Minimum Ceiling Height A
84"	12"	84 ⁹ / ₁₆ "
84"	18"	85 ¹ / ₄ "
84"	20 ³ / ₄ "	85 ¹³ / ₁₆ "
84"	24"	86 ¹ / ₂ "
90"	12"	90 ¹ / ₂ "
90"	18"	91 ⁵ / ₁₆ "
90"	24"	92 ⁵ / ₁₆ "
93"	12"	93"
93"	18"	93"
93"	24"	93"
96"	12"	96"
96"	18"	96"
96"	24"	96"

Notes:

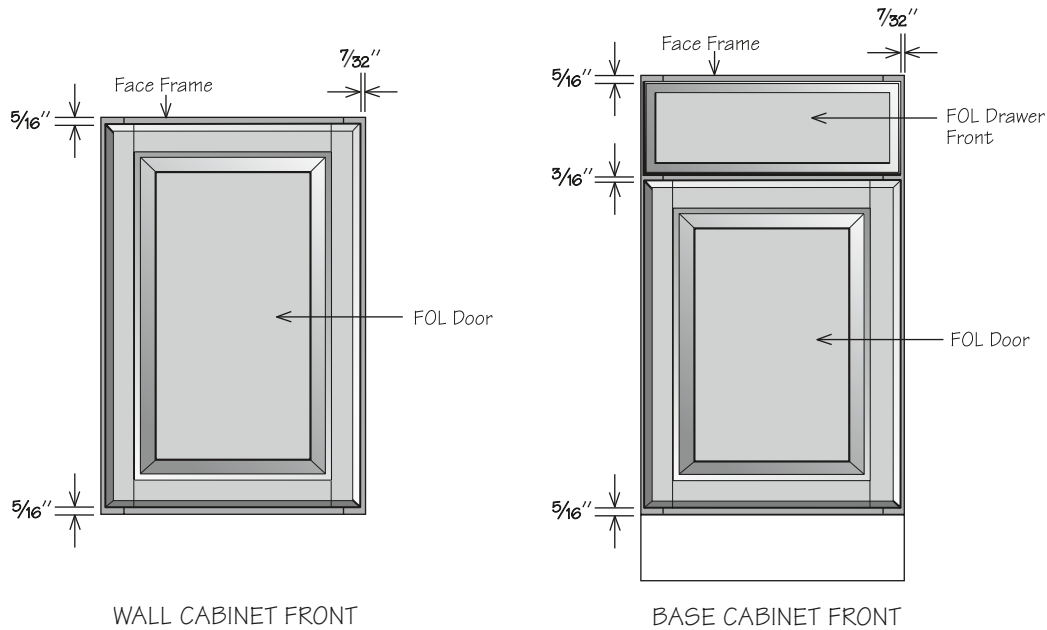
- 93" and 96" high tall cabinets have 4" toe kick assembly shipped inside the cabinet

Overlay Dimensions

The drawings shown below illustrate the relationship between the cabinet face frame and Partial Overlay (POL) and Full Overlay (FOL) doors. They show the amount of the cabinet face frame that is visible when Partial Overlay doors or Full Overlay doors are selected.

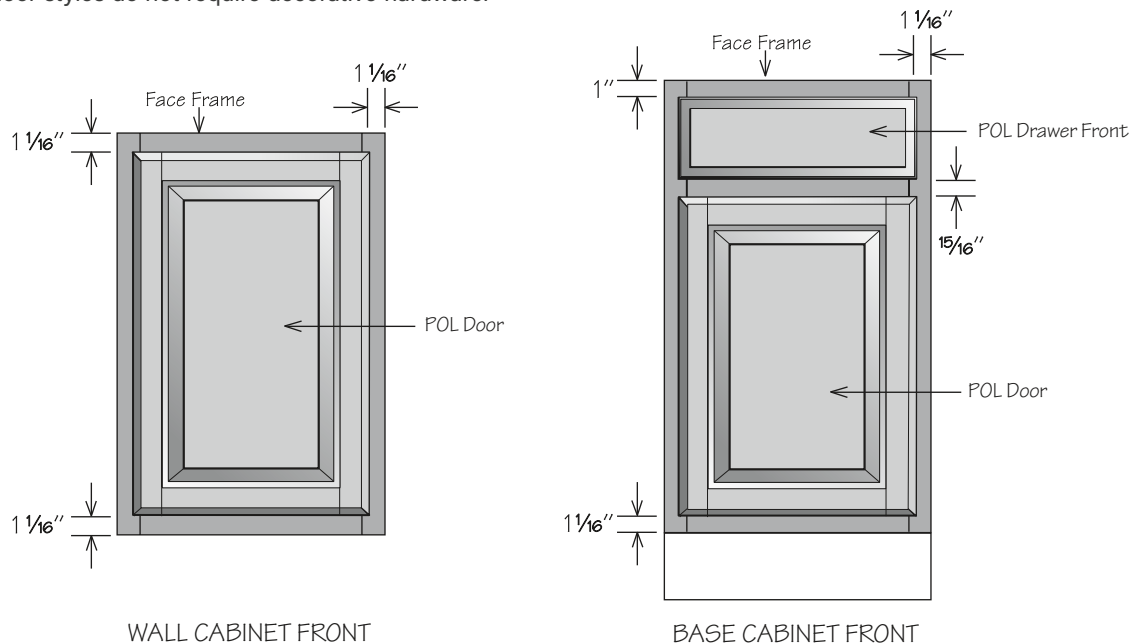
Full Overlay

Full overlay (FOL) doors are sized to cover nearly all of the cabinet face frame. Full overlay door styles require decorative hardware. **To facilitate proper door operation, include at least a 1" filler between the hinged side of full overlay door styles and deeper adjacent objects including cabinets, walls, appliances, and countertops. Blind corners may require more space from the adjacent cabinet to accommodate decorative hardware clearance.**



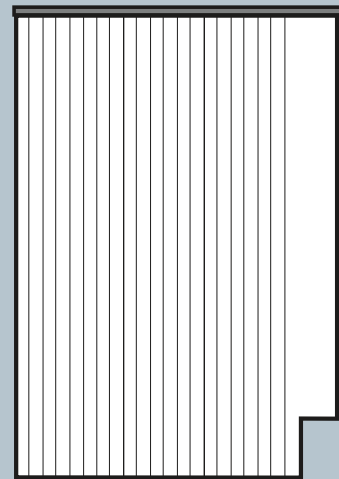
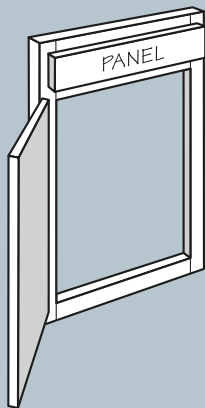
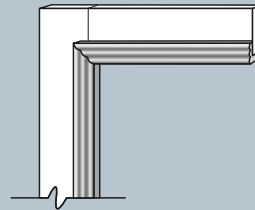
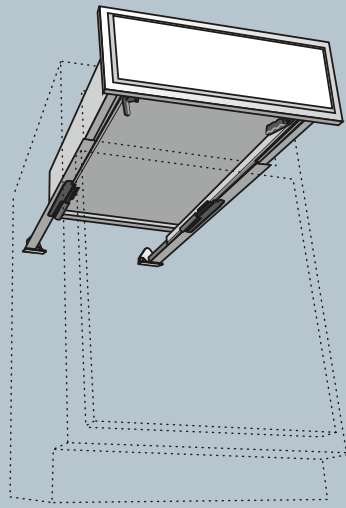
Partial Overlay

Partial overlay (POL) doors are sized to show about an inch of the cabinet face frame, giving the door some visual depth. Some door styles do not require decorative hardware.



Notes

CONSTRUCTION OPTIONS



23 | 21 | 19 | 17 | 15 | 13 | 11 | 9 | 7 | 5 |
24" 22 20 18 16 14 12 10 8 6 4"

Construction Options Legend & Upcharges

Icons used in this guide are shown below and indicate which construction options are available for a particular product.

CONSTRUCTION OPTION CODE	PRICING	
AH Accessible Height Option	10% Over List Price	
APC All Plywood Construction Option	20% Over List Price	
CFO Cabinet Front Only Option	No Charge	
CCH CushionClose® Hinge Option	\$11 Over List Price per Hinge	
CCDW Dovetail Drawer with Full-Extension CushionClose® Glide Option	\$144 Over List Price per Drawer	
CCSS Dovetail Sliding Shelf with Full-Extension CushionClose® Glide Option	\$234 Over List Price per Sliding Shelf	
FDS Full Depth Shelf Option	\$39 Over List Price	
FE Furniture Ends Option	20% Over List Price	
ID Increased Depth Option	20% Over List Price	
IF Inverted Frame Option	20% Over List Price	
MI Matching Interior Option	20% Over List Price	
PE Plywood Ends Option	15% Over List Price	
PAINTED Premium Finish Option	10% Over List Price	
PAINTED GLAZE Glaze Premium Finish Option	15% Over List Price	
RTK Recessed Toe Kick Option	10% Over List Price	
RD Reduced Depth Option	20% Over List Price	
VDO Void Door Option - NO Molding	No Charge	
VDM Void Door Option - WITH Molding	10% Over List Price	
VTD Void Top Drawer Option	10% Over List Price	
VTK Void Toe Kick Option NEW! OPTION	10% Over List Price	

SPECIALTY DOOR OPTION CODE	LIST PRICE PER DOOR	
	12"- 30" HIGH	36"- 42" HIGH
OFD Open Frame Door	\$0	\$0
MFD Mullion Frame Door	\$47	\$144

GLASS OPTION CODE	LIST PRICE PER DOOR	
	12"- 30" HIGH	36"- 42" HIGH
PREPPED Prepped for Glass	\$0	\$0
DGI-__ CLEAR Clear Glass	\$144	\$175
DGI-__ DERBYSHIRE Derbyshire Seeded Glass	\$433	\$524
DGI-__ FROSTED ASH Frosted Ash Glass	\$433	\$524
DGI-__ FROSTED Frosted Glass	\$433	\$524
DGI-__ IMPRESSION Impression Glass	\$433	\$524
DGI-__ MEREDITH Meredith Glass	\$433	\$524
DGI-__ RIBBED Ribbed Glass	\$433	\$524

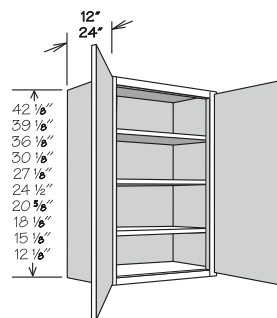
Construction Options Restrictions

When a square ■ or diamond ◆ symbol is used in an option box, it indicates that the construction option is ONLY available for SKUs listed with that symbol. All options without a symbol are available for all SKUs.

Example:

In this example, the ◆ diamond indicates that only W3015 BUTT and W3015 BUTT SD are available with Increased Depth (ID), while the ■ square indicates that only the non-SD cabinets are available with Matching Interior (MI) and Void Door (VDO) options.

Wall Cabinets • 2 Butt Doors



APC
CCH
CFO
FE
ID ◆
MI ■
PE
RD
VDO ■

12" DEEP

W3015 BUTT ■ ◆
W3015 BUTT SD ◆

24" DEEP

W3015 X 24DP BUTT ■
W3015 X 24DP BUTT SD

Premium & Glaze Premium Finish Cabinet Option

Our Premium and Glaze Premium finishes accentuate the detailing and textures of the cabinetry.

- Premium finishes feature paints that emphasize lines and rich detail with an inviting texture
- Glaze Premium finishes feature a painted base, with an added glaze that settles into the recesses, corners, and grooves to add definition and a distinctive patina

PREMIUM FINISH	FINISH	AVAILABLE COLLECTIONS
Painted Black	Black Paint	Abilene, Bandera, Barren, Belcourt, Clayton, Canyon, Cooper, Denver, Durango, Elderidge, Lubbock and Oxridge
Painted Boulder	Dark Gray Paint	Abilene, Bandera, Barren, Belcourt, Clayton, Canyon, Cooper, Denver, Durango, Elderidge, Lubbock and Oxridge
Painted Harbor	Light Gray Paint	Abilene, Bandera, Barren, Belcourt, Clayton, Canyon, Cooper, Denver, Durango, Elderidge, Lubbock and Oxridge
Painted Linen	Crisp White Paint	Abilene, Bandera, Barren, Belcourt, Clayton, Canyon, Cooper, Denver, Durango, Elderidge, Lubbock and Oxridge
Painted Mist	Light Blue Paint	Abilene, Bandera, Barren, Belcourt, Clayton, Canyon, Cooper, Denver, Durango, Elderidge, Lubbock and Oxridge
Painted Navy	Dark Blue Paint	Abilene, Bandera, Barren, Belcourt, Clayton, Canyon, Cooper, Denver, Durango, Elderidge, Lubbock and Oxridge
Painted Oat	Gentle Taupe Paint	Abilene, Bandera, Barren, Belcourt, Clayton, Canyon, Cooper, Denver, Durango, Elderidge, Lubbock and Oxridge
Painted Sage	Soft Green Paint	Abilene, Bandera, Barren, Belcourt, Clayton, Canyon, Cooper, Denver, Durango, Elderidge, Lubbock and Oxridge
Painted Stone	Soft Gray Paint	Abilene, Bandera, Barren, Belcourt, Clayton, Canyon, Cooper, Denver, Durango, Elderidge, Lubbock and Oxridge
Painted Vanilla	Warm Soft White Paint	Abilene, Bandera, Barren, Belcourt, Clayton, Canyon, Cooper, Denver, Durango, Elderidge, Lubbock and Oxridge

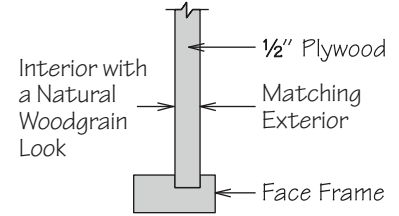
GLAZE PREMIUM FINISH	BASE FINISH	GLAZE	AVAILABLE COLLECTIONS
Painted Biscotti Glaze	Painted Vanilla	Neutral Brown Glaze	Abilene, Bandera, Clayton, Cooper, Durango, Elderidge and Oxridge
Painted Ember Glaze	Painted Harbor	Warm Brown Gray Glaze	Abilene, Bandera, Clayton, Cooper, Durango, Elderidge and Oxridge
Painted Pewter Glaze	Painted Linen	Dark Gray Glaze	Abilene, Bandera, Clayton, Cooper, Durango, Elderidge and Oxridge

All Plywood Construction Option

APC

All Plywood Construction Option includes:

- ½" plywood sides, floors, and cabinet tops
- ¾" plywood shelves with edge banding
- ⅛" plywood captured back
- ½" plywood inset toe kick
- ½" plywood corner blocks (excluding BEA/BPP/BPPUS/BTDP cabinets or cabinets with a solid top)



Notes:

- **This option upgrades the cabinet box and shelves (where applicable) - CushionClose Full-Extension Dovetail Drawer upgrade option will also be required to upgrade drawer boxes to be considered an actual all plywood cabinet**
- Standard base cabinets convert to full-depth plywood shelves
- Exterior sides finished to match specific cabinet box exterior
- Plywood will be visible from top and bottom of side panels
- Available for individual cabinets or entire kitchen
- All door styles feature standard interior sides with a natural woodgrain look and matching exterior sides
- May be combined with all construction options excluding Cabinet Front Only and Plywood Ends.
- Toe kick support blocks are not plywood
- Slide out accessories and drawer inserts will not feature All Plywood Construction
- All Plywood Construction refers to the cabinet box components and shelving as detailed above (certain parts and accessories are not available with this construction option)
- Plywood can consist of a combination of veneer and medium density fiberboard (MDF) layers to achieve superior product stability and finish quality. Plywood components meet the ANSI/HPVA hardwood and decorative plywood standards (www.decorativehardwoods.org)

Plywood Ends Option

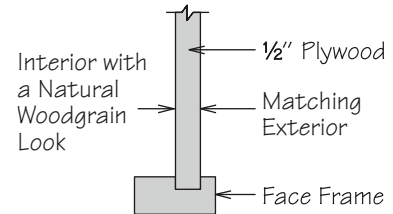
PE

Plywood Ends Option includes:

- ½" plywood cabinet sides

Notes:

- Exterior sides finished to match cabinet exterior
- Plywood will be visible from top and bottom of side panels
- Available for individual cabinets or entire kitchen
- All door styles feature standard interior sides with a natural woodgrain look and matching exterior sides
- May be combined with all construction options excluding All Plywood Construction, Furniture Ends and Cabinet Front Only Option
- Plywood Ends refers to the cabinet box side panels as detailed above (certain parts and accessories are not available with this construction option)
- Plywood can consist of a combination of veneer and medium density fiberboard (MDF) layers to achieve superior product stability and finish quality. Plywood components meet the ANSI/HPVA hardwood and decorative plywood standards (www.decorativehardwoods.org)



CONSTRUCTION OPTION	Standard Construction	Plywood Ends Option (PE)	All Plywood Construction Option (APC)
Cabinet Sides	1/2" Engineered Wood	1/2" Plywood	1/2" Plywood
Cabinet Floor	1/2" Engineered Wood	1/2" Engineered Wood	1/2" Plywood
Cabinet Top (Wall Cabinets Only)	1/2" Engineered Wood	1/2" Engineered Wood	1/2" Plywood
Cabinet Back	1/8" Hardboard Substrate Captured	1/8" Hardboard Substrate Captured	1/8" Plywood Captured
Inset Toe Kick	1/2" Engineered Wood	1/2" Engineered Wood	1/2" Plywood
Corner Blocks	1/2" Engineered Wood	1/2" Engineered Wood	1/2" Plywood <i>*see APC option box for list of exclusions</i>
Shelves	3/4" Wall and 3/4" Half-Depth Base Engineered Wood with Edge Banding	3/4" Wall and 3/4" Half-Depth Base Engineered Wood with Edge Banding	3/4" Wall and 3/4" Full-Depth Base Plywood with Edge Banding
Wall Cabinet Hanging Rails	1/2" Engineered Wood Top and Bottom Rails	1/2" Engineered Wood Top and Bottom Rails	1/2" Plywood Top and Bottom Rails
Base Cabinet Hanging Rails	3/4" Hardwood Top Rail 1/2" Engineered Wood Bottom Rail	3/4" Hardwood Top Rail 1/2" Engineered Wood Bottom Rail	3/4" Hardwood Top Rail 1/2" Plywood Bottom Rail

Furniture Ends Option

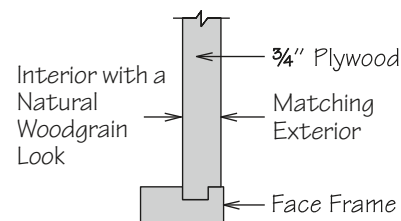
FE

Furniture Ends Option includes:

- 3/4" plywood cabinet sides

Notes:

- Exterior sides feature plywood finished to match specific cabinet box exterior
- Plywood is visible on top and bottom of side panels
- All door styles feature standard interior sides with a natural woodgrain look and matching exterior sides
- Available for individual cabinets except Base End Angle (BEA24 FH) and Wall End Angle (WEA12) cabinets
- Both side panels convert to 3/4" plywood sides except Base End Angle (BEA12 FH) cabinets which converts the 12" side panel only
- May be combined with all construction options excluding Plywood Ends and Cabinet Front Only Option
- End panels are not required for installation of decorator matching doors or the exposed ends of cabinets with the Furniture Ends Option
- Cabinet Angle Molding (CAM8) cannot be used with cabinets with the Furniture Ends Option
- Sink Front Return (SFR R/L) with the Furniture Ends Option will include a rabbetted front edge
- A seam will be visible between stacked cabinets and on 93" and 96" tall cabinets between the toe kick box and the cabinet. Recommendations to conceal this seam:
 - » Use decorative molding (e.g., Batten Molding or Ogee Pilaster Molding)
 - » Use a Column Filler or Wood Tall End Panel
- Plywood can consist of a combination of veneer and MDF layers to achieve superior product stability and finish quality. Plywood components meet the ANSI/HPVA hardwood and decorative plywood standards (decorativehardwoodsassociation.org).



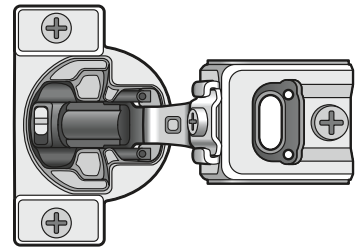
CushionClose Hinge Option

CCH

The CushionClose Hinge Option features a slow-closing mechanism that helps reduce slams and noise.

Notes:

- Not for use on the following SKUs: BER_, BSS_, CAR_, WER_, or WTH_



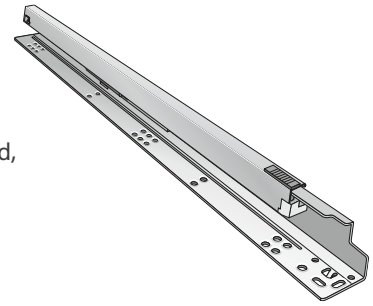
CushionClose Dovetail Drawer Option

CCDW

The CushionClose Dovetail Drawer Option features $\frac{5}{8}$ " dovetail hardwood drawers with a full-extension glide and an integrated slow-close mechanism that reduces slamming and noise.

Notes:

- Features $\frac{5}{8}$ " dovetail hardwood drawers
- Unique oil damper technology for whisper-quiet operation
- Wastebasket cabinets with this upgrade option feature heavy-duty, 132-pound rated, Full-Extension CushionClose Glides
- Decorative hardware strongly recommended



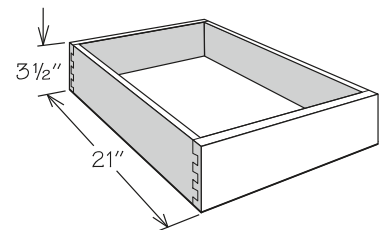
CushionClose Deep Dovetail Sliding Shelf Option

CCSS

The CushionClose Deep Dovetail Sliding Shelf Option provides all the features a $3\frac{1}{2}$ " high and $\frac{5}{8}$ " thick hardwood dovetail sliding shelf with an integrated slow-close mechanism that reduces slamming and noise.

Notes:

- Features $3\frac{1}{2}$ " high sliding shelf
- Features $\frac{5}{8}$ " dovetail hardwood drawers with MDF bottoms
- Unique oil damper technology for whisper-quiet operation



Reduced Depth Option

RD

The Reduced Depth Option should be used when ordering less than standard depth cabinets. The Reduced Depth Option is available in 1" increments; minimum depth is 4". Vanity and desk cabinets will reduce to standard reduced depth increments (e.g. vanity cabinets with RD-20 will measure 20" in depth).

Orders specifying Reduced Depth Option must show the total cabinet depth.

Example: Cabinet: B24

Option: RD-17 (reduced to 17" deep)

Notes:

- There is a potential tipping hazard for reduced depth cabinets until they are mounted to a wall
- Peninsula Base cabinets reduced to 11" or less will not have an inset toe kick
- Full-depth shelves are reduced in 1" increments to match Reduced Depth Option selected on cabinet(s)
- Half-depth shelves are reduced in 1" increments for cabinets reduced to 11" or less
- Adding the Reduced Depth Option does not remove adjustable shelves (where applicable)
- May be combined with all construction options excluding Increased Depth, Cabinet Front Only or Recessed Toe Kick when cabinets are reduced to 8" or less
- All cabinets reduced to 5" or less will not have an inset toe kick
- Reduced depth restrictions:
 - » Cabinets with factory installed sliding shelves are only available with RD-23 through RD-12
 - » 24" Deep Wall Top Hinge cabinets are only available with RD-23 through RD-8
 - » 12" Deep Wall Top Hinge cabinets are only available with RD-11 through RD-8
 - » Base End Angle (BEA12FH) cabinets are only available with RD-23 through RD-18
 - » Kneehole Drawer cabinets are only available with RD-20 through RD-12
 - » Two-Drawer Base cabinets are only available with RD-23 through RD-21
 - » 24" Deep Furniture Drawer cabinets are only available with RD-23 through RD-13
- When ordering reduced depth accessories, specify the depth of the cabinet for which the accessory is intended (e.g., SK3624 RD-21 would be ordered for a UT3624 X 84 RD-21)

OPTION CODE	ACTUAL DIMENSION			
Reduced Depth	Drawer Depth (Full Extension)	Drawer Depth (Side-Mounted)	Sliding Shelf Depth	Sliding Shelf Depth With CCSS Upgrade
RD-23	18"	18"	18"	18"
RD-22	18"	18"	18"	18"
RD-21	18"	18"	16"	18"
RD-20	15"	15"	16"	15"
RD-19	15"	15"	16"	15"
RD-18	15"	15"	15"	15"
RD-17	12"	12"	14"	12"
RD-16	12"	12"	13"	12"
RD-15	12"	12"	12"	12"
RD-14	9 ⁷ / ₁₆ "	9"	11"	9"
RD-13	9 ⁷ / ₁₆ "	9"	10"	9"
RD-12	9 ⁷ / ₁₆ "	9"	9"	9"
RD-11 to RD-6	No Drawer	No Drawer	Not Available	Not Available
RD-5 or RD-4	No Drawer	No Drawer	Not Available	Not Available

Increased Depth Option

ID

The Increased Depth Option is available for most Wall cabinets up to 36" wide and all Bookshelves. The Increased Depth Option is available in 1" increments; maximum depth is 24".

Orders specifying Increased Depth Option must show the total cabinet depth.

Example: Cabinet: W1530

Option: ID-14 (increased to 14" deep)

Notes:

- May be combined with all construction options excluding Reduced Depth and Cabinet Front Only Option
- Adjustable shelves are increased in 1" increments to match Increased Depth Option selected on cabinet(s)
- Wall cabinets and bookshelves increased up to and including 18" deep can be mounted using standard installation procedures
- Wall cabinets and bookshelves increased to 19" deep and over must be stacked, floor mounted, or installed over a refrigerator
- All increased depth cabinets must be securely attached in one of the following combinations: to studs in back wall and both sides OR to studs in back wall, one side and top (e.g. two adjacent cabinets or one adjacent cabinet and a wall)

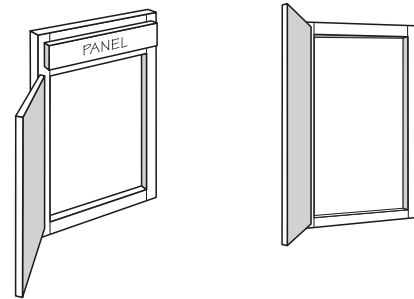
Cabinet Front Only Option

CFO

The Cabinet Front Only Option is available for most cabinets with a frame.

Notes:

- Cannot be combined with any construction option
- This option consists of the cabinet frame, door(s), drawer front(s), and hinges
- Toe kicks are not included
- This option is only available for cabinets without accessories



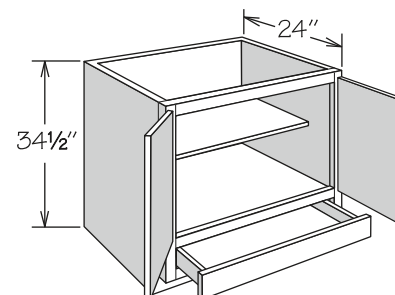
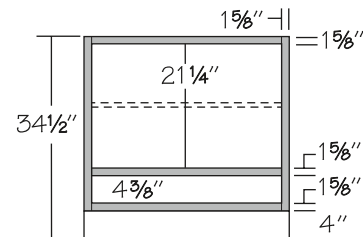
Inverted Frame Option

IF

The Inverted Frame Option is available for most standard base cabinets and base cabinets with accessories.

Notes:

- May be combined with all construction options excluding Cabinet Front Only and Void Top Drawer Option
- Drawer(s) below full cabinet floor
- Adjustable shelf is included
- Back is not predrilled for Sliding Shelves (SSK's)



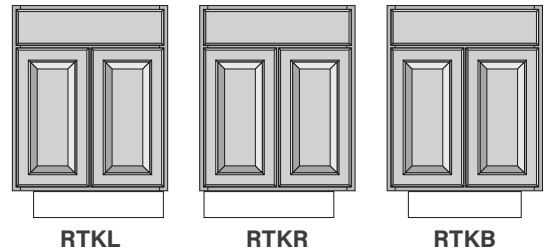
Recessed Toe Kick Option

RTK

The Recessed Toe Kick Option is available on most Base, Desk and Vanity base cabinetry. When the Recessed Toe Kick Option is selected, left, right or both must be specified.

Notes:

- May be combined with all construction options excluding Accessible Height Option, Cabinet Front Only, Void Toe Kick and the Reduced Depth Option when cabinets are reduced to 8" or less
- Recommended for cabinets at the end of a run, especially in island and peninsula designs
- Recessed side(s) are constructed of ½" thick unfinished plywood and are recessed 3½" to match front of cabinet
- Recessed Toe Kick box is not flush on non-recessed side and back
- Blind Corner Base cabinets are only available with the Recessed Toe Kick Both (RTKB) Option
- Base End Angle (BEA_FH), Base Pantry Pull Out (BPP9), Base Pantry Pull Out Utensil Storage (BPPUS9), Base Tray Divider Pull Out (BTDP9), Tray Base cabinets (TB9_) are not available with the Recessed Toe Kick Both Option (RTKB)
- Not available for Peninsula Base cabinets with the Reduced Depth Option of RD-11 and lower
- For Peninsula Base cabinets, the working drawer side indicates the front of the cabinet in order to correctly select Recessed Toe Kick Right (RTKR) or Left (RTKL)
- Peninsula Base cabinets ordered with Recessed Toe Kick Option must be secured to the floor through the cabinet bottom into bracing secured to the floor
- Base toe kick (BTK8) required for front and any exposed side(s)



Void Toe Kick Option

NEW!

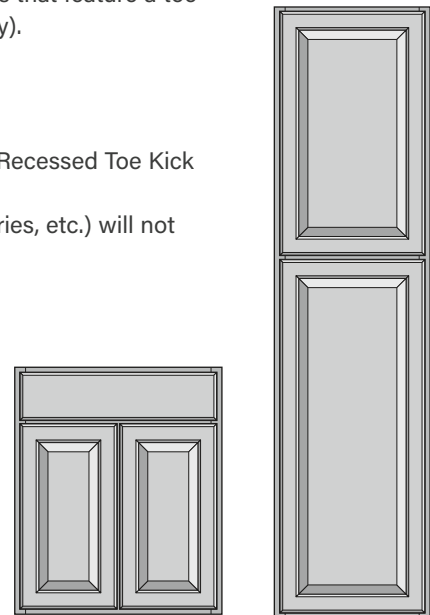
OPTION

VTK

The Void Toe Kick Option is available for most Base, Desk, Vanity, and Tall cabinets that feature a toe kick (excludes 93" and 96" high tall cabinets that ship toe kick assembly separately).

Notes:

- This option removes the toe kick
- May be combined with all construction options excluding Accessible Height, Recessed Toe Kick or Cabinet Front Only Option
- Any cabinet part above toe kick (face frames, doors, internal cabinet accessories, etc.) will not be altered by this modification



Accessible Height Option

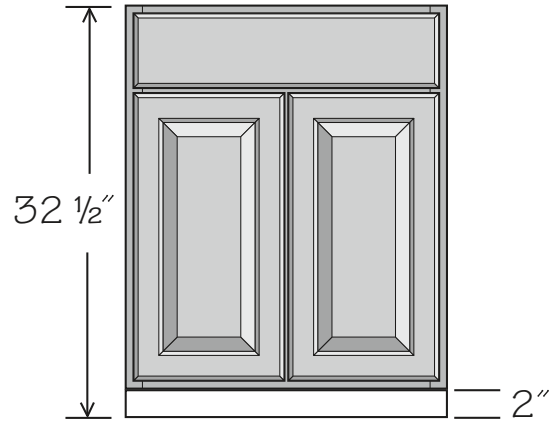
AH

The Accessible Height Option is available for most cabinets that feature a toe kick.

Notes:

- This option reduces cabinet height by 2" off the toe kick area
 - » Toe kick boxes that are shipped separately on 93" and 96" high tall cabinets will also be reduced by 2" with this option
- May be combined with all construction options excluding Recessed Toe Kick, Cabinet Front Only or Void Toe Kick options
- Any cabinet part above toe kick (face frames, doors, internal cabinet accessories, etc.) will not be altered by this modification

	34 1/2" Base/Vanity	84" Tall	90" Tall	93" Tall	96" Tall
Modified Height	32 1/2"	82"	88"	91"	94"



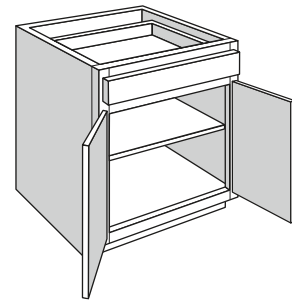
Full Depth Shelf Option

FDS

The Full Depth Shelf Option is available for most Base cabinets and will convert the half-depth shelf to a full-depth shelf.

Notes:

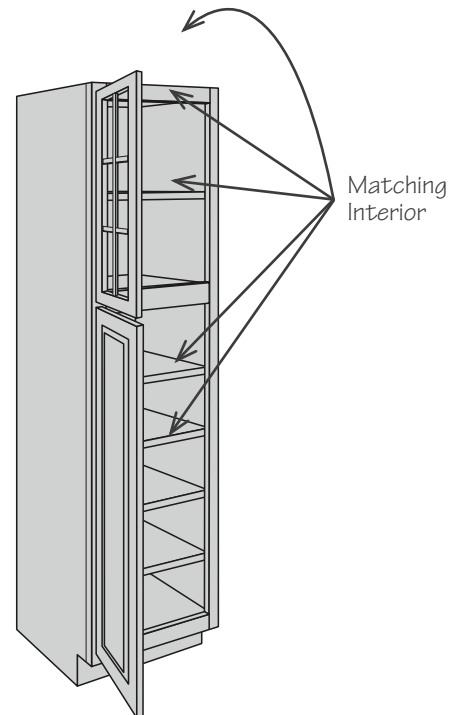
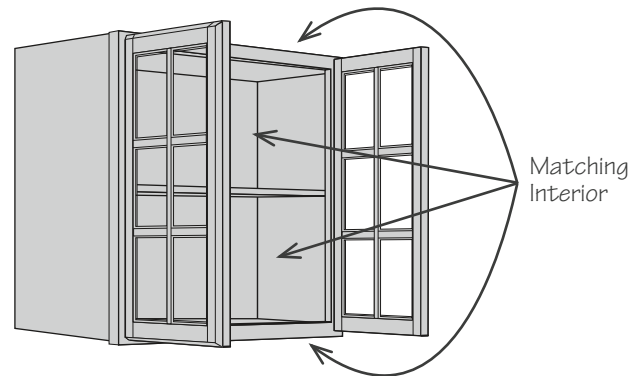
- Available for individual cabinets
- Not available for cabinets with accessories
- May be combined with the Reduced Depth Option down to 13"
- Cannot be ordered with All Plywood Construction



The Matching Interior Option is available for Wall cabinets (with the exceptions noted below), Utility cabinets, Vanity Linen cabinets, and Refrigerator Return Panels. This option matches the cabinet's interior, top and bottom to that of the cabinet's box exterior. For textured-wrapped Duraform, refer to door style page for box finish.

Notes:

- May be combined with all construction options excluding Cabinet Front Only
- Not available for wall cabinets with a standard matching interior (including all Specialty Door cabinets)
- All Plywood Construction Option (APC), Furniture End Option (FE), or Plywood End Option (PE) is recommended when Matching Interior (MI) is selected
- Standard construction cabinetry with the Matching Interior Option features two-sided engineered wood side panels finished to match cabinet box exterior
- Cabinetry with the All Plywood Construction Option (APC), Furniture Ends Option (FE), or Plywood Ends Option (PE) features two-sided plywood side panels finished to match cabinet box exterior
- Matching Interior cabinetry with the All Plywood Construction Option features $\frac{3}{4}$ " plywood shelves finished to match cabinet box exterior
- Recommended for wall cabinets with the Void Door Option (VDO)
- All finished surfaces of the Wall, Utility, and Vanity Linen cabinets will be color matched including shelves, back, interior and exterior of returns, top and bottom
- Surfaces that are not finished (including hanging rails, tops/bottoms of side panels, cabinet backs, etc.) will remain unfinished
- Interior accessories in Matching Interior cabinets will remain natural finish (e.g., spice rack kit, deep dovetail sliding shelves, pantry swing-out kit)
- When Matching Interior (MI) is ordered for Breeze and Drift finishes, cabinet interior will match cabinet box exterior.



Void Door Option

VDO/VDM

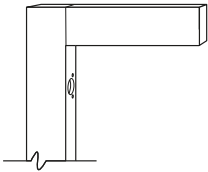
The Void Door Option is available for most wall cabinets. All void door cabinets ship without doors or hinges – center stiles and adjustable shelves will remain. Cabinet frames are pre-drilled for door hinges. All void door Wall Top Hinge Cabinets will ship without door, lid stays, and hinges.

Refer to the descriptions below to select the correct option for your layout:

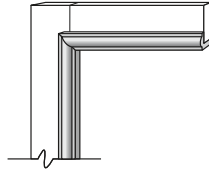
- VDO-DFH (Drilled For Hinges)
- VDM-SBAM (Single Bead Accent Molding)
- VDM-SAM (Shaker Accent Molding)

Notes:

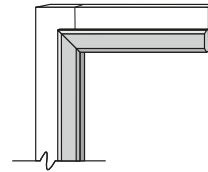
- May be combined with all construction options excluding Cabinet Front Only Option
- Can be used to create decorative open cabinets
- Decorative accent moldings will conceal hinge holes
- Molding is to be cut and field installed at the job site
- When matching interior is desired, the Matching Interior Option must be selected separately



VDO-DFH
Drilled For Hinges



VDO-SBAM
Single Bead Accent Molding



VDO-SAM
Shaker Accent Molding

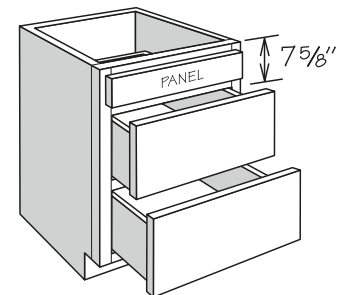
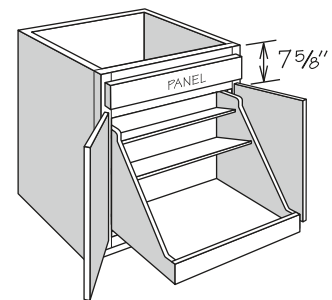
Void Top Drawer Option

VTD

The Void Top Drawer Option is available for most 3 Drawer Base, 4 Drawer Base, Base with Sliding Shelves, Base with Pot & Pan Organizer and Peninsula Base cabinets.

Notes:

- May be combined with all construction options excluding Cabinet Front Only and Inverted Frame Option
- This option removes the drawer body and glide system and replaces it with a false panel on any top drawer(s)
- On cabinets with multiple top drawers, all top drawers will be voided
- When using an appliance, the interior height clearance is 7 $\frac{5}{8}$ " from the top of the cabinet to the top of the door/drawer opening below the voided drawer
- Subtract 1 $\frac{1}{2}$ " from width and depth for available top opening – removal of corner blocks may be required
- Removal of the top rail is not recommended
- Refer to appliance manufacturer's specifications for adequate clearances and required installation materials



Specialty Door Option cabinets are available for most wall, utility and vanity linen cabinet sizes. All Specialty Door Option cabinets include Matching Interior as standard and require one of the specialty door options below. Specialty door options for utility and vanity linen cabinets apply to top door(s) only.

Open Frame Door (OFD) notes:

- Features door frame only with no mullions or center panel
- Decorative glass inserts and appropriate glass clips are shipped separately from the cabinet for field installation – see pages 68–69 for available glass inserts
- See page 65 for door style profiles

Mullion Frame Door (MFD) notes:

- Features grid-style mullions
- Not available for Wall Top Hinge cabinets
- Decorative glass inserts and appropriate glass clips are shipped separately from the cabinet for field installation – see pages 68–69 for available glass inserts
- See pages 66–67 for door style profiles

SPECIALTY DOOR AVAILABILITY BY SIZE										
Door Width	Door Height									
	12" High Wall	15" High Wall	18" High Wall	21" High Wall	24" High Wall	27" High Wall	30" High Wall	36" High Wall	39" High Wall	42" High Wall
12" Wide	●	●	●		●		●	●	●	●
13" Wide	●	●	●		●		●	●	●	●
15" Wide	●	●	●	●	●	●	●	●	●	●
16" Wide	●	●	●	●	●		●	●	●	●
18" Wide	●	●	●	●	●		●	●	●	●
18 ½" Wide	●	●	●	●	●					
19" Wide	●	●	●	●	●		●	●		●
21" Wide	●	●	●		●		●	●	●	●
30" Wide		■	■							
36" Wide		■	■							
42" Wide	■									

- Available with all Specialty Door Options
- Wall Top Hinge cabinets only – not available with MFD Option

SPECIALTY DOOR OFFERING BY STYLE

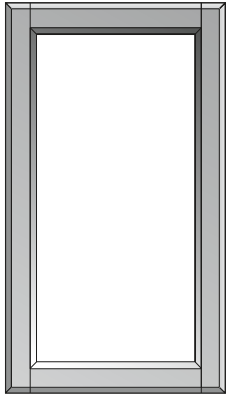
Door Style	OFD	MFD
Abilene	●	●
Bandera	●	●
Barren	●	
Belcourt	●	
Canyon	●	
Carson	●	
Clayton	●	●
Cooper	●	
Denver	●	
Durango	●	
Elderidge	●	●
Lubbock	●	
Oxridge	●	

Open Frame Door Profiles

OFD

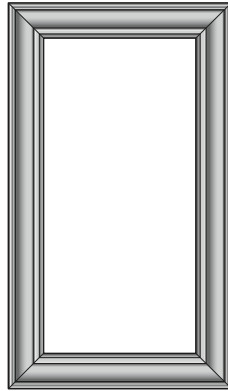
PROFILE FOR:

- Clayton



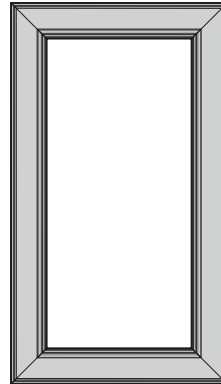
PROFILE FOR:

- Elderidge



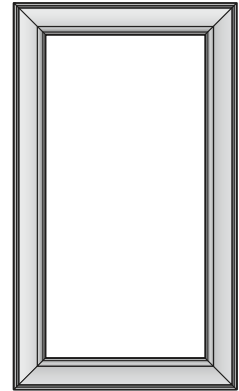
PROFILE FOR:

- Abilene



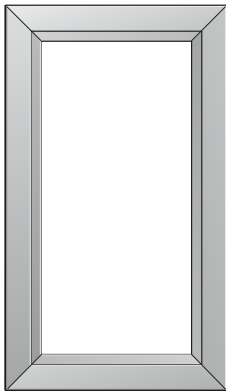
PROFILE FOR:

- Carson



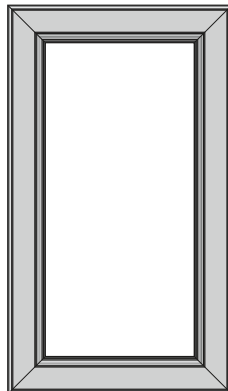
PROFILE FOR:

- Oxridge



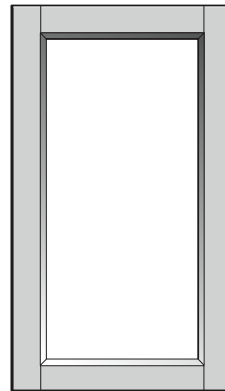
PROFILE FOR:

- Durango



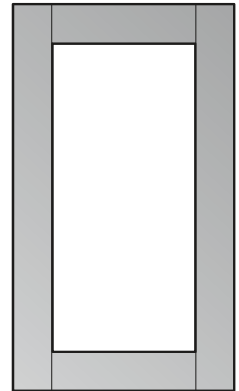
PROFILE FOR:

- Bandera



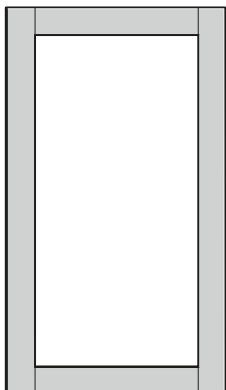
PROFILE FOR:

- Canyon
- Lubbock



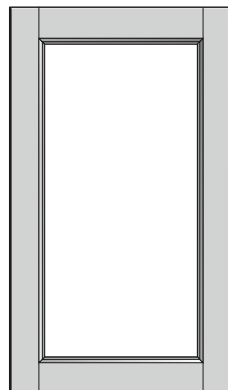
PROFILE FOR:

- Barren
- Denver



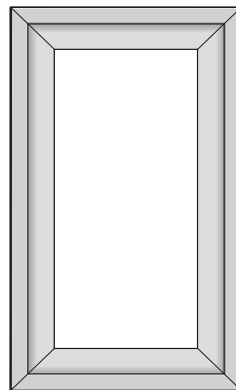
PROFILE FOR:

- Cooper



PROFILE FOR:

- Belcourt

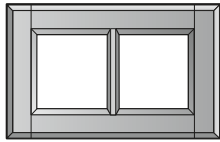


Mullion Frame Door Profiles

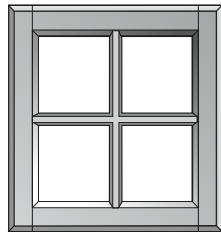
MFD

PROFILE FOR:

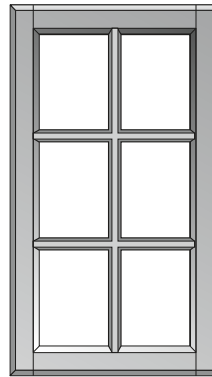
- Clayton



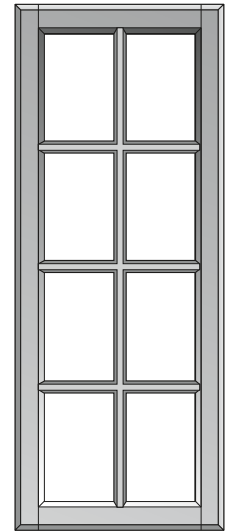
12" High Wall Cabinet



15", 18", 21", 24" or 27"
High Wall Cabinet



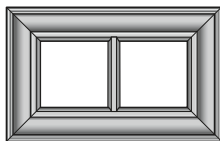
30" or 36" High Wall Cabinet
84" or 90" High Utility Cabinet
84" High Vanity Linen Cabinet



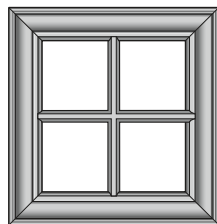
39" or 42" High Wall Cabinet
93" or 96" High Utility Cabinet

PROFILE FOR:

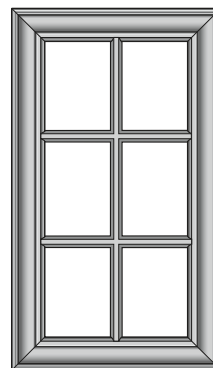
- Elderidge



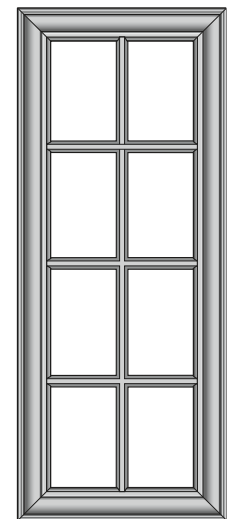
12" High Wall Cabinet



15", 18", 21", 24" or 27"
High Wall Cabinet



30" or 36" High Wall Cabinet
84" or 90" High Utility Cabinet
84" High Vanity Linen Cabinet



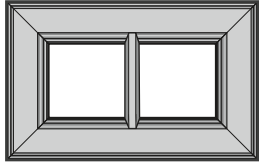
39" or 42" High Wall Cabinet
93" or 96" High Utility

Mullion Frame Door Profiles

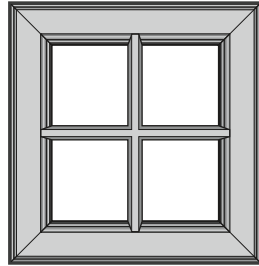
MFD

PROFILE FOR:

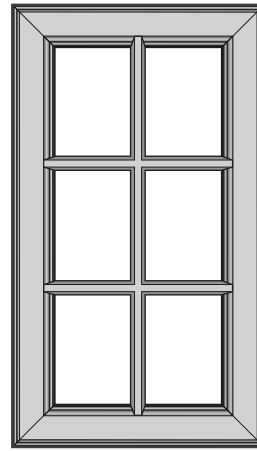
- Abilene



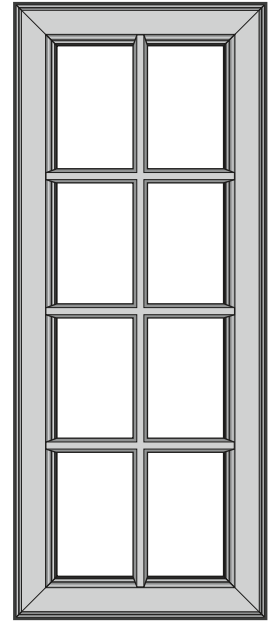
12" High Wall Cabinet



15", 18", 21", 24" or 27"
High Wall Cabinet



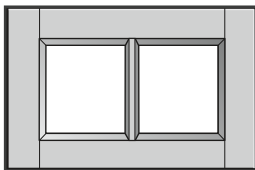
30" or 36" High Wall Cabinet
84" or 90" High Utility Cabinet
84" High Vanity Linen Cabinet



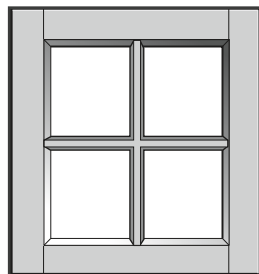
39" or 42" High Wall Cabinet
93" or 96" High Utility

PROFILE FOR:

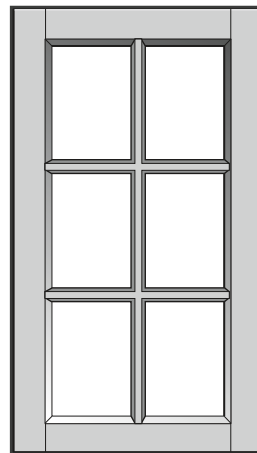
- Bandera



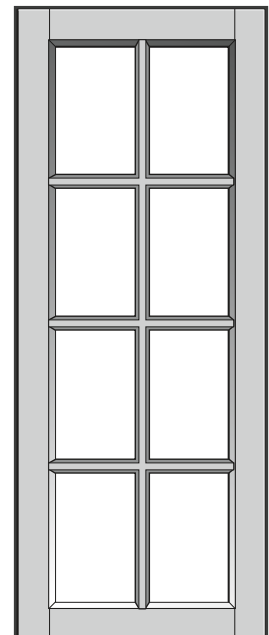
12" High Wall Cabinet



15", 18", 21", 24" or 27"
High Wall Cabinet



30" or 36" High Wall Cabinet
84" or 90" High Utility Cabinet
84" High Vanity Linen Cabinet



39" or 42" High Wall Cabinet
93" or 96" High Utility

Clear Glass



OFD
MFD

- 1/8" thick panel
- Clear glass
- Tempered safety glass
- Includes appropriate Decorative Glass Clips
- Order as DGI-___ CLEAR, refer to Parts Directory for nomenclature and dimensions

Derbyshire Seeded Glass



OFD
MFD

- 5/16" thick panel
- Clear seeded glass
- Laminated safety glass
- Includes appropriate Decorative Glass Clips
- Order as DGI-___ DERBYSHIRE, refer to Parts Directory for nomenclature and dimensions

Frosted Glass



OFD
MFD

- 1/8" thick panel
- Frosted glass with etched finish
- Tempered safety glass
- Includes appropriate Decorative Glass Clips
- Order as DGI-___ FROSTED, refer to Parts Directory for nomenclature and dimensions

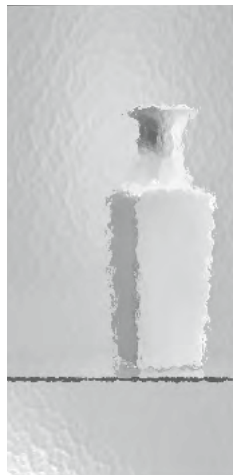
Frosted Ash Glass



OFD
MFD

- 1/8" thick panel
- Gray tinted glass
- Tint is manufactured in material - not a film
- Tempered safety glass
- Includes appropriate Decorative Glass Clips
- Order as DGI-___ FROSTED ASH, refer to Parts Directory for nomenclature and dimensions

Impression Glass



OFD
MFD

- 1/8" thick panel
- Sculptural glass
- Tempered safety glass
- Includes appropriate Decorative Glass Clips
- Order as DGI-___ IMPRESSION, refer to Parts Directory for nomenclature and dimensions

Meredith Glass



OFD

- 1/4" overall thickness (1/8" beveled edge thickness)
- Clear glass design with 1 1/4" wide beveled edges
- Tempered safety glass
- Includes appropriate Decorative Glass Clips
- Order as DGI-___ MEREDITH, refer to Parts Directory for nomenclature and dimensions

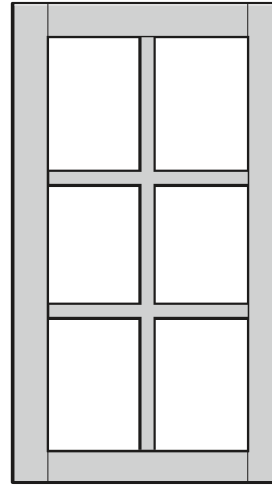
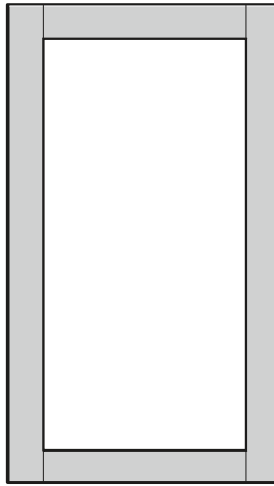
Ribbed Glass



OFD
MFD

- 5/8" thick panel
- Clear ribbed glass
- Tempered safety glass
- Includes appropriate Decorative Glass Clips
- Not available for Wall Top Hinge Cabinets
- Order as DGI-____ RIBBED, refer to Parts Directory for nomenclature and dimensions

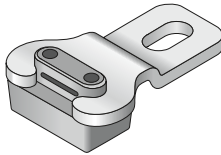
Prepped for Glass



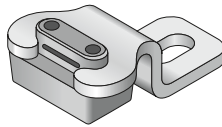
OFD
MFD

- For customer installed inserts up to 5/8" thick
- Refer to pages 65–67 for standard profiles
- Decorative Glass Clips not included—order separately

Decorative Glass Clips



CLIP DGI 1/8



CLIP DGI 5/16

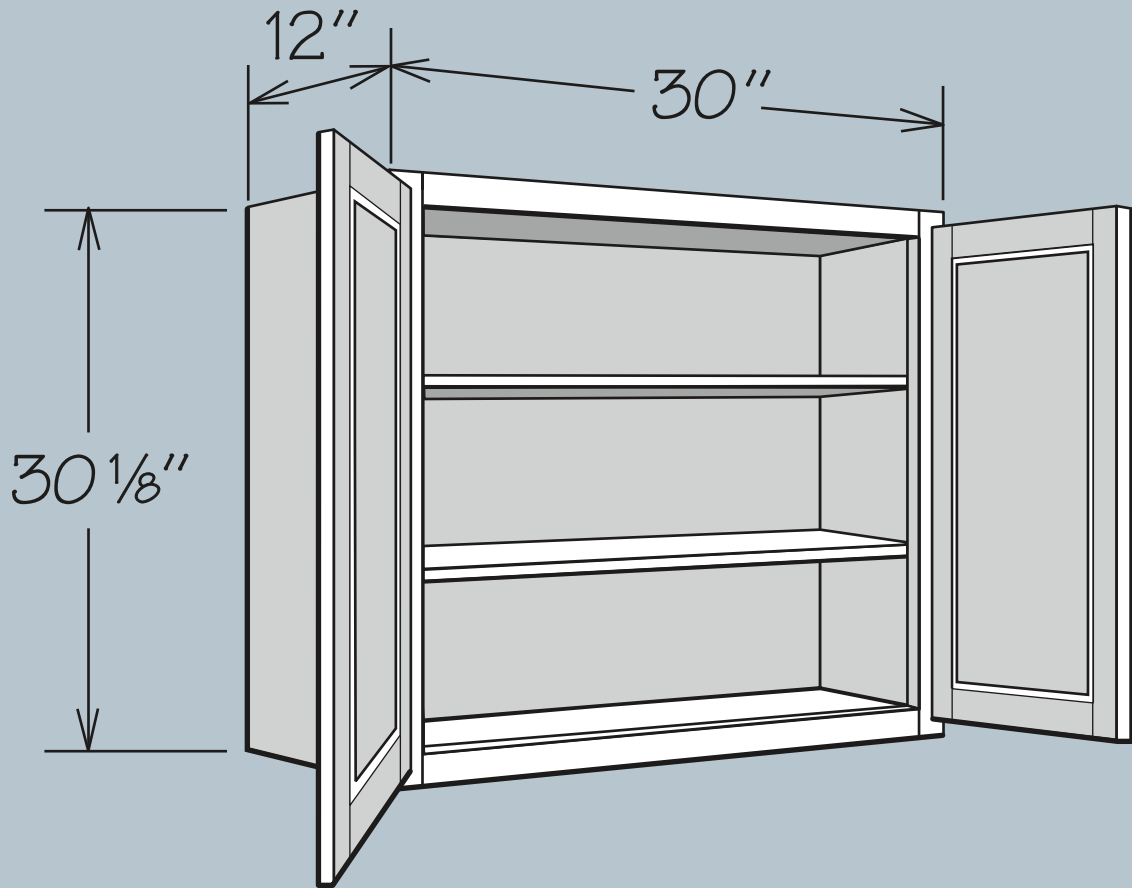
Glass Insert	CLIP DGI 1/8	CLIP DGI 5/16
Clear	●	
Derbyshire		●
Frosted	●	
Frosted Ash	●	
Impression	●	
Meredith	●	
Ribbed	●	

- For installation of decorative glass insert
- Order one bag (six clips) per door

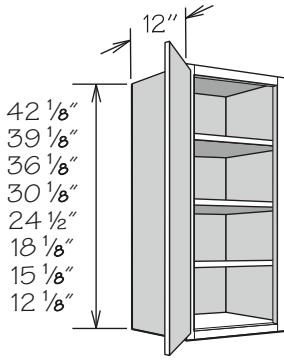
CLIP DGI 1/8
CLIP DGI 5/16

Notes

WALL CABINETS



Wall Cabinets • 1 Door



42" High Shown

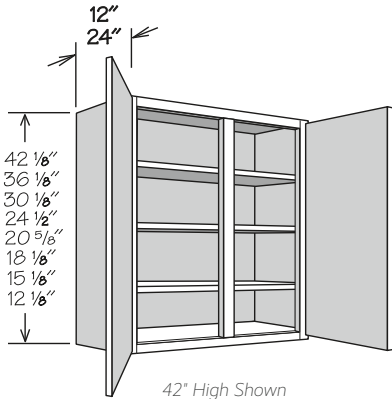
- Specialty Door cabinets (SD) feature Matching Interior standard and require a specialty door selection
- Must be ordered as hinged left or right
- 18", 15" and 12" high wall cabinets are not drilled for adjustable shelf

APC
CCH
CFO
FE
ID
MI ■
PE
RD
VDO ■

12" DEEP

42"H • 3 Shelves	39"H • 3 Shelves	36"H • 2 Shelves	30"H • 2 Shelves	24"H • 1 Shelf	18"H • No Shelf	15"H • No Shelf	12"H • No Shelf
W942 ■	W939 ■	W936 ■	W930 ■	W1224 ■	W1218 ■	W1215 ■	W1212 ■
W1242 ■	W1239 ■	W1236 ■	W1230 ■	W1524 ■	W1518 ■	W1515 ■	W1512 ■
W1542 ■	W1539 ■	W1536 ■	W1530 ■	W1824 ■	W1818 ■	W1815 ■	W1812 ■
W1842 ■	W1839 ■	W1836 ■	W1830 ■	W2124 ■	W2118 ■	W2115 ■	W2112 ■
W2142 ■	W2139 ■	W2136 ■	W2130 ■	W1224 SD	W1218 SD	W1215 SD	W1212 SD
W1242 SD	W1239 SD	W1236 SD	W2430 ■	W1524 SD	W1518 SD	W1515 SD	W1512 SD
W1542 SD	W1539 SD	W1536 SD	W1230 SD	W1824 SD	W1818 SD	W1815 SD	W1812 SD
W1842 SD	W1839 SD	W1836 SD	W1530 SD	W2124 SD	W2118 SD	W2115 SD	W2112 SD
W2142 SD	W2139 SD	W2136 SD	W1830 SD				
			W2130 SD				

Wall Cabinets • 2 Doors



42" High Shown

- Specialty Door cabinets (SD) feature Matching Interior standard and require a specialty door selection
- 24" deep cabinets feature half-depth shelf where applicable
- 24" deep cabinets must be installed by:
 - » Securely attaching to studs in back wall and both sides or to studs in back wall, one side and top (e.g. two adjacent cabinets or one adjacent cabinet and a wall)
 - » And must be either stacked, floor mounted or installed over a refrigerator
- 21", 18", 15" and 12" high wall cabinets are not drilled for adjustable shelf
- Center shelf support provided (where applicable)

APC
CCH
CFO
FE
MI ■
PE
RD
VDO ■

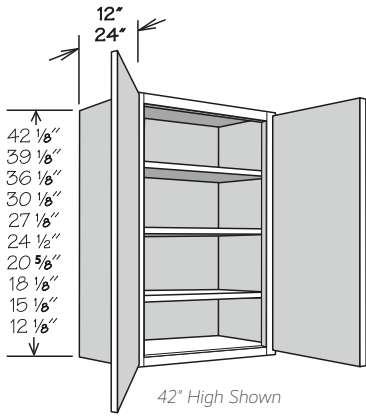
12" DEEP

42"H • 3 Shelves	36"H • 2 Shelves	30"H • 2 Shelves	24"H • 1 Shelf	18"H • No Shelf	15"H • No Shelf
W3942 ■	W3936 ■	W3930 ■	W3924 ■	W3918 ■	W3915 ■
W4242 ■	W4236 ■	W4230 ■	W4224 ■	W4218 ■	W3915 SD
W3942 SD	W4236 SD	W4830 ■	W3924 SD	W3918 SD	
W4242 SD	W3936 SD	W4230 SD	W4224 SD	W4218 SD	
	W4236 SD				
	W3936 SD				
	W4236 SD				
	W3936 SD				
	W4236 SD				

24" DEEP

24"H • 1 Shelf	21"H • No Shelf	18"H • No Shelf	15"H • No Shelf	12"H • No Shelf
W3924 X 24 DP ■	W3921 X 24 DP ■	W3918 X 24 DP ■	W3915 X 24 DP ■	W3912 X 24 DP ■
W3924 X 24 DP SD	W3921 X 24 DP SD	W3918 X 24 DP SD	W3915 X 24 DP SD	W3912 X 24 DP SD

Wall Cabinets • 2 Butt Doors



- Specialty Door cabinets (SD) feature Matching Interior standard and require a specialty door selection
- 24" deep cabinets feature half-depth shelf where applicable
- 24" deep cabinets must be securely attached in one of the following combinations: to studs in back wall and both sides OR to studs in back wall, one side and top (e.g. two adjacent cabinets or one adjacent cabinet and a wall) or installed over a refrigerator
- 21", 18", 15" and 12" high wall cabinets are not drilled for adjustable shelf

APC
CCH
CFO
FE
ID ◆
MI ■
PE
RD
VDO ■

12" DEEP

42"H • 3 Shelves

W2442 BUTT ■◆
W2742 BUTT ■◆
W3042 BUTT ■◆
W3342 BUTT ■◆
W3642 BUTT ■◆
W2442 BUTT SD ◆
W2742 BUTT SD ◆
W3042 BUTT SD ◆
W3342 BUTT SD ◆
W3642 BUTT SD ◆

39"H • 3 Shelves

W2439 BUTT ■◆
W2739 BUTT ■◆
W3039 BUTT ■◆
W3339 BUTT ■◆
W3639 BUTT ■◆
W2439 BUTT SD ◆
W2739 BUTT SD ◆
W3039 BUTT SD ◆
W3339 BUTT SD ◆
W3639 BUTT SD ◆

36"H • 2 Shelves

W2436 BUTT ■◆
W2736 BUTT ■◆
W3036 BUTT ■◆
W3336 BUTT ■◆
W3636 BUTT ■◆
W2436 BUTT SD ◆
W2736 BUTT SD ◆
W3036 BUTT SD ◆
W3336 BUTT SD ◆
W3636 BUTT SD ◆

30"H • 2 Shelves

W2430 BUTT ■◆
W2730 BUTT ■◆
W3030 BUTT ■◆
W3330 BUTT ■◆
W3630 BUTT ■◆
W2430 BUTT SD ◆
W2730 BUTT SD ◆
W3030 BUTT SD ◆
W3330 BUTT SD ◆
W3630 BUTT SD ◆

27"H • 1 Shelf

W3027 BUTT ■◆
W3027 BUTT SD ◆

24"H • 1 Shelf

W2424 BUTT ■◆
W2724 BUTT ■◆
W3024 BUTT ■◆
W3324 BUTT ■◆
W3624 BUTT ■◆
W2424 BUTT SD ◆
W2724 BUTT SD ◆
W3024 BUTT SD ◆
W3324 BUTT SD ◆
W3624 BUTT SD ◆

21"H • No Shelf

W3021 BUTT ■◆
W3321 BUTT ■◆
W3621 BUTT ■◆
W3021 BUTT SD ◆
W3321 BUTT SD ◆
W3621 BUTT SD ◆

18"H • No Shelf

W2418 BUTT ■◆
W2718 BUTT ■◆
W3018 BUTT ■◆
W3318 BUTT ■◆
W3618 BUTT ■◆
W2418 BUTT SD ◆
W2718 BUTT SD ◆
W3018 BUTT SD ◆
W3318 BUTT SD ◆
W3618 BUTT SD ◆

15"H • No Shelf

W2415 BUTT ■◆
W2715 BUTT ■◆
W3015 BUTT ■◆
W3315 BUTT ■◆
W3615 BUTT ■◆
W2415 BUTT SD ◆
W2715 BUTT SD ◆
W3015 BUTT SD ◆
W3315 BUTT SD ◆
W3615 BUTT SD ◆

12"H • No Shelf

W2412 BUTT ■◆
W2712 BUTT ■◆
W3012 BUTT ■◆
W3312 BUTT ■◆
W3612 BUTT ■◆
W2412 BUTT SD ◆
W2712 BUTT SD ◆
W3012 BUTT SD ◆
W3312 BUTT SD ◆
W3612 BUTT SD ◆

24" DEEP

27"H • 1 Shelf

W3027 X 24 DP BUTT ■
W3027 X 24 DP BUTT SD

24"H • 1 Shelf

W3024 X 24 DP BUTT ■
W3324 X 24 DP BUTT ■
W3624 X 24 DP BUTT ■
W3724 X 24 DP BUTT ■
W3024 X 24 DP BUTT SD
W3324 X 24 DP BUTT SD
W3624 X 24 DP BUTT SD
W3724 X 24 DP BUTT SD

21"H • No Shelf

W3021 X 24 DP BUTT ■
W3321 X 24 DP BUTT ■
W3621 X 24 DP BUTT ■
W3721 X 24 DP BUTT ■
W3021 X 24 DP BUTT SD
W3321 X 24 DP BUTT SD
W3621 X 24 DP BUTT SD
W3721 X 24 DP BUTT SD

18"H • No Shelf

W3018 X 24 DP BUTT ■
W3318 X 24 DP BUTT ■
W3618 X 24 DP BUTT ■
W3718 X 24 DP BUTT ■
W3018 X 24 DP BUTT SD
W3318 X 24 DP BUTT SD
W3618 X 24 DP BUTT SD
W3718 X 24 DP BUTT SD

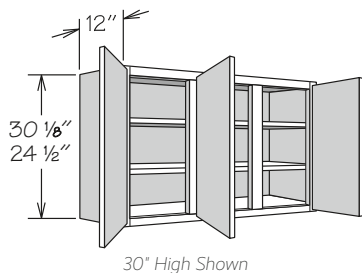
15"H • No Shelf

W3015 X 24 DP BUTT ■
W3315 X 24 DP BUTT ■
W3615 X 24 DP BUTT ■
W3715 X 24 DP BUTT ■
W3015 X 24 DP BUTT SD
W3315 X 24 DP BUTT SD
W3615 X 24 DP BUTT SD
W3715 X 24 DP BUTT SD

12"H • No Shelf

W3012 X 24 DP BUTT ■
W3312 X 24 DP BUTT ■
W3612 X 24 DP BUTT ■
W3712 X 24 DP BUTT ■
W3012 X 24 DP BUTT SD
W3312 X 24 DP BUTT SD
W3612 X 24 DP BUTT SD
W3712 X 24 DP BUTT SD

Wall Cabinets • 3 Doors



- Specialty Door cabinets (SD) feature Matching Interior standard and require a specialty door selection
- Hinged as shown
- 12" high wall cabinets are not drilled for adjustable shelf
- Center shelf support provided (where applicable)

APC
CCH
CFO
FE
MI ■
PE
RD
VDO ■

12" DEEP

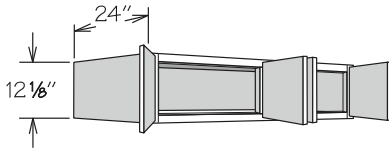
30"H • 2 Shelves

W4530 ■
W4530 SD

24"H • 1 Shelf

W4524 ■
W4524 SD

Wall Cabinets • 4 Butt Doors



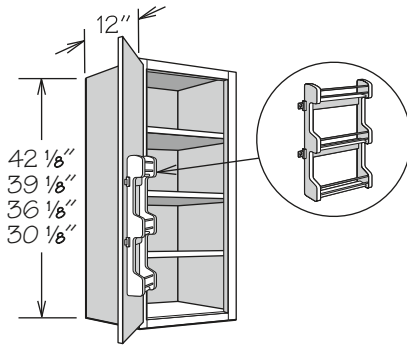
- Not drilled for adjustable shelf
- 24" deep cabinets must be installed by:
 - » Securely attaching to studs in back wall and both sides or to studs in back wall, one side and top (e.g. two adjacent cabinets or one adjacent cabinet and a wall)
 - » And must be either stacked, floor mounted or installed over a refrigerator

APC
CCH
CFO
FE
MI ■
PE
RD
VDO ■

24" DEEP

12"H • No Shelf
W4812 X 24 DP BUTT

Wall Cabinet with Spice Rack • 1 Door



42" High Shown

- Spice Rack Kit packaged separately for field installation
- Position adjustable shelves prior to installation
- Kit in natural finish solid wood features chrome rails and three fixed shelves
- Must be ordered as hinged left or right

APC
CCH
FE
ID
MI
PE

12" DEEP

42"H • 3 Shelves

W1542 SR
W1842 SR
W2142 SR

39"H • 3 Shelves

W1539 SR
W1839 SR
W2139 SR

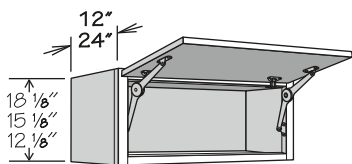
36"H • 2 Shelves

W1536 SR
W1836 SR
W2136 SR

30"H • 2 Shelves

W1530 SR
W1830 SR
W2130 SR

Wall Top Hinge • 1 Door



15" High Shown

- Features one pair of factory installed, field adjustable lid stays that supports door securely at any angle up to 105°
- Cabinet can be flipped to open downwards and lid stay can be adjusted to support door
- Door rail and stile configuration and insert panel grain direction will differ from standard wall cabinets, except Lubbock Duraform (Breeze and Drift)
- Lubbock Duraform (Breeze and Drift) features a door with vertical grain direction to match standard wall cabinets
- Specialty Door cabinets (SD) feature Matching Interior standard and require a specialty door selection
- MFD not available on Wall Top Hinge Specialty Door cabinets
- 24" deep cabinets must be installed by:
 - » Securely attaching to studs in back wall and both sides or to studs in back wall, one side and top (e.g. two adjacent cabinets or one adjacent cabinet and a wall)
 - » And must be either stacked, floor mounted or installed over a refrigerator

APC
FE
ID ◆
MI ■
PE
RD
VDO ■

12" DEEP

18"H • No Shelf

WTH3018 ■ ◆
WTH3618 ■ ◆
WTH3018 SD ◆
WTH3618 SD ◆

15"H • No Shelf

WTH3015 ■ ◆
WTH3615 ■ ◆
WTH3015 SD ◆
WTH3615 SD ◆

12"H • No Shelf

WTH4212 ■
WTH4212 SD

24" DEEP

18"H • No Shelf

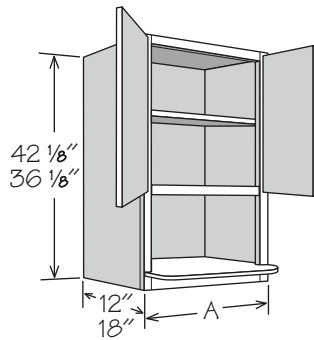
WTH3018 X 24 DP ■
WTH3618 X 24 DP ■
WTH3018 X 24 DP SD
WTH3618 X 24 DP SD

15"H • No Shelf

WTH3015 X 24 DP ■
WTH3615 X 24 DP ■
WTH3015 X 24 DP SD
WTH3615 X 24 DP SD

Wall Microwave Cabinets • 2 Butt Doors

APC
CCH
FE
PE
RD
VDO



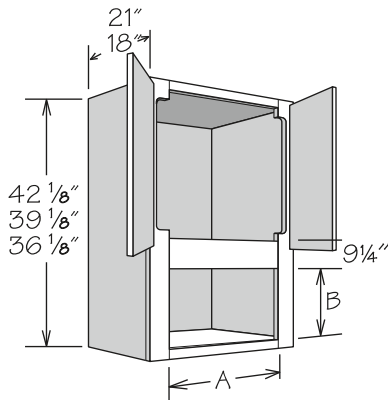
42" High Shown

- Must be installed between two adjacent cabinets or a cabinet and a wall
- Cabinet interior and microwave shelf are finished to match cabinet box exterior
- 3/4" plywood microwave shelf included
- Designed to accommodate countertop style microwave
- Refer to appliance manufacturer's specifications for adequate clearances
- 36" high wall cabinets are not drilled for adjustable shelf

12" DEEP	A	LOWER FRAME OPENING		
		WIDTH	HEIGHT	DEPTH
36"H • No Shelf				
WMSC271236 BUTT	27"	23 3/4"	18 5/8"	17 3/4"
WMSC301236 BUTT	30"	26 3/4"	18 5/8"	17 3/4"
WCMSC241236 BUTT	24"	20 3/4"	15 5/8"	17 3/4"
WCMSC271236 BUTT	27"	23 3/4"	15 5/8"	17 3/4"
18" DEEP				
42"H • 1 Shelf				
WMSC271842 BUTT	27"	23 3/4"	15 1/4"	23 3/4"
36"H • No Shelf				
WMSC271836 BUTT	27"	23 3/4"	18 5/8"	23 3/4"

Microwave Wall Cabinets • 2 Butt Doors

APC
CCH
FE
ID
MI
PE
RD

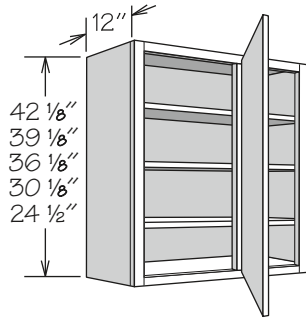


42" High Shown

- Must be installed between two cabinets or a cabinet and a wall
- Designed to accommodate microwaves with trim kit
- A cutout exists in the door area where the 3/8" stiles are routed to 1 5/8"
- Refer to appliance manufacturers specifications for adequate clearances
- Not drilled for adjustable shelf

18" DEEP	A ACTUAL	A MAX.	B ACTUAL	B MAX. (FOL)	B MAX. (POL)
42"H • No Shelf					
WMC301842 BUTT	23 3/4"	28"	12 1/4"	19 1/2"	20"
39"H • No Shelf					
WMC271839 BUTT	20 3/4"	25"	11 3/4"	19 1/2"	20"
WMC301839 BUTT	23 3/4"	28"	11 3/4"	19 1/2"	20"
36"H • No Shelf					
WMC271836 BUTT	20 3/4"	25"	11 3/4"	19 1/2"	20"
WMC301836 BUTT	23 3/4"	28"	11 3/4"	19 1/2"	20"
21" DEEP					
42"H • No Shelf					
WMC302142 BUTT	23 3/4"	28"	12 1/4"	19 1/2"	20"
39"H • No Shelf					
WMC272139 BUTT	20 3/4"	25"	11 3/4"	19 1/2"	20"
WMC302139 BUTT	23 3/4"	28"	11 3/4"	19 1/2"	20"
36"H • No Shelf					
WMC272136 BUTT	20 3/4"	25"	11 3/4"	19 1/2"	20"
WMC302136 BUTT	23 3/4"	28"	11 3/4"	19 1/2"	20"

Blind Wall Cabinet • 1 Door



42" High Shown

- Cabinet shown as right indicating blind opening is on the right side of cabinet (must be ordered as left or right)
- Includes 1/8" panel to cover blind opening (field trim and install)
- Refer to Blind Wall Cabinet Installation Chart for specifications
- Must order Universal Filler separately
- Specialty Door cabinets (SD) feature Matching Interior standard and require a specialty door selection

APC
CCH
CFO
FE
ID
MI ■
PE
RD
VDO ■

12" DEEP

42"H • 3 Shelves

- BLW24/2742 ■
- BLW30/3342 ■
- BLW33/3642 ■
- BLW24/2742 SD
- BLW30/3342 SD
- BLW33/3642 SD

39"H • 3 Shelves

- BLW24/2739 ■
- BLW30/3339 ■
- BLW33/3639 ■
- BLW24/2739 SD
- BLW30/3339 SD
- BLW33/3639 SD

36"H • 2 Shelves

- BLW24/2736 ■
- BLW30/3336 ■
- BLW33/3636 ■
- BLW24/2736 SD
- BLW30/3336 SD
- BLW33/3636 SD

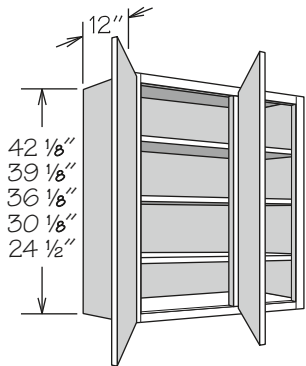
30"H • 2 Shelves

- BLW24/2730 ■
- BLW27/3030 ■
- BLW30/3330 ■
- BLW33/3630 ■
- BLW36/3930 ■
- BLW24/2730 SD
- BLW27/3030 SD
- BLW30/3330 SD
- BLW33/3630 SD

24"H • 1 Shelf

- BLW24/2724 ■
- BLW27/3024 ■
- BLW30/3324 ■
- BLW33/3624 ■
- BLW24/2724 SD
- BLW27/3024 SD
- BLW30/3324 SD
- BLW33/3624 SD

Blind Wall Cabinet • 2 Butt Doors



42" High Shown

- Cabinet shown as right indicating blind opening is on the right side of cabinet (can be reversed in the field)
- Includes 1/8" panel to cover blind opening (field trim and install)
- Refer to Blind Wall Cabinet Installation Chart for specifications
- Must order Universal Filler separately
- Specialty Door cabinets (SD) feature Matching Interior standard and require a specialty door selection
- Center shelf support provided for cabinets 39" or wider

APC
CCH
CFO
FE
ID ◆
MI ■
PE
RD
VDO ■

12" DEEP

42"H • 3 Shelves

- BLW36/3942 BUTT ■ ◆
- BLW39/4242 BUTT ■
- BLW42/4542 BUTT ■
- BLW36/3942 BUTT SD ◆
- BLW39/4242 BUTT SD
- BLW42/4542 BUTT SD

39"H • 3 Shelves

- BLW36/3939 BUTT ■ ◆
- BLW39/4239 BUTT ■
- BLW42/4539 BUTT ■
- BLW36/3939 BUTT SD ◆
- BLW39/4239 BUTT SD
- BLW42/4539 BUTT SD

36"H • 2 Shelves

- BLW36/3936 BUTT ■ ◆
- BLW39/4236 BUTT ■
- BLW42/4536 BUTT ■
- BLW36/3936 BUTT SD ◆
- BLW39/4236 BUTT SD
- BLW42/4536 BUTT SD

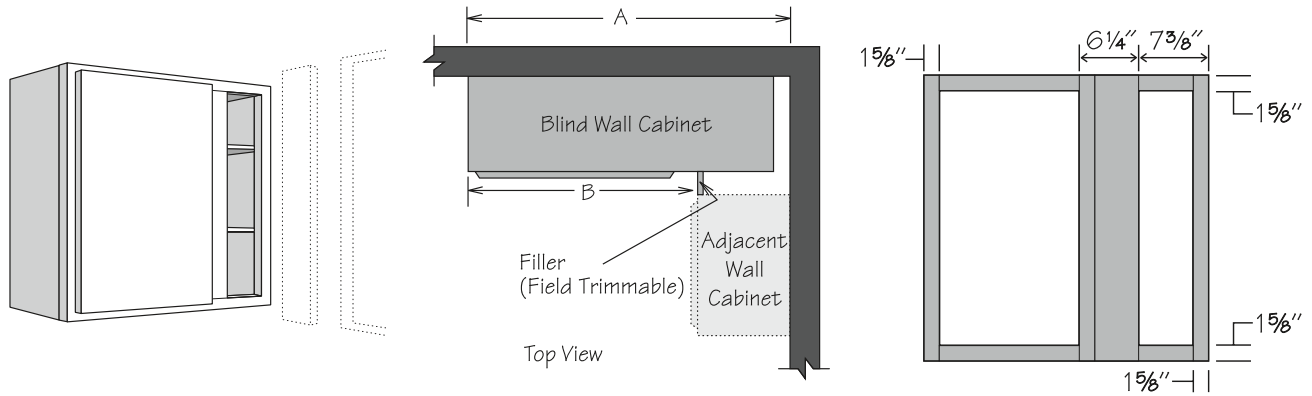
30"H • 2 Shelves

- BLW36/3930 BUTT ■ ◆
- BLW39/4230 BUTT ■
- BLW42/4530 BUTT ■
- BLW45/4830 BUTT ■
- BLW48/5130 BUTT ■
- BLW36/3930 BUTT SD ◆
- BLW39/4230 BUTT SD
- BLW42/4530 BUTT SD
- BLW45/4830 BUTT SD
- BLW48/5130 BUTT SD

24"H • 1 Shelf

- BLW36/3924 BUTT ■ ◆
- BLW36/3924 BUTT SD ◆

Blind Wall Cabinet Installation Chart



Full Overlay Door Styles

Full Overlay door styles require decorative hardware, which has been calculated into dimensions.

CABINET	ACTUAL CABINET WIDTH	DOOR OPENING	DOOR(S)	WALL SPACE A			EXPOSED FRAME B	
				MINIMUM SPACE*	MAXIMUM PULL	MAXIMUM SPACE	MINIMUM SPACE*	MAXIMUM SPACE
BLW24/27_	24"	8 3/4"	DR12__	26 1/4"	1 3/4"	28"	14 1/4"	16"
BLW27/30_	27"	11 3/4"	DR15__	29 1/4"	1 3/4"	31"	17 1/4"	19"
BLW30/33_	30"	14 3/4"	DR18__	32 1/4"	1 3/4"	34"	20 1/4"	22"
BLW33/36_	33"	17 3/4"	DR21__	35 1/4"	1 3/4"	37"	23 1/4"	25"
BLW36/3930	36"	20 3/4"	DR2430	38 1/4"	1 3/4"	40"	26 1/4"	28"
BLW36/39_ BUTT	36"	20 3/4"	DR12__ BUTT (2)	38 1/4"	1 3/4"	40"	26 1/4"	28"
BLW39/42_ BUTT	39"	23 3/4"	DR13__ BUTT (2)	41 1/4"	1 3/4"	43"	29 1/4"	31"
BLW42/45_ BUTT	42"	26 3/4"	DR15__ BUTT (2)	44 1/4"	1 3/4"	46"	32 1/4"	34"
BLW45/48_ BUTT	45"	29 3/4"	DR16__ BUTT (2)	47 1/4"	1 3/4"	49"	35 1/4"	37"
BLW48/51_ BUTT	48"	32 3/4"	DR18__ BUTT (2)	50 1/4"	1 3/4"	52"	38 1/4"	40"

*Dimension requirements do not include optional Overlay Fillers - add 1 7/8" if Overlay Fillers will be used.

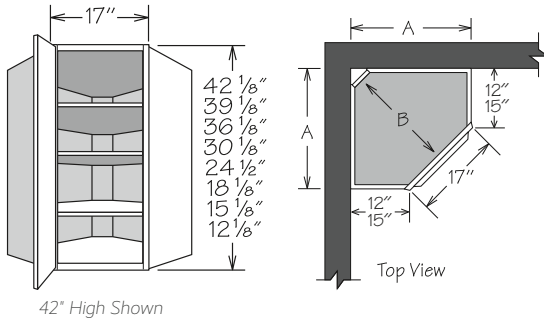
Partial Overlay Door Styles

Wall Space A requirements include optional decorative hardware clearance. 1/4" may be deducted if decorative hardware is not used.

CABINET	ACTUAL CABINET WIDTH	DOOR OPENING	DOOR(S)	WALL SPACE A			EXPOSED FRAME B	
				MINIMUM SPACE	MAXIMUM PULL	MAXIMUM SPACE	MINIMUM SPACE	MAXIMUM SPACE
BLW24/27_	24"	8 3/4"	DR12__	25 3/8"	2 5/8"	28"	13 3/8"	16"
BLW27/30_	27"	11 3/4"	DR15__	28 3/8"	2 5/8"	31"	16 3/8"	19"
BLW30/33_	30"	14 3/4"	DR18__	31 3/8"	2 5/8"	34"	19 3/8"	22"
BLW33/36_	33"	17 3/4"	DR21__	34 3/8"	2 5/8"	37"	22 3/8"	25"
BLW36/3930	36"	20 3/4"	DR2430	37 3/8"	2 5/8"	40"	25 3/8"	28"
BLW36/39_ BUTT	36"	20 3/4"	DR12__ BUTT (2)	37 3/8"	2 5/8"	40"	25 3/8"	28"
BLW39/42_ BUTT	39"	23 3/4"	DR13__ BUTT (2)	40 3/8"	2 5/8"	43"	28 3/8"	31"
BLW42/45_ BUTT	42"	26 3/4"	DR15__ BUTT (2)	43 3/8"	2 5/8"	46"	31 3/8"	34"
BLW45/48_ BUTT	45"	29 3/4"	DR16__ BUTT (2)	46 3/8"	2 5/8"	49"	34 3/8"	37"
BLW48/51_ BUTT	48"	32 3/4"	DR18__ BUTT (2)	49 3/8"	2 5/8"	52"	37 3/8"	40"

Corner Wall Cabinets

APC
CCH
FE
MI ■
PE
VDO ■



- Must be ordered as hinged left or right
- Door opening is 11 3/4" wide
- Features a DR15_ door
- Specialty Door cabinets (SD) feature Matching Interior standard and require a specialty door selection
- 24" high cabinet's shelf is adjustable, not removable
- Glass Shelf Kit is not available for 18" or 24" high cabinets

	A	B
12" Deep	24"	21 1/2"
15" Deep	27"	25 3/4"

12" DEEP

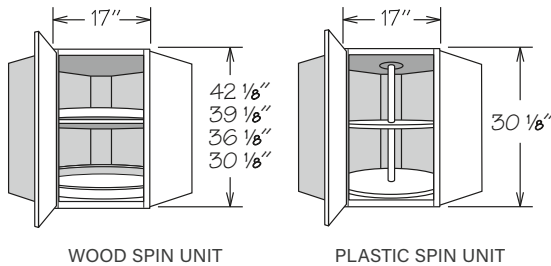
42"H • 3 Shelves	39"H • 3 Shelves	36"H • 2 Shelves	30"H • 2 Shelves	24"H • 1 Shelf	18"H • No Shelf
CW2442 ■	CW2439 ■	CW2436 ■	CW2430 ■	CW2424 ■	CW2418 ■
CW2442 SD	CW2439 SD	CW2436 SD	CW2430 SD	CW2424 SD	CW2418 SD
15"H • No Shelf	12"H • No Shelf				
CW2415 ■	CW2412 ■				
CW2415 SD	CW2412 SD				

15" DEEP

42"H • 3 Shelves	39"H • 3 Shelves	36"H • 2 Shelves	30"H • 2 Shelves	24"H • 1 Shelf	18"H • No Shelf
CW2742 ■	CW2739 ■	CW2736 ■	CW2730 ■	CW2724 ■	CW2718 ■
CW2742 SD	CW2739 SD	CW2736 SD	CW2730 SD	CW2724 SD	CW2718 SD
15"H • No Shelf	12"H • No Shelf				
CW2715 ■	CW2712 ■				
CW2715 SD	CW2712 SD				

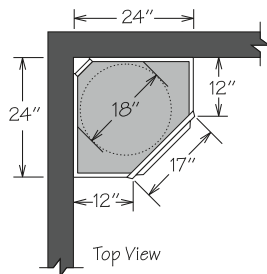
Corner Wall Cabinets • Spin Units

APC
CCH
FE
MI ■
PE
VDO ■



30" High Shown

- Must be ordered as hinged left or right
- Door opening is 11 3/4" wide
- Features a DR15_ door
- Wood Spin Units feature:
 - » One fixed spin unit mounted on cabinet floor and all other spin units are attached to 3/4" adjustable shelf
 - » Natural wood finish with 1" lip
- Plastic Spin Units feature:
 - » Two spin shelves with pole (top shelf adjustable)
 - » White high strength plastic shelves
- Specialty Door cabinets (SD) feature Matching Interior standard and require a specialty door selection



WOOD SPIN UNIT

- 42"H • 3 Spin Units**
 CWS2442 WD ■
 CWS2442 WD SD
- 39"H • 3 Spin Units**
 CWS2439 WD ■
 CWS2439 WD SD

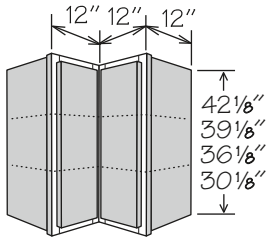
- 36"H • 2 Spin Units**
 CWS2436 WD ■
 CWS2436 WD SD

- 30"H • 2 Spin Units**
 CWS2430 WD ■
 CWS2430 WD SD

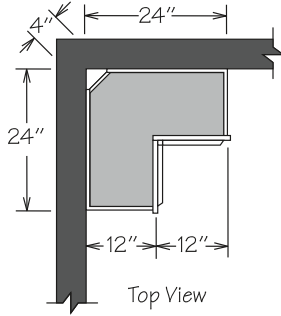
PLASTIC SPIN UNIT

- 30"H • 2 Spin Units**
 CWS2430 ■
 CWS2430 SD

Wall Easy Reach



30" High Shown



Top View

- Stile width and outside profile of both doors at door-to-door hinge may vary from standard dimension and profile for proper door function
- Must be ordered as hinged left or right
- Doors open 170°

APC
FE
MI
PE

12" DEEP

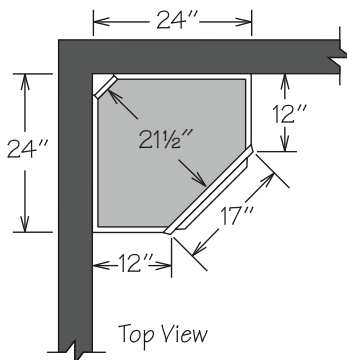
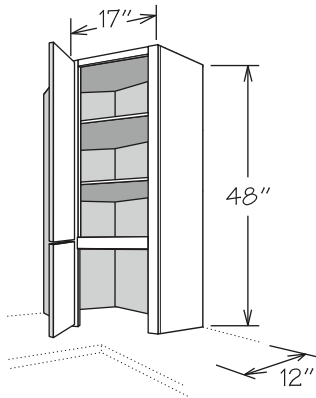
42"H • 3 Shelves
WER2442

36"H • 2 Shelves
WER2436

39"H • 3 Shelves
WER2439

30"H • 2 Shelves
WER2430

Corner Wall Cabinet • Appliance Garage



Top View

- Features two doors:
 - » (1) DR1530
 - » (1) DR1518
- 11 3/4" wide x 26 7/8" high top door opening
- 11 3/4" wide x 16 1/4" high appliance garage opening
- Specialty Door option only applies to top door - DR1518 SD can be ordered separately for appliance garage
- Specialty Door cabinets (SD) feature Matching Interior standard and require a specialty door selection

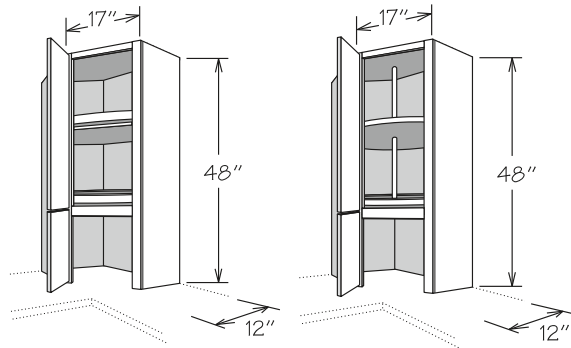
APC
FE
MI ■
PE
VDO ■

12" DEEP

48"H • 2 Shelves
CWD2448 ■
CWD2448 SD

Corner Wall Cabinets • Appliance Garage and Spin Units

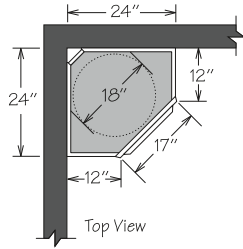
APC
FE
MI ■
PE
VDO ■



- Features two doors:
 - » (1) DR1530
 - » (1) DR1518
- Wood Spin Units feature:
 - » One fixed spin unit mounted on cabinet floor
 - » One spin unit attached to 3/4" adjustable shelf
 - » Natural wood finish with 1" lip
- 11 3/4" wide x 26 7/8" high top door opening
- 11 3/4" wide x 16 1/4" high appliance garage opening
- Specialty Door option only applies to top door - DR1518 SD can be ordered separately for appliance garage
- Specialty Door cabinets (SD) feature Matching Interior standard and require a specialty door selection

WOOD SPIN UNIT

PLASTIC SPIN UNIT



WOOD SPIN UNIT

48"H • 2 Spin Units

- CWDS2448 WD ■
- CWDS2448 WD SD

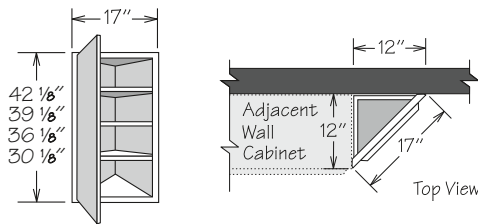
PLASTIC SPIN UNIT

48"H • 2 Spin Units

- CWDS2448 ■
- CWDS2448 SD

Wall End Angle • 1 Door

APC
CCH
MI ■
PE
VDO ■



42" High Shown

- Requires 12" x 12" space
- Features a DR15_ door
- Must be ordered as hinged left or right
- Specialty Door cabinets (SD) feature Matching Interior standard and require a specialty door selection

12" DEEP

42"H • 3 Shelves

- WEA1242 ■
- WEA1242 SD

39"H • 3 Shelves

- WEA1239 ■
- WEA1239 SD

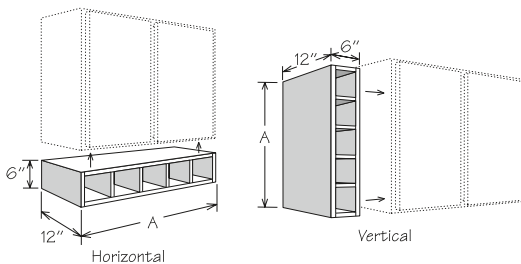
36"H • 2 Shelves

- WEA1236 ■
- WEA1236 SD

30"H • 2 Shelves

- WEA1230 ■
- WEA1230 SD

Storage Cube



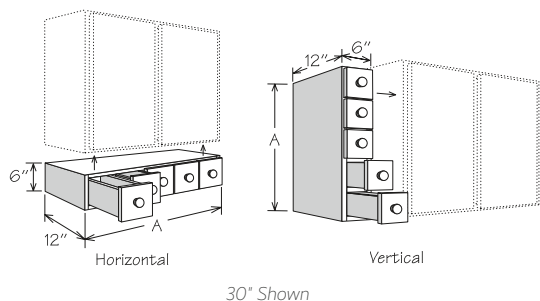
30" Shown

- Designed for horizontal or vertical installation
- Vertical installation may require the use of fillers and/or molding which must be ordered separately
- Opening size is 5" wide x 4 1/2" high (horizontal) which will accommodate most wine bottles and various other storage needs
- All door styles feature 3/4" veneered engineered wood finished to match cabinet box exterior
- Flush sides with no face frame or 1/4" reveals
- Interior finished to match cabinet box exterior
- Cannot be retrofitted with Spice Drawer Cabinet drawers

12" DEEP

	A	NUMBER OF OPENINGS
SC30	30"	5
SC36	36"	6
SC42	42"	7

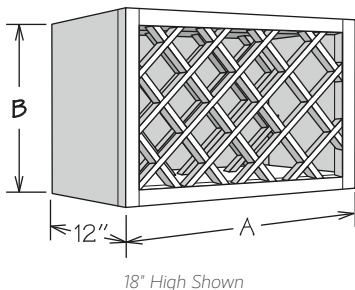
Spice Drawer Cabinet



- Designed for horizontal or vertical installation
- Vertical installation may require the use of fillers and/or molding which must be ordered separately
- All door styles feature veneered engineered wood with 1/2" thick slab drawer fronts
- Flush sides with no face frame or 1/4" reveals
- All wood drawer body with dovetail construction
- Linen and Pewter door styles feature white porcelain knobs and all other finishes feature matching wooden knobs
- Duraform door styles feature drawer fronts finished to match cabinet box exterior

12" DEEP	A	NUMBER OF DRAWERS
SDC18	18"	3
SDC24	24"	4
SDC30	30"	5
SDC36	36"	6

Wine Rack Cabinet

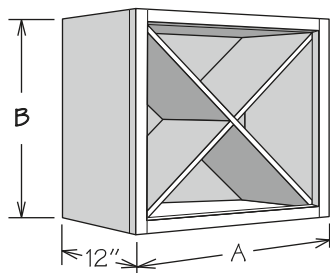


- Features Matching Interior standard
- Wine bottle opening is 4" x 4"
- Cabinets must be installed between two adjacent cabinets, one cabinet and a wall, or secured to a cabinet directly above or below

APC
FE
PE

12" DEEP	A	B	NUMBER OF BOTTLES
18"H			
WRC3018	30"	18 1/8"	11
15"H			
WRC3015	30"	15 1/8"	10
WRC3615	36"	15 1/8"	13

Wine Storage Cabinet

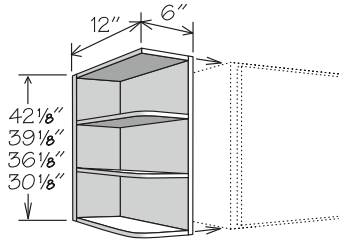


- Features Matching Interior standard
- Standard cabinet sides are 1/2" engineered wood
- All door styles feature 3/4" plywood partitions
- Accent molding recommended - order separately
- Cabinets must be installed between two adjacent cabinets, one cabinet and a wall, or secured to a cabinet directly above or below

APC
FE
PE

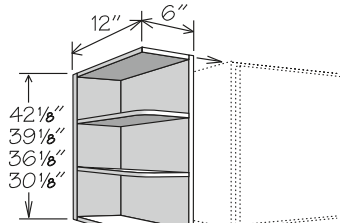
12" DEEP	A	B	NUMBER OF BOTTLES
24"H			
WSC2424	24"	24 1/2"	30
18"H			
WSC1818	18"	18 1/8"	12

Shelf End Wall



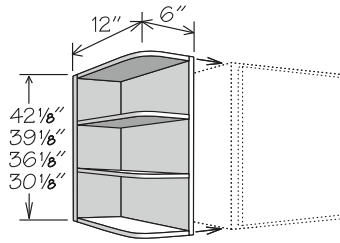
SQUARE TOP, ROUND BOTTOM (SQT)

30" High Shown



SQUARE TOP & BOTTOM (SQTb)

30" High Shown



ROUND TOP & BOTTOM (SEW)

30" High Shown

- Interior finished to match cabinet box exterior
- Features 1/2" veneered engineered wood back and side
- Top, bottom, and shelves are 3/4" veneered engineered wood
- Rounded shelves feature a 3" radius
- 1/8" screw recommended from inside of adjacent cabinet for installation
- Rounded bottom on SEW_ SQT does not allow cabinet to be reversed in the field or installation of bottom molding

12" DEEP

42"H • 3 Shelves

SEW42L SQT
SEW42R SQT
SEW42 SQTb
SEW42

39"H • 3 Shelves

SEW39L SQT
SEW39R SQT
SEW39 SQTb
SEW39

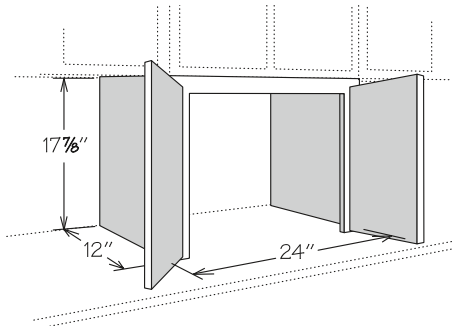
36"H • 2 Shelves

SEW36L SQT
SEW36R SQT
SEW36 SQTb
SEW36

30"H • 2 Shelves

SEW30L SQT
SEW30R SQT
SEW30 SQTb
SEW30

Straight Appliance Garage



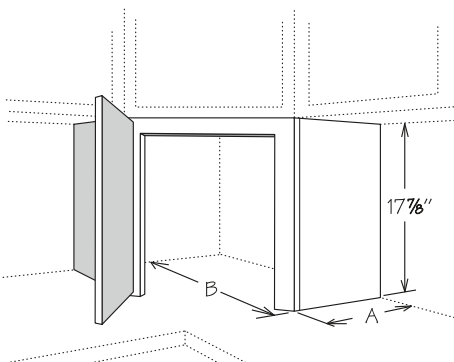
- Installs below minimum 24" wide wall cabinet
- 20 3/4" wide x 15 5/8" high opening
- Shipped with end panels unattached
- No bottom rail

APC
CCH
FE
ID
MI ■
PE
RD
VDO ■

12" DEEP

AGSD24 BUTT ■
AGSD24 BUTT SD

Corner Appliance Garage



- Installs below CW and CWS Corner Wall cabinets
- 11 3/4" wide x 15 5/8" high opening
- Shipped with end panels unattached
- No bottom rail

APC
CCH
FE
MI ■
PE
VDO ■

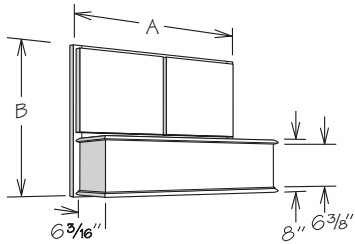
12" DEEP

	A	B
AGD2418 ■	12"	24"
AGD2418 SD	12"	24"

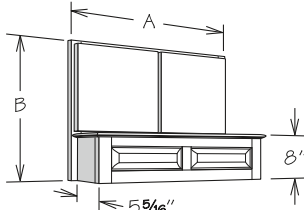
15" DEEP

	A	B
AGD2718 ■	15"	27"
AGD2718 SD	15"	27"

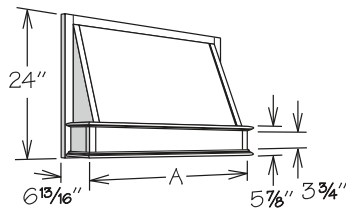
Wall Range Hood



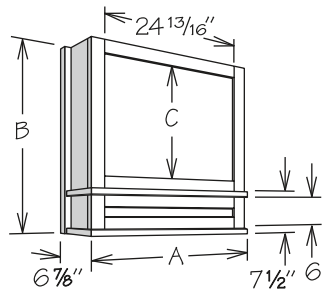
STRAIGHT VALANCE __SV



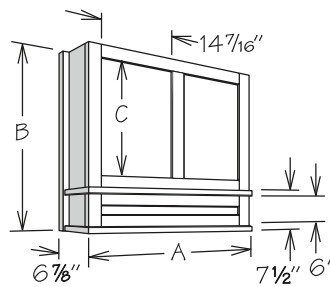
RAISED PANEL __RP



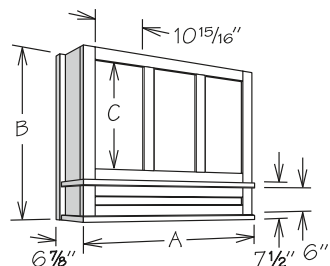
CLASSIC TAPERED __CT



DECORATIVE MANTLE • 1 PANEL



DECORATIVE MANTLE • 2 PANEL



DECORATIVE MANTLE • 3 PANEL

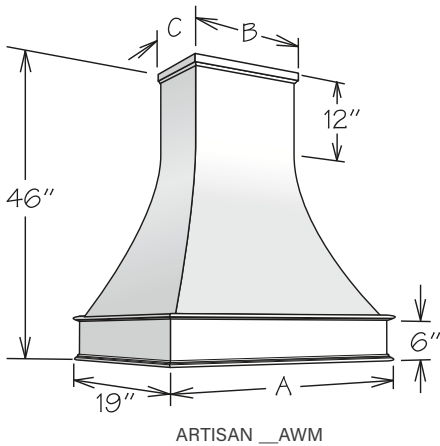
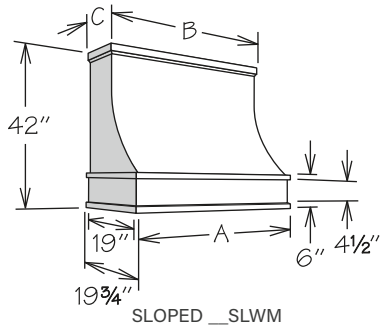
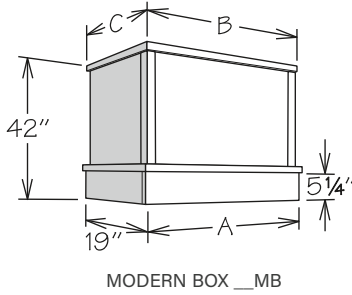
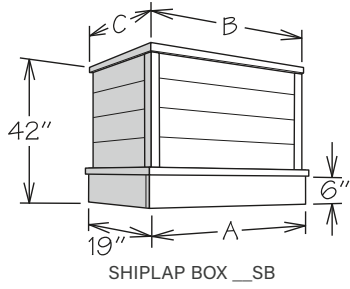
- Must be installed between two wall cabinets
- Silver metallic liner included
- Order range hood blower separately – not for use with RHVENT 960
- All finished surfaces will match cabinet box exterior - glazed finishes will be glazed
- Straight Valance and Raised Panel Range Hoods feature:
 - » Center stile and functioning BUTT doors allow for duct work installation and wiring
 - » Doors will match door style ordered
 - » For Duraform door styles, only the doors will be wrapped

	A	B	C	DOORS
Straight Valance				
WRH3024 SV	30"	24"	—	(2) DR1515 BUTT
WRH3624 SV	36"	24"	—	(2) DR1815 BUTT
WRH3027 SV	30"	27"	—	(2) DR1518 BUTT
WRH3627 SV	36"	27"	—	(2) DR1818 BUTT
WRH3030 SV	30"	30"	—	(2) DR1521 BUTT
WRH3630 SV	36"	30"	—	(2) DR1821 BUTT
Raised Panel				
WRH3024 RP	30"	24"	—	(2) DR1515 BUTT
WRH3624 RP	36"	24"	—	(2) DR1815 BUTT
WRH3027 RP	30"	27"	—	(2) DR1518 BUTT
WRH3627 RP	36"	27"	—	(2) DR1818 BUTT
WRH3030 RP	30"	30"	—	(2) DR1521 BUTT
WRH3630 RP	36"	30"	—	(2) DR1821 BUTT
Classic Tapered				
WRH3024 CT	30"	—	—	—
WRH3624 CT	36"	—	—	—
Decorative Mantle • 1 Panel				
WRH3024 DM	30"	24"	12 5/16"	—
WRH3030 DM	30"	30"	18 5/16"	—
WRH3036 DM	30"	36"	24 5/16"	—
Decorative Mantle • 2 Panel				
WRH3624 DM	36"	24"	12 5/16"	—
WRH3630 DM	36"	30"	18 5/16"	—
WRH3636 DM	36"	36"	24 5/16"	—
Decorative Mantle • 3 Panel				
WRH4236 DM	42"	36"	24 5/16"	—

Range Hood • Integrated Chimney

NEW! NOMENCLATURE

NEW! UPDATE

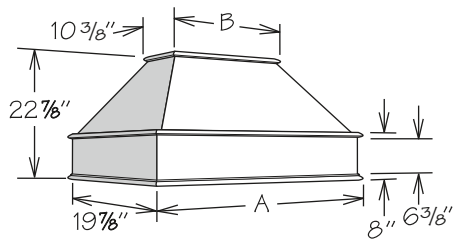


- **UPDATE:** Artisan and Sloped range hoods now include a piece of Contemporary Trim Molding (CLTM8) to field trim and install at the top of hood
- All door styles are finished to match cabinet box exterior - glazed finishes will be glazed
- Wall mounted installation only
- Silver metallic liner included - liner specific to range hood and blower ordered
 - » If no blower is ordered, RHLINER_S will be included
- Order range hood blower separately
- Field trimmable in height to 24"
- RH_SB and RH_MB include field installed corner molding and removable top molding
- Features a french cleat install system which requires 1" gap between hood and ceiling - use included molding to cover the gap
- Not recommended for use with Recirculating Blowers (RHVENT 260R & RHVENT 400R)

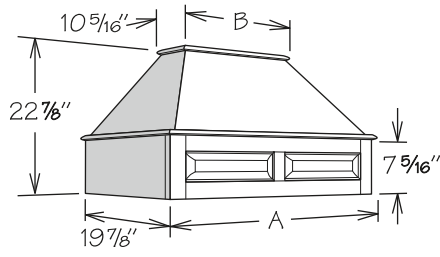
	A	B*	C**
Shiplap Box			
RH3642 SB	36"	37½"	19¾"
RH4242 SB	42"	43½"	19¾"
RH4842 SB	48"	49½"	19¾"
Modern Box			
RH3642 MB	36"	37½"	19¾"
RH4242 MB	42"	43½"	19¾"
RH4842 MB	48"	49½"	19¾"
Sloped			
RH3642 SLWM	37 9/16"	36"	10 7/8"
RH4242 SLWM	43 9/16"	42"	10 7/8"
Artisan			
RH3646 AWM	38 5/16"	18 ½"	10 ¼"
RH4246 AWM	44 5/16"	24 ½"	10 ¼"

*Includes 3/4" thick molding installed on both sides of hood - subtract 1 1/2" for dimension without molding
 **Includes 3/4" thick molding installed on front of hood - subtract 3/4" for dimension without molding

Range Hood



STRAIGHT VALANCE __SV

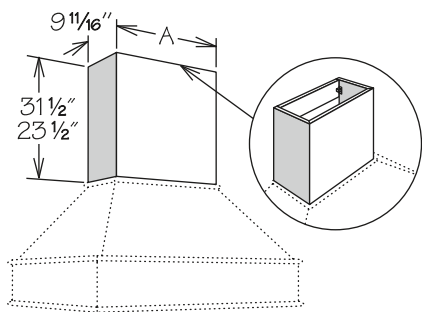


RAISED PANEL __RP

- All door styles are finished to match cabinet box exterior - glazed finishes will be glazed
- Wall mounted installation only
- Order range hood blower separately
- Silver metallic liner included - liner is specific to range hood and blower ordered
 - » If no blower is ordered RHLINER_S will be included
- May be accessorized with Range Hood Chimney - order separately

	A	B
Straight Valance		
RH3624 SV	37 ³ / ₄ "	18 ³ / ₄ "
RH4224 SV	43 ³ / ₄ "	24 ³ / ₄ "
RH4824 SV	49 ³ / ₄ "	30 ³ / ₄ "
Raised Panel		
RH3624 RP	37 ³ / ₄ "	18 ⁹ / ₁₆ "
RH4224 RP	43 ³ / ₄ "	24 ⁹ / ₁₆ "
RH4824 RP	49 ³ / ₄ "	30 ⁹ / ₁₆ "

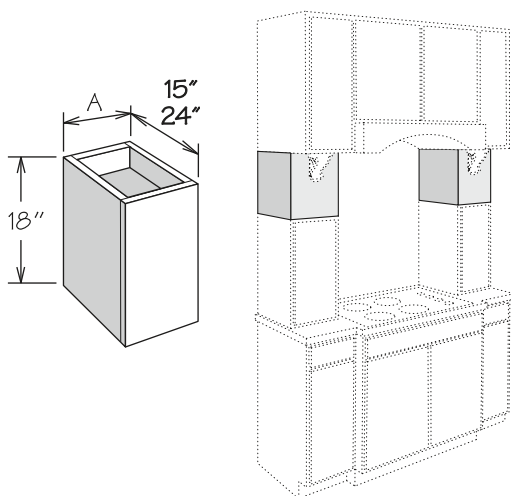
Range Hood Chimney



- Field trimmable in height
- All door styles feature 3/4" solid wood finished to match cabinet box exterior
- Features two chimney mounting blocks with metal fasteners
- For use with Straight Valance or Raised Panel Range Hoods

23 1/2" HIGH	31 1/2" HIGH	A
RHC3623	RHC3631	17 ³ / ₈ "
RHC4223	RHC4231	23 ³ / ₈ "
RHC4823	RHC4831	29 ³ / ₈ "

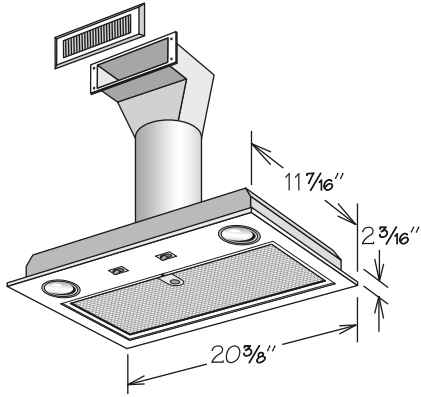
Plain Box Filler



- Veneered engineered wood
- Features 1/4" reveal
- Trimmable in height to 14 1/8" tall
- Reversible for left or right installation

24" DEEP	15" DEEP	A
WPB91824	WPB91815	9"
WPB121824	WPB121815	12"

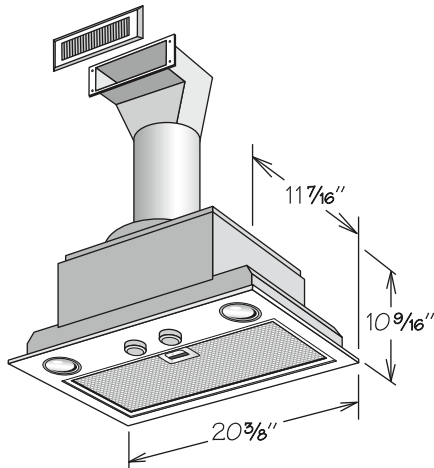
Range Hood Blower • 260 CFM Recirculating



- Designed for recirculating installation where exhaust is vented back into kitchen
- Recommended for use in spaces with soffit or bulkheads
- Not recommended for use with Integrated Chimney Range Hoods
- Includes duct work, metal grille and clips – field assembly required
- Stainless steel finish
- 2-Speed fan provides 260 CFM on high
- Sound level of 7.0 sones on high
- Features quick-release dishwasher safe aluminum mesh filter
- Includes two 2.8W bright LED lights
- Metal grille measures 11 1/4" x 5 5/16"
- 10" x 3" cutout required for metal grille
- Installation and care instructions included
- Liner not included

RHVENT 260R

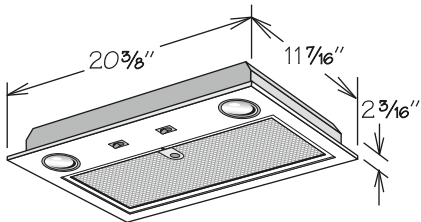
Range Hood Blower • 400 CFM Recirculating



- Designed for recirculating installation where exhaust is vented back into kitchen
- Recommended for use in spaces with soffit or bulkheads
- Not recommended for use with Integrated Chimney Range Hoods
- Includes duct work, metal grille and clips – field assembly required
- Stainless steel finish
- Energy Star rated
- Features 3-speed rotary switch
- Fan provides 400 CFM on high
- Sound level of 6.0 sones on high
- Features quick-release dishwasher safe aluminum mesh filter
- Includes two 2.8W bright LED lights
- Unit has master on-off switch and heat sentry will automatically turn unit on when excessive heat is detected
- Metal grille measures 11 1/4" x 5 5/16"
- 10" x 3" cutout required for metal grille
- Installation and care instructions included
- Liner not included

RHVENT 400R

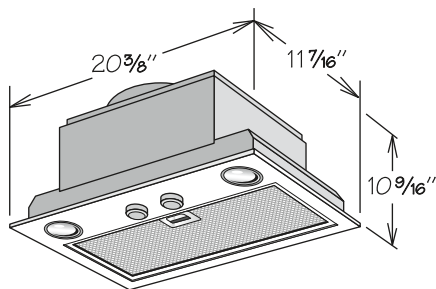
Range Hood Blower • 260 CFM Vented



- Designed for vented installation where exhaust is vented to exterior of home
- Stainless steel finish
- Requires 7" round duct for venting to exterior (not included)
- 2-Speed fan provides 260 CFM on high
- Sound level of 7.0 sones on high
- Features quick-release dishwasher safe aluminum mesh filter
- Includes two 2.8W bright LED lights
- Installation and care instructions included
- Liner not included

RHVENT 260

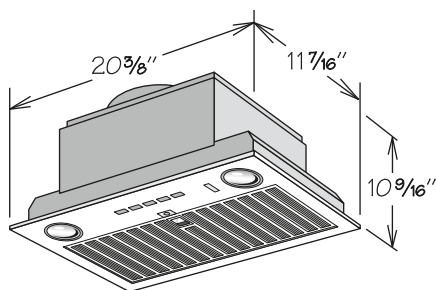
Range Hood Blower • 400 CFM Vented



- Designed for vented installation where exhaust is vented to exterior of home
- Stainless steel finish
- Energy Star rated
- Features 3-speed rotary switch
- Requires vertical 6" round or rectangular 3/4" x 10" duct for venting (not included)
- Fan provides 400 CFM on high using the rectangular duct and 390 CFM using the round duct
- Sound level of 6.0 sones on high
- Features quick-release dishwasher safe aluminum mesh filter
- Includes two 2.8W bright LED lights
- Unit has master on-off switch and heat sentry will automatically turn unit on when excessive heat is detected
- Installation and care instructions included
- Liner not included

RHVENT 400

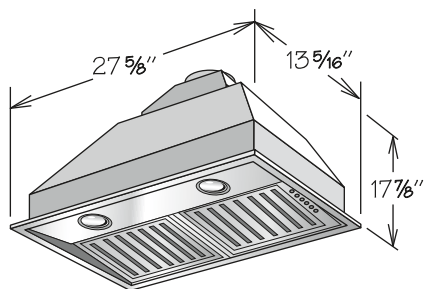
Range Hood Blower • 600 CFM Vented



- Designed for vented installation where exhaust is vented to exterior of home
- Stainless steel finish
- Features 4-speed back-lit Electronic Soft Touch controls
- Fan provides 600 CFM using the round duct and 580 CFM on high using the rectangular duct
- Sound level of 9.5 sones on high
- Features quick-release dishwasher safe baffle-style filter with clean filter reminder
- Includes two 3W bright LED lights with 3 lighting levels
- Unit has master on-off switch and heat sentry will automatically turn unit on when excessive heat is detected
- Auto-Sensing option sets CFM to correct level automatically
- Wifi enabled option allows for voice control
- Requires 8" round, 6" round, or 3/4" x 10" venting to exterior (not included)
- Installation and care instructions included
- Liner not included

RHVENT 600

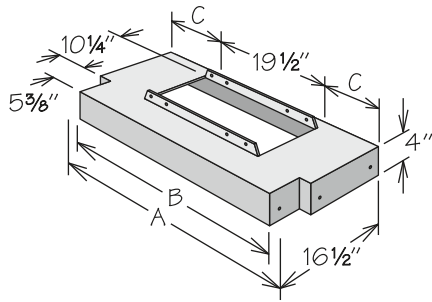
Range Hood Blower • 960 CFM Vented



- Designed for vented installation where exhaust is vented to exterior of home
- Durable stainless steel with brushed finish
- Features a 4-speed push-button control to offer greater CFM flexibility; 960 CFM, 660 CFM, 480 CFM and 300 CFM
- Centrifugal blower provides 960 CFM air delivery and sound level of 5.1 sones on high
- Includes two 4-watt 12v MR16 LED bulbs - daylight
- Features quick-release dishwasher safe baffle-style filter
- 10 minute delay off timer
- Requires 7" round duct for venting to exterior (not included)
- Installation and care instructions included
- Not designed for use with the following:
 - » Straight Valance Wall Range Hoods
 - » Raised Panel Wall Range Hoods
 - » Classic Tapered Wall Range Hoods
 - » Decorative Mantle Wall Range Hoods
- Liner not included

RHVENT 960

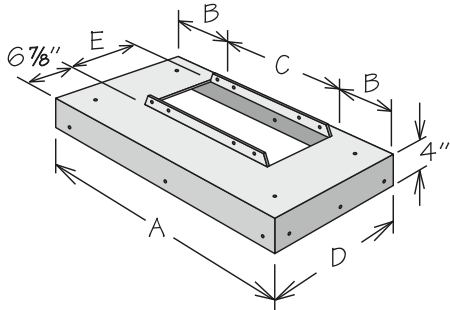
Tapered Hood Liner



- Liner is silver metallic powder coated metal
- For use with the following Wall Range Hoods:
 - » Straight Valance (WRH_SV)
 - » Raised Panel (WRH_RP)
 - » Classic Tapered (WRH_CT)
 - » Decorative Mantle (WRH_DM)
- One liner included with range hood

	A	B	C
RHLINER 30	29 ¹⁵ / ₁₆ "	26 ³ / ₁₆ "	5 ⁷ / ₃₂ "
RHLINER 36	35 ¹⁵ / ₁₆ "	32 ³ / ₁₆ "	8 ⁷ / ₃₂ "
RHLINER 42	41 ¹⁵ / ₁₆ "	38 ¹ / ₁₆ "	11 ⁷ / ₃₂ "

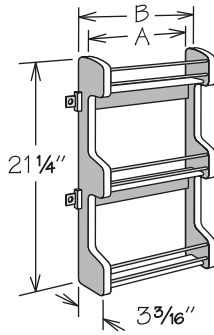
Straight Valance Hood Liner



- Liner finish is silver metallic powder-coated material
- For use with the following Range Hoods:
 - » Straight Valance (RH_SV)
 - » Raised Panel (RH_RP)
 - » Modern Box (RH_MB)
 - » Shiplap Box (RH_SB)
 - » Sloped (RH_SLWM)
 - » Artisan (RH_AWM)
- RHLINER_S SL1 must be used with RHVENT 960 blower
- RHLINER_S for use with all blowers except RHVENT 960
- One liner included with range hood (liner is specific to range hood and blower ordered)

	A	B	C	D	E
RHLINER 36S	34 ¹¹ / ₃₂ "	7 ⁷ / ₁₆ "	19 ¹ / ₂ "	18 ¹ / ₄ "	10 ¹ / ₄ "
RHLINER 42S	40 ¹¹ / ₃₂ "	10 ⁷ / ₁₆ "	19 ¹ / ₂ "	18 ¹ / ₄ "	10 ¹ / ₄ "
RHLINER 48S	46 ¹¹ / ₃₂ "	13 ⁷ / ₁₆ "	19 ¹ / ₂ "	18 ¹ / ₄ "	10 ¹ / ₄ "
RHLINER 36S SL1	34 ¹¹ / ₃₂ "	3 ³ / ₄ "	26 ¹³ / ₁₆ "	18 ³ / ₁₆ "	12 ⁷ / ₁₆ "
RHLINER 42S SL1	40 ¹¹ / ₃₂ "	6 ³ / ₄ "	26 ¹³ / ₁₆ "	18 ³ / ₁₆ "	12 ⁷ / ₁₆ "
RHLINER 48S SL1	46 ¹¹ / ₃₂ "	9 ³ / ₄ "	26 ¹³ / ₁₆ "	18 ³ / ₁₆ "	12 ⁷ / ₁₆ "

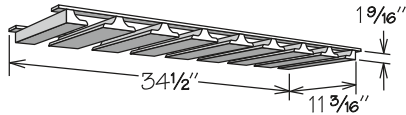
Spice Rack Kit



- Field installation accessory
- For wall cabinets 30" or higher
- Position cabinet adjustable shelves prior to installation
- Natural finish solid wood with chrome rails
- Three fixed shelves
- SRK15 mounts to 15" wide door
- SRK18 mounts to 18" wide door
- SRK21 mounts to 21" wide door

	A	B
SRK15	9 1/2"	10 1/2"
SRK18	12 1/2"	13 1/2"
SRK21	15 1/2"	16 1/2"

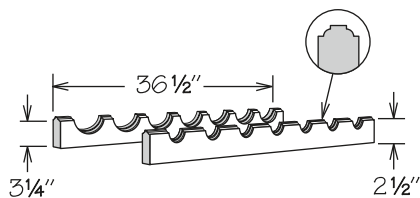
Stem Glass Holder



- Field trimmable to install below 18", 24", 30", or 36" wide wall cabinet
- All door styles feature solid wood finished to match cabinet box exterior
- Maximum stem glass base is 3/2" in diameter
- Not sized to fit modified depth cabinets

SGH36U

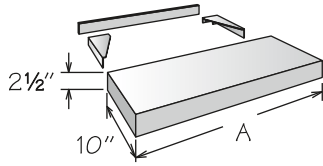
Wine Rack



- Accommodates seven bottles
- Field trimmable to 24" (five bottles) or 30" (six bottles)
- All door styles feature solid wood finished to match cabinet box exterior

WR36

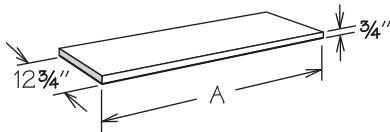
Floating Shelf



- Not trimmable
- Finished on all sides to match cabinet box exterior
- Features veneered engineered wood top and bottom and solid wood front and sides
- When installed between two cabinets, Furniture Ends (FE) or Wall End Panel (WEP) is recommended for adjacent cabinets
- Must be secured to studs in wall
- Installation instructions, mounting brackets and screws included

10" DEEP	A	MAX. LOAD
FLSH2410	24"	30 lbs.
FLSH3010	30"	37 lbs.
FLSH3610	36"	45 lbs.
FLSH4210	42"	52 lbs.
FLSH4810	48"	60 lbs.

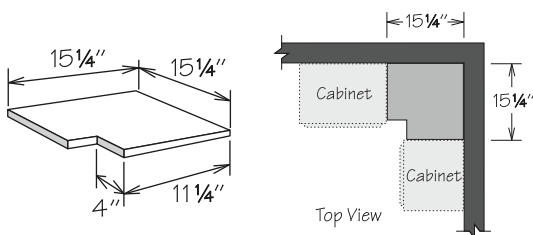
Finished Shelf



- Standard finished shelves feature veneered engineered wood, edge banded on all sides with top and bottom finished to match cabinet box exterior
- Textured finished shelves feature engineered wood, edge banded on all sides with top and bottom textured-wrapped to match cabinet door - available for Breeze and Drift finishes only
- Field trimmable

STANDARD	TEXTURED	A
FS4812	FS4812 DT	48 1/4"
FS6012	FS6012 DT	60 1/4"
FS7212	FS7212 DT	72 1/4"

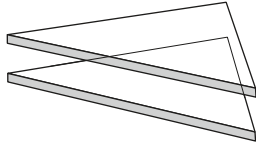
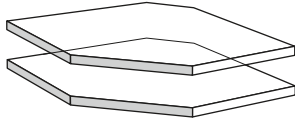
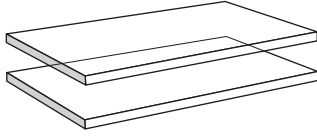
Blind Corner Closure



- Features 1/2" engineered wood finished with natural woodgrain finish on both sides
- Field trimmable

BLC1515

Glass Shelf Kit



- Glass Shelf Kit includes two ¼" high-strength tempered glass shelves
- Can be used with existing shelf rests or order SHELF REST MFD PK separately
- Refer to individual SKU box for number of shelves required and/or available
- GSK12 - GSK36 is 10¼" deep
- GSK12-15 - GSK36-15 is 13¼" deep
- Tempered glass cannot be field trimmed
- Glass Shelf Kits 12" - 24" wide have a 15 lb. per square foot load rating
- Glass Shelf Kits 27" - 36" wide have a 5 lb. per square foot load rating

12" DEEP

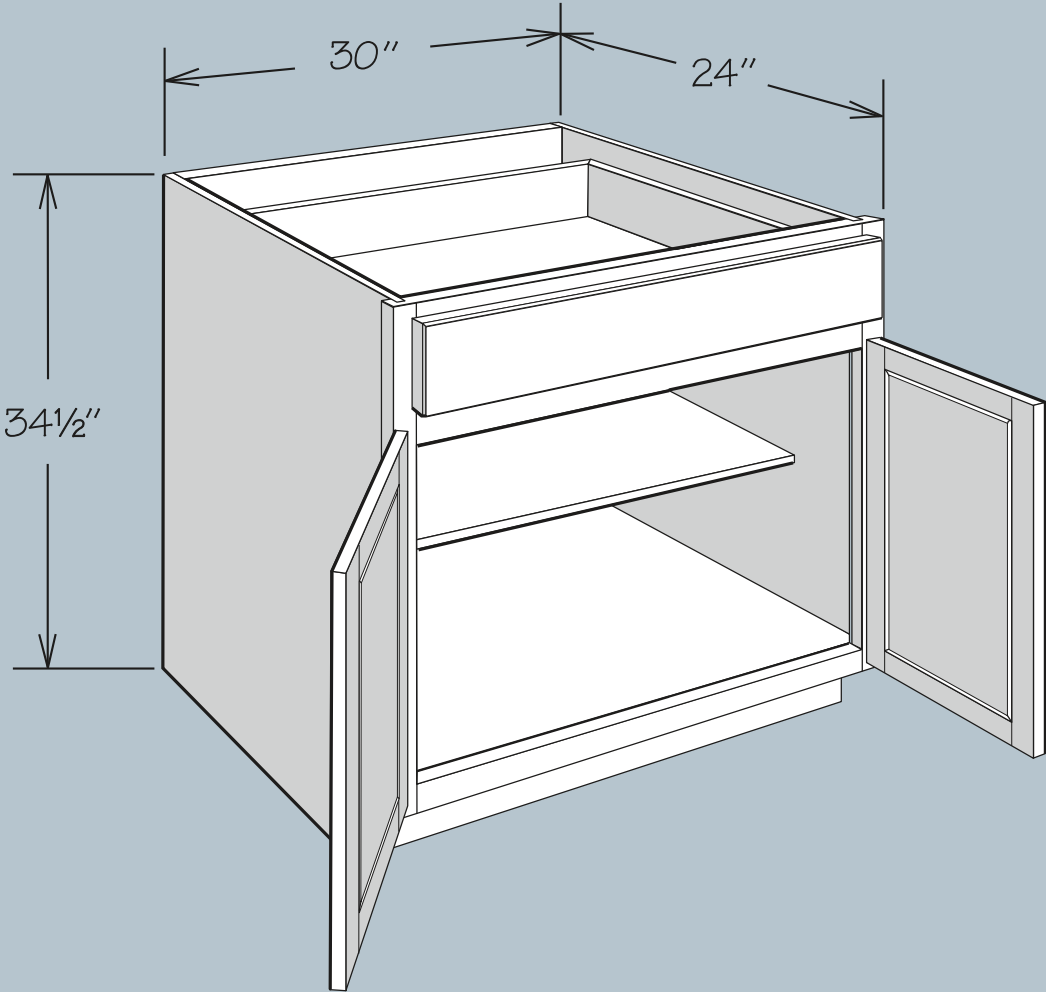
GSK12
GSK15
GSK18
GSK21
GSK24
GSK27
GSK30
GSK33
GSK36
GSKCW24
GSKWEA12

15" DEEP

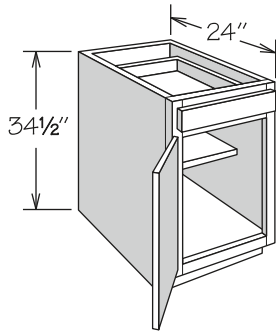
GSK12-15
GSK15-15
GSK18-15
GSK21-15
GSK24-15
GSK27-15
GSK30-15
GSK33-15
GSK36-15
GSKCW27

Notes

BASE CABINETS



Base Cabinet • 1 Door and 1 Drawer



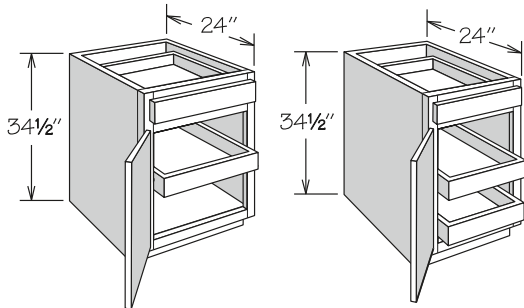
- Half-depth adjustable shelf
- Hinged left and can be reversed in the field

1 SHELF

B12
B15
B18
B21
B24

AH
APC
CCH
CCDW
CFO
FE
FDS
IF
PE
RD
RTK
VTK

Base Cabinet • 1 Door, 1 Drawer and Sliding Shelves



1 SLIDING SHELF

2 SLIDING SHELVES

- Sliding shelves are not adjustable
- Engineered wood sliding shelves with solid hardwood front, MDF bottom, and side-mounted drawer glides
- Hinged left and can be reversed in the field

1 SLIDING SHELF

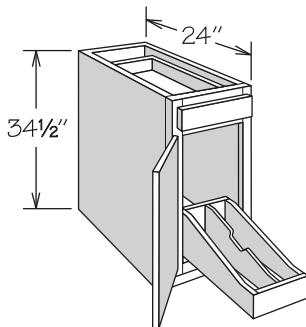
B12 SS1
B15 SS1
B18 SS1
B21 SS1
B24 SS1

2 SLIDING SHELVES

B12 SS2
B15 SS2
B18 SS2
B21 SS2
B24 SS2

AH
APC
CCH
CCDW
CCSS
FE
PE
RD
RTK
VTD
VTK

Base Cabinet • 1 Door, 1 Drawer and Roll-Out Tray Divider



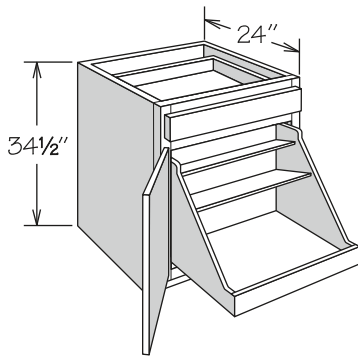
- Roll-Out Tray Divider in natural finish solid wood and wood veneer with dovetail (front only) construction and full-extension CushionClose glides
- B12 CCROTD features two compartments (one partition)
- B15 CCROTD features three compartments (two partitions)
- Partitions are field installed
- No shelf
- Hinged left and can be reversed in the field - upgraded drawer option applies to top drawer only

ROLL-OUT TRAY DIVIDER

B12 CCROTD
B15 CCROTD

AH
APC
CCH
CCDW
FE
PE
RTK
VTK

Base Cabinet • 1 Door, 1 Drawer and Pot & Pan Organizer



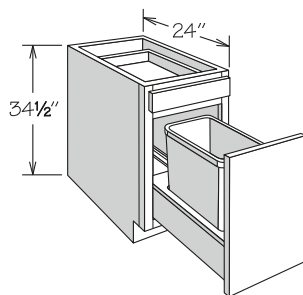
- Organizer in natural finish solid wood and wood veneer with dovetail (front only) construction and full-extension CushionClose glides
- Top shelf of organizer measures 6³/₁₆" deep
- Middle shelf of organizer measures 9³/₄" deep
- Hinged left and can be reversed in the field
- upgraded drawer option applies to top drawer only

AH
APC
CCH
CCDW
FE
IF
PE
RTK
VTD
VTK

BASE POT & PAN ORGANIZER

B24 CCBPPO

Base Cabinet • 1 Drawer and Door with Wastebasket Pull-Out



1 WASTEBASKET

- Wastebasket pull-out features heavy-duty full-extension glides (100 pound rated)
- Wastebasket rests in a natural finish wood frame
- BWBB15 features one silver plastic 35-quart capacity bin
- BWBB15-2 features two silver plastic 27-quart capacity bins
- BWBB18-2 and BWBB21-2 feature two silver plastic 35-quart capacity bins
- Decorative hardware strongly recommended

AH
APC
CCDW
FE
IF
PE
RTK
VTK

1 WASTEBASKET

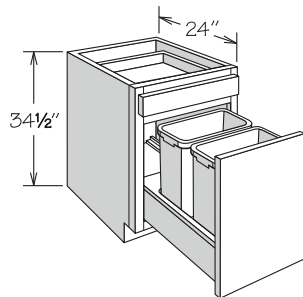
BWBB15

2 WASTEBASKETS

BWBB15-2

BWBB18-2

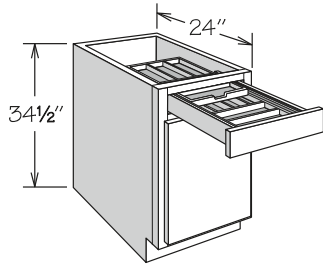
BWBB21-2



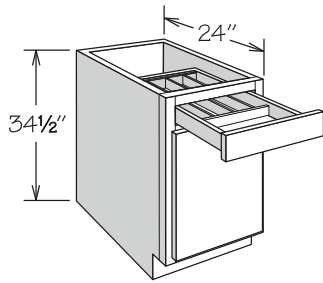
2 WASTEBASKETS

Base Cabinet • Drawer Accessories • 1 Door

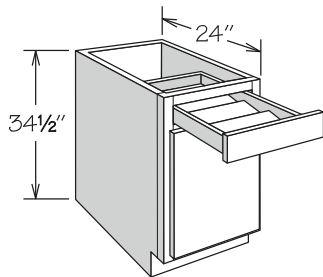
APC
CCH
CCDW
CCSS ■
FDS ◆
FE
PE
RTK
VTK



18" Wood Tiered Cutlery Divider Shown



18" Cutlery Divider Shown



18" Spice Drawer Insert Shown

- Features solid hardwood dovetail drawer with full-access glides
- Features solid hardwood and plywood in natural finish
- Spice Drawer Insert features solid hardwood and plywood in natural finish and accommodates most spice containers (not included)
- Wood Tiered Cutlery Divider features:
 - » Solid hardwood and plywood in natural finish
 - » Upper section slides independently from drawer
- Refer to specifications on individual cabinets and accessories for more details

WOOD TIERED CUTLERY DIVIDER	UPPER SECTION	LOWER SECTION
15"	5	5
18"	5	6
21"	6	7
24"	7	7

CUTLERY DIVIDER	SECTIONS
15"	4
18"	5
21"	6
24"	6

1 SHELF

Wood Tiered Cutlery Divider

- B15 WTCD ◆
- B18 WTCD ◆
- B21 WTCD ◆
- B24 WTCD ◆

Cutlery Divider

- B15 CD ◆
- B18 CD ◆
- B21 CD ◆
- B24 CD ◆

Spice Drawer Insert

- B15 SDI ◆
- B18 SDI ◆
- B21 SDI ◆
- B24 SDI ◆

1 SLIDING SHELF

Wood Tiered Cutlery Divider

- B15 SS1 WTCD ■
- B18 SS1 WTCD ■
- B21 SS1 WTCD ■
- B24 SS1 WTCD ■

Cutlery Divider

- B15 SS1 CD ■
- B18 SS1 CD ■
- B21 SS1 CD ■
- B24 SS1 CD ■

Spice Drawer Insert

- B15 SS1 SDI ■
- B18 SS1 SDI ■
- B21 SS1 SDI ■
- B24 SS1 SDI ■

2 SLIDING SHELVES

Wood Tiered Cutlery Divider

- B15 SS2 WTCD ■
- B18 SS2 WTCD ■
- B21 SS2 WTCD ■
- B24 SS2 WTCD ■

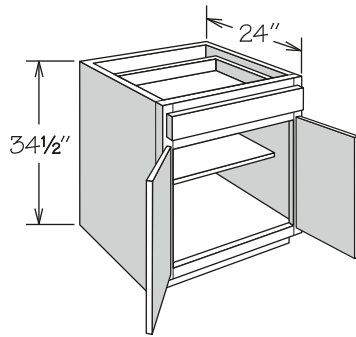
Cutlery Divider

- B15 SS2 CD ■
- B18 SS2 CD ■
- B21 SS2 CD ■
- B24 SS2 CD ■

Spice Drawer Insert

- B15 SS2 SDI ■
- B18 SS2 SDI ■
- B21 SS2 SDI ■
- B24 SS2 SDI ■

Base Cabinet • 2 Butt Doors and 1 Drawer



- Half-depth adjustable shelf

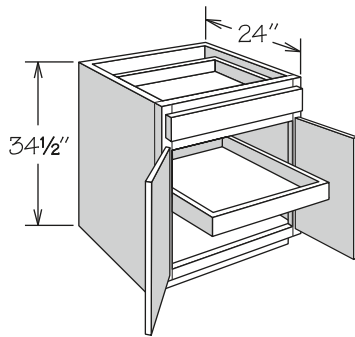
AH
APC
CCH
CCDW
CFO
FE
FDS
IF
PE
RD
RTK
VTK

1 SHELF

B24 BUTT
B27 BUTT
B30 BUTT

B33 BUTT
B36 1TD BUTT

Base Cabinet • 2 Butt Doors, 1 Drawer and Sliding Shelves



1 SLIDING SHELF

- Sliding shelves are not adjustable
- Engineered wood sliding shelves with solid hardwood front, MDF bottom, and side-mounted drawer glides

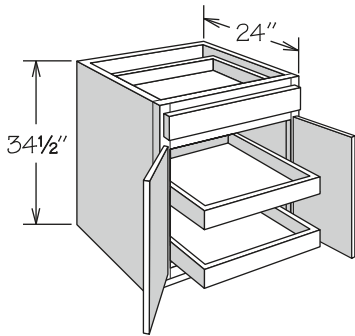
AH
APC
CCH
CCDW
CCSS
FE
PE
RD
RTK
VTD
VTK

1 SLIDING SHELF

B24 SS1 BUTT
B27 SS1 BUTT
B30 SS1 BUTT
B33 SS1 BUTT
B36 SS1 1TD BUTT

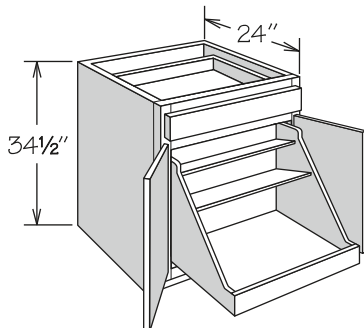
2 SLIDING SHELVES

B24 SS2 BUTT
B27 SS2 BUTT
B30 SS2 BUTT
B33 SS2 BUTT
B36 SS2 1TD BUTT



2 SLIDING SHELVES

Base Cabinet • 2 Butt Doors, 1 Drawer and Pot & Pan Organizer



- Organizer in natural finish solid wood and wood veneer with dovetail (front only) construction full-extension CushionClose glides
- Top shelf of organizer measures 6³/₈" deep
- Middle shelf of organizer measures 9³/₄" deep - upgraded drawer option applies to top drawer only

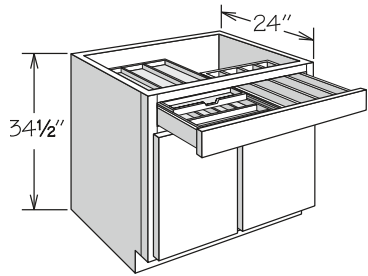
AH
APC
CCH
CCDW
FE
IF
PE
RTK
VTD
VTK

BASE POT & PAN ORGANIZER

B24 BUTT CCBPPO
B27 BUTT CCBPPO
B30 BUTT CCBPPO
B33 BUTT CCBPPO
B36 1TD BUTT CCBPPO

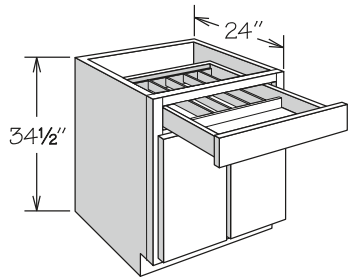
Base Cabinet • Drawer Accessories • 2 Butt Doors

APC
CCH
CCDW
CCSS ■
FDS ◆
FE
PE
RTK
VTK



30" Wood Tiered Cutlery Divider Shown

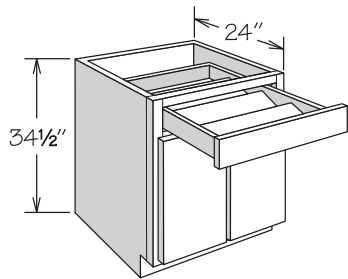
- Features solid hardwood dovetail drawer with full-access glides
- Cutlery Divider features solid hardwood and plywood in natural finish
- Spice Drawer Insert features solid hardwood and plywood in natural finish and accommodates most spice containers (not included)
- Wood Tiered Cutlery Divider features:
 - » Solid hardwood and plywood in natural finish
 - » Upper section slides independently from drawer
 - » Additional cooking Utensil Section on 30" or wider
- Refer to specifications on individual cabinets and accessories for more details



24" Cutlery Divider Shown

WOOD TIERED CUTLERY DIVIDER	UPPER SECTIONS	LOWER SECTIONS	COOKING UTENSIL SECTIONS
24"	7	7	-
30"	5	5	4
36"	5	5	5

CUTLERY DIVIDER	SECTIONS
24"	6
30"	7
36"	8



24" Spice Drawer Insert Shown

1 SHELF

Wood Tiered Cutlery Divider

- B24 BUTT WTCD ◆
- B30 BUTT WTCD ◆
- B36 1TD BUTT WTCD ◆

Cutlery Divider

- B24 BUTT CD ◆
- B30 BUTT CD ◆
- B36 1TD BUTT CD ◆

Spice Drawer Insert

- B24 BUTT SDI ◆

1 SLIDING SHELF

Wood Tiered Cutlery Divider

- B24 SS1 BUTT WTCD ■
- B30 SS1 BUTT WTCD ■
- B36 1TD SS1 BUTT WTCD ■

Cutlery Divider

- B24 SS1 BUTT CD ■
- B30 SS1 BUTT CD ■
- B36 1TD SS1 BUTT CD ■

Spice Drawer Insert

- B24 SS1 BUTT SDI ■

2 SLIDING SHELVES

Wood Tiered Cutlery Divider

- B24 SS2 BUTT WTCD ■
- B30 SS2 BUTT WTCD ■
- B36 1TD SS2 BUTT WTCD ■

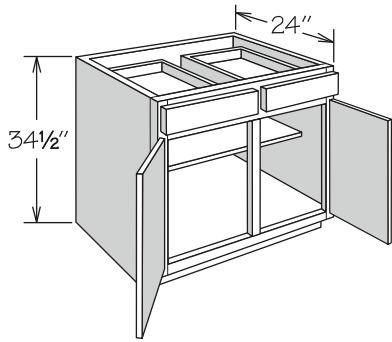
Cutlery Divider

- B24 SS2 BUTT CD ■
- B30 SS2 BUTT CD ■
- B36 1TD SS2 BUTT CD ■

Spice Drawer Insert

- B24 SS2 BUTT SDI ■

Base Cabinet • 2 Doors and 2 Drawers



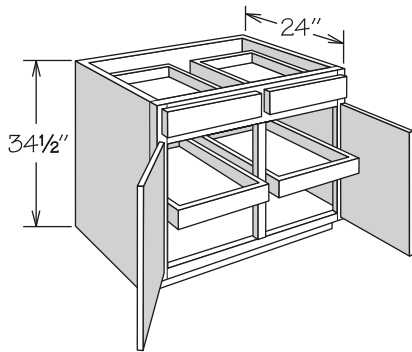
- Half-depth adjustable shelf
- Center support for shelf provided

AH
APC
CCH
CCDW
CFO
FDS
FE
IF
PE
RD
RTK
VTK

1 SHELF

B39
B42
B48

Base Cabinet • 2 Doors, 2 Drawers and Sliding Shelves



2 SLIDING SHELVES

- Sliding shelves are not adjustable
- Engineered wood sliding shelves with solid hardwood front, MDF bottom, and side-mounted drawer glides

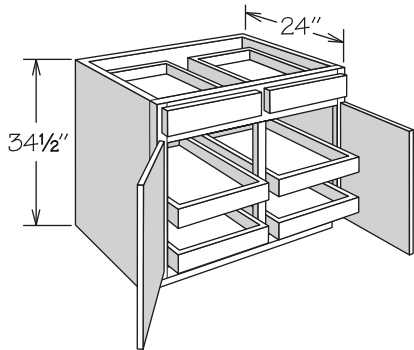
AH
APC
CCH
CCDW
CCSS
FE
PE
RD
RTK
VTD
VTK

2 SLIDING SHELVES

B39 SS1
B42 SS1
B48 SS1

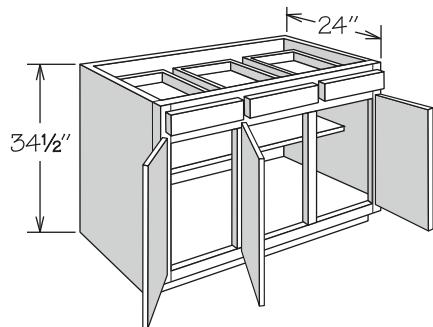
4 SLIDING SHELVES

B39 SS2
B42 SS2
B48 SS2



4 SLIDING SHELVES

Base Cabinet • 3 Doors and 3 Drawers



- Half-depth adjustable shelf
- Center support for shelf provided
- Hinged as shown - can be reversed in the field

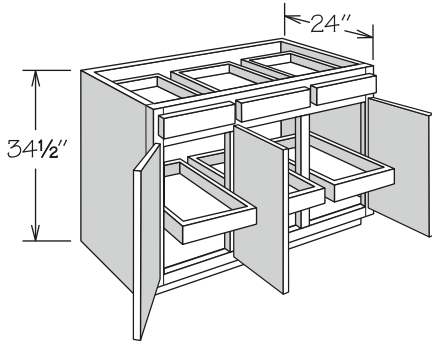
AH
APC
CCH
CCDW
CFO
FDS
FE
IF
PE
RD
RTK
VTK

1 SHELF

B45

Base Cabinet • 3 Doors, 3 Drawers and Sliding Shelves

AH
APC
CCH
CCDW
CCSS
FE
PE
RD
RTK
VTD
VTK

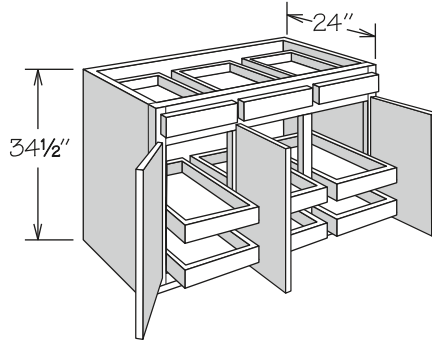


3 SLIDING SHELVES

- Sliding shelves are not adjustable
- Engineered wood sliding shelves with solid hardwood front, MDF bottom, and side-mounted drawer glides
- Hinged as shown - can be reversed in the field

3 SLIDING SHELVES
B45 SS1

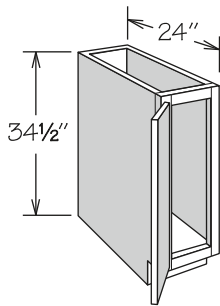
6 SLIDING SHELVES
B45 SS2



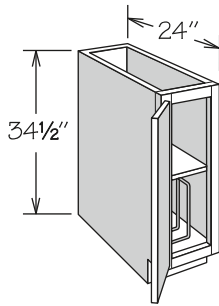
6 SLIDING SHELVES

Full-Height Base Cabinet • 1 Door

AH
APC
CCH
CFO ■
FE
PE
RD
RTK
VTK



NO SHELF



1 SHELF & TRAY DIVIDER

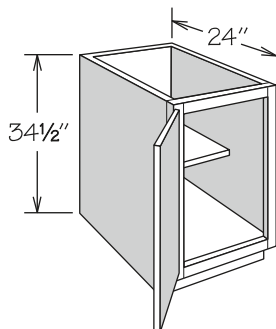
- Full-height door
- Recessed Toe Kick Option available left (RTKL) or right (RTKR) only
- TB9 TDS is only available with RD-23 though RD-14
- TB9 TDS features full-depth adjustable shelf (S924) and Tray Divider (TD3) packaged separately for field installation
- Hinged left and can be reversed in the field

NO SHELF
TB9 ■

1 SHELF & TRAY DIVIDER
TB9 TDS

Full-Height Base Cabinet • 1 Door

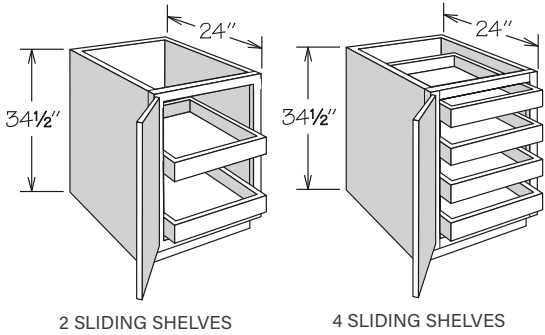
AH
APC
CCH
CFO
FDS
FE
PE
RD
RTK
VTK



- Half-depth adjustable shelf
- Full-height door
- Hinged left and can be reversed in the field

1 SHELF
B12 FH
B15 FH
B18 FH
B21 FH
B24 FH

Full-Height Base Cabinet • 1 Door and Sliding Shelves



- Full-height door
- Sliding shelves are not adjustable
- Engineered wood sliding shelves with solid hardwood front, MDF bottom, and side-mounted drawer glides
- Distance between two sliding shelves is 10 13/16"
- Distance between four sliding shelves is 4 7/16"
- Hinged left and can be reversed in the field

AH
APC
CCH
CCSS
FE
PE
RD
RTK
VTK

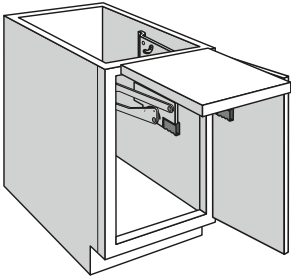
2 SLIDING SHELVES

- B12 FH SS2
- B15 FH SS2
- B18 FH SS2
- B21 FH SS2
- B24 FH SS2

4 SLIDING SHELVES

- B12 FH SS4
- B15 FH SS4
- B18 FH SS4
- B21 FH SS4
- B24 FH SS4

Full-Height Base Cabinet • 1 Door and Base Mixer Lift



- Full-height door
- Features Furniture Ends standard
- Includes 1 3/8" thick natural finish solid wood shelf and one pair of shock dampening, adjustable tension lifts
 - » Shelf measures 13 3/16" wide x 18" deep
- Supports up to 60 pounds
- Cannot be used with Sliding Shelf or adjustable shelf
- Kit packaged separately for field installation

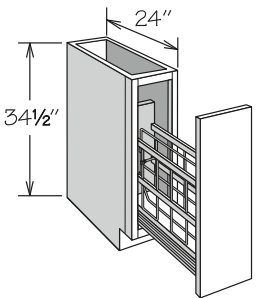
AH
APC
CCH
RTK
VTK

BASE MIXER LIFT

- B18 FH MLK

Full-Height Base Cabinet • 1 Door with Tray Divider Pull-Out

NEW! **SIZE**



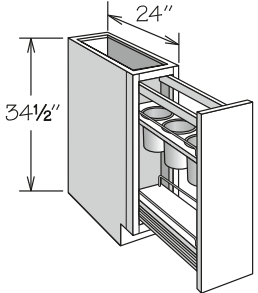
- Tray Divider Pull-Out features CushionClose glides
- Full-height door
- Tray divider is adjustable to accommodate various storage solutions
- Decorative hardware strongly recommended
- BTDP9 CC not available with Recessed Toe Kick Both Option (RTKB)

AH
APC
FE
PE
RTK
VTK

TRAY DIVIDER PULL-OUT

- BTDP9 CC
- BTDP12 CC

Full-Height Base Cabinet • 1 Door with Utensil Storage Pull-Out



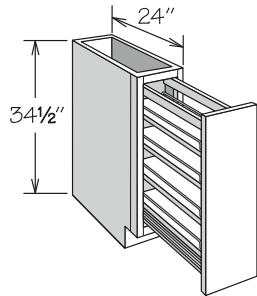
- Utensil Storage Pull-Out features CushionClose glides
- Full-height door
- One fixed bottom and one adjustable lower shelf in a natural finish with chrome rails
- One fixed upper shelf in a natural finish with chrome rails and three stainless steel removable storage bins
- Stainless steel bins measure 5 1/4" wide x 6 7/8" deep
- Decorative hardware strongly recommended
- BPPUS9 CC not available with Recessed Toe Kick Both Option (RTKB)

AH
APC
FE
PE
RTK
VTK

UTENSIL STORAGE PULL-OUT

- BPPUS9 CC
- BPPUS12 CC

Full-Height Base Cabinet • 1 Door with Base Pantry Pull-Out



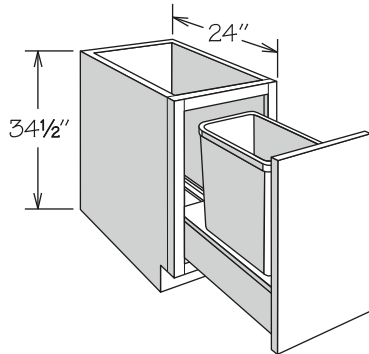
- Base Pantry Pull-Out features CushionClose glides
- Full-height door
- One fixed and three adjustable shelves with chrome rails
- Decorative hardware strongly recommended
- BPP9 CC not available with Recessed Toe Kick Both Option (RTKB)

AH
APC
FE
PE
RTK
VTK

BASE PANTRY PULL-OUT

BPP9 CC
BPP12 CC

Full-Height Base Cabinet • 1 Door with Wastebasket Pull-Out



1 WASTEBASKET

- Wastebasket pull-out features heavy-duty full-extension glides (100 pound rated)
- Full-height door
- Wastebasket rests in a natural finish wood frame
- BWBB15 FH and BWBB18 FH features one silver plastic 50-quart capacity bin
- BWBB21-2 FH features two silver plastic 50-quart capacity bins
- Decorative hardware strongly recommended

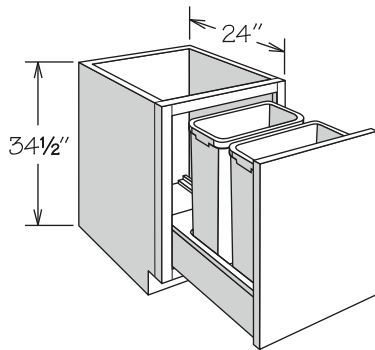
AH
APC
CCDW
FE
PE
RTK
VTK

1 WASTEBASKET

BWBB15 FH
BWBB18 FH

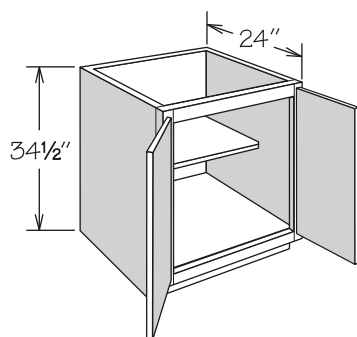
2 WASTEBASKETS

BWBB21-2 FH



2 WASTEBASKETS

Full-Height Base Cabinet • 2 Butt Doors



- Half-depth adjustable shelf
- Full-height butt doors

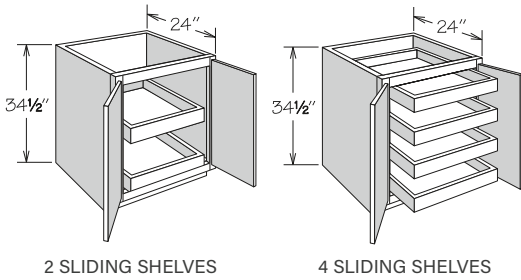
AH
APC
CCH
CFO
FDS
FE
PE
RD
RTK
VTK

1 SHELF

B24 BUTT FH
B27 BUTT FH
B30 BUTT FH
B33 BUTT FH
B36 BUTT FH

Full-Height Base Cabinet • 2 Butt Doors and Sliding Shelves

AH
APC
CCH
CCSS
FE
PE
RD
RTK
VTK



- Full-height butt doors
- Sliding shelves are not adjustable
- Engineered wood sliding shelves with solid hardwood front, MDF bottom, and side-mounted drawer glides
- Distance between two sliding shelves is 10¹³/₁₆"
- Distance between four sliding shelves is 4⁷/₁₆"

2 SLIDING SHELVES

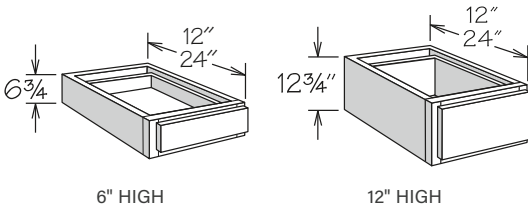
B24 BUTT FH SS2
B27 BUTT FH SS2
B30 BUTT FH SS2
B33 BUTT FH SS2
B36 BUTT FH SS2

4 SLIDING SHELVES

B24 BUTT FH SS4
B27 BUTT FH SS4
B30 BUTT FH SS4
B33 BUTT FH SS4
B36 BUTT FH SS4

Furniture Drawer Cabinet • 1 Drawer

APC
CCDW
CFO
FE
PE
RD ■



- 6" high features one standard drawer and 12" high features one large drawer
- 24" deep Furniture Drawer Cabinets are only available with RD-23 through RD-13
- Bottom of cabinet frame must be fully supported

6" HIGH • 1 DRAWER

12" Deep

FD121206
FD151206
FD181206
FD211206
FD241206
FD271206
FD301206
FD331206
FD361206

24" Deep

FD122406 ■
FD152406 ■
FD182406 ■
FD212406 ■
FD242406 ■
FD272406 ■
FD302406 ■
FD332406 ■
FD362406 ■

12" HIGH • 1 DRAWER

12" Deep

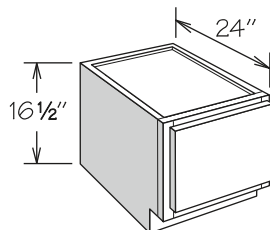
FD121212
FD151212
FD181212
FD211212
FD241212
FD271212
FD301212
FD331212
FD361212

24" Deep

FD122412 ■
FD152412 ■
FD182412 ■
FD212412 ■
FD242412 ■
FD272412 ■
FD302412 ■
FD332412 ■
FD362412 ■

Pedestal Drawer Cabinet • 1 Drawer

APC
CCDW
CFO
FE
PE
RD
RTK
VTK

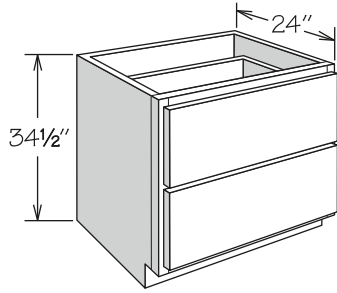


- One large drawer
- Features solid top

1 DRAWER

PD1217 1DWR
PD1517 1DWR
PD1817 1DWR
PD2117 1DWR
PD2417 1DWR
PD2717 1DWR
PD3017 1DWR
PD3317 1DWR
PD3617 1DWR

Drawer Base Cabinet • 2 Large Drawers



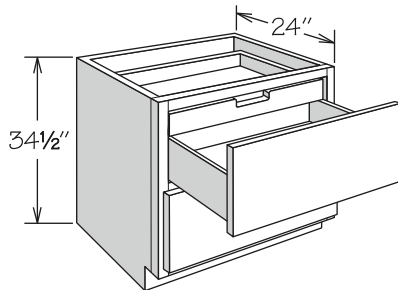
- Two large dovetail drawers with extra large drawer fronts
- Drawer body measures 6¹⁵/₁₆" deep
- Only available with RD-23 through RD-21
- Drawers feature full-extension CushionClose heavy-duty 132 pound rated glides

AH
APC
CFO
FE
PE
RD
RTK
VTK

2 DRAWERS

DB21 2DWR
DB24 2DWR
DB27 2DWR
DB30 2DWR
DB33 2DWR
DB36 2DWR

Drawer Base Cabinet • 2 Large Drawers and Scalloped Sliding Shelf



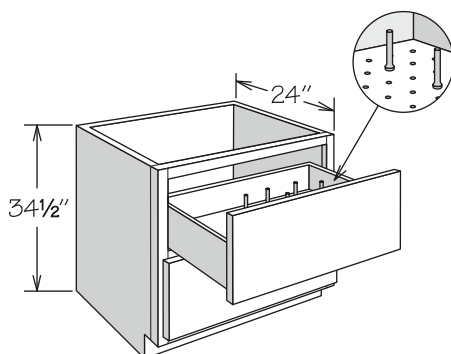
- Two large dovetail drawers with extra large drawer fronts
- Drawer body measures 6¹⁵/₁₆" deep
- Only available with RD-23 through RD-21
- Scalloped dovetail Sliding Shelf with CushionClose Glides in top opening
- Drawers feature full-extension CushionClose heavy-duty 132 pound rated glides

AH
APC
FE
PE
RD
RTK
VTK

2 DRAWERS

DB21 2DWR SFWT
DB24 2DWR SFWT
DB27 2DWR SFWT
DB30 2DWR SFWT
DB33 2DWR SFWT
DB36 2DWR SFWT

Drawer Base Cabinet • 2 Drawers and Peg Dish Organizer



- Two large dovetail drawers with extra large drawer fronts
- Drawer body measures 6¹⁵/₁₆" deep
- One Peg Dish Organizer Kit (organizer and adjustable pegs) in natural finish, packaged separately for field installation
- Additional pegs (PEG KIT 4 PK) and Peg Dish Organizer Kits (PDO_) can be ordered separately
- Drawers feature full-extension CushionClose heavy-duty 132 pound rated glides

AH
APC
FE
PE
RTK
VTK

2 DRAWERS

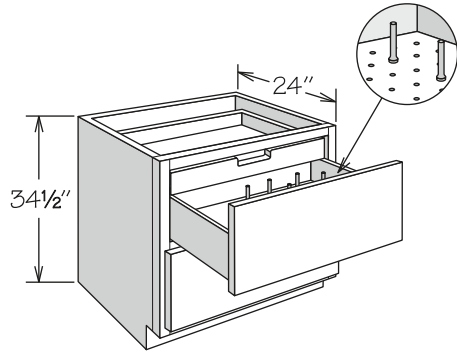
DB21 2DWR PDO
DB24 2DWR PDO
DB27 2DWR PDO
DB30 2DWR PDO
DB33 2DWR PDO
DB36 2DWR PDO

PEG COUNT

8
12
12
12
12
12

Drawer Base Cabinet • 2 Drawers, Scalloped Sliding Shelf and Peg Dish Organizer

AH
APC
FE
PE
RTK
VTK



- Two large dovetail drawers with extra large drawer fronts
- Drawer body measures 6^{15/16}" deep
- Scalloped dovetail Sliding Shelf with CushionClose Glides in top opening
- One Peg Dish Organizer Kit (organizer and adjustable pegs) in natural finish, packaged separately for field installation
- Additional pegs (PEG KIT 4 PK) and Peg Dish Organizer Kits (PDO_) can be ordered separately
- Drawers feature full-extension CushionClose heavy-duty 132 pound rated glides

2 DRAWERS

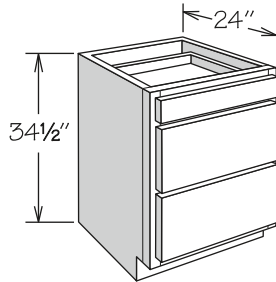
DB21 2DWR SFWT PDO
 DB24 2DWR SFWT PDO
 DB27 2DWR SFWT PDO
 DB30 2DWR SFWT PDO
 DB33 2DWR SFWT PDO
 DB36 2DWR SFWT PDO

PEG COUNT

8
 12
 12
 12
 12
 12

Drawer Base Cabinet • 3 Drawers

AH
APC
CCDW
CFO
FE
PE
RD
RTK
VTD
VTK



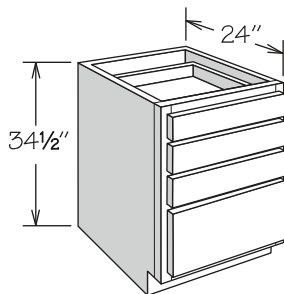
- One standard and two large drawers

3 DRAWERS

DB12
 DB15
 DB18
 DB21
 DB24
 DB27
 DB30
 DB33
 DB36 1TD

Drawer Base Cabinet • 4 Drawers

AH
APC
CCDW
CFO
FE
PE
RD
RTK
VTD
VTK



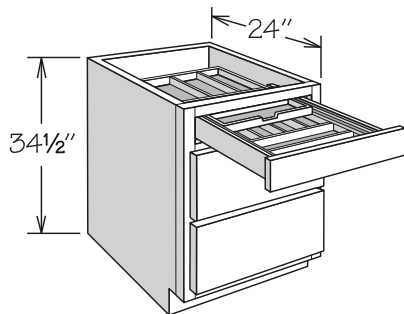
- One large and three standard drawers

4 DRAWERS

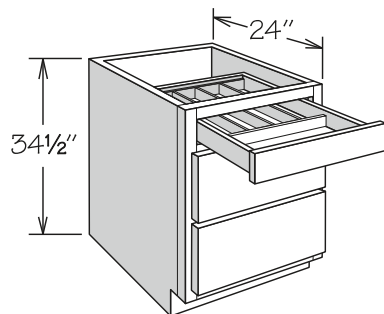
DB12 4DWR
 DB15 4DWR
 DB18 4DWR
 DB21 4DWR
 DB24 4DWR

Drawer Base Cabinet • Drawer Accessories

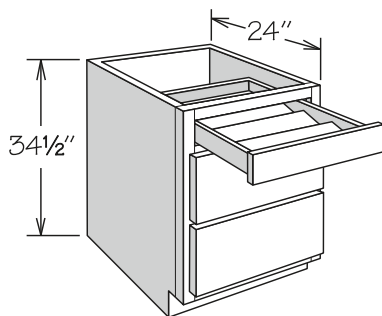
APC
CCDW
FE
PE
RTK
VTK



3 DRAWER
18" Wood Tiered Cutlery Divider Shown



3 DRAWER
18" Cutlery Divider Shown



3 DRAWER
18" Spice Drawer Insert Shown

- Top drawer features solid hardwood dovetail drawer with full-access glides - remaining drawers will utilize engineered wood drawer with side-mounted drawer glides
- Cutlery Divider features solid hardwood and plywood in natural finish
- Spice Drawer Insert features solid hardwood and plywood in natural finish and accommodates most spice containers (not included)
- Wood Tiered Cutlery Divider features:
 - » Solid hardwood and plywood in natural finish
 - » Upper section slides independently from drawer
 - » Additional cooking utensil section on 30" or wider
- Refer to specifications on individual cabinets and accessories for more details

WOOD TIERED CUTLERY DIVIDER	UPPER SECTIONS	LOWER SECTIONS	COOKING UTENSIL SECTIONS
15"	5	5	-
18"	5	6	-
21"	6	7	-
24"	7	7	-
30"	5	5	4
36"	5	6	5

CUTLERY DIVIDER	SECTIONS
15"	4
18"	5
21"	6
24"	6
30"	7
36"	8

3 DRAWER Wood Tiered Cutlery Divider

DB15 WTCD
DB18 WTCD
DB21 WTCD
DB24 WTCD
DB30 WTCD
DB36 1TD WTCD

Cutlery Divider

DB15 CD
DB18 CD
DB21 CD
DB24 CD
DB30 CD
DB36 1TD CD

Spice Drawer Insert

DB15 SDI
DB18 SDI
DB21 SDI
DB24 SDI

4 DRAWER

Wood Tiered Cutlery Divider

DB15 4DWR WTCD
DB18 4DWR WTCD
DB21 4DWR WTCD
DB24 4DWR WTCD

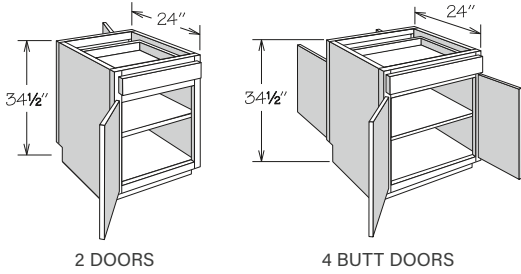
Cutlery Divider

DB15 4DWR CD
DB18 4DWR CD
DB21 4DWR CD
DB24 4DWR CD

Spice Drawer Insert

DB15 4DWR SDI
DB18 4DWR SDI
DB21 4DWR SDI
DB24 4DWR SDI

Peninsula Base • 1 Drawer



- Full-depth adjustable shelf
- Drawer accessible on one side only
- Panel on opposite side of drawer
- When selecting the Recessed Toe Kick Option, the drawer side indicates the front of the cabinet
- Single door cabinets are hinged left and can be reversed in the field

APC
CCH
CCDW
FE
PE
RD
RTK
VTD
VTK

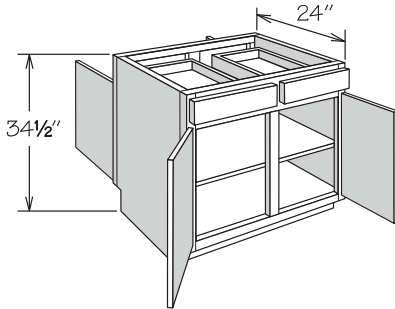
2 DOORS

PB12
PB18
PB24

4 BUTT DOORS

PB24 BUTT
PB30 BUTT
PB36 1TD BUTT

Peninsula Base • 2 Drawers



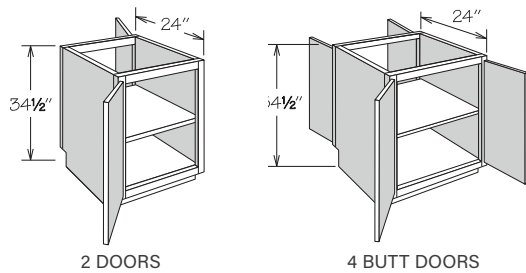
- Full-depth adjustable shelf
- Drawers accessible on one side only
- Features two panels on opposite side of drawers
- When selecting the Recessed Toe Kick Option, the drawer side indicates the front of the cabinet

APC
CCH
CCDW
FE
PE
RD
RTK
VTD
VTK

4 DOORS

PB42

Full-Height Peninsula Base



- Full-height doors
- Full-depth adjustable shelf
- Single door cabinets are hinged left and can be reversed in the field

APC
CCH
FE
PE
RD
RTK
VTK

2 DOORS

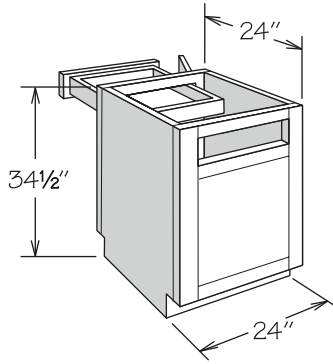
PB12 FH
PB18 FH

4 BUTT DOORS

PB24 BUTT FH
PB30 BUTT FH
PB36 BUTT FH

Blind Peninsula Corner Base

APC
CCH
CCDW
FDS
FE
PE
RD
VTK

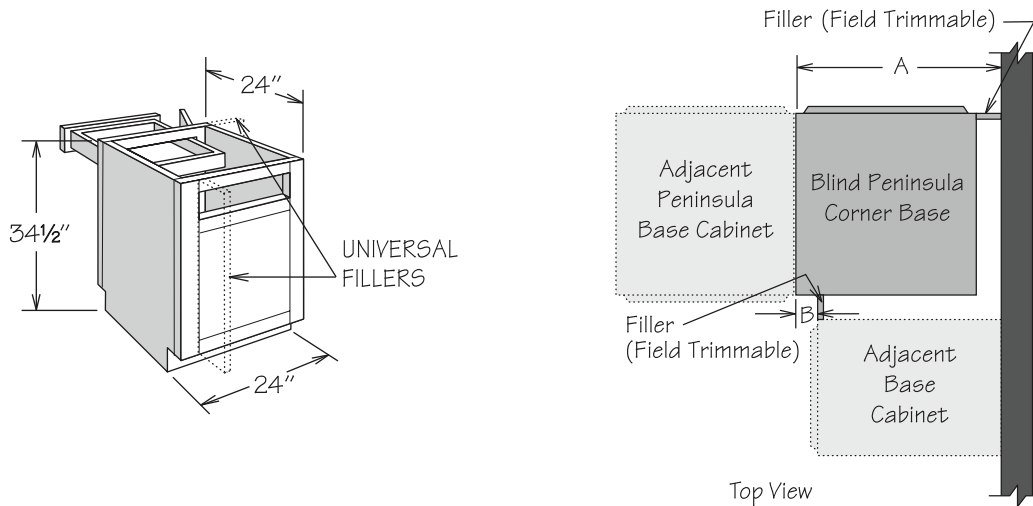


- Half-depth adjustable shelf
- Can be installed left or right
- Universal Fillers are recommended for use between PBC24 and wall and adjoining base cabinet or appliance for hardware clearance and proper door operation
- Cabinet may require pulling from wall – refer to the chart below for specifications
- Roll-out accessories are not recommended
- Must order Universal Fillers separately
- PBC24 is hinged left and can be reversed in the field

1 DOOR
PBC24

2 BUTT DOORS
PBC24 BUTT

BLIND PENINSULA CORNER BASE INSTALLATION CHART



Full Overlay Door Styles

Full overlay door styles require decorative hardware, which has been calculated into dimensions.

*Must use these dimensions if optional Overlay Fillers will be used.

Cabinet	Actual Cabinet Width	Door Opening	Door(s)	Wall Space A			Exposed Frame B		Filler (at wall)	
				Min. Space	Max. Pull	Max. Space*	Min. Space	Max. Space*	Min.	Max.*
PBC24	24"	20 3/4"	DR2424	26 1/4"	3/4"	27"	2 1/4"	3"	2 1/4"	3"
PBC24 BUTT	24"	20 3/4"	DR1224 BUTT (2)	26 1/4"	3/4"	27"	2 1/4"	3"	2 1/4"	3"

Partial Overlay Door Styles

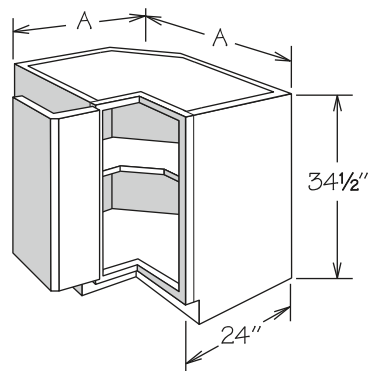
Wall Space A requirements include optional decorative hardware clearance.

1/4" may be deducted if decorative hardware is not used.

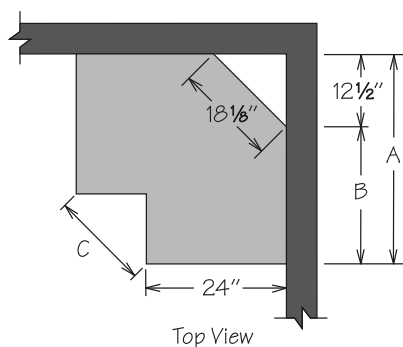
Cabinet	Actual Cabinet Width	Door Opening	Door(s)	Wall Space A			Exposed Frame B		Filler (at wall)	
				Min. Space	Max. Pull	Max. Space	Min. Space	Max. Space	Min.	Max.
PBC24	24"	20 3/4"	DR2424	25 3/8"	1 5/8"	27"	1 3/8"	3"	1 3/8"	3"
PBC24 BUTT	24"	20 3/4"	DR1224 BUTT (2)	25 3/8"	1 5/8"	27"	1 3/8"	3"	1 3/8"	3"

Base Easy Reach

AH
APC
FE
PE
VTK



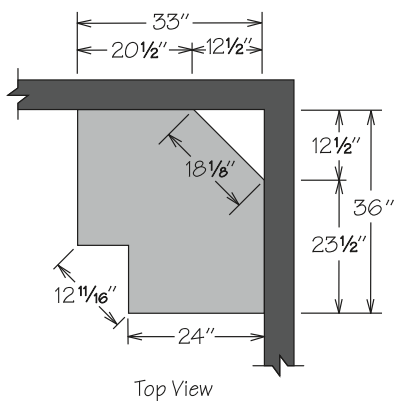
- Features a solid top
- One adjustable half-depth shelf (non-removable)
- All door styles must be ordered hinged left or right
- BER33 features two solid recessed panel doors for Elderidge door style
- Sides are finished
- Stile width and outside profile of both doors at door-to-door hinge may vary from standard dimension and profile for proper door function
- Doors open 170°
- Cabinet recommends a minimum of 32" to fit through doorway
- Additional space recommended if appliance is installed on the hinge side of this cabinet for proper door operation - decorative hardware should be taken into consideration for the overall depth of appliance



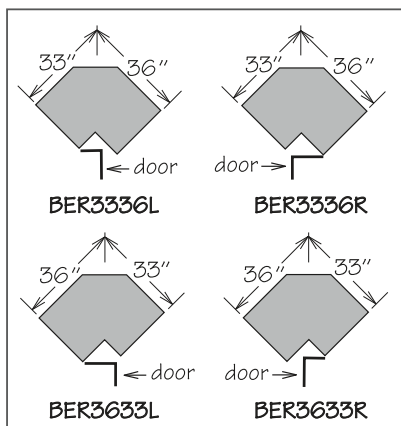
SHELF	A	B	C
BER33	33"	20 1/2"	10 7/16"
BER36	36"	23 1/2"	14 5/8"

Asymmetrical Base Easy Reach

AH
APC
FE
PE
VTK



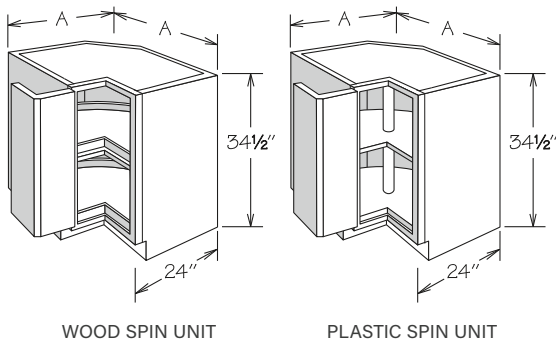
- Features a solid top
- One adjustable half-depth shelf (non-removable)
- All door styles must be ordered hinged left or right
- Elderidge door style features one solid recessed panel door (33" side) and one solid raised panel door (36" side)
- Sides are finished
- Stile width and outside profile of both doors at door-to-door hinge may vary from standard dimension and profile for proper door function
- Doors open 170°
- Cabinet recommends a minimum of 32" to fit through doorway
- Additional space recommended if appliance is installed on the hinge side of this cabinet for proper door operation - decorative hardware should be taken into consideration for the overall depth of appliance



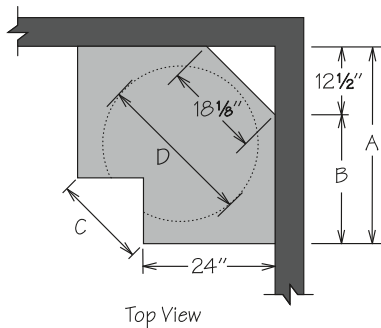
SHELF
BER3336
BER3633

Base Super Susan • Spin Unit

AH
APC
FE
PE
VTK



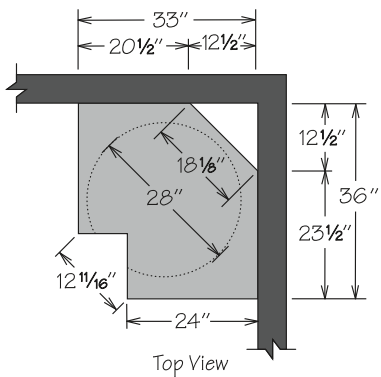
- Features a solid top
- All door styles must be ordered hinged left or right
- BSS33 features two solid recessed panel doors for Elderidge door style
- Sides are finished
- Stile width and outside profile of both doors at door-to-door hinge may vary from standard dimension and profile for proper door function
- Doors open 170°
- Cabinet recommends a minimum of 32" to fit through doorway
- Additional space recommended if appliance is installed on the hinge side of this cabinet for proper door operation – decorative hardware should be taken into consideration for the overall depth of appliance
- Wood Spin Units feature:
 - » One fixed spin unit mounted on cabinet floor
 - » One spin unit attached to 3/4" adjustable shelf
 - » Natural wood finish with 1" lip
- Plastic Spin Units feature:
 - » Two spin shelves with pole (top shelf adjustable)
 - » White high strength plastic shelves



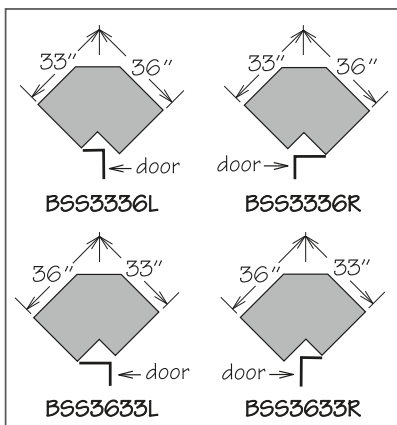
	A	B	C	D
Wood Spin Unit				
BSS33 WD	33"	20 1/2"	10 7/16"	28"
BSS36 WD	36"	23 1/2"	14 5/8"	32"
Plastic Spin Unit				
BSS33	33"	20 1/2"	10 7/16"	28"
BSS36	36"	23 1/2"	14 5/8"	32"

Asymmetrical Base Super Susan • Spin Unit

AH
APC
FE
PE
VTK



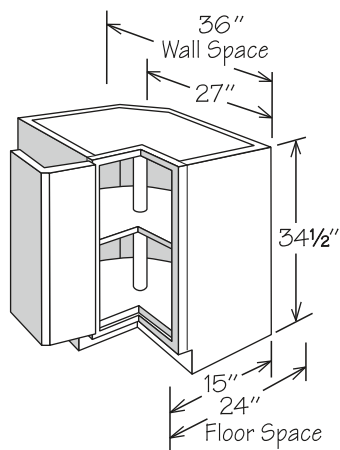
- Features a solid top
- All door styles must be ordered hinged left or right
- Elderidge door style features one solid recessed panel door (33" side) and one solid raised panel door (36" side)
- Sides are finished
- Stile width and outside profile of both doors at door-to-door hinge may vary from standard dimension and profile for proper door function
- Doors open 170°
- Cabinet recommends a minimum of 32" to fit through doorway
- Additional space recommended if appliance is installed on the hinge side of this cabinet for proper door operation – decorative hardware should be taken into consideration for the overall depth of appliance
- Wood Spin Units feature:
 - » One fixed spin unit mounted on cabinet floor
 - » One spin unit attached to 3/4" adjustable shelf
 - » Natural wood finish with 1"
- Plastic Spin Units features:
 - » Two spin shelves with pole (top shelf adjustable)
 - » White high strength plastic shelves



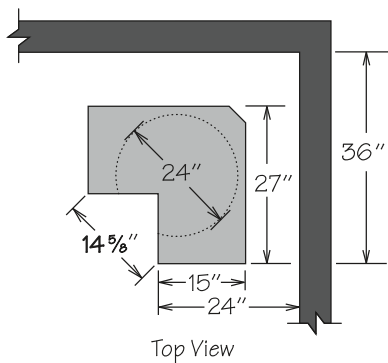
WOOD SPIN UNIT	PLASTIC SPIN UNIT
BSS3336 WD	BSS3336
BSS3633 WD	BSS3633

Corner Base Carousel • Spin Unit

AH
VTK



- Features a solid top
- All door styles must be ordered hinged left or right
- Sides are unfinished
- Stile width and outside profile of both doors at door-to-door hinge may vary from standard dimension and profile for proper door function
- Doors open 170°
- If unit has an exposed side, order end panel separately
- Additional support for countertop in back is necessary
- Additional space recommended if appliance is installed on the hinge side of this cabinet for proper door operation – decorative hardware should be taken into consideration for the overall depth of appliance
- Unit must be pulled to install in a 36" x 36" space
- Wood Spin Units feature:
 - » Two natural finish solid hardwood spin shelves with pole (top shelf adjustable)
- Plastic Spin Units feature:
 - » Two white high strength plastic spin shelves with pole (top shelf adjustable)

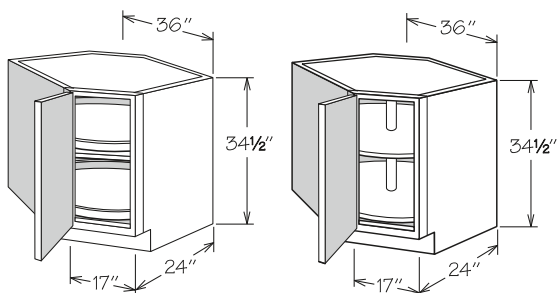


WOOD SPIN UNIT
CAR36 WD

PLASTIC SPIN UNIT
CAR36

Corner Base • Spin Unit

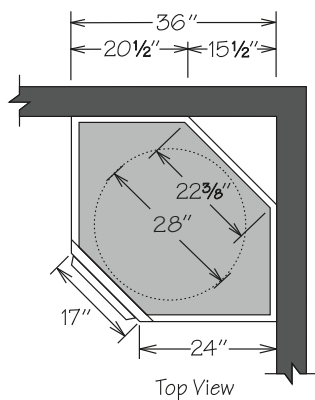
AH
APC
CCH
FE
PE
VTK



WOOD SPIN UNIT

PLASTIC SPIN UNIT

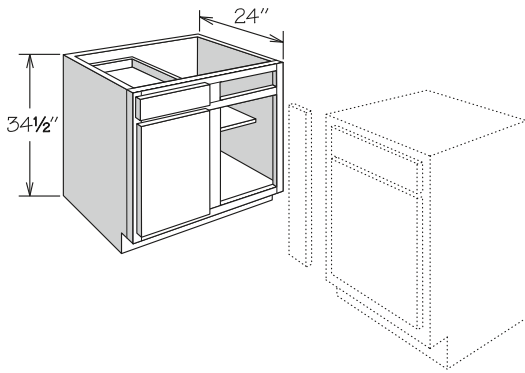
- Sides are finished
- Cabinet requires a minimum of 34" to fit through doorway
 - » White high strength plastic shelves
- Additional space recommended if appliance is installed on the hinge side of this cabinet for proper door operation – decorative hardware should be taken into consideration for the overall depth of appliance
- Cabinet features solid top
- Wood Spin Units feature:
 - » One fixed spin unit mounted on cabinet floor
 - » One spin unit attached to 3/4" adjustable shelf
 - » Natural wood finish with 1" lip
- Plastic Spin Units feature:
 - » Two spin shelves with pole (top shelf adjustable)
- Hinged left and can be reversed in the field



WOOD SPIN UNIT
CBS36 WD

PLASTIC SPIN UNIT
CBS36

Blind Corner Base



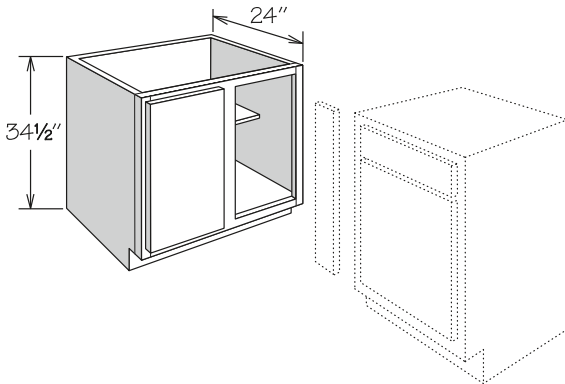
- Half-depth adjustable shelf
- Blind base door and drawer are installed in the left section
- Door and drawer can be reversed in the field as blind sections are identical
- Includes 1/8" panel to cover blind opening (field trim and install)
- Refer to the chart below for specifications
- Recessed Toe Kick Both Option (RTKB) available only
- Must order Universal Filler separately
- Center support for shelf provided (excluding BLB36/39)

AH
APC
CCH
CCDW
CFO
FDS
FE
PE
RD
RTK
VTK

1 SHELF

BLB36/39
BLB39/42
BLB42/45
BLB45/48
BLB48/51

Full Height Blind Corner Base



- Half-depth adjustable shelf
- Center support for shelf provided (excluding BLB36/39 FH)
- Blind base door is installed in the left section
- Door can be reversed in the field as blind sections are identical
- Includes 1/8" panel to cover blind opening (field trim and install)
- Refer to the chart for specifications
- Recessed Toe Kick Both Option (RTKB) available only
- Must order Universal Filler separately

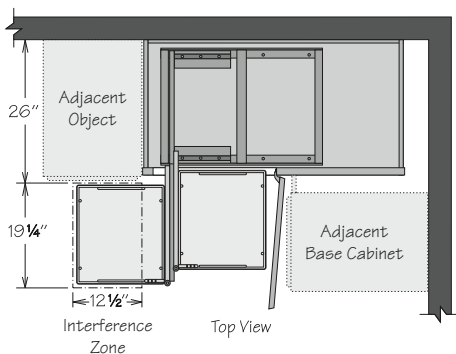
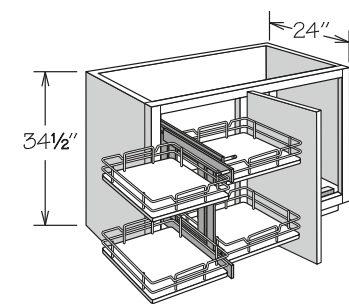
AH
APC
CCH
CFO
FDS
FE
PE
RD
RTK
VTK

1 SHELF

BLB36/39 FH
BLB39/42 FH
BLB42/45 FH
BLB45/48 FH
BLB48/51 FH

AH
APC
CCH
FE
PE
RTK
VTK

Blind Corner Base • Pull Out Kit



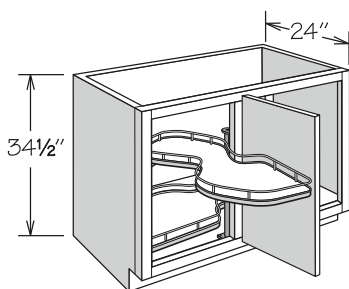
- Full-height door
- Blind base door is installed in the left section
- Door and Pull Out Kit can be reversed in the field as blind sections are identical
- Includes 1/8" panel to cover blind opening (field trim and install)
- Refer to the Blind Corner Base Installation Chart for specifications
- Recessed Toe Kick Both Option (RTKB) available only
- Pull out kit:
 - » Features two-tiered organizer with four chrome finish wire shelves and engineered wood bottoms with woodgrain look
 - » Features full-extension, 100-pound rated glides
 - » Packaged separately for field installation
 - » Mounts to cabinet floor
- Unit requires 19 1/4" of clearance in front of cabinet to pull the unit out, and 12 1/2" of side clearance to slide the unit over
- Pull out kit remains fully functional with use of Hinge Restriction Clip (86° angle) on blind base door
- Baskets are able to be repositioned to allow clearance of deeper adjacent objects up to 26"
- Supports up to 27 pounds per front shelf and 34 pounds per back shelf

PULL OUT KIT

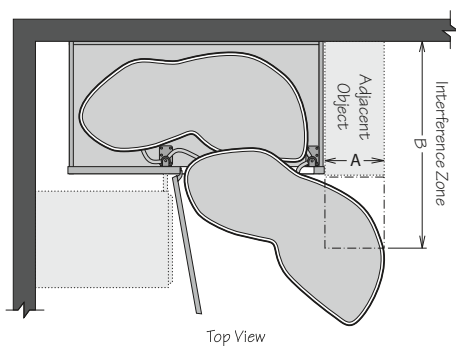
BLB45/48 FH POK
BLB48/51 FH POK

Blind Corner Base • Swing Out Kit

AH
APC
CCH
RTK
VTK



BLB45/48 FH SOKL Shown



BLB45/48 FH SOKR Shown

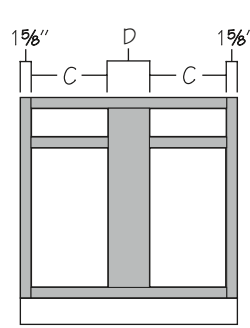
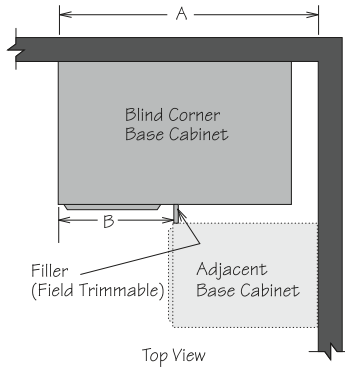
- Full-height door
- Features Furniture Ends standard
- Blind base door is installed in the left section
- Door can be reversed in the field as blind sections are identical, kit is not reversible and must be ordered as left or right
- Includes 1/8" panel to cover blind opening (field trim and install)
- Refer to the Blind Corner Base Installation Chart for specifications
- Recessed Toe Kick Both Option (RTKB) available only
- Swing Out kit:
 - » Must be ordered left or right
 - » Features two-tiered organizer with two chrome finish wire shelves and engineered wood bottoms with woodgrain look
 - » Swing out kit remains fully functional with use of Hinge Restriction Clip (86° angle) on blind base door
 - » Supports up to 55 pounds per shelf
 - » Packaged separately for field installation
 - » Mounts to cabinet side panel and telescopic pole (included)

A (Distance from edge of BLB frame)	0"	3"	6"	9"	12"	13"
B (Maximum Depth of Adjacent Object)	24 7/8"	25 1/2"	27 1/2"	28 5/8"	32 1/4"	no interference

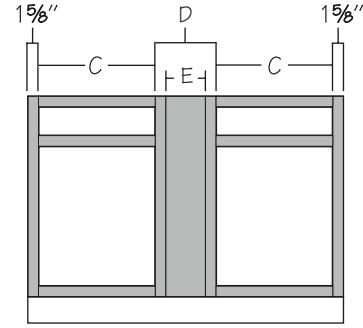
SWING OUT KIT

BLB45/48 FH SOKL
BLB45/48 FH SOKR
BLB48/51 FH SOKL
BLB48/51 FH SOKR

BLIND CORNER BASE INSTALLATION CHART



BLB36/39 - BLB45/48
BLB36/39 FH - BLB42/45 FH



BLB45/48 FH, BLB48/51, BLB48/51 FH

Full Overlay Door Styles

Full Overlay door styles require decorative hardware, which has been calculated into dimensions.

*Dimension requirements do not include optional Overlay Fillers - add 7/8" if Overlay Fillers will be used, except for BLB48/51 add 1/8".

Cabinet	Actual Cabinet Width	Wall Space A			Exposed Frame B		C Door Opening	Door(s)	D	E
		Minimum Space*	Maximum Pull	Maximum Space	Minimum Space*	Maximum Space				
BLB36/39	27"	38 1/4"	1 3/4"	40"	14 1/4"	16"	8 3/4"	DR1224	6 1/4"	-
BLB36/39 FH	27"	38 1/4"	1 3/4"	40"	14 1/4"	16"	8 3/4"	DR12FH	6 1/4"	-
BLB39/42	33"	41 1/4"	1 3/4"	43"	17 1/4"	19"	11 3/4"	DR1524	6 1/4"	-
BLB39/42 FH	33"	41 1/4"	1 3/4"	43"	17 1/4"	19"	11 3/4"	DR15FH	6 1/4"	-
BLB42/45	39"	44 1/4"	1 3/4"	46"	20 1/4"	22"	14 3/4"	DR1824	6 1/4"	-
BLB42/45 FH	39"	44 1/4"	1 3/4"	46"	20 1/4"	22"	14 3/4"	DR18FH	6 1/4"	-
BLB45/48	45"	47 1/4"	1 3/4"	49"	23 1/4"	25"	17 3/4"	DR2124	6 1/4"	-
BLB45/48 FH	45"	47 1/4"	1 3/4"	49"	23 1/4"	25"	17 3/4"	DR21FH	6 1/4"	3"
BLB48/51	48"	48"	4"	52"	24"	28"	17 3/4"	DR2124	9 1/4"	6"
BLB48/51 FH	48"	48"	4"	52"	24"	28"	17 3/4"	DR21FH	9 1/4"	6"

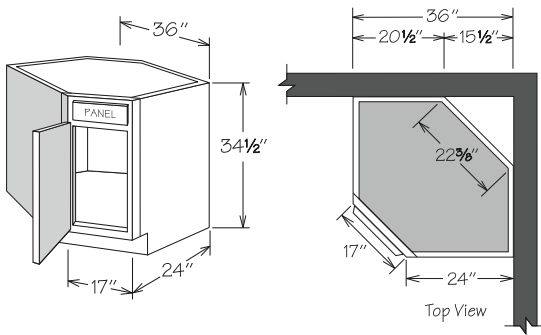
Partial Overlay Door Styles

Wall Space A requirements include optional decorative hardware clearance.

1 1/4" may be deducted if decorative hardware is not used.

Cabinet	Actual Cabinet Width	Wall Space A			Exposed Frame B		C Door Opening	Door(s)	D	E
		Minimum Space	Maximum Pull	Maximum Space	Minimum Space	Maximum Space				
BLB36/39	27"	37 3/8"	2 5/8"	40"	13 3/8"	16"	8 3/4"	DR1224	6 1/4"	-
BLB36/39 FH	27"	37 3/8"	2 5/8"	40"	13 3/8"	16"	8 3/4"	DR1230	6 1/4"	-
BLB39/42	33"	40 3/8"	2 5/8"	43"	16 3/8"	19"	11 3/4"	DR1524	6 1/4"	-
BLB39/42 FH	33"	40 3/8"	2 5/8"	43"	16 3/8"	19"	11 3/4"	DR1530	6 1/4"	-
BLB42/45	39"	43 3/8"	2 5/8"	46"	19 3/8"	22"	14 3/4"	DR1824	6 1/4"	-
BLB42/45 FH	39"	43 3/8"	2 5/8"	46"	19 3/8"	22"	14 3/4"	DR1830	6 1/4"	-
BLB45/48	45"	46 3/8"	2 5/8"	49"	22 3/8"	25"	17 3/4"	DR2124	6 1/4"	-
BLB45/48 FH	45"	46 3/8"	2 5/8"	49"	22 3/8"	25"	17 3/4"	DR2130	6 1/4"	3"
BLB48/51	48"	48"	4"	52"	24"	28"	17 3/4"	DR2124	9 1/4"	6"
BLB48/51 FH	48"	48"	4"	52"	24"	28"	17 3/4"	DR2130	9 1/4"	6"

Corner Sink Base • 1 Door

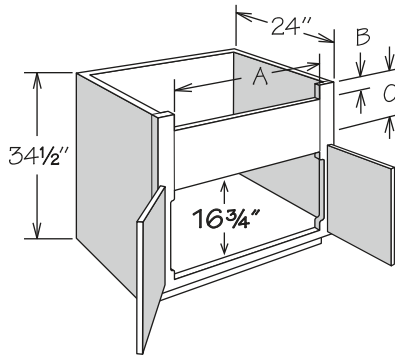


- No shelf
- Sides are finished
- Cabinet requires a minimum of 34" to fit through doorway
- Additional space recommended if appliance is installed on either side of this cabinet for proper appliance door operation
- Cabinet features solid top which must be field cut for sink installation as per manufacturer's specifications
- Maximum sink width is 22³/₈" if cut out is 4" back from face of front frame
- Refer to sink manufacturer's specifications for adequate clearance and required installation materials
- Hinged left and can be reversed in the field
- Touch Up Kit included

AH
APC
CCH
FE
PE
VTK

CSB36

Deep Sink/Range Base • 2 Butt Doors

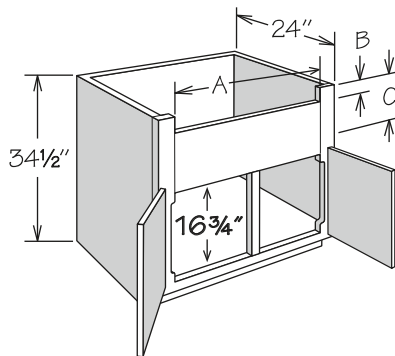


- No shelf
- Accommodates farm sinks
- Apron stiles are 3⁵/₈" wide and trimmable
- A cutout exists in the door area where the 3⁵/₈" stiles are routed to 1⁵/₈"
- Refer to sink or appliance manufacturer's specifications for adequate clearance and required installation materials
- Touch Up Kit included

AH
APC
CCH
FE
PE
RD
RTK
VTK

	A-MIN.	A-MAX.	B	C-FOL	C-POL
DSB30 BUTT	23 ³ / ₄ "	28"	2 ⁷ / ₈ "	10"	10 ¹ / ₂ "
DSB33 BUTT	26 ³ / ₄ "	31"	2 ⁷ / ₈ "	10"	10 ¹ / ₂ "
DSB36 BUTT	29 ³ / ₄ "	34"	2 ⁷ / ₈ "	10"	10 ¹ / ₂ "

Deep Sink/Range Base • 2 Doors



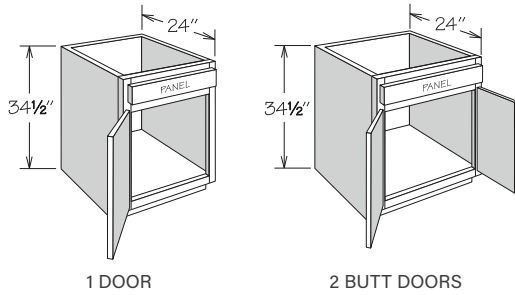
- No shelf
- Accommodates farm sinks
- Apron stiles are 3⁵/₈" wide and trimmable
- A cutout exists in the door area where the 3⁵/₈" stiles are routed to 1⁵/₈"
- Refer to sink or appliance manufacturer's specifications for adequate clearance and required installation materials
- Touch Up Kit included

AH
APC
CCH
FE
PE
RD
RTK
VTK

	A-MIN.	A-MAX.	B	C-FOL	C-POL
DSB39	32 ³ / ₄ "	37"	2 ⁷ / ₈ "	10"	10 ¹ / ₂ "

Sink/Cooktop Base

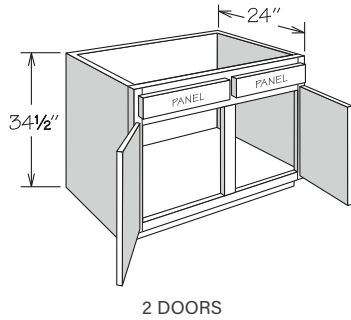
AH
APC
CCH
FE
PE
RD
RTK
VTK



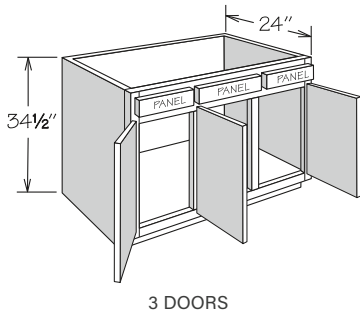
- No shelf
- Full-height back
- Subtract 1 1/2" from width and depth for available sink bowl opening
- Refer to sink or appliance manufacturer's specifications for adequate clearance and required installation materials
- Touch Up Kit included
- Single door cabinets are hinged left and can be reversed in the field

1 DOOR

2 BUTT DOORS



2 DOORS



3 DOORS

1 DOOR

- SB18
- SB21
- SB24

2 BUTT DOORS

- SB24 BUTT
- SB27 BUTT
- SB30 BUTT
- SB33 BUTT
- SB36 BUTT

2 DOORS

- SB39
- SB42
- SB48

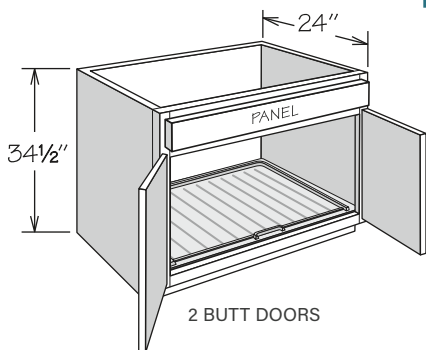
3 DOORS

- SB45

Sink Base • 1 Sink Base Mat

NEW! PRODUCT

AH
APC
FE
RTK
VTK



2 BUTT DOORS

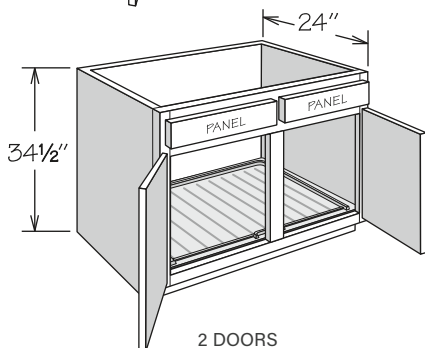
- No shelf
- Full-height back
- Subtract 1 1/2" from width and depth for available sink bowl opening
- Refer to sink or appliance manufacturer's specifications for adequate clearance and required installation materials
- Touch Up Kit included
- Sink Base Mat is shipped separately for field installation
- Sink Base Mat for SB39 is notched for center stile

2 BUTT DOORS

- SB30 BUTT SBMAT
- SB33 BUTT SBMAT
- SB36 BUTT SBMAT

2 DOORS

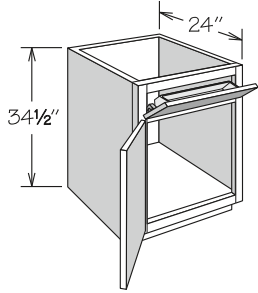
- SB39 SBMAT



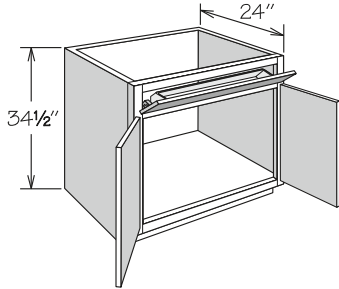
2 DOORS

AH
APC
CCH
FE
PE
RD
RTK
VTK

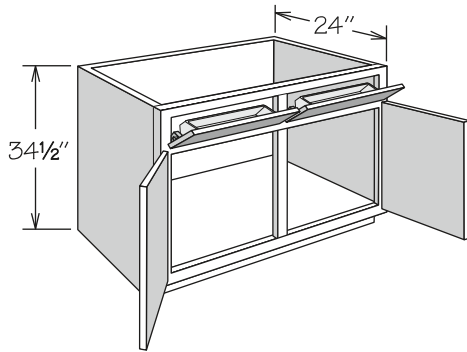
Sink Base • Stainless Tilt-Out Tray(s)



1 DOOR



2 BUTT DOORS



2 DOORS

- No shelf
- Full-height back
- Subtract 1 1/2" from width and 3 3/4" from depth for available sink bowl opening
- Tilt-Out Trays are NOT dishwasher safe
- Refer to sink manufacturer's specifications for adequate clearance and required installation materials
- Touch Up Kit included
- Single door cabinets are hinged left and can be reversed in the field

1 DOOR

SB21 STO
SB24 STO

2 BUTT DOORS

SB24 BUTT STO
SB27 BUTT STO
SB30 BUTT STO
SB33 BUTT STO
SB36 BUTT STO

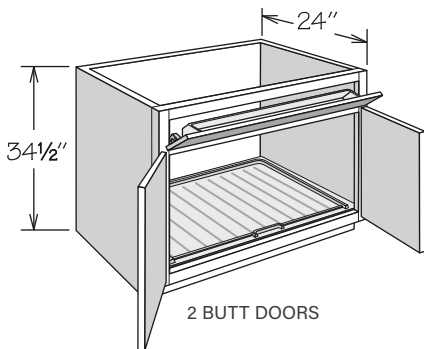
2 DOORS

SB39 STO
SB42 STO
SB48 STO

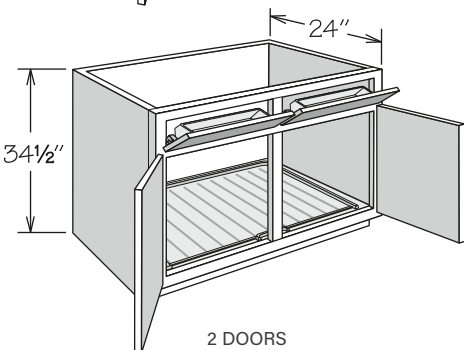
Sink Base • 1 Sink Base Mat and Tilt-Out Tray(s)

NEW! **PRODUCT**

AH
APC
FE
RTK
VTK



2 BUTT DOORS



2 DOORS

- No shelf
- Full-height back
- Subtract 1 1/2" from width and depth for available sink bowl opening
- Tilt-out Trays are NOT dishwasher safe
- Refer to sink manufacturer's specifications for adequate clearance and required installation materials
- Touch Up Kit included
- Sink Base Mat is shipped separately for field installation
- Sink Base Mat for SB39 is notched for center stile

2 BUTT DOORS

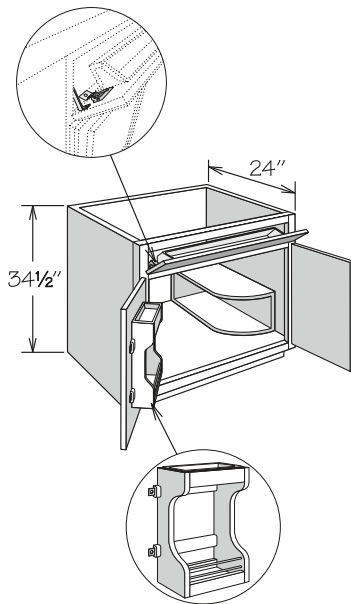
SB30 BUTT STO SBMAT
SB33 BUTT STO SBMAT
SB36 BUTT STO SBMAT

2 DOORS

SB39 STO SBMAT

Sink Base Multi-Storage Cabinet

AH
APC
CCH
FE
PE
RTK
VTK



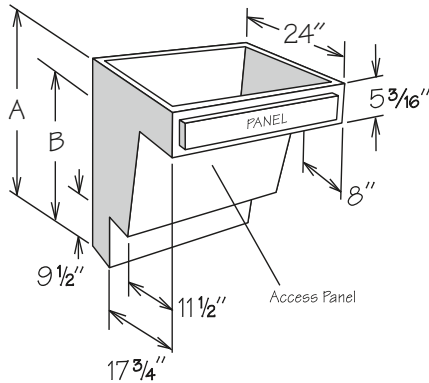
- Cabinet features:
 - » Factory installed Sink Base Door Storage Unit
 - » One Stainless Tilt-Out Tray
 - » Sink Base Multi-Storage Shelf (SBMSS) shipped separately for field installation left or right
- Full-height back
- Sink Base Multi-Storage Shelf measures 8 1/16" wide x 8" high x 17 1/2" deep
- Subtract 1 1/2" from width and 3 3/4" from depth for available sink bowl opening
- Tilt-Out Trays and Door Storage Unit trays are NOT dishwasher safe
- Refer to sink manufacturer's specifications for adequate clearance and required installation materials
- Touch Up Kit included

2 BUTT DOORS

SBMSC30 BUTT STO
SBMSC36 BUTT STO

Sink Base • Base Plumbing Skirt

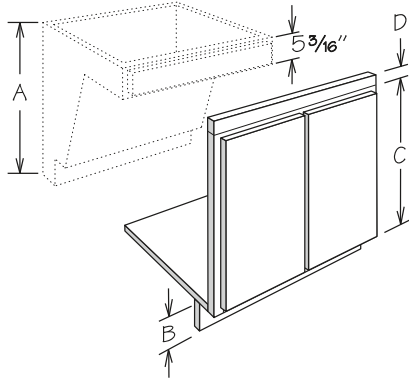
APC
FE



- Features kneehole drawer front - refer to door style section
- Features plywood sides
- Removable front access panel attached with 4 sets of DDF Fasteners (DDF FASTENER qty 2)
- Subtract 1 1/2" from width and depth for available sink bowl opening
- Maximum available height inside cabinet for sink bowl is 5"
- Water lines, drains, and P-Trap must be installed at 6" maximum from wall
- Refer to sink manufacturer's specifications for adequate clearance and required installation materials
- Matching toe kick included
- Must be installed between two cabinets or a cabinet and a wall
- May be used with Adaptable Sink Base Kit (ASB) - order separately

	A	B
32 1/2" High		
BPS30 UD	32 1/2"	27 3/8"
BPS36 UD	32 1/2"	27 3/8"
32 1/2" High		
BPS3034 UD	34 1/2"	29 3/8"
BPS3634 UD	34 1/2"	29 3/8"

Adaptable Sink Base Kit



- For use with Base Plumbing Skirt (BPS) - MUST be ordered separately
- Kit contains:
 - » Face frame with hinged butt doors
 - » One Tall Filler (S3S396)
 - » Four sets of Drawer Front Fasteners (DDF FASTENER qty 2)
 - » One Sink Floor (FL36)
 - » One Hardwood Cleat (HWC 2X4X96)
 - » Installation instructions
- Features CushionClose hinges standard for all door styles
- Kit must be assembled in the field

A BPS	B DESIRED TOE KICK HEIGHT	C FACE FRAME HEIGHT	D S3S TRIMMED	KIT
32 1/2"	2"	24 1/2"	13/16"	ASB_34 KIT
32 1/2"	4"	20 5/8"	2 11/16"	ASB_32 KIT
34 1/2"	4"	24 1/2"	13/16"	ASB_34 KIT

20 5/8" Frame

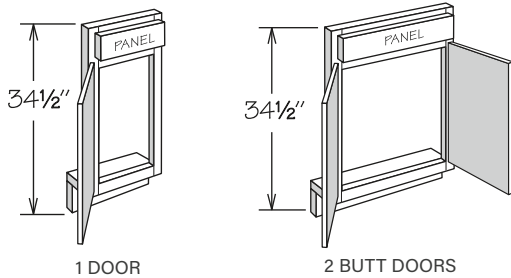
ASB3032 KIT
ASB3632 KIT

24 1/2" Frame

ASB3034 KIT
ASB3634 KIT

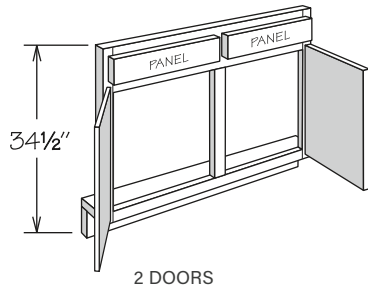
Sink/Cooktop Front

CCH

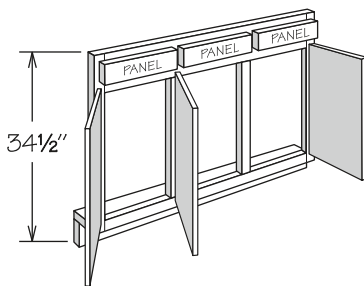


1 DOOR

2 BUTT DOORS



2 DOORS



3 DOORS

- SF45 is hinged as shown - can be reversed in the field
- Order floor and returns separately (field trimming may be required) - refer to Panel Section for availability (page 187)

1 DOOR

SF12
SF15
SF18
SF21
SF24

2 BUTT DOORS

SF24 BUTT
SF27 BUTT
SF30 BUTT
SF33 BUTT
SF36 BUTT

2 DOORS

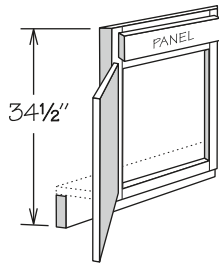
SF39
SF42
SF48

3 DOORS

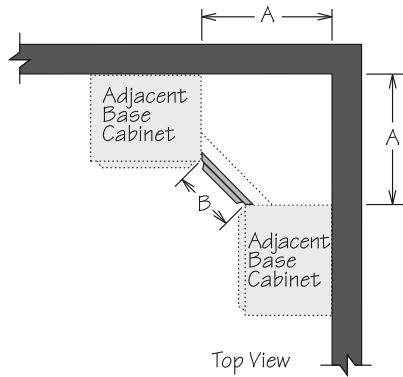
SF45

Corner Sink Front

CCH

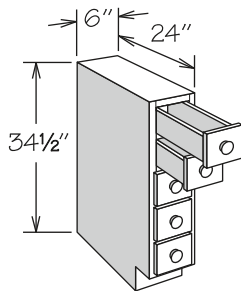


- Vertical edges of frame are mitered to attach to adjacent cabinet frames
- Order floor and returns separately (field trimming may be required) – refer to Panel Section for availability (page 187)
- Filler not required for installation



	A	B
CSF36	35 ³¹ / ₃₂ "	16 ¹⁵ / ₁₆ "
CSF42	42 ¹¹ / ₃₂ "	25 ¹⁵ / ₁₆ "

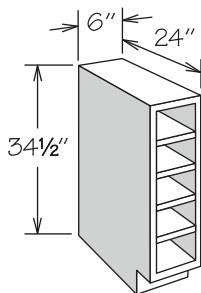
Base Spice Drawer Cabinet



- All door styles feature veneered engineered wood with exterior only finished to match cabinet box exterior
- Five individual full-depth drawers without glides
- Flush sides with no face frame or 1/4" reveals
- All wood drawer body with dovetail construction
- Wood door styles feature matching wood knobs
- Linen and Pewter door styles feature white porcelain knobs
- Features 1/2" thick slab drawer fronts for all door styles

BSDC6

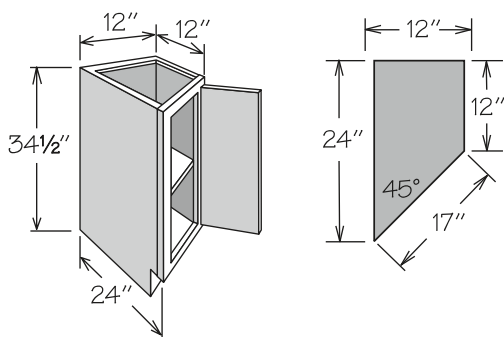
Base Wine Rack Cabinet



- All door styles feature veneered engineered wood finished to match cabinet box exterior
- Interior finished to match cabinet box exterior
- Accommodates five wine bottles (each opening measures: 5" high x 4 1/2" wide)
- 3/4" sides and shelves
- Flush sides with no face frame or 1/4" reveals
- Cannot be retrofitted with Base Spice drawers

BWRC6

Base End Angle • 1 Door



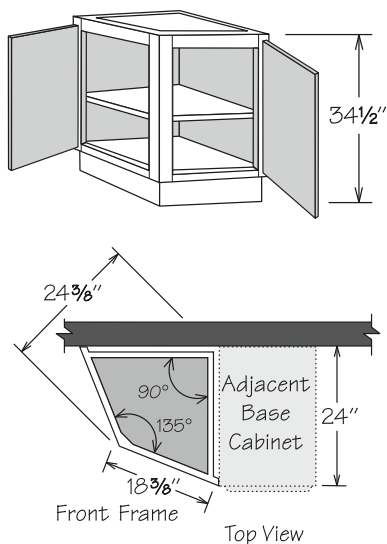
BEA12R FH is shown

- Full-height door
- One adjustable shelf
- Only available with RD-23 through RD-18
- Recessed Toe Kick Option (RTK) only available on 12" side
- Cabinet dimensions are for reference purposes
ONLY - countertop must be measured and fabricated after cabinet installation

APC
CCH
FE
PE
RD
RTK
VTK

BEA12L FH
BEA12R FH

Base End Angle • 2 Doors

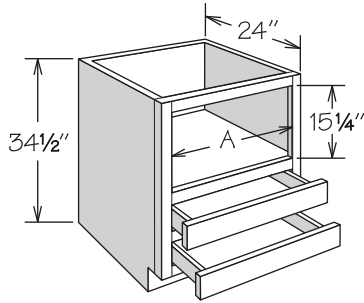


- Features a solid top
- One adjustable shelf
- Requires 24" x 24" space
- Cabinet dimensions are for reference purposes
ONLY - countertop must be measured and fabricated after cabinet installation

APC
CCH
PE
VTK

BEA24 FH

Base Microwave Cabinet • 2 Drawers

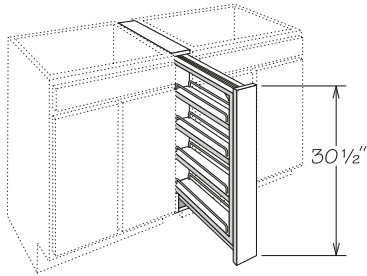


- Microwave opening finished to match cabinet box exterior
- Designed to accommodate countertop style microwave
- Features two standard depth drawers
- Accent molding recommended (order separately)
- Refer to appliance manufacturer's specifications for adequate clearances

AH
APC
CCDW
FE
PE
RD
RTK
VTK

	A
BMC24	20 3/4"
BMC27	23 3/4"
BMC30	26 3/4"

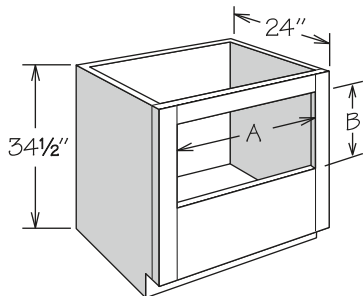
Base Filler Pull-Out



- Features full-extension CushionClose glides
- Must be installed between two base cabinets behind the face frames in 3" (BFP3) or 6" (BFP6) of floor space
- Cannot be installed next to an appliance or at the end of a run
- No side panels or toe kick
- Filler shipped unattached for field installation
- An overlay filler is recommended for full overlay door styles (order separately)
- Two fixed and two adjustable wood shelves with chrome rails
- Decorative hardware strongly recommended

	SHELF WIDTH
BFP3 CC	2 1/8"
BFP6 CC	5 1/8"

Base Oven Cabinet Universal



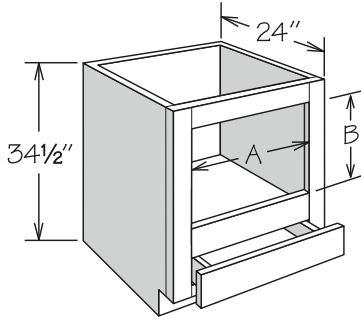
- Designed for mounting single oven below countertop
- 3" top rail is field removable and field trimmable
- 3 1/8" stiles
- Will accommodate certain cooktops (in conjunction with under-counter oven) or drop-in ranges
- Most ovens require a top rail of varying heights to create a finished look and clear the countertop overhang
- Refer to appliance manufacturer's specifications for adequate clearances and required installation materials

AH
APC
FE
PE
RD
RTK
VTK

	A-MIN.	A-MAX.	B-MIN.	B-MAX.*
BOCU27	20 3/4"	24 15/16"	18 1/4"	29"
BOCU30	23 3/4"	27 15/16"	18 1/4"	29"
BOCU33	26 3/4"	30 15/16"	18 1/4"	29"

*Trimming/removal of top rail required

Built-In Base Microwave Cabinet

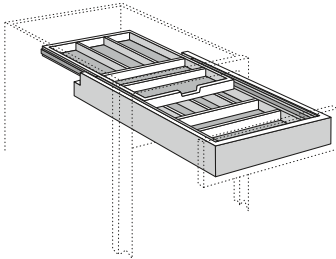


- Designed to accommodate built-in style microwaves with trim kit
- Features one standard depth drawer
- 3 1/4" top rail is field trimmable
- 3 1/8" stiles
- Refer to appliance manufacturer's specifications for adequate clearances and required installation materials

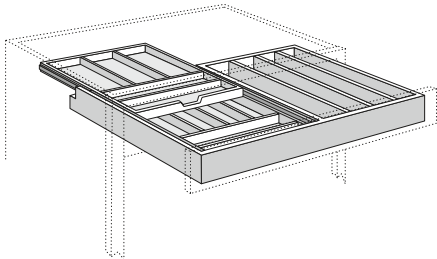
AH
APC
FE
PE
RD
RTK
VTK

	A-MIN.	A-MAX.	B-MIN.	B-MAX.
BBMC24	17 3/4"	22"	15 5/8"	21 1/8"
BBMC27	20 3/4"	25"	15 5/8"	21 1/8"
BBMC30	23 3/4"	28"	15 5/8"	21 1/8"

Wood Tiered Cutlery Divider Kit



18" Wide Shown

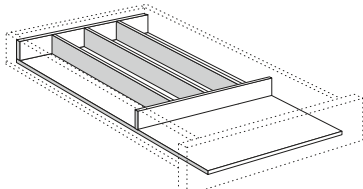
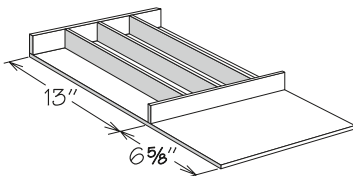


30" Wide Shown

- Available as factory installed
- Dovetail CushionClose Drawer upgrade required
- Field installed accessory replaces existing drawer box
- Glides are NOT included — reuse existing drawer glides
- Solid hardwood and plywood in natural finish
- Double-tiered cutlery divider slides independently from drawer
- Can be installed in cabinets with single drawer or side-by-side drawer configurations
- Not sized to fit cabinets with Reduced Depth Option

WIDTH	UPPER SECTIONS	LOWER SECTIONS	COOKING UTENSIL SECTIONS
WTCDKFD15	5	5	-
WTCDKFD18	5	6	-
WTCDKFD21	6	7	-
WTCDKFD24	7	7	-
WTCDKFD30	5	5	4
WTCDKFD36	5	5	5

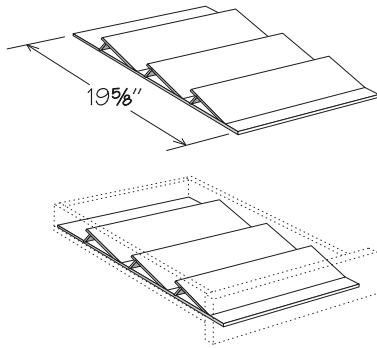
Cutlery Divider Kit



- Available as factory installed
- Field installation accessory
- Solid hardwood and plywood in natural finish
- Sized to fit in a dovetail drawer box or field trim to fit drawers with side-mounted glides
- Not sized to fit cabinets with Reduced Depth Option

	NUMBER OF SECTIONS	WIDTH
CDAK15	4	9 3/4"
CDAK18	5	12 3/4"
CDAK21	6	15 3/4"
CDAK24	6	18 3/4"
CDAK30	7	24 3/4"
CDAK36	8	30 3/4"

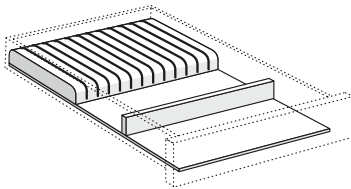
Spice Drawer Insert Kit



- Available as factory installed
- Field installation accessory
- Solid hardwood and plywood in natural finish
- Accommodates most spice containers (not included)
- Sized to fit in a dovetail drawer box or field trim to fit drawers with side-mounted glides
- Not sized to fit cabinets with Reduced Depth Option

	WIDTH
SDIAK15	9 3/4"
SDIAK18	12 3/4"
SDIAK21	15 3/4"
SDIAK24	18 3/4"

Knife Block Drawer Insert Kit

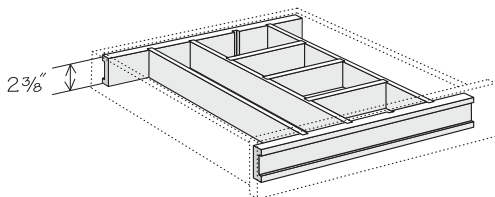


- Sized to fit in a dovetail drawer box or field trim to fit drawers with side-mounted glides
- Field installation accessory
- Solid hardwood in natural finish
- Features knife slots with hilt rest for easy knife removal
- Not sized to fit cabinets with Reduced Depth Option

	NUMBER OF KNIFE SLOTS	WIDTH
KBDIK15	10	9 3/4"
KBDIK18	13	12 3/4"
KBDIK21	16	15 3/4"
KBDIK24	19	18 3/4"

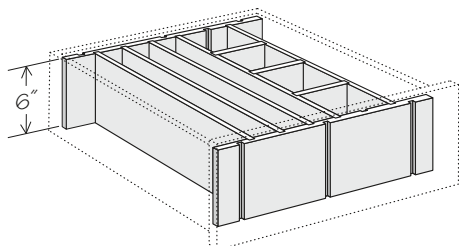
Adjustable Drawer Divider Kit

NEW! **SIZES**



Standard Drawer Kit

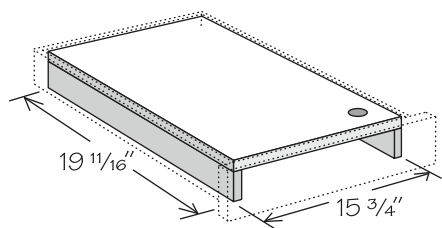
- Standard Drawer Kits are used on upgraded CushionClose Dovetail Drawers (CCDW) and can be field trimmed in width and depth to accommodate 15" - 36" wide drawers and cabinets with the Reduced Depth Option
- Large Drawer Kits are used on upgraded CushionClose Dovetail Drawers (CCDW) and can be field trimmed in width and depth to accommodate 15" - 36" wide drawers and cabinets with the Reduced Depth Option
- Kit includes:
 - » Front and back panels with grooves
 - » Vertical dividers - two are grooved to accept horizontal dividers
 - » Horizontal dividers
 - » Installation screws



Large Drawer Kit

	NUMBER OF VERTICAL DIVIDERS	NUMBER OF HORIZONTAL DIVIDERS
Standard Drawer Kit		
ADIK15/18	4	3
ADIK21/24	4	3
ADIK27/30	5	3
ADIK33/36	9	3
Large Drawer Kit		
ADDIK21/24	4	3
ADDIK27/30	5	3
ADDIK33/36	6	3

Drawer Work Surface

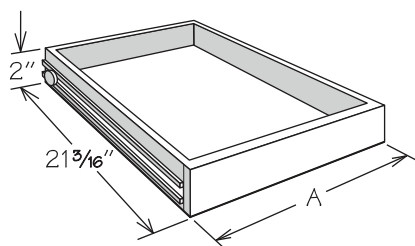


- Sized to fit in a 21" wide dovetail drawer box or field trim to fit drawers with side-mounted glides
- Field installation accessory
- Work surface only - not to be used as a cutting board
- Workboard sits on two wooden supports to flush out top of drawer
- Not sized to fit cabinets with Reduced Depth Option

DWS21

CCSS
RD

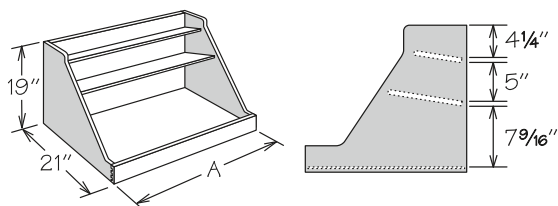
Sliding Shelf Kit



- Field installation accessory
- Engineered wood drawer with solid hardwood front, MDF bottom, and side-mounted drawer glides
- Includes sliding shelf, all glide hardware and instructions
- SSKs can be used with all single and double door base cabinets
- SSK drill template is required for all double door cabinets that have fixed center stile - contact Partner Team for drill template

SLIDING SHELF KIT	A	4 PACK SLIDING SHELF KIT	A
SSK12	8 1/2"	USS12-4K	8 1/2"
SSK15	11 1/2"	USS15-4K	11 1/2"
SSK18	14 1/2"	USS18-4K	14 1/2"
SSK19	16"	USS21-4K	17 1/2"
SSK21	17 1/2"	USS24-4K	20 1/2"
SSK24	20 1/2"	USS27-4K	23 1/2"
SSK27	23 1/2"	USS30-4K	26 1/2"
SSK30	26 1/2"	USS33-4K	29 1/2"
SSK33	29 1/2"	USS36-4K	32 1/2"
SSK36	32 1/2"		

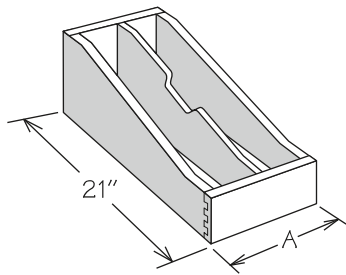
Base Pot & Pan Organizer Kit



- Field installation accessory
- Natural finish solid wood and wood veneer with dovetail (front only) construction and full-extension CushionClose glides
- Top shelf of organizer measures 6 3/16" deep
- Middle shelf of organizer measures 9 3/4" deep
- Not sized to fit reduced depth cabinets

	A	BASE CABINET SIZE	OVEN CABINET SIZE
BPPOKCC24	19 3/4"	24"	27"
BPPOKCC27	22 3/4"	27"	30"
BPPOKCC30	25 3/4"	30"	33"
BPPOKCC33	28 3/4"	33"	—
BPPOKCC36	31 3/4"	36"	—

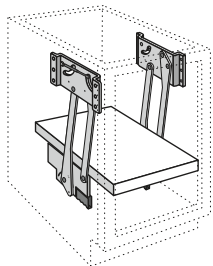
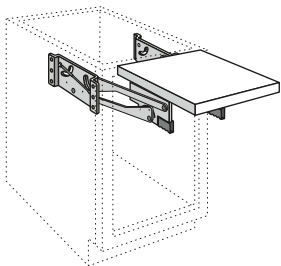
Roll-Out Tray Divider Kit



- Field installation accessory
- Natural finish solid wood and wood veneer with dovetail (front only) construction and full-extension drawer glides
- ROTDK12 features two compartments (one partition)
- ROTDK15 features three compartments (two partitions)
- Partition(s) are field installed
- Not sized to fit reduced depth cabinets

	A	CABINET SIZE
ROTDKCC12	7 ³ / ₄ "	12"
ROTDKCC15	10 ³ / ₄ "	15"

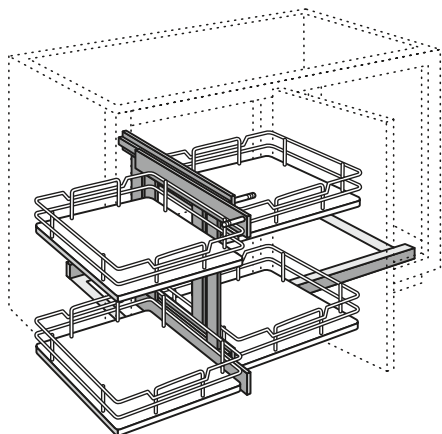
Base Mixer Lift Kit



- Field installation accessory
- Includes 1 3/8" thick natural finish solid wood shelf and one pair of shock dampening, adjustable tension lifts
 - » Shelf measures 13 3/16" wide x 18" deep
- Cannot be used with Sliding Shelf or adjustable shelf
- Supports up to 60 pounds
- For use with B18 FH with the Furniture Ends Option
- Mounts to cabinet side panels
- Not sized to fit cabinets with Reduced Depth Option

BMLK18

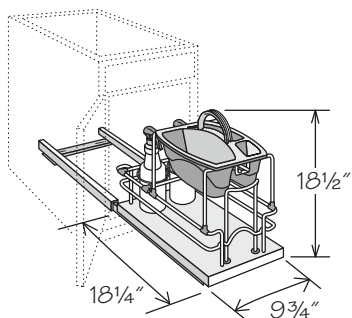
Blind Base Pull Out Kit



- Field installation accessory
- Can be reversed for left or right installation
- Two-tiered organizer features four chrome finish wire shelves with engineered wood bottoms with woodgrain look
- Features full-extension 100-pound rated glides
- Supports up to 27 pounds per front shelf and 34 pounds per back shelf
- For use with BLB45/48 FH or BLB48/51 FH with the Furniture Ends Option
- Not sized to fit cabinets with Reduced Depth Option
- Unit requires 19 1/4" of clearance in front of cabinet to pull the unit out, and 12 1/2" of side clearance to slide the unit over (see page 113 for more details)
- Baskets are able to be repositioned to allow clearance of deeper adjacent objects up to 26"
- Not sized to fit cabinets with Reduced Depth Option

BLBPOK45

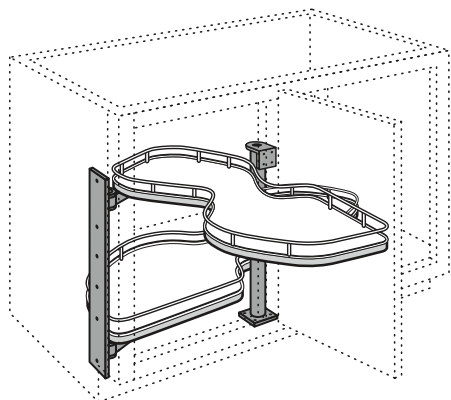
Cleaning Caddy Pullout Kit



- Features metal and wire CushionClose pull-out organizer with two 1L spray bottles and one removable gray cleaning caddy
- Unit is configurable so that spray bottles can be installed at the front or back
- Supports up to 75 pounds
- For use with 15" or wider base cabinet
- Mounts to cabinet floor
- For use in 24" deep base cabinets, 21" deep vanity cabinets or cabinets with RD-23 through RD-20

CCPOK

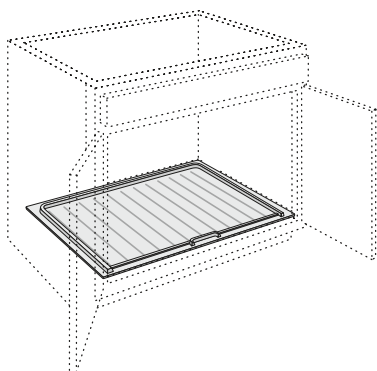
Blind Base Swing Out Kit



- Kit is not reversible and must be ordered as left or right - BLB_ L uses a BLBSOK45R and a BLB_ R uses a BLBSOK45L
- Field installation accessory
- Two-tiered organizer features two chrome finish wire shelves with engineered wood bottoms with woodgrain look
- Supports up to 55 pounds per shelf
- Recommended for use with BLB45/48 FH or BLB48/51 FH, can also be used with BLB45/48 or BLB48/51 - Furniture End Option required
- Mounts to cabinet side panel and telescopic pole (included)
- Not sized to fit cabinets with Reduced Depth Option
- Refer to page 113 for shelf clearances
- Not sized to fit cabinets with Reduced Depth Option

BLBSOK45L
BLBSOK45R

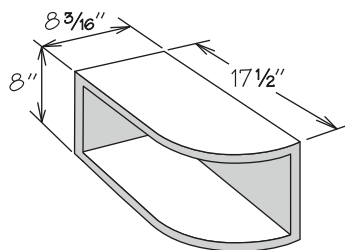
Sink Base Mat



- Field installation accessory
- Designed to funnel any leaks or spills out the front of the cabinet while protecting the cabinet floor
- Features flexible material in gray finish - easily trimmable
- Minor field trimming required for use in Deep Sink Base cabinets
- Not sized or trimmable to fit cabinets with Reduced Depth Option
- SBMAT39 is notched for center stile

SBMAT30
SBMAT33
SBMAT36
SBMAT39

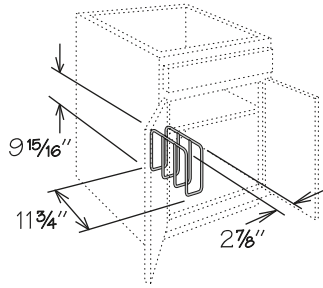
Sink Base Multi-Storage Shelf



- Field installation accessory
- 3/4" plywood with natural finish
- Invert for left or right installation

SBMSS

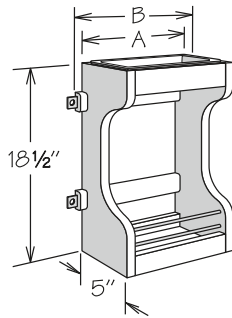
Cabinet Tray Divider



- Field installation accessory
- Chrome finish
- For use in 24" deep cabinets or cabinets with RD-23 through RD-14
- Mounting hardware included

TD3

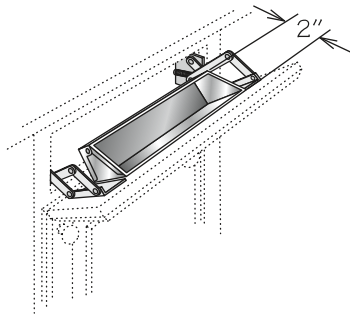
Sink Base Door Storage Unit



- Field installation accessory
- Natural finish solid wood
- Two fixed shelves
- Cannot be used with sliding shelf
- Full-depth shelf must be field trimmed to half-depth
- Removable white plastic tray is NOT dishwasher safe
- SBDSU15 mounts to 15" or 16" wide base door
- SBDSU18 mounts to 18" or 19" wide base door
- Not sized to fit Deep Sink Base (DSB) cabinet doors

	A	B
SBDSU15	9"	10 1/2"
SBDSU18	10 1/2"	13 1/2"

Tilt-Out Tray Kit

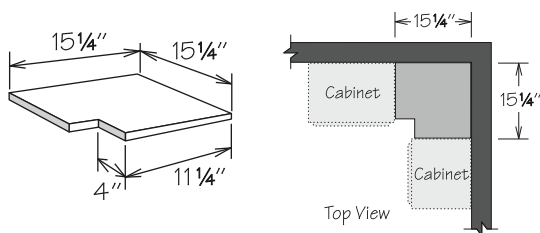


- Field installation accessory
- Kit features tray and one pair of scissor hinges
- Order units individually
- STO TRAY 11:
 - » Order one unit for SB18
- STO TRAY 14:
 - » Order one unit for SB21, SB24, SB27 or CSF42
 - » Order two units for SB39, SB42 or SB48
- STO TRAY 22:
 - » Order one unit for SB30, SB33, or SB36
- Sink front units match sink base sizes as noted above
- Tilt-Out Trays are NOT dishwasher safe

STAINLESS

STO TRAY 11
STO TRAY 14
STO TRAY 22

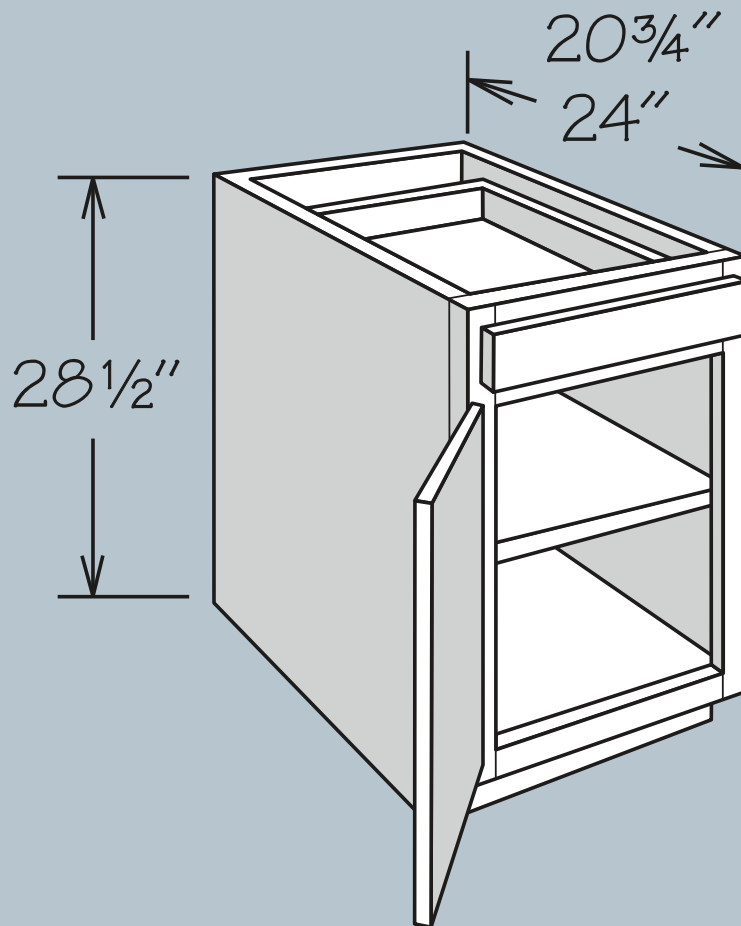
Blind Corner Closure



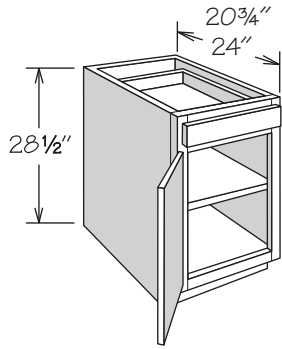
- Features 1/2" engineered wood with natural woodgrain look finished on both sides
- Field trimmable

BLC1515

DESK CABINETS & BOOKSHELVES



Desk Cabinet • 1 Door and 1 Drawer



- One full-depth adjustable shelf
- May be accessorized with one sliding shelf
- Recommend mounting sliding shelf on cabinet floor (order separately)

APC
CCH
CCDW
CFO
FE
PE
RD
RTK
VTK

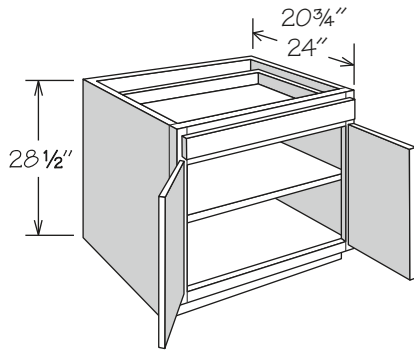
24" DEEP

DDO1224
DDO1524
DDO1824
DDO2124

21" DEEP

DDO1221
DDO1521
DDO1821
DDO2121

Desk Cabinet • 2 Butt Doors and 1 Drawer



- One full-depth adjustable shelf
- May be accessorized with one sliding shelf
- Recommend mounting sliding shelf on cabinet floor (order separately)

APC
CCH
CCDW
CFO
FE
PE
RD
RTK
VTK

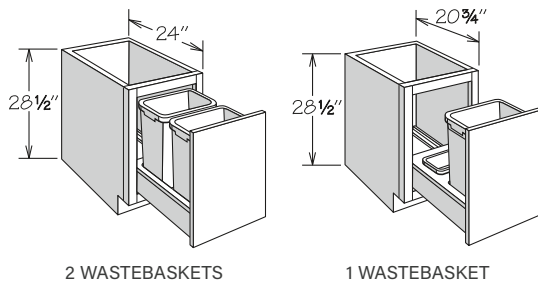
24" DEEP

DDO2424 BUTT

21" DEEP

DDO2421 BUTT

Desk Cabinet • 1 Door with Wastebasket Pull-Out



2 WASTEBASKETS

1 WASTEBASKET

- DWBB1821 wastebasket pull-out features heavy-duty CushionClose full-extension glides (100 pound rated)
- DWBB1824 wastebasket pull-out features heavy-duty full-extension glides (100 pound rated)
- Full-height door
- Wastebasket rests in a natural finish wood frame
- DWBB1824 features two silver plastic 35-quart capacity bins
- DWBB1821 features one silver plastic 35-quart capacity bin and bag storage tray at rear (not dishwasher safe)
- Decorative hardware strongly recommended

APC
CCDW ■
FE
PE
RTK
VTK

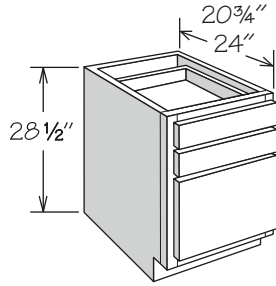
24" DEEP - 2 WASTEBASKETS

DWBB1824 ■

21" DEEP - 1 WASTEBASKET

DWBB1821

Desk Drawer Cabinet • 3 Drawers



- One large and two standard drawers
- Large drawer cannot be used as a file drawer

APC
CCDW
CFO
FE
PE
RD
RTK
VTK

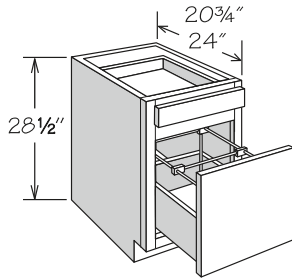
24" DEEP

DDR1224
DDR1524
DDR1824
DDR2124
DDR2424

21" DEEP

DDR1221
DDR1521
DDR1821
DDR2121
DDR2421

Desk Cabinet • 1 Drawer and Door with File Pull-Out



- One standard top drawer
- Features one natural finish wood drawer body attached to door pull-out
- File unit packaged separately for field installation
- Will accept letter or legal-size hanging files

APC
CCDW
FE
PE
RTK
VTK

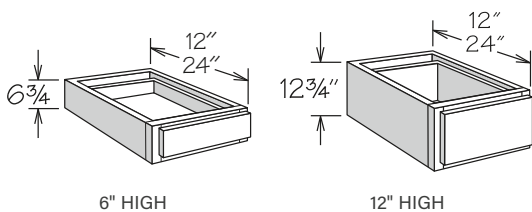
24" DEEP

DFDC1824

21" DEEP

DFDC1821

Furniture Drawer Cabinet • 1 Drawer



- 6" high features one standard drawer and 12" high features one large drawer
- 24" deep Furniture Drawer cabinets are only available with RD-23 through RD-13
- Bottom of cabinet frame must be fully supported

APC
CCDW
CFO
FE
PE
RD ■

6" HIGH • 1 DRAWER

12" Deep

FD121206
FD151206
FD181206
FD211206
FD241206
FD271206
FD301206
FD331206
FD361206

24" Deep

FD122406 ■
FD152406 ■
FD182406 ■
FD212406 ■
FD242406 ■
FD272406 ■
FD302406 ■
FD332406 ■
FD362406 ■

12" HIGH • 1 DRAWER

12" Deep

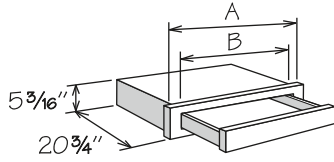
FD121212
FD151212
FD181212
FD211212
FD241212
FD271212
FD301212
FD331212
FD361212

24" Deep

FD122412 ■
FD152412 ■
FD182412 ■
FD212412 ■
FD242412 ■
FD272412 ■
FD302412 ■
FD332412 ■
FD362412 ■

Kneehole Drawer Cabinet

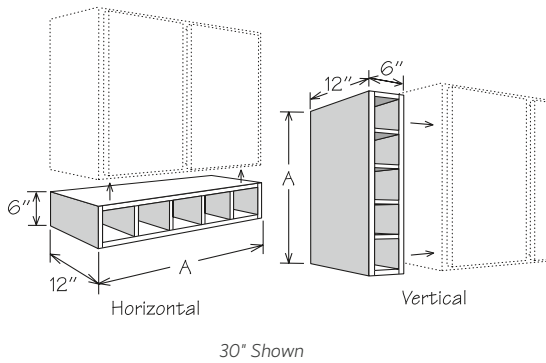
CCDW
RD



- Designed for desk or vanity application
- Field trimmable in height to 4 3/4"
- Field trimmable in depth to 18" or available with RD-20 through RD-12
- Drawer front complements door style - refer to door style section

	A	B	MAX. TRIM
KDC27/21	27"	17 3/4"	21" (3" each side)
KDC33/27	33"	23 3/4"	27" (3" each side)
KDC36/33	36"	29 3/4"	33" (1 1/2" each side)

Storage Cube

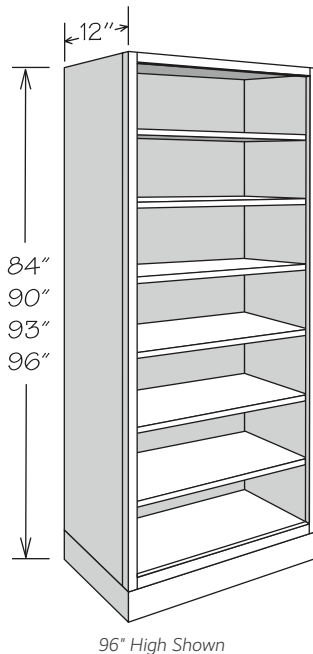


- Vertical installation may require the use of fillers and/or molding which must be ordered separately
- Opening size is 5" wide x 4 1/2" high (horizontal) which will accommodate most envelopes and various other office supplies
- All door styles feature 3/4" veneered engineered wood finished to match cabinet box exterior
- Flush sides with no face frame or 1/4" reveals
- Interior finished to match cabinet box exterior
- Cannot be retrofitted with Spice Drawer Cabinet drawers

	A	NUMBER OF OPENINGS
SC30	30"	5
SC36	36"	6
SC42	42"	7

Tall Bookshelf

APC
FE
ID
PE
RD



- Interior finished to match cabinet box exterior
- Flush furniture toe kick
- Toe kick shipped unattached for 93" and 96" high bookshelves
- 23/32" veneered adjustable shelves packaged separately

12" DEEP

96"H - 6 Shelves

BS1896
BS2496
BS3096
BS3696

93"H - 6 Shelves

BS1893
BS2493
BS3093
BS3693

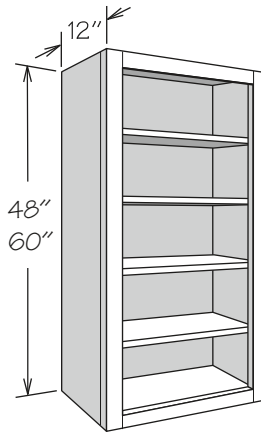
90"H - 6 Shelves

BS1890
BS2490
BS3090
BS3690

84"H - 5 Shelves

BS1884
BS2484
BS3084
BS3684

Wall Bookshelf



60" High Shown

- Interior finished to match cabinet box exterior
- $2\frac{3}{32}$ " adjustable shelves packaged separately

APC
FE
ID
PE
RD

12" DEEP

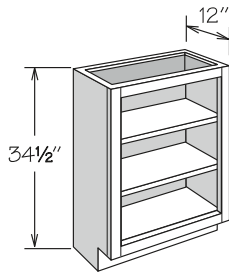
60"H • 4 Shelves

BS1860
BS2460
BS3060
BS3660

48"H • 3 Shelves

BS1848
BS2448
BS3048
BS3648

Base Bookshelf



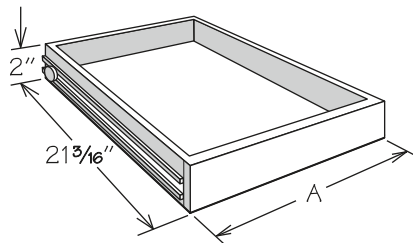
- Interior finished to match cabinet box exterior
- Two adjustable $2\frac{3}{32}$ " shelves packaged separately

APC
FE
ID
PE
RD
RTK
VTK

12" DEEP

BS2434

Sliding Shelf Kit



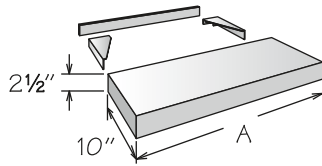
- Field installation accessory
- Engineered wood drawer with solid hardwood front, MDF bottom, and side-mounted drawer glides
- Includes sliding shelf, all glide hardware, and instructions
- SSKs can be used with all single and double door base cabinets
- SSK drill template is required for all double door cabinets that have fixed center stile – contact Partner Team for drill template

CCSS
RD

SLIDING SHELF KIT

SLIDING SHELF KIT	A
SSK12	8½"
SSK15	11½"
SSK18	14½"
SSK21	17½"
SSK24	20½"

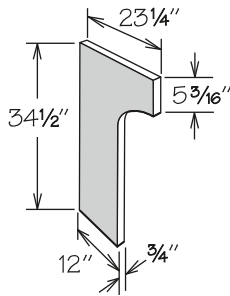
Floating Shelf



- Not trimmable
- Finished on all sides to match cabinet box exterior
- Constructed of engineered wood top and bottom and solid wood front and sides
- When installed between two cabinets, Furniture Ends (FE) or Wall End Panel (WEP) is recommended for adjacent cabinets
- Must be secured to studs in wall
- Installation instructions, mounting brackets, and screws included

10" DEEP	A	MAX. LOAD
FLSH2410	24"	30 lbs.
FLSH3010	30"	37 lbs.
FLSH3610	36"	45 lbs.
FLSH4210	42"	52 lbs.
FLSH4810	48"	60 lbs.

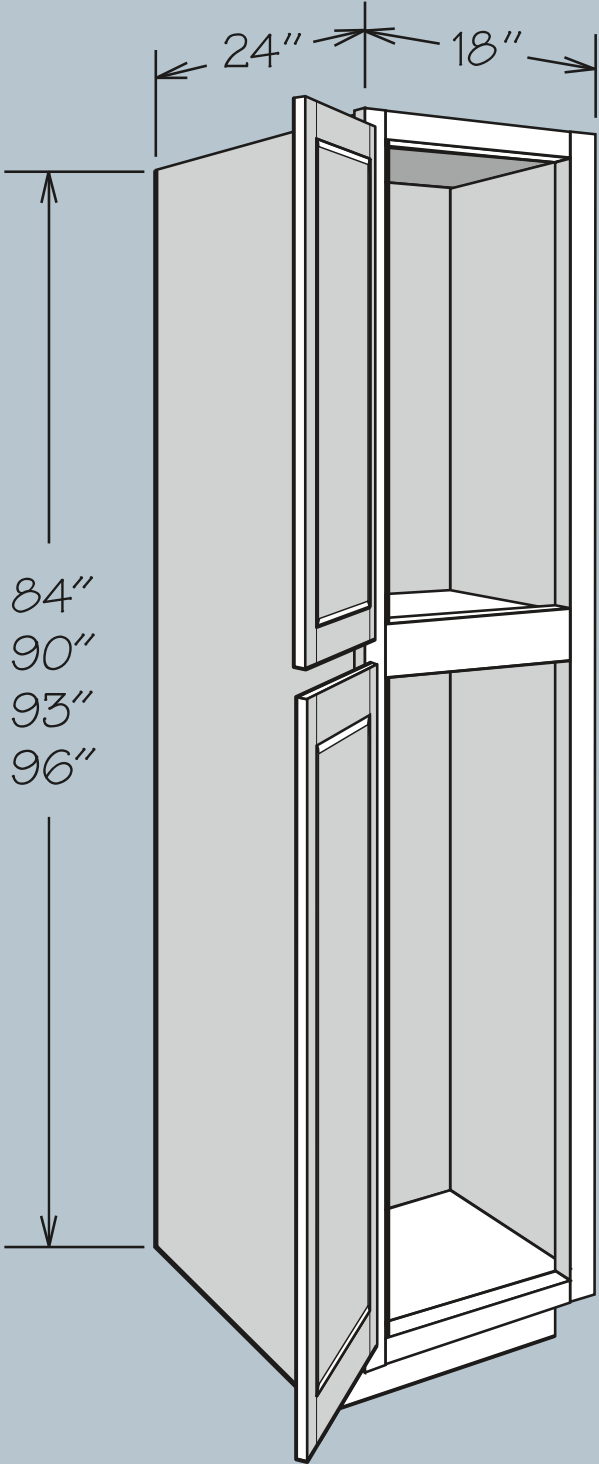
Desk End Panel



- All door styles feature 3/4" veneered engineered wood finished to match cabinet box exterior on both sides
- Recommend QM8 be ordered for installation to ensure proper attachment to wall
- Field trimmable
- Edge banded on front

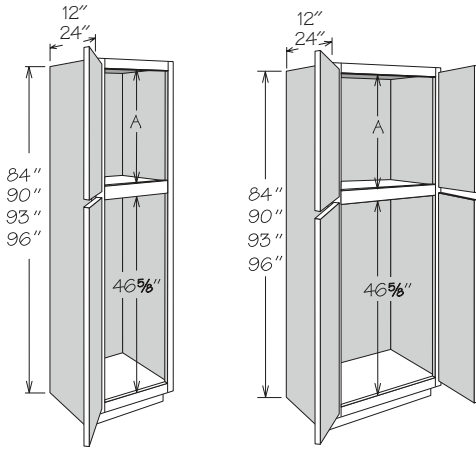
34 1/2" HIGH
DEP

TALL CABINETS



Utility Cabinet

AH
APC
CCH
CFO
FE
MI ■
PE
RD
VTK ◆



2 DOORS

4 BUTT DOORS

84" High Shown

- Shelving and optional interior accessories may be ordered separately (refer to Utility Cabinet Accessories for details)
- Cabinet backs are pre-drilled to accept up to four sliding shelves in lower section
- 4" inset toe kick assembly shipped inside 93" and 96" high cabinet — 33" wide x 93" high toe kicks ship as two pieces - seam will be visible between toe kick box and side of cabinet
- Two door cabinets must be ordered hinged left or right
- Specialty Door cabinets (SD) feature Matching Interior standard and require a specialty door selection
- Bottom doors have a center rail for select door styles - refer to door style section

	A
84" High	26 ⁷ / ₈ "
90" High	32 ⁷ / ₈ "
93" High	35 ⁷ / ₈ "
96" High	38 ⁷ / ₈ "

2 DOORS - 12" DEEP

96" H

- UT1212 X 96 ■
- UT1512 X 96 ■
- UT1812 X 96 ■
- UT2112 X 96 ■
- UT1212 X 96 SD
- UT1512 X 96 SD
- UT1812 X 96 SD
- UT2112 X 96 SD

93" H

- UT1212 X 93 ■
- UT1512 X 93 ■
- UT1812 X 93 ■
- UT2112 X 93 ■
- UT1212 X 93 SD
- UT1512 X 93 SD
- UT1812 X 93 SD
- UT2112 X 93 SD

90" H

- UT1212 X 90 ■ ◆
- UT1512 X 90 ■ ◆
- UT1812 X 90 ■ ◆
- UT2112 X 90 ■ ◆
- UT1212 X 90 SD ◆
- UT1512 X 90 SD ◆
- UT1812 X 90 SD ◆
- UT2112 X 90 SD ◆

84" H

- UT1212 X 84 ■ ◆
- UT1512 X 84 ■ ◆
- UT1812 X 84 ■ ◆
- UT2112 X 84 ■ ◆
- UT1812 X 84 SD ◆
- UT1212 X 84 SD ◆
- UT1512 X 84 SD ◆
- UT2112 X 84 SD ◆

2 DOORS - 24" DEEP

96" H

- UT1224 X 96 ■
- UT1524 X 96 ■
- UT1824 X 96 ■
- UT2124 X 96 ■
- UT1224 X 96 SD
- UT1524 X 96 SD
- UT1824 X 96 SD
- UT2124 X 96 SD

93" H

- UT1224 X 93 ■
- UT1524 X 93 ■
- UT1824 X 93 ■
- UT2124 X 93 ■
- UT1224 X 93 SD
- UT1524 X 93 SD
- UT1824 X 93 SD
- UT2124 X 93 SD

90" H

- UT1224 X 90 ■ ◆
- UT1524 X 90 ■ ◆
- UT1824 X 90 ■ ◆
- UT2124 X 90 ■ ◆
- UT1224 X 90 SD ◆
- UT1524 X 90 SD ◆
- UT1824 X 90 SD ◆
- UT2124 X 90 SD ◆

84" H

- UT1224 X 84 ■ ◆
- UT1524 X 84 ■ ◆
- UT1824 X 84 ■ ◆
- UT2124 X 84 ■ ◆
- UT1224 X 84 SD ◆
- UT1524 X 84 SD ◆
- UT1824 X 84 SD ◆
- UT2124 X 84 SD ◆

4 BUTT DOORS - 12" DEEP

96" H

- UT2412 X 96 BUTT ■
- UT2412 X 96 BUTT SD

93" H

- UT2412 X 93 BUTT ■
- UT2412 X 93 BUTT SD

90" H

- UT2412 X 90 BUTT ■ ◆
- UT2412 X 90 BUTT SD ◆

84" H

- UT2412 X 84 BUTT ■ ◆
- UT2412 X 84 BUTT SD ◆

4 BUTT DOORS - 24" DEEP

96" H

- UT2424 X 96 BUTT ■
- UT2724 X 96 BUTT ■
- UT3024 X 96 BUTT ■
- UT3324 X 96 BUTT ■
- UT3624 X 96 BUTT ■
- UT2424 X 96 BUTT SD
- UT2724 X 96 BUTT SD
- UT3024 X 96 BUTT SD
- UT3324 X 96 BUTT SD
- UT3624 X 96 BUTT SD

93" H

- UT2424 X 93 BUTT ■
- UT2724 X 93 BUTT ■
- UT3024 X 93 BUTT ■
- UT3324 X 93 BUTT ■
- UT3624 X 93 BUTT ■
- UT2424 X 93 BUTT SD
- UT2724 X 93 BUTT SD
- UT3024 X 93 BUTT SD
- UT3324 X 93 BUTT SD
- UT3624 X 93 BUTT SD

90" H

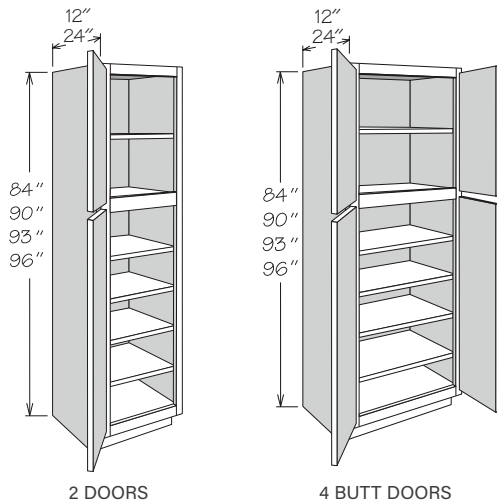
- UT2424 X 90 BUTT ■ ◆
- UT2724 X 90 BUTT ■ ◆
- UT3024 X 90 BUTT ■ ◆
- UT3324 X 90 BUTT ■ ◆
- UT3624 X 90 BUTT ■ ◆
- UT2424 X 90 BUTT SD ◆
- UT2724 X 90 BUTT SD ◆
- UT3024 X 90 BUTT SD ◆
- UT3324 X 90 BUTT SD ◆
- UT3624 X 90 BUTT SD ◆

84" H

- UT2424 X 84 BUTT ■ ◆
- UT2724 X 84 BUTT ■ ◆
- UT3024 X 84 BUTT ■ ◆
- UT3324 X 84 BUTT ■ ◆
- UT3624 X 84 BUTT ■ ◆
- UT2424 X 84 BUTT SD ◆
- UT2724 X 84 BUTT SD ◆
- UT3024 X 84 BUTT SD ◆
- UT3324 X 84 BUTT SD ◆
- UT3624 X 84 BUTT SD ◆

Utility Cabinet • Adjustable Shelves

AH
APC
CCH
FE
MI ■
PE
RD
VTK ◆



84" High Shown

- Full-depth adjustable shelves are ¾" engineered wood and edge banded on front edge only
- Bottom section features four adjustable shelves
- All shelving packaged separately for field installation
- 4" inset toe kick assembly shipped inside 93" and 96" high cabinet — 33" wide x 93" high toe kicks ship as two pieces - seam will be visible between toe kick box and side of cabinet
- Two door cabinets must be ordered hinged left or right
- Specialty Door cabinets (SD) feature Matching Interior standard and require a specialty door selection
- Bottom doors have a center rail for select door styles - refer to door style section

2 DOORS • 12" DEEP

96" H • 3 Top Shelves

UT1212 X 96 AS ■
 UT1512 X 96 AS ■
 UT1812 X 96 AS ■
 UT2112 X 96 AS ■
 UT1212 X 96 AS SD
 UT1512 X 96 AS SD
 UT1812 X 96 AS SD
 UT2112 X 96 AS SD

93" H • 3 Top Shelves

UT1212 X 93 AS ■
 UT1512 X 93 AS ■
 UT1812 X 93 AS ■
 UT2112 X 93 AS ■
 UT1212 X 93 AS SD
 UT1512 X 93 AS SD
 UT1812 X 93 AS SD
 UT2112 X 93 AS SD

2 DOORS • 24" DEEP

96" H • 3 Top Shelves

UT1224 X 96 AS ■
 UT1524 X 96 AS ■
 UT1824 X 96 AS ■
 UT2124 X 96 AS ■
 UT1224 X 96 AS SD
 UT1524 X 96 AS SD
 UT1824 X 96 AS SD
 UT2124 X 96 AS SD

93" H • 3 Top Shelves

UT1224 X 93 AS ■
 UT1524 X 93 AS ■
 UT1824 X 93 AS ■
 UT2124 X 93 AS ■
 UT1224 X 93 AS SD
 UT1524 X 93 AS SD
 UT1824 X 93 AS SD
 UT2124 X 93 AS SD

90" H • 2 Top Shelves

UT1212 X 90 AS ■ ◆
 UT1512 X 90 AS ■ ◆
 UT1812 X 90 AS ■ ◆
 UT2112 X 90 AS ■ ◆
 UT1212 X 90 AS SD ◆
 UT1512 X 90 AS SD ◆
 UT1812 X 90 AS SD ◆
 UT2112 X 90 AS SD ◆

84" H • 1 Top Shelf

UT1212 X 84 AS ■ ◆
 UT1512 X 84 AS ■ ◆
 UT1812 X 84 AS ■ ◆
 UT2112 X 84 AS ■ ◆
 UT1212 X 84 AS SD ◆
 UT1512 X 84 AS SD ◆
 UT1812 X 84 AS SD ◆
 UT2112 X 84 AS SD ◆

90" H • 2 Top Shelves

UT1224 X 90 AS ■ ◆
 UT1524 X 90 AS ■ ◆
 UT1824 X 90 AS ■ ◆
 UT2124 X 90 AS ■ ◆
 UT1224 X 90 AS SD ◆
 UT1524 X 90 AS SD ◆
 UT1824 X 90 AS SD ◆
 UT2124 X 90 AS SD ◆

84" H • 1 Top Shelf

UT1224 X 84 AS ■ ◆
 UT1524 X 84 AS ■ ◆
 UT1824 X 84 AS ■ ◆
 UT2124 X 84 AS ■ ◆
 UT1224 X 84 AS SD ◆
 UT1524 X 84 AS SD ◆
 UT1824 X 84 AS SD ◆
 UT2124 X 84 AS SD ◆

4 BUTT DOORS • 12" DEEP

96" H • 3 Top Shelves

UT2412 X 96 AS BUTT ■
 UT2412 X 96 AS BUTT SD

93" H • 3 Top Shelves

UT2412 X 93 AS BUTT ■
 UT2412 X 93 AS BUTT SD

4 BUTT DOORS • 24" DEEP

96" H • 3 Top Shelves

UT2424 X 96 AS BUTT ■
 UT2724 X 96 AS BUTT ■
 UT3024 X 96 AS BUTT ■
 UT3324 X 96 AS BUTT ■
 UT3624 X 96 AS BUTT ■
 UT2424 X 96 AS BUTT SD
 UT2724 X 96 AS BUTT SD
 UT3024 X 96 AS BUTT SD
 UT3324 X 96 AS BUTT SD
 UT3624 X 96 AS BUTT SD

93" H • 3 Top Shelves

UT2424 X 93 AS BUTT ■
 UT2724 X 93 AS BUTT ■
 UT3024 X 93 AS BUTT ■
 UT3324 X 93 AS BUTT ■
 UT3624 X 93 AS BUTT ■
 UT2424 X 93 AS BUTT SD
 UT2724 X 93 AS BUTT SD
 UT3024 X 93 AS BUTT SD
 UT3324 X 93 AS BUTT SD
 UT3624 X 93 AS BUTT SD

90" H • 2 Top Shelves

UT2412 X 90 AS BUTT ■ ◆
 UT2412 X 90 AS BUTT SD ◆

84" H • 1 Top Shelf

UT2412 X 84 AS BUTT ■ ◆
 UT2412 X 84 AS BUTT SD ◆

90" H • 2 Top Shelves

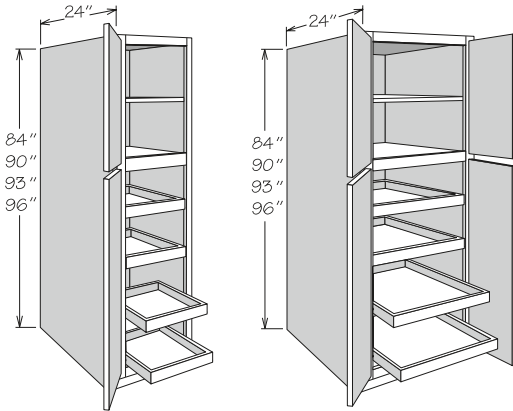
UT2424 X 90 AS BUTT ■ ◆
 UT2724 X 90 AS BUTT ■ ◆
 UT3024 X 90 AS BUTT ■ ◆
 UT3324 X 90 AS BUTT ■ ◆
 UT3624 X 90 AS BUTT ■ ◆
 UT2424 X 90 AS BUTT SD ◆
 UT2724 X 90 AS BUTT SD ◆
 UT3024 X 90 AS BUTT SD ◆
 UT3324 X 90 AS BUTT SD ◆
 UT3624 X 90 AS BUTT SD ◆

84" H • 1 Top Shelf

UT2424 X 84 AS BUTT ■ ◆
 UT2724 X 84 AS BUTT ■ ◆
 UT3024 X 84 AS BUTT ■ ◆
 UT3324 X 84 AS BUTT ■ ◆
 UT3624 X 84 AS BUTT ■ ◆
 UT2424 X 84 AS BUTT SD ◆
 UT2724 X 84 AS BUTT SD ◆
 UT3024 X 84 AS BUTT SD ◆
 UT3324 X 84 AS BUTT SD ◆
 UT3624 X 84 AS BUTT SD ◆

Utility Cabinet • Sliding Shelves

AH
APC
CCH
CCSS
FE
MI ■
PE
RD
VTK ◆



2 DOORS

4 BUTT DOORS

84" High Shown

- Full-depth adjustable shelves are 3/4" engineered wood and edge banded on front edge only
- Bottom section features four sliding shelves
- All shelving and SSK sliding shelves packaged separately for field installation
- 4" inset toe kick assembly shipped inside 93" and 96" high cabinet — 33" wide x 93" high toe kicks ship as two pieces - seam will be visible between toe kick box and side of cabinet
- Engineered wood sliding shelves with solid hardwood front, MDF bottom, and side-mounted drawer glides
- Two door cabinets must be ordered hinged left or right
- Specialty Door cabinets (SD) feature Matching Interior standard and require a specialty door selection
- Bottom doors have a center rail for select door styles - refer to door style section

2 DOORS

96" H • 3 Top Shelves

- UT1224 X 96 4SSK ■
- UT1524 X 96 4SSK ■
- UT1824 X 96 4SSK ■
- UT2124 X 96 4SSK ■
- UT1224 X 96 4SSK SD
- UT1524 X 96 4SSK SD
- UT1824 X 96 4SSK SD
- UT2124 X 96 4SSK SD

93" H • 3 Top Shelves

- UT1224 X 93 4SSK ■
- UT1524 X 93 4SSK ■
- UT1824 X 93 4SSK ■
- UT2124 X 93 4SSK ■
- UT1224 X 93 4SSK SD
- UT1524 X 93 4SSK SD
- UT1824 X 93 4SSK SD
- UT2124 X 93 4SSK SD

90" H • 2 Top Shelves

- UT1224 X 90 4SSK ■ ◆
- UT1524 X 90 4SSK ■ ◆
- UT1824 X 90 4SSK ■ ◆
- UT2124 X 90 4SSK ■ ◆
- UT1224 X 90 4SSK SD ◆
- UT1524 X 90 4SSK SD ◆
- UT1824 X 90 4SSK SD ◆
- UT2124 X 90 4SSK SD ◆

84" H • 1 Top Shelf

- UT1224 X 84 4SSK ■ ◆
- UT1524 X 84 4SSK ■ ◆
- UT1824 X 84 4SSK ■ ◆
- UT2124 X 84 4SSK ■ ◆
- UT1224 X 84 4SSK SD ◆
- UT1524 X 84 4SSK SD ◆
- UT1824 X 84 4SSK SD ◆
- UT2124 X 84 4SSK SD ◆

4 BUTT DOORS

96" H • 3 Top Shelves

- UT2424 X 96 4SSK BUTT ■
- UT2724 X 96 4SSK BUTT ■
- UT3024 X 96 4SSK BUTT ■
- UT3324 X 96 4SSK BUTT ■
- UT3624 X 96 4SSK BUTT ■
- UT2424 X 96 4SSK BUTT SD
- UT2724 X 96 4SSK BUTT SD
- UT3024 X 96 4SSK BUTT SD
- UT3324 X 96 4SSK BUTT SD
- UT3624 X 96 4SSK BUTT SD

93" H • 3 Top Shelves

- UT2424 X 93 4SSK BUTT ■
- UT2724 X 93 4SSK BUTT ■
- UT3024 X 93 4SSK BUTT ■
- UT3324 X 93 4SSK BUTT ■
- UT3624 X 93 4SSK BUTT ■
- UT2424 X 93 4SSK BUTT SD
- UT2724 X 93 4SSK BUTT SD
- UT3024 X 93 4SSK BUTT SD
- UT3324 X 93 4SSK BUTT SD
- UT3624 X 93 4SSK BUTT SD

90" H • 2 Top Shelves

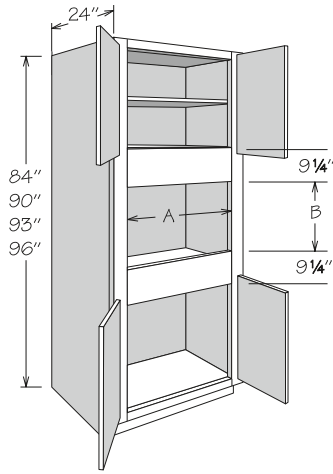
- UT2424 X 90 4SSK BUTT ■ ◆
- UT2724 X 90 4SSK BUTT ■ ◆
- UT3024 X 90 4SSK BUTT ■ ◆
- UT3324 X 90 4SSK BUTT ■ ◆
- UT3624 X 90 4SSK BUTT ■ ◆
- UT2424 X 90 4SSK BUTT SD ◆
- UT2724 X 90 4SSK BUTT SD ◆
- UT3024 X 90 4SSK BUTT SD ◆
- UT3324 X 90 4SSK BUTT SD ◆
- UT3624 X 90 4SSK BUTT SD ◆

84" H • 1 Top Shelf

- UT2424 X 84 4SSK BUTT ■ ◆
- UT2724 X 84 4SSK BUTT ■ ◆
- UT3024 X 84 4SSK BUTT ■ ◆
- UT3324 X 84 4SSK BUTT ■ ◆
- UT3624 X 84 4SSK BUTT ■ ◆
- UT2424 X 84 4SSK BUTT SD ◆
- UT2724 X 84 4SSK BUTT SD ◆
- UT3024 X 84 4SSK BUTT SD ◆
- UT3324 X 84 4SSK BUTT SD ◆
- UT3624 X 84 4SSK BUTT SD ◆

Single Oven Cabinet • 4 Butt Doors

AH
APC
CCH
CFO
FE
PE
RD
VTK ◆



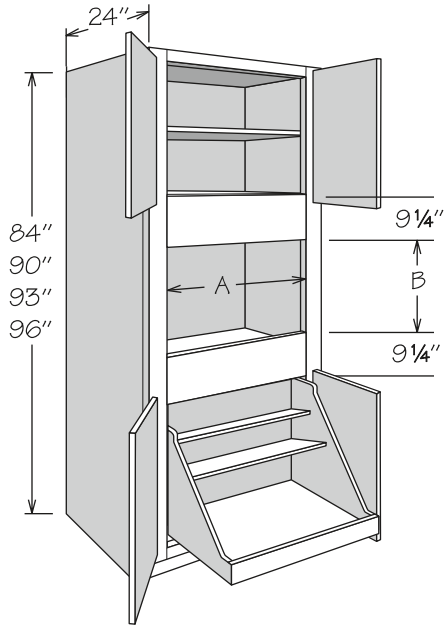
90" High Shown

- Features a solid back
- 3 1/8" stiles
- All door styles feature face-mount hinges
- Full-depth adjustable shelves and 3/4" engineered wood and edge banded on front edge only
- Shelf packaged separately for field installation
- 4" inset toe kick assembly shipped inside 93" and 96" high cabinets — 33" wide x 93" high toe kicks ship as two pieces - seam will be visible between toe kick box and side of cabinet
- Refer to appliance manufacturer's specifications for adequate clearances and required installation materials

	A ACTUAL	A MAX.	B ACTUAL	B MAX.
96"H - 2 Top Shelves				
OVS2796 AS BUTT	20 3/4"	25"	22 1/8"	37 3/8"
OVS3096 AS BUTT	23 3/4"	28"	22 1/8"	37 3/8"
OVS3396 AS BUTT	26 3/4"	31"	22 1/8"	37 3/8"
93"H - 2 Top Shelves				
OVS2793 AS BUTT	20 3/4"	25"	22 1/8"	37 3/8"
OVS3093 AS BUTT	23 3/4"	28"	22 1/8"	37 3/8"
OVS3393 AS BUTT	26 3/4"	31"	22 1/8"	37 3/8"
90"H - 1 Top Shelf				
OVS2790 AS BUTT ◆	20 3/4"	25"	21 3/4"	37"
OVS3090 AS BUTT ◆	23 3/4"	28"	21 3/4"	37"
OVS3390 AS BUTT ◆	26 3/4"	31"	21 3/4"	37"
84"H - No Shelf				
OVS2784 BUTT ◆	20 3/4"	25"	22 1/8"	37 3/8"
OVS3084 BUTT ◆	23 3/4"	28"	22 1/8"	37 3/8"
OVS3384 BUTT ◆	26 3/4"	31"	22 1/8"	37 3/8"

Single Oven Cabinet • 4 Butt Doors and Pot & Pan Organizer

APC
CCH
FE
PE
VTK ◆



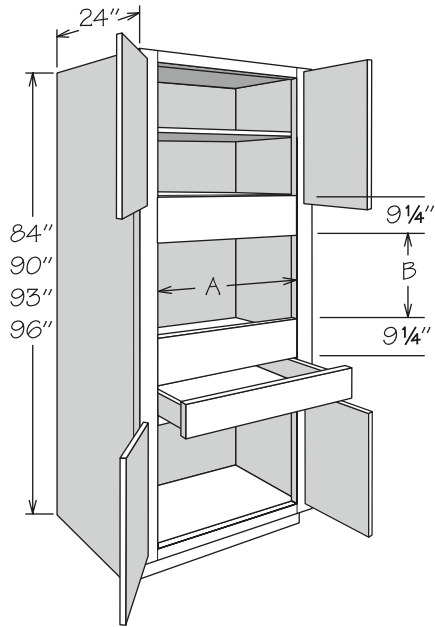
90" High Shown

- Features a solid back
- 3 1/8" stiles
- All doors styles feature face-mount hinges
- Shelving and Pot & Pan Organizer packaged separately for field installation
- Organizer in natural finish solid wood and wood veneer with dovetail (front only) construction and full-extension CushionClose glides
- Organizer top shelf measures 6 3/8" deep
- Organizer middle shelf measures 9 3/4" deep
- 4" inset toe kick assembly shipped inside 93" and 96" high cabinets – 33" wide x 93" high toe kicks ship as two pieces - seam will be visible between toe kick box and side of cabinet
- Refer to appliance manufacturer's specifications for adequate clearances and required installation materials
- Drawer and door accessories (excluding shelves) must be ordered 3" less than oven width due to wide frame stiles

	A ACTUAL	A MAX.	B ACTUAL	B MAX.
96"H - 2 Top Shelves				
OVS2796 BUTT CCBPPO	20 3/4"	25"	22 1/8"	37 3/8"
OVS3096 BUTT CCBPPO	23 3/4"	28"	22 1/8"	37 3/8"
OVS3396 BUTT CCBPPO	26 3/4"	31"	22 1/8"	37 3/8"
93"H - 2 Top Shelves				
OVS2793 BUTT CCBPPO	20 3/4"	25"	22 1/8"	37 3/8"
OVS3093 BUTT CCBPPO	23 3/4"	28"	22 1/8"	37 3/8"
OVS3393 BUTT CCBPPO	26 3/4"	31"	22 1/8"	37 3/8"
90"H - 1 Top Shelf				
OVS2790 BUTT CCBPPO ◆	20 3/4"	25"	21 3/4"	37"
OVS3090 BUTT CCBPPO ◆	23 3/4"	28"	21 3/4"	37"
OVS3390 BUTT CCBPPO ◆	26 3/4"	31"	21 3/4"	37"
84"H - No Shelf				
OVS2784 BUTT CCBPPO ◆	20 3/4"	25"	22 1/8"	37 3/8"
OVS3084 BUTT CCBPPO ◆	23 3/4"	28"	22 1/8"	37 3/8"
OVS3384 BUTT CCBPPO ◆	26 3/4"	31"	22 1/8"	37 3/8"

Single Oven Cabinet • 4 Butt Doors and 1 Drawer

AH
APC
CCH
CCDW
CFO
FE
PE
RD
VTK ♦



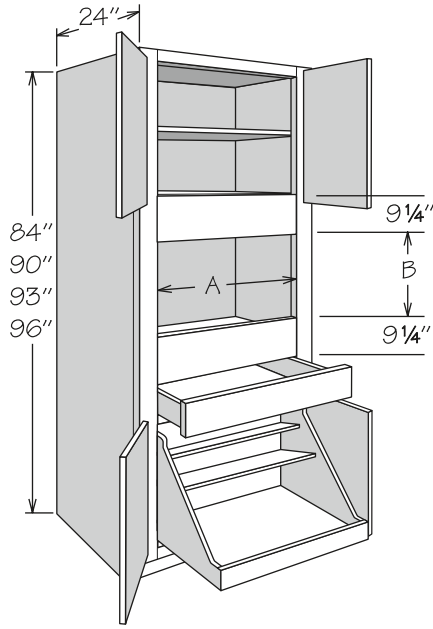
90" High Shown

- Features a solid back
- 3/8" stiles
- All door styles feature face-mount hinges
- One standard drawer
- Full-depth adjustable shelves and 3/4" engineered wood and edge banded on front edge only
- Shelf packaged separately for field installation
- 4" inset toe kick assembly shipped inside 93" and 96" high cabinets — 33" wide x 93" high toe kicks ship as two pieces - seam will be visible between toe kick box and side of cabinet
- Refer to appliance manufacturer's specifications for adequate clearances and required installation materials
- Drawer and door accessories (excluding shelves) must be ordered 3" less than oven width due to wide frame stiles

	A ACTUAL	A MAX.	B ACTUAL	B MAX.
96"H - 2 Top Shelves				
OVS2796 AS BUTT 1DWR	20 3/4"	25"	16 1/8"	31 3/8"
OVS3096 AS BUTT 1DWR	23 3/4"	28"	16 1/8"	31 3/8"
OVS3396 AS BUTT 1DWR	26 3/4"	31"	16 1/8"	31 3/8"
93"H - 2 Top Shelves				
OVS2793 AS BUTT 1DWR	20 3/4"	25"	16 1/8"	31 3/8"
OVS3093 AS BUTT 1DWR	23 3/4"	28"	16 1/8"	31 3/8"
OVS3393 AS BUTT 1DWR	26 3/4"	31"	16 1/8"	31 3/8"
90"H - 1 Top Shelf				
OVS2790 AS BUTT 1DWR ♦	20 3/4"	25"	15 3/4"	31"
OVS3090 AS BUTT 1DWR ♦	23 3/4"	28"	15 3/4"	31"
OVS3390 AS BUTT 1DWR ♦	26 3/4"	31"	15 3/4"	31"
84"H - No Shelf				
OVS2784 BUTT 1DWR ♦	20 3/4"	25"	16 1/8"	31 3/8"
OVS3084 BUTT 1DWR ♦	23 3/4"	28"	16 1/8"	31 3/8"
OVS3384 BUTT 1DWR ♦	26 3/4"	31"	16 1/8"	31 3/8"

Single Oven Cabinet • 4 Butt Doors and 1 Drawer, Pot & Pan Organizer

APC
CCH
CCDW
FE
PE
VTK ◆



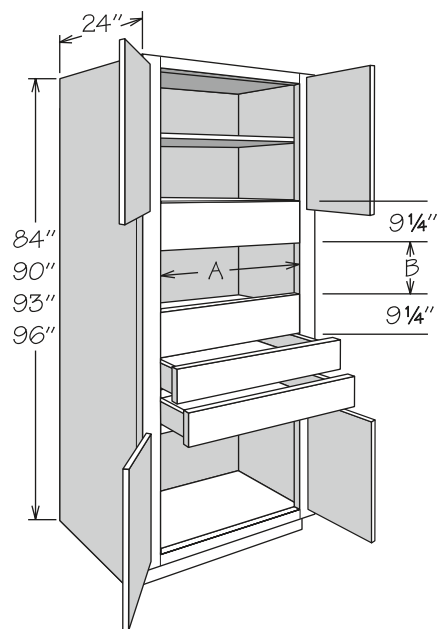
90" High Shown

- Features a solid back
- 3/8" stiles
- All door styles feature face-mount hinges
- Full-depth adjustable shelves and 3/4" engineered wood and edge banded on front edge only
- Shelving and Pot & Pan Organizer packaged separately for field installation
- Organizer in natural finish solid wood and wood veneer with dovetail (front only) construction and full-extension CushionClose glides
- Organizer top shelf measures 6 3/8" deep
- Organizer middle shelf measures 9 3/4" deep
- 4" inset toe kick assembly shipped inside 93" and 96" high cabinets — 33" wide x 93" high toe kicks ship as two pieces - seam will be visible between toe kick box and side of cabinet
- Refer to appliance manufacturer's specifications for adequate clearances and required installation materials
- Drawer and door accessories (excluding shelves) must be ordered 3" less than oven width due to wide frame stiles

	A ACTUAL	A MAX.	B ACTUAL	B MAX.
96"H - 2 Top Shelves				
OVS2796 BUTT 1DWR CCBPPO	20 3/4"	25"	16 1/8"	31 3/8"
OVS3096 BUTT 1DWR CCBPPO	23 3/4"	28"	16 1/8"	31 3/8"
OVS3396 BUTT 1DWR CCBPPO	26 3/4"	31"	16 1/8"	31 3/8"
93"H - 2 Top Shelves				
OVS2793 BUTT 1DWR CCBPPO	20 3/4"	25"	16 1/8"	31 3/8"
OVS3093 BUTT 1DWR CCBPPO	23 3/4"	28"	16 1/8"	31 3/8"
OVS3393 BUTT 1DWR CCBPPO	26 3/4"	31"	16 1/8"	31 3/8"
90"H - 1 Top Shelf				
OVS2790 BUTT 1DWR CCBPPO ◆	20 3/4"	25"	15 3/4"	31"
OVS3090 BUTT 1DWR CCBPPO ◆	23 3/4"	28"	15 3/4"	31"
OVS3390 BUTT 1DWR CCBPPO ◆	26 3/4"	31"	15 3/4"	31"
84"H - No Shelf				
OVS2784 BUTT 1DWR CCBPPO ◆	20 3/4"	25"	16 1/8"	31 3/8"
OVS3084 BUTT 1DWR CCBPPO ◆	23 3/4"	28"	16 1/8"	31 3/8"
OVS3384 BUTT 1DWR CCBPPO ◆	26 3/4"	31"	16 1/8"	31 3/8"

Single Oven Cabinet • 4 Butt Doors and 2 Drawers

AH
APC
CCH
CCDW
CFO
FE
PE
RD
VTK ◆



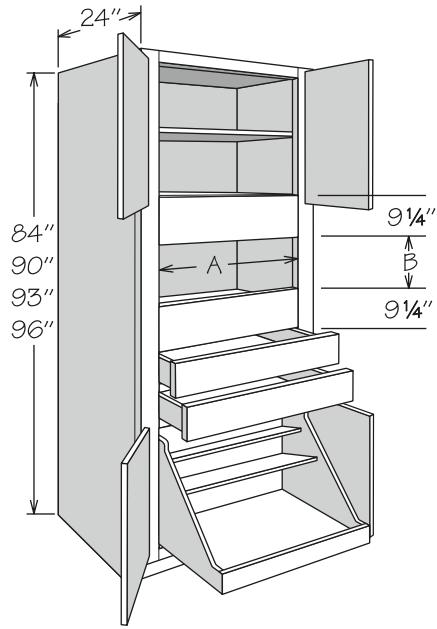
90" High Shown

- Features a solid back
- 3 1/8" stiles
- All door styles feature face-mount hinges
- Two standard drawers
- Full-depth adjustable shelves and 3/4" engineered wood and edge banded on front edge only
- Shelf packaged separately for field installation
- 4" inset toe kick assembly shipped inside 93" and 96" high cabinets — 33" wide x 93" high toe kicks ship as two pieces - seam will be visible between toe kick box and side of cabinet
- Refer to appliance manufacturer's specifications for adequate clearances and required installation materials
- Drawer and door accessories (excluding shelves) must be ordered 3" less than oven width due to wide frame stiles

	A ACTUAL	A MAX.	B ACTUAL	B MAX.
96" H - 2 Top Shelves				
OVS2796 AS BUTT 2DWR	20 3/4"	25"	10 1/8"	25 3/8"
OVS3096 AS BUTT 2DWR	23 3/4"	28"	10 1/8"	25 3/8"
OVS3396 AS BUTT 2DWR	26 3/4"	31"	10 1/8"	25 3/8"
93" H - 2 Top Shelves				
OVS2793 AS BUTT 2DWR	20 3/4"	25"	10 1/8"	25 3/8"
OVS3093 AS BUTT 2DWR	23 3/4"	28"	10 1/8"	25 3/8"
OVS3393 AS BUTT 2DWR	26 3/4"	31"	10 1/8"	25 3/8"
90" H - 1 Top Shelf				
OVS2790 AS BUTT 2DWR ◆	20 3/4"	25"	9 3/4"	25"
OVS3090 AS BUTT 2DWR ◆	23 3/4"	28"	9 3/4"	25"
OVS3390 AS BUTT 2DWR ◆	26 3/4"	31"	9 3/4"	25"
84" H - No Shelf				
OVS2784 BUTT 2DWR ◆	20 3/4"	25"	10 1/8"	25 3/8"
OVS3084 BUTT 2DWR ◆	23 3/4"	28"	10 1/8"	25 3/8"
OVS3384 BUTT 2DWR ◆	26 3/4"	31"	10 1/8"	25 3/8"

Single Oven Cabinet • 4 Butt Doors, 2 Drawers and Pot & Pan Organizer

APC
CCH
CCDW
FE
PE
VTK ◆



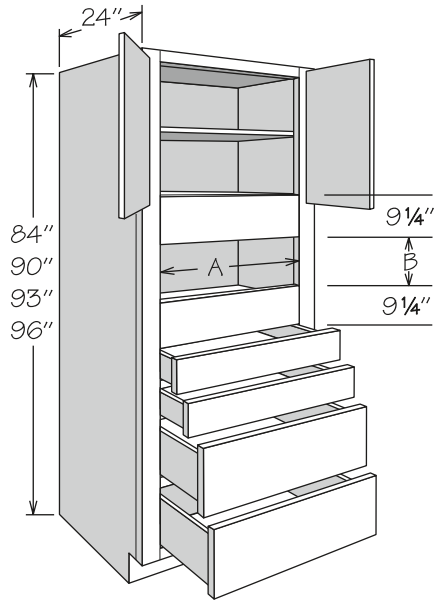
90" High Shown

- Features a solid back
- 3/8" stiles
- All door styles feature face-mount hinges
- Two standard drawers
- Shelving and Pot & Pan Organizer packaged separately for field installation
- Organizer in natural finish solid wood and wood veneer with dovetail (front only) construction and full-extension CushionClose glides
- Organizer top shelf measures 6 3/8" deep
- Organizer middle shelf measures 9 3/4" deep
- Full-depth adjustable shelves and 3/4" engineered wood and edge banded on front edge only
- 4" inset toe kick assembly shipped inside 93" and 96" high cabinets — 33" wide x 93" high toe kicks ship as two pieces - seam will be visible between toe kick box and side of cabinet
- Refer to appliance manufacturer's specifications for adequate clearances and required installation materials
- Drawer and door accessories (excluding shelves) must be ordered 3" less than oven width due to wide frame stiles

	A ACTUAL	A MAX.	B ACTUAL	B MAX.
96"H • 2 Top Shelves				
OVS2796 BUTT 2DWR CCBPPO	20 3/4"	25"	10 1/8"	25 3/8"
OVS3096 BUTT 2DWR CCBPPO	23 3/4"	28"	10 1/8"	25 3/8"
OVS3396 BUTT 2DWR CCBPPO	26 3/4"	31"	10 1/8"	25 3/8"
93"H • 2 Top Shelves				
OVS2793 BUTT 2DWR CCBPPO	20 3/4"	25"	10 1/8"	25 3/8"
OVS3093 BUTT 2DWR CCBPPO	23 3/4"	28"	10 1/8"	25 3/8"
OVS3393 BUTT 2DWR CCBPPO	26 3/4"	31"	10 1/8"	25 3/8"
90"H • 1 Top Shelf				
OVS2790 BUTT 2DWR CCBPPO ◆	20 3/4"	25"	9 3/4"	25"
OVS3090 BUTT 2DWR CCBPPO ◆	23 3/4"	28"	9 3/4"	25"
OVS3390 BUTT 2DWR CCBPPO ◆	26 3/4"	31"	9 3/4"	25"
84"H • No Shelf				
OVS2784 BUTT 2DWR CCBPPO ◆	20 3/4"	25"	10 1/8"	25 3/8"
OVS3084 BUTT 2DWR CCBPPO ◆	23 3/4"	28"	10 1/8"	25 3/8"
OVS3384 BUTT 2DWR CCBPPO ◆	26 3/4"	31"	10 1/8"	25 3/8"

Single Oven Cabinet • 2 Butt Doors and 4 Drawers

AH
APC
CCH
CCDW
CFO
FE
PE
RD
VTK ◆

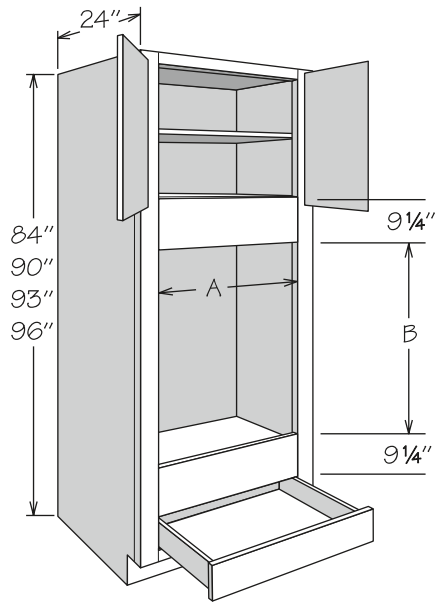


90" High Shown

- Features a solid back
- 3/8" stiles
- All door styles feature face-mount hinges
- Two standard and two large drawers
- Shelf packaged separately for field installation
- Full-depth adjustable shelves and 3/4" engineered wood and edge banded on front edge only
- 4" inset toe kick assembly shipped inside 93" and 96" high cabinets — 33" wide x 93" high toe kicks ship as two pieces - seam will be visible between toe kick box and side of cabinet
- Refer to appliance manufacturer's specifications for adequate clearances and required installation materials
- Drawer and door accessories (excluding shelves) must be ordered 3" less than oven width due to wide frame stiles

	A ACTUAL	A MAX.	B ACTUAL	B MAX.
96"H • 2 Top Shelves				
OVS2796 AS BUTT 4DWR	20 3/4"	25"	10 1/8"	25 3/8"
OVS3096 AS BUTT 4DWR	23 3/4"	28"	10 1/8"	25 3/8"
OVS3396 AS BUTT 4DWR	26 3/4"	31"	10 1/8"	25 3/8"
93"H • 2 Top Shelves				
OVS2793 AS BUTT 4DWR	20 3/4"	25"	10 1/8"	25 3/8"
OVS3093 AS BUTT 4DWR	23 3/4"	28"	10 1/8"	25 3/8"
OVS3393 AS BUTT 4DWR	26 3/4"	31"	10 1/8"	25 3/8"
90"H • 1 Top Shelf				
OVS2790 AS BUTT 4DWR ◆	20 3/4"	25"	9 3/4"	25"
OVS3090 AS BUTT 4DWR ◆	23 3/4"	28"	9 3/4"	25"
OVS3390 AS BUTT 4DWR ◆	26 3/4"	31"	9 3/4"	25"
84"H • No Shelf				
OVS2784 BUTT 4DWR ◆	20 3/4"	25"	10 1/8"	25 3/8"
OVS3084 BUTT 4DWR ◆	23 3/4"	28"	10 1/8"	25 3/8"
OVS3384 BUTT 4DWR ◆	26 3/4"	31"	10 1/8"	25 3/8"

Double Oven Cabinet • 2 Butt Doors and 1 Drawer



90" High Shown

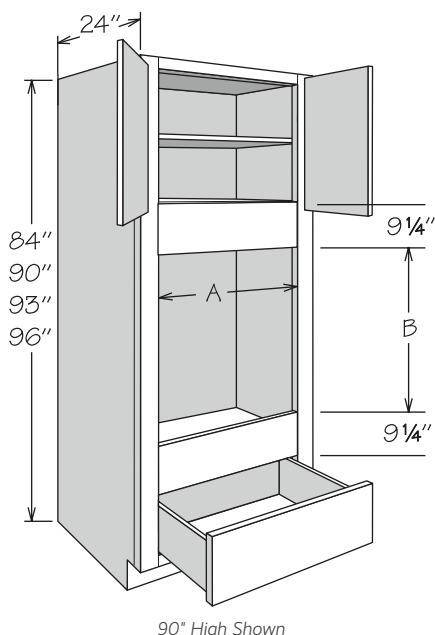
- Features a solid back
- 3/8" stiles
- One standard drawer
- All door styles feature face-mount hinges
- Shelf packaged separately for field installation
- Full-depth adjustable shelves and 3/4" engineered wood and edge banded on front edge only
- 4" inset toe kick assembly shipped inside 93" and 96" high cabinets — 33" wide x 93" high toe kicks ship as two pieces - seam will be visible between toe kick box and side of cabinet
- Refer to appliance manufacturer's specifications for adequate clearances and required installation materials
- Drawer and door accessories (excluding shelves) must be ordered 3" less than oven width due to wide frame stiles

AH
APC
CCDW
CCH
CFO
FE
PE
RD
VTK ◆

	A ACTUAL	A MAX.	B ACTUAL	B MAX.
96"H • 2 Top Shelves				
OVD2796 AS BUTT	20 3/4"	25"	39"	54 1/4"
OVD3096 AS BUTT	23 3/4"	28"	39"	54 1/4"
OVD3396 AS BUTT	26 3/4"	31"	39"	54 1/4"
93"H • 2 Top Shelves				
OVD2793 AS BUTT	20 3/4"	25"	39"	54 1/4"
OVD3093 AS BUTT	23 3/4"	28"	39"	54 1/4"
OVD3393 AS BUTT	26 3/4"	31"	39"	54 1/4"
90"H • 1 Top Shelf				
OVD2790 AS BUTT ◆	20 3/4"	25"	38 5/8"	53 7/8"
OVD3090 AS BUTT ◆	23 3/4"	28"	38 5/8"	53 7/8"
OVD3390 AS BUTT ◆	26 3/4"	31"	38 5/8"	53 7/8"
84"H • No Shelf				
OVD2784 BUTT ◆	20 3/4"	25"	39"	54 1/4"
OVD3084 BUTT ◆	23 3/4"	28"	39"	54 1/4"
OVD3384 BUTT ◆	26 3/4"	31"	39"	54 1/4"

Double Oven Cabinet • 2 Butt Doors and 1 Large Drawer

AH
APC
CCDW
CCH
CFO
FE
PE
RD
VTK ◆

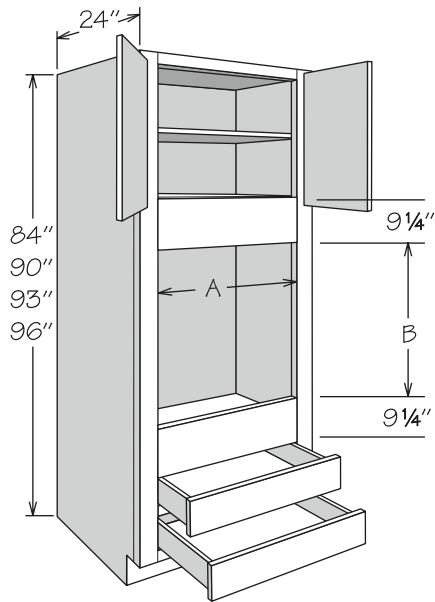


90" High Shown

- Features a solid back
- 3/8" stiles
- All door styles feature face-mount hinges
- One large drawer
- Shelf packaged separately for field installation
- Full-depth adjustable shelves and 3/4" engineered wood and edge banded on front edge only
- 4" inset toe kick assembly shipped inside 93" and 96" high cabinets — 33" wide x 93" high toe kicks ship as two pieces - seam will be visible between toe kick box and side of cabinet
- Refer to appliance manufacturer's specifications for adequate clearances and required installation materials
- Drawer and door accessories (excluding shelves) must be ordered 3" less than oven width due to wide frame stiles

	A ACTUAL	A MAX.	B ACTUAL	B MAX.
96"H • 2 Top Shelves				
OVD2796 AS BUTT 1DDWR	20 3/4"	25"	33 3/16"	48 13/16"
OVD3096 AS BUTT 1DDWR	23 3/4"	28"	33 3/16"	48 13/16"
OVD3396 AS BUTT 1DDWR	26 3/4"	31"	33 3/16"	48 13/16"
93"H • 2 Top Shelves				
OVD2793 AS BUTT 1DDWR	20 3/4"	25"	33 3/16"	48 13/16"
OVD3093 AS BUTT 1DDWR	23 3/4"	28"	33 3/16"	48 13/16"
OVD3393 AS BUTT 1DDWR	26 3/4"	31"	33 3/16"	48 13/16"
90"H • 1 Top Shelf				
OVD2790 AS BUTT 1DDWR ◆	20 3/4"	25"	33 3/16"	48 7/16"
OVD3090 AS BUTT 1DDWR ◆	23 3/4"	28"	33 3/16"	48 7/16"
OVD3390 AS BUTT 1DDWR ◆	26 3/4"	31"	33 3/16"	48 7/16"
84"H • No Shelf				
OVD2784 BUTT 1DDWR ◆	20 3/4"	25"	33 3/16"	48 13/16"
OVD3084 BUTT 1DDWR ◆	23 3/4"	28"	33 3/16"	48 13/16"
OVD3384 BUTT 1DDWR ◆	26 3/4"	31"	33 3/16"	48 13/16"

Double Oven Cabinet • 2 Butt Doors and 2 Drawers



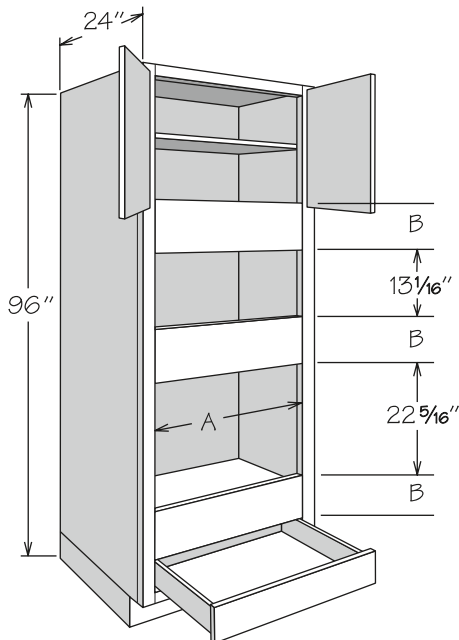
90" High Shown

- Features a solid back
- 3/8" stiles
- All door styles feature face-mount hinges
- Two standard drawers
- Shelf packaged separately for field installation
- Full-depth adjustable shelves and 3/4" engineered wood and edge banded on front edge only
- 4" inset toe kick assembly shipped inside 93" and 96" high cabinets — 33" wide x 93" high toe kicks ship as two pieces - seam will be visible between toe kick box and side of cabinet
- Refer to appliance manufacturer's specifications for adequate clearances and required installation materials
- Drawer and door accessories (excluding shelves) must be ordered 3" less than oven width due to wide frame stiles

APC
CCDW
CCH
CFO
FE
PE
RD
VTK ◆

	A ACTUAL	A MAX.	B ACTUAL	B MAX.
96"H - 2 Top Shelves				
OVD2796 AS BUTT 2DWR	20 3/4"	25"	33"	48 1/4"
OVD3096 AS BUTT 2DWR	23 3/4"	28"	33"	48 1/4"
OVD3396 AS BUTT 2DWR	26 3/4"	31"	33"	48 1/4"
93"H - 2 Top Shelves				
OVD2793 AS BUTT 2DWR	20 3/4"	25"	33"	48 1/4"
OVD3093 AS BUTT 2DWR	23 3/4"	28"	33"	48 1/4"
OVD3393 AS BUTT 2DWR	26 3/4"	31"	33"	48 1/4"
90"H - 1 Top Shelf				
OVD2790 AS BUTT 2DWR ◆	20 3/4"	25"	32 5/8"	47 7/8"
OVD3090 AS BUTT 2DWR ◆	23 3/4"	28"	32 5/8"	47 7/8"
OVD3390 AS BUTT 2DWR ◆	26 3/4"	31"	32 5/8"	47 7/8"
84"H - No Shelf				
OVD2784 BUTT 2DWR ◆	20 3/4"	25"	33"	48 1/4"
OVD3084 BUTT 2DWR ◆	23 3/4"	28"	33"	48 1/4"
OVD3384 BUTT 2DWR ◆	26 3/4"	31"	33"	48 1/4"

Oven Microwave Cabinet • 2 Butt Doors and 1 Drawer

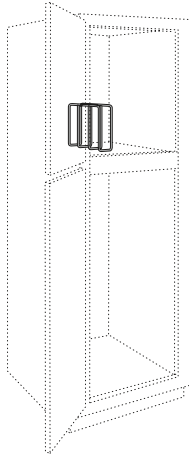


- Features a solid back
- 3/8" stiles
- All doors feature face-mount hinges
- Features one standard drawer
- Shelving packaged separately for field installation
- 4" inset toe-kick assembly shipped as two pieces inside cabinet - seam will be visible between toe kick and side of cabinet
- For use with built-in style microwaves only
- Features one full-depth 3/4" engineered wood shelf edge banded on front edge only (for top section)
- Refer to appliance manufacturer's specifications for adequate clearance and required installation materials
- Drawer and door accessories (excluding shelves) must be ordered 3" less than oven width due to wide frame stiles

AH
APC
CCDW
CCH
CFO
FE
PE
RD

	A ACTUAL	A MAX.	B ACTUAL	B MAX.
96"H - 1 Top Shelf				
OMC3396 AS BUTT	26 3/4"	31"	9 1/4"	2 3/4"

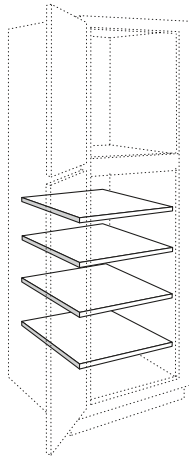
Cabinet Tray Divider



- Field installation accessory
- Chrome finish
- Mounting hardware included
- Overall dimensions: 2 $\frac{7}{8}$ " wide x 9 $\frac{15}{16}$ " high x 11 $\frac{3}{4}$ " deep
- Order Cabinet Tray Dividers individually
- For use in 24" deep cabinets or cabinets with RD-23 through RD-14

TD3

Adjustable Shelves



- Field installation accessory
- $\frac{3}{4}$ " engineered wood
- Edge banded on front edge only
- CLIP LOCK shelf rests included

APC
MI
RD

ADJUSTABLE SHELF

12" Deep

S1212
S1512
S1812
S2112
S2412
S3612

24" Deep

S1224
S1524
S1824
S2124
S2424
S2724
S3024
S3324
S3624

4 PACK SHELF KIT

12" Deep

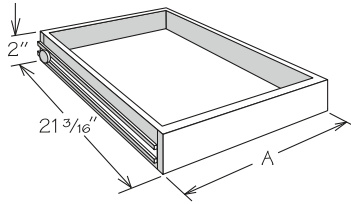
SK1212
SK1512
SK1812
SK2112
SK2412
SK3612

24" Deep

SK1224
SK1524
SK1824
SK2124
SK2424
SK2724
SK3024
SK3324
SK3624

Sliding Shelves and Sliding Shelf Kits

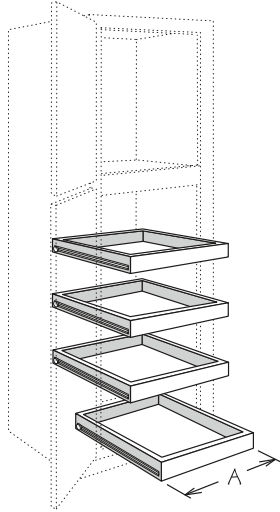
CCSS
RD



- Field installation accessory
- Engineered wood drawer with solid hardwood front, MDF bottom, and side-mounted drawer glides
- Includes sliding shelf, all glide hardware, and instructions

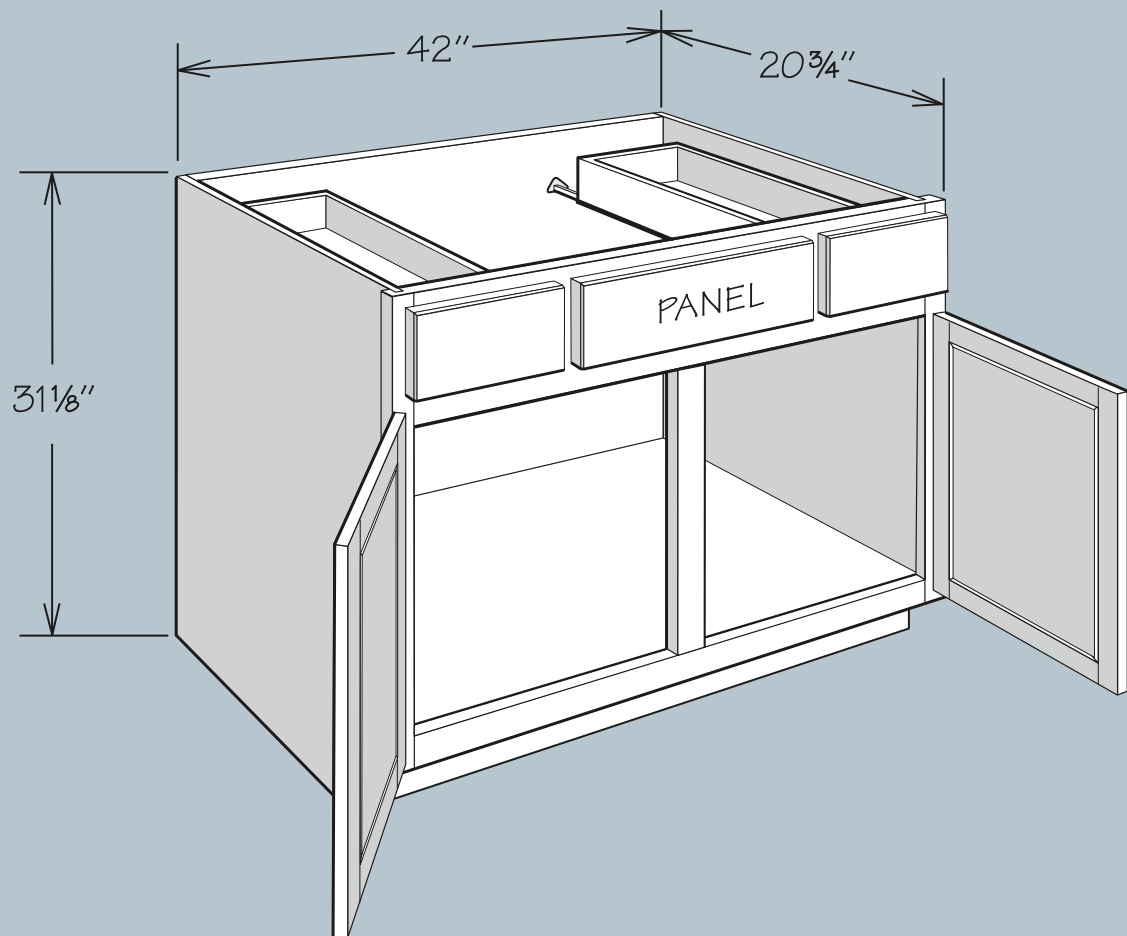
OVEN SIZE

SSK24	OVS27
SSK27	OVS30
SSK30	OVS33

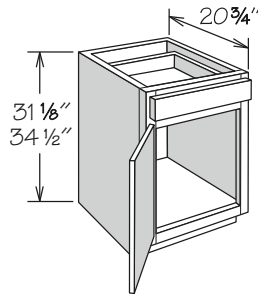


SLIDING SHELF KIT	4 PACK SLIDING SHELF KIT	A
SSK12	USS12-4K	8 1/2"
SSK15	USS15-4K	11 1/2"
SSK18	USS18-4K	14 1/2"
SSK21	USS21-4K	17 1/2"
SSK24	USS24-4K	20 1/2"
SSK27	USS27-4K	23 1/2"
SSK30	USS30-4K	26 1/2"
SSK33	USS33-4K	29 1/2"
SSK36	USS36-4K	32 1/2"

VANITY CABINETS



Vanity Base • 1 Door



- No shelf
- Not drilled for adjustable shelf
- Door is hinged left and can be reversed in the field

AH ■
APC
CCH
CCDW
CFO
FE
PE
RD
RTK
VTK

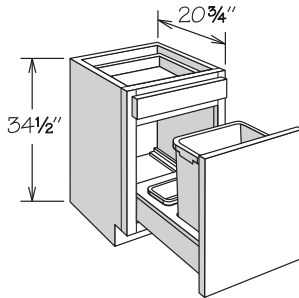
34 1/2" HIGH

VB1234H ■
 VB1534H ■
 VB1834H ■
 VB2134H ■

31 1/8" HIGH

VB12
 VB15
 VB18
 VB21

Vanity Base Cabinet • 1 Drawer and 1 Door with Wastebasket Pull-Out



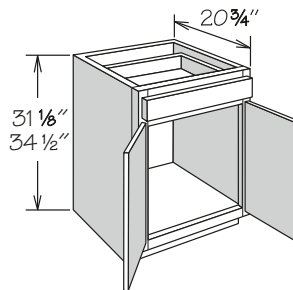
- Wastebasket pull-out features heavy-duty CushionClose full-extension glides (100 pound rated)
- Wastebasket rests in a natural finish wood frame
- Features one silver plastic 35-quart capacity bin and bag storage tray at rear (not dishwasher safe)
- Decorative hardware strongly recommended

AH
APC
FE
PE
RTK
VTK

34 1/2" HIGH

VWBB1834H

Vanity Base • 2 Butt Doors and 1 Drawer



- No shelf
- Not drilled for adjustable shelf

AH ■
APC
CCH
CCDW
CFO
FE
PE
RD
RTK
VTK

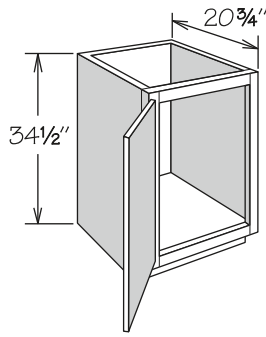
34 1/2" HIGH

VB2434H BUTT ■
 VB2734H BUTT ■
 VB3034H BUTT ■
 VB3334H BUTT ■
 VB3634H BUTT ■

31 1/8" HIGH

VB24 BUTT
 VB27 BUTT
 VB30 BUTT
 VB33 BUTT
 VB36 BUTT

Vanity Full-Height Base • 1 Door



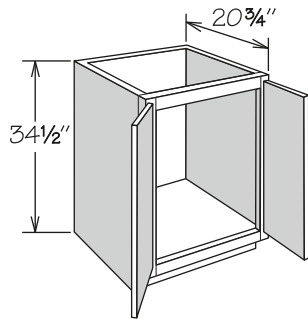
- Full-height door
- No shelf
- Not drilled for adjustable shelf
- Door is hinged left and can be reversed in the field

AH
APC
CCH
CFO
FE
PE
RD
RTK
VTK

34 1/2" HIGH

VB1234H FH
VB1534H FH
VB1834H FH
VB2134H FH

Vanity Full-Height Base • 2 Butt Doors



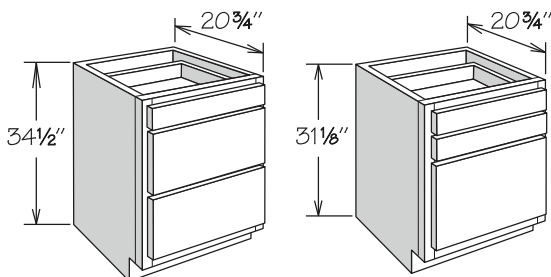
- Full-height doors
- No shelf
- Not drilled for adjustable shelf

AH
APC
CCH
CFO
FE
PE
RD
RTK
VTK

34 1/2" HIGH

VB2434H BUTT FH
VB3034H BUTT FH
VB3634H BUTT FH

Vanity Drawer Base



- VDB_34H features one standard and two large drawers
- VDB_ features one large and two standard drawers

AH ■
APC
CCDW
CFO
FE
PE
RD
RTK
VTK

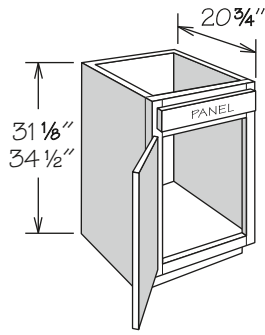
34 1/2" HIGH

VDB1234H ■
VDB1534H ■
VDB1834H ■
VDB2134H ■
VDB2434H ■

31 1/8" HIGH

VDB12
VDB15
VDB18
VDB21
VDB24

Vanity Sink Base • 1 Door



- No shelf
- Subtract 1/2" from depth and width for available sink bowl opening - removal of corner blocks may be required
- Door is hinged left and can be reversed in the field

AH ■
APC
CCH
CFO
FE
PE
RD
RTK
VTK

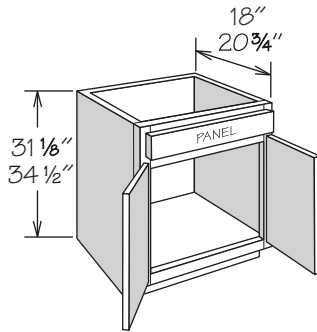
34 1/2" HIGH

- VSB1534H ■
- VSB1834H ■
- VSB2134H ■

31 1/8" HIGH

- VSB15
- VSB18
- VSB21

Vanity Sink Base • 2 Butt Doors



- No shelf
- Subtract 1/2" from depth and width for available sink bowl opening - removal of corner blocks may be required

AH ■
APC
CCH
CFO
FE
PE
RD
RTK
VTK

34 1/2" HIGH

20 3/4" Deep

- VSB2434H BUTT ■
- VSB2734H BUTT ■
- VSB3034H BUTT ■
- VSB3334H BUTT ■
- VSB3634H BUTT ■

18" Deep

- VSB241834H BUTT
- VSB301834H BUTT
- VSB361834H BUTT

31 1/8" HIGH

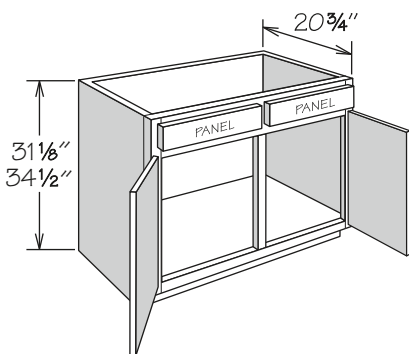
20 3/4" Deep

- VSB24 BUTT
- VSB27 BUTT
- VSB30 BUTT
- VSB33 BUTT
- VSB36 BUTT

18" Deep

- VSB2418 BUTT
- VSB3018 BUTT
- VSB3618 BUTT

Vanity Sink Base • 2 Doors



- No shelf
- Subtract 1/2" from depth and width for available sink bowl opening - removal of corner blocks may be required

AH ■
APC
CCH
CFO
FE
PE
RD
RTK
VTK

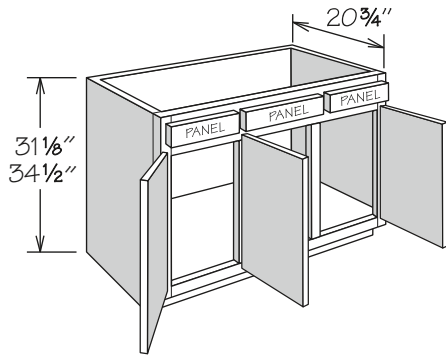
34 1/2" HIGH

- VSB3934H ■
- VSB4234H ■

31 1/8" HIGH

- VSB39
- VSB42

Vanity Sink Base • 3 Doors



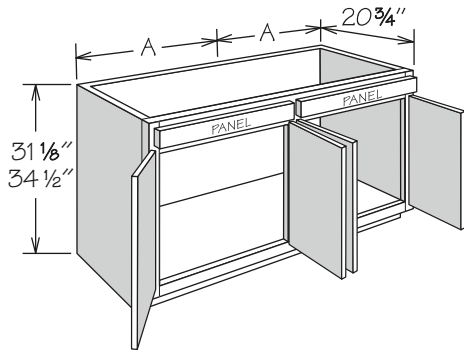
- No shelf
- Subtract 1/2" from depth and width for available sink bowl opening - removal of corner blocks may be required
- Hinged as shown - can be reversed in the field

AH ■
APC
CCH
CFO
FE
PE
RD
RTK
VTK

34 1/2" HIGH
VSB4834H ■

31 1/8" HIGH
VSB48

Vanity Sink Base • 4 Butt Doors



- No shelf
- Subtract 1/2" from depth and each dimension A for available sink bowl openings - removal of corner blocks may be required

AH ■
APC
CCH
CFO
FE
PE
RD
RTK
VTK

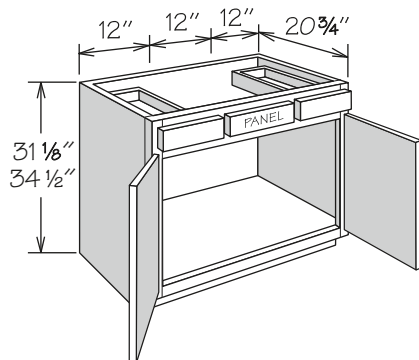
34 1/2" HIGH
VSB5434H BUTT ■
VSB6034H BUTT ■

A
27"
30"

31 1/8" HIGH
VSB54 BUTT
VSB60 BUTT

A
27"
30"

Vanity Sink Base • 2 Butt Doors and 2 Drawers



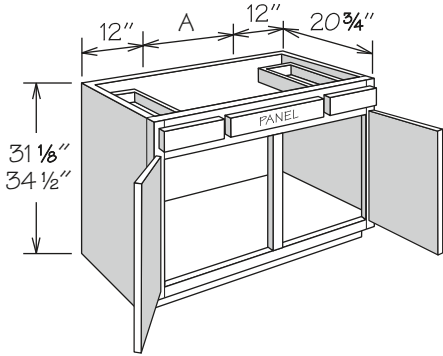
- No shelf
- Top drawer on each side of sink bowl opening
- Subtract 1/2" from depth for available sink bowl opening
- Features two DRB9_ to accommodate sink bowl opening up to 18"

AH ■
APC
CCH
CCDW
CFO
FE
PE
RD
RTK
VTK

34 1/2" HIGH
VAN3634H BUTT ■

31 1/8" HIGH
VAN36 BUTT

Vanity Sink Base • 2 Doors and 2 Drawers

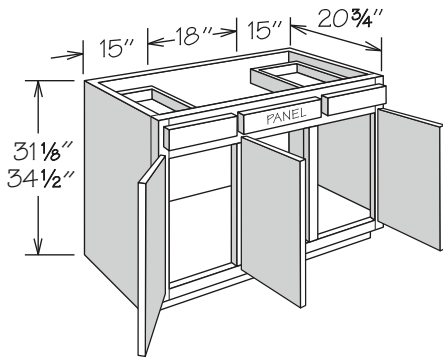


- No shelf
- Top drawer on each side of sink bowl opening
- Subtract 1/2" from depth for available sink bowl opening

AH ■
APC
CCH
CCDW
CFO
FE
PE
RD
RTK
VTK

34 1/2" HIGH	A	MAX. SINK OPENING	31 1/8" HIGH	A	MAX. SINK OPENING
VAN3934H ■	15"	18"	VAN39	15"	18"
VAN4234H ■	18"	21"	VAN42	18"	21"

Vanity Sink Base • 3 Doors and 2 Drawers

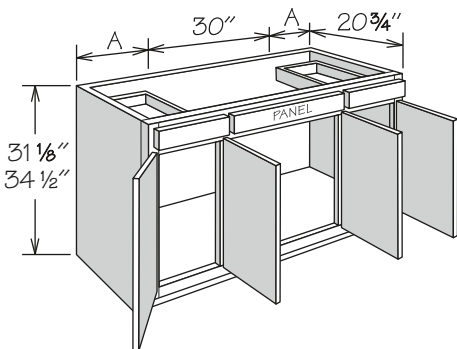


- No shelf
- Top drawer on each side of sink bowl opening
- Subtract 1/2" from depth for available sink bowl opening
- Hinged as shown - can be reversed in the field
- Maximum sink bowl opening is 21" wide

AH ■
APC
CCH
CCDW
CFO
FE
PE
RD
RTK
VTK

34 1/2" HIGH		31 1/8" HIGH
VAN4834H ■		VAN48

Vanity Sink Base • 4 Butt Doors and 2 Drawers

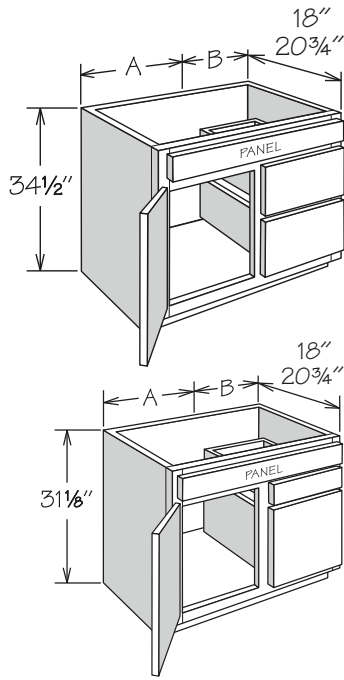


- No shelf
- Top drawer on each side of sink bowl opening
- Subtract 1/2" from depth for available sink bowl opening
- Maximum sink bowl opening is 33" wide

AH ■
APC
CCH
CCDW
CFO
FE
PE
RD
RTK
VTK

34 1/2" HIGH	A	31 1/8" HIGH	A
VAN5434H BK BUTT ■	12"	VAN54 BK BUTT	12"
VAN6034H BK BUTT ■	15"	VAN60 BK BUTT	15"

Vanity Combo Sink Base • 1 Door and 2 Drawers

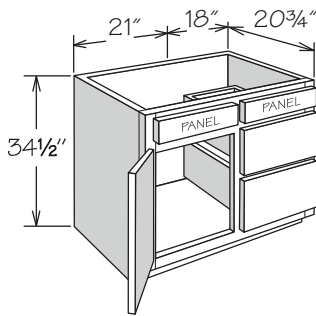


- No shelf
- Allow for plumbing placement to clear drawers
- Drawers available on right or left side (please specify)
- Cabinet shown is right indicating drawers on the right side of the cabinet
- Subtract 1/2" from depth and overall cabinet width for available sink bowl opening - removal of corner blocks may be required

AH ■
APC
CCH
CCDW
CFO
FE
PE
RD
RTK
VTK

34 1/2" HIGH	A	B	31 1/8" HIGH	A	B
20 3/4" Deep			20 3/4" Deep		
VSDB2434H BK ■	12"	12"	VSDB24 BK	12"	12"
VSDB2734H BK ■	15"	12"	VSDB27 BK	15"	12"
VSDB3034H BK ■	18"	12"	VSDB30 BK	18"	12"
VSDB3334H BK ■	21"	12"	VSDB33 BK	21"	12"
VSDB3634H BK ■	21"	15"	VSDB36 BK	21"	15"
18" Deep			18" Deep		
VSDB241834H BK	12"	12"	VSDB2418 BK	12"	12"
VSDB271834H BK	15"	12"	VSDB2718 BK	15"	12"
VSDB301834H BK	18"	12"	VSDB3018 BK	18"	12"
VSDB331834H BK	21"	12"	VSDB3318 BK	21"	12"
VSDB361834H BK	21"	15"	VSDB3618 BK	21"	15"

Vanity Combo Sink Base • 1 Door and 2 Drawers

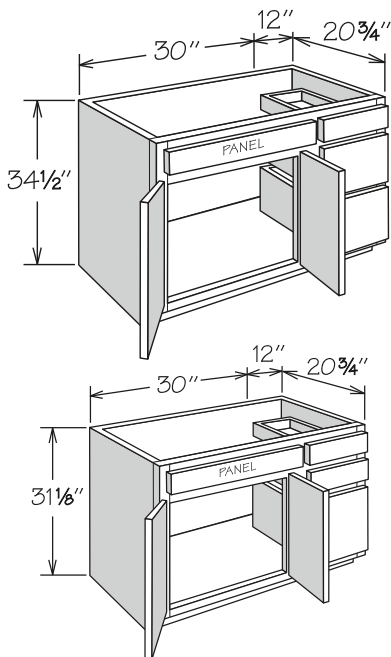


- No shelf
- Allow for plumbing placement to clear drawers
- Drawers available on right or left side (please specify)
- Cabinet shown is right indicating drawers on the right side of the cabinet
- Subtract 1/2" from depth and overall cabinet width for available sink bowl opening - removal of corner blocks may be required

AH ■
APC
CCH
CCDW
CFO
FE
PE
RD
RTK
VTK

34 1/2" HIGH
VSDB3934H BK

Vanity Combo Sink Base • 2 Butt Doors and 3 Drawers



- No shelf
- Drawers available on right or left side (please specify)
- Cabinet shown is right indicating drawers on the right side of the cabinet
- Maximum sink bowl opening is 28 1/2" wide
- Requires off center sink bowl opening

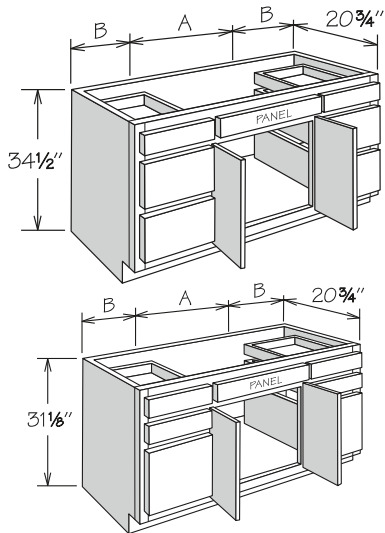
AH ■
APC
CCH
CCDW
CFO
FE
PE
RD
RTK
VTK

34 1/2" HIGH
VSDB4234H BK BUTT ■

31 1/8" HIGH
VSDB42 BK BUTT

Vanity Combo Sink Base • 2 Butt Doors and 6 Drawers

AH ■
APC
CCH
CCDW
CFO
FE
PE
RD
RTK
VTK

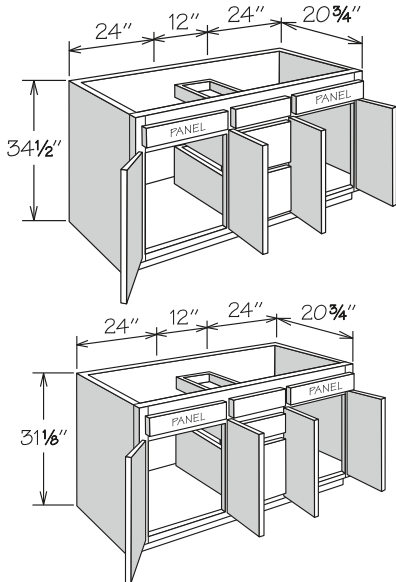


- No shelf
- Subtract 1/2" from depth and dimension A for available sink bowl opening

34 1/2" HIGH	A	B	31 1/8" HIGH	A	B
VSDB4834HD BK BUTT ■	24"	12"	VSDB48D BK BUTT	24"	12"
VSDB5434HD BK BUTT ■	24"	15"	VSDB54D BK BUTT	24"	15"
VSDB6034HD BK BUTT ■	30"	15"	VSDB60D BK BUTT	30"	15"

Vanity Combo Sink Base • 4 Butt Doors and 3 Drawers

AH ■
APC
CCH
CCDW
CFO
FE
PE
RD
RTK
VTK

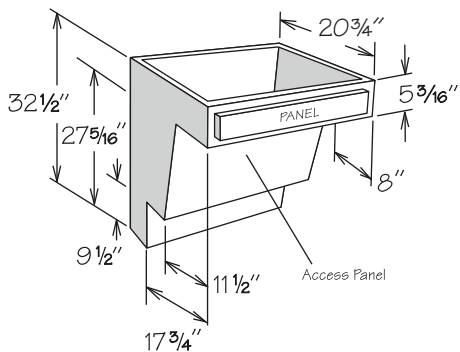


- No shelf
- Subtract 1/2" from depth and each 24" dimension for available sink bowl openings - removal of corner blocks may be required

34 1/2" HIGH	31 1/8" HIGH
VSDB6034HC BK BUTT ■	VSDB60C BK BUTT

Vanity Sink Base • Vanity Plumbing Skirt

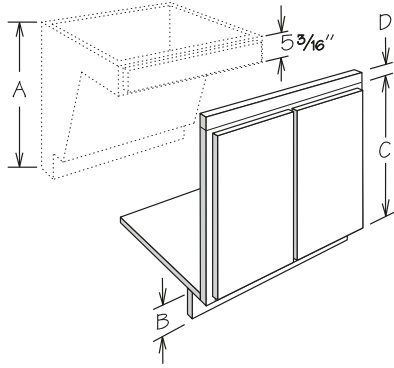
APC
FE



- Features kneehole drawer front - refer to door style section
- Features plywood sides standard
- Removable front access panel attached with 4 sets of DDF Fasteners (DDF FASTENER qty 2)
- Subtract 1/2" from width and depth for available sink bowl opening
- Maximum available height inside cabinet for sink bowl is 5"
- Water lines, drains, and P-Trap must be installed at 6" maximum from wall
- Refer to sink manufacturer's specifications for adequate clearance and required installation materials
- Matching toe kick included
- Must be installed between two cabinets or a cabinet and a wall
- May be used with Vanity Adaptable Sink Base Kit (ASB) - Ordered separately

32 1/2" HIGH
VPS30 UD
VPS36 UD

Vanity • Adaptable Sink Base



- For use with Vanity Plumbing Skirt (VPS) - MUST be ordered separately
- Kit contains:
 - » Face frame with hinged butt doors
 - » One Tall Filler (S3S396)
 - » Four sets of Drawer Front Fasteners (DDF FASTENER qty 2)
 - » One Sink Floor (FL36)
 - » One Hardwood Cleat (HWC 2X4X96)
 - » Installation instructions
- Features CushionClose hinges standard for all door styles
- Kit must be assembled in the field

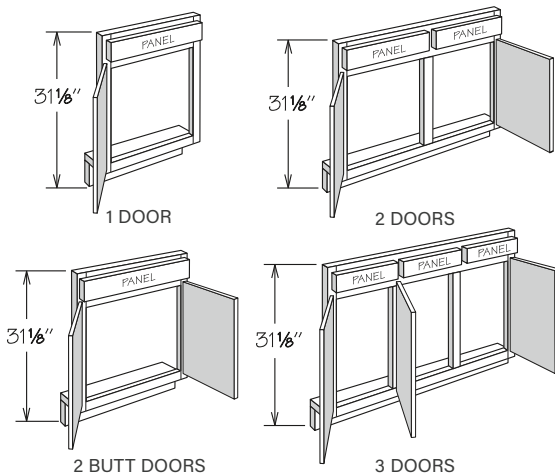
A VPS	B DESIRED TOE KICK HEIGHT	C FACE FRAME HEIGHT	D S3S TRIMMED	KIT
32 1/2"	2"	24 1/2"	13/16"	ASB_34 KIT
32 1/2"	4"	20 5/8"	2 1/16"	ASB_32 KIT

20 5/8" Frame
ASB3032 KIT
ASB3632 KIT

24 1/2" Frame
ASB3034 KIT
ASB3634 KIT

Vanity Sink Front

CCH



- Not trimmable
- Order floor and returns separately (field trimming may be required) – refer to Panel Section for availability (page 187)
- VSF48 hinged as shown, can be reversed in field

31 1/8" HIGH

1 Door

VSF21

2 Butt Doors

VSF24 BUTT
VSF30 BUTT
VSF36 BUTT

2 Doors

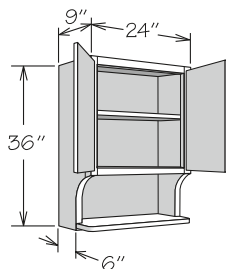
VSF39
VSF42

3 Doors

VSF48

Valet Cabinet • 2 Butt Doors

CCH

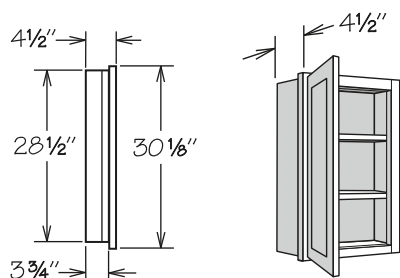


- Matching interior standard
- Flush sides with no face frame or 1/4" reveals
- Bottom opening: 22 1/2" x 10 7/8"
- Features a fixed shelf
- Sides and bottom shelf feature 3/4" engineered wood veneered on both sides

36" HIGH

VC2436 BUTT

Medicine Cabinet • 1 Door



- Two adjustable engineered wood shelves
- Surface or recess mount
- MCM1530 features a mirrored door
- For surface mount installation of wood door styles, trim and apply WEP30 (order separately) to match finish on exterior sides to cabinet frame
- Painted Pewter, and Duraform/Painted Linen door styles feature Matching Interior standard

28 1/2" HIGH

MC1530
MCM1530

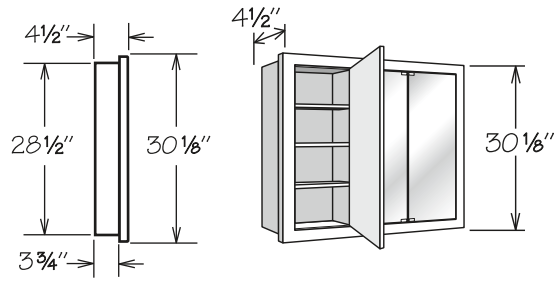
RECESS MOUNT CUTOUT WIDTH

14 1/2"
14 1/2"

RECESS MOUNT CUTOUT HEIGHT

28 1/2"
28 1/2"

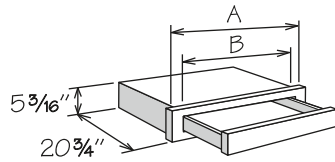
Tri-View Mirror • 3 Doors NEW! PRODUCT



- **UPDATE:** Now features shaker frame detail
- All three mirrored doors swing open for easy access to the six adjustable shelves
- Surface or recess mount
- For surface mount installation of wood door styles, trim and apply WEP30 (order separately) to match finish on exterior sides to cabinet frame
- Chrome hardware
- Painted Pewter, and Duraform/Painted Linen door styles feature Matching Interior standard

	OVERALL WIDTH	OVERALL HEIGHT	RECESS MOUNT CUTOUT WIDTH	RECESS MOUNT CUTOUT HEIGHT
TV3030	30"	30 1/8"	28 1/2"	28 1/2"
TV3630	36"	30 1/8"	34 1/2"	28 1/2"

Kneehole Drawer Cabinet

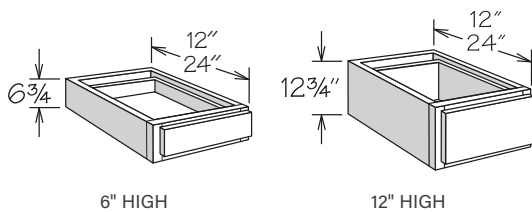


- Designed for desk or vanity application
- Field trimmable in height to 4 3/4"
- Field trimmable in depth to 18" or available with RD-20 through RD-12
- Drawer front complements door style - refer to door style section

CCDW
RD

	A	B	MAX. TRIM
KDC27/21	27"	17 3/4"	21" (3" each side)
KDC33/27	33"	23 3/4"	27" (3" each side)
KDC36/33	36"	29 3/4"	33" (1 1/2" each side)

Furniture Drawer Cabinet • 1 Drawer



- 6" high features one standard drawer and 12" high features one large drawer
- 24" deep Furniture Drawer cabinets are only available with RD-23 through RD-13
- Bottom of cabinet frame must be fully supported

APC
CCDW
CFO
FE
PE
RD ■

6" HIGH • 1 DRAWER

12" Deep

FD121206
FD151206
FD181206
FD211206
FD241206
FD271206
FD301206
FD331206
FD361206

24" Deep

FD122406 ■
FD152406 ■
FD182406 ■
FD212406 ■
FD242406 ■
FD272406 ■
FD302406 ■
FD332406 ■
FD362406 ■

12" HIGH • 1 DRAWER

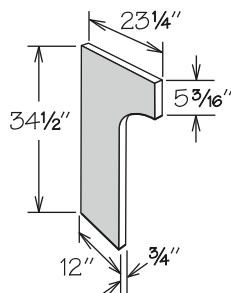
12" Deep

FD121212
FD151212
FD181212
FD211212
FD241212
FD271212
FD301212
FD331212
FD361212

24" Deep

FD122412 ■
FD152412 ■
FD182412 ■
FD212412 ■
FD242412 ■
FD272412 ■
FD302412 ■
FD332412 ■
FD362412 ■

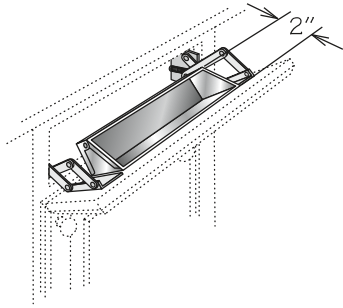
Desk End Panel



- All door styles feature 3/4" veneered engineered wood finished to match cabinet box exterior on both sides
- Recommend QM8 be ordered for installation to ensure proper attachment to wall
- Field trimmable
- Edge banded on front

34 1/2" HIGH
DEP

Tilt-Out Tray Kit

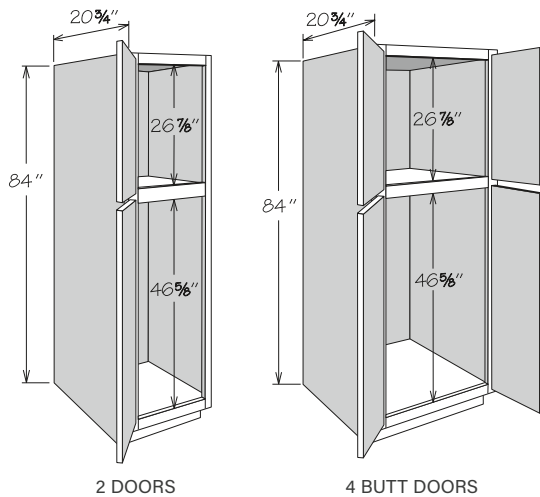


- Field installation accessory
- Kit features tray and one pair of scissor hinges
- For use on existing drawer panels
- **Order one STO TRAY 11 for:**
 - » VSB18 or VSB48 (center only)
 - » VAN48
 - » VSDB30 (above door only)
- **Order one STO TRAY 14 for:**
 - » VSB21, VSB24 or VSB27
 - » VSDB24, VSDB27, VSDB33, VSDB36 or VSDB39 (above door only)
 - » VSDB48D or VSDB54D
- **Order two STO TRAY 14 for:**
 - » VSB42 or VSB54
 - » VSDB60C
- **Order one STO TRAY 22 for:**
 - » VSB30, VSB33 or VSB36
 - » VAN54 or VAN60
 - » VSDB42
 - » VSDB60D
- **Order two STO TRAY 22 for:**
 - » VSB60
- Sink front, base height, and 18" deep units match vanity sink base sizes as noted above
- Tilt-Out Trays are NOT dishwasher safe

STAINLESS

STO TRAY 11
STO TRAY 14
STO TRAY 22

Vanity Linen Cabinet



2 DOORS

4 BUTT DOORS

- Shelving and optional interior accessories may be ordered separately (refer to vanity linen cabinet accessories for details)
- Cabinet backs are pre-drilled to accept up to four sliding shelves in lower section
- Two door cabinets must be ordered hinged left or right
- Specialty Door cabinets (SD) feature Matching Interior standard and require a specialty door selection
- Bottom doors have a center rail for select door styles - refer to door style section

APC
CCH
CFO
FE
MI ■
PE
RD

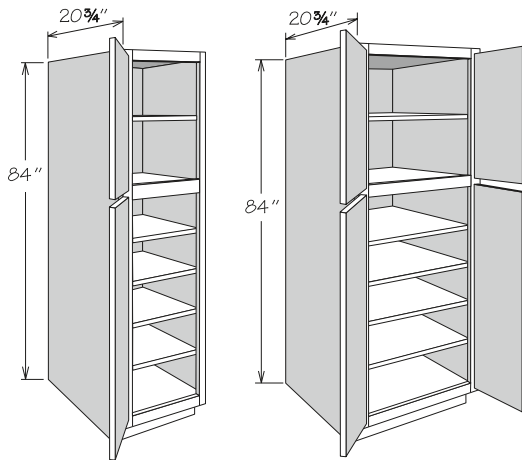
2 DOORS

VLC122184 ■
VLC152184 ■
VLC182184 ■
VLC122184 SD
VLC152184 SD
VLC182184 SD

4 BUTT DOORS

VLC242184 BUTT ■
VLC242184 BUTT SD

Vanity Linen Cabinet • with Adjustable Shelves



2 DOORS

4 BUTT DOORS

- Features one full-depth adjustable shelf in top section and four full-depth adjustable shelves in lower section
- Full-depth adjustable shelves are 3/4" engineered wood and edge banded on front edge only
- All shelving packaged separately
- Two door cabinets must be ordered hinged left or right
- Specialty Door cabinets (SD) feature Matching Interior standard and require a specialty door selection
- Bottom doors have a center rail for select door styles - refer to door style section

APC
CCH
FE
MI ■
PE
RD

2 DOORS

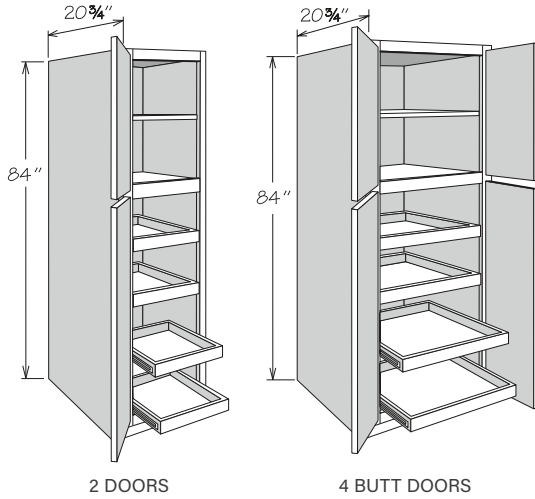
VLC122184 AS ■
VLC152184 AS ■
VLC182184 AS ■
VLC122184 AS SD
VLC152184 AS SD
VLC182184 AS SD

4 BUTT DOORS

VLC242184 AS BUTT ■
VLC242184 AS BUTT SD

Vanity Linen Cabinet • with Sliding Shelves

APC
CCH
CCSS
FE
MI
PE
RD



- Features one full-depth adjustable shelf in top section and four sliding shelves in lower section
- Full-depth adjustable shelf is 3/4" engineered wood and edge banded on front edge only
- Adjustable shelf and sliding shelves packaged separately
- Engineered wood sliding shelves included for all construction types
- Two door cabinets must be ordered hinged left or right
- Specialty Door cabinets (SD) feature Matching Interior standard and require a specialty door selection
- Bottom doors have a center rail for select door styles - refer to door style section

2 DOORS

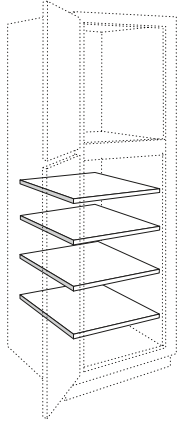
VLC122184 4SSK ■
 VLC152184 4SSK ■
 VLC182184 4SSK ■
 VLC122184 4SSK SD
 VLC152184 4SSK SD
 VLC182184 4SSK SD

4 BUTT DOORS

VLC242184 4SSK BUTT ■
 VLC242184 4SSK BUTT SD

Vanity Linen Cabinet • Adjustable Shelves

APC
MI
RD



- Field installation accessory
- 3/4" engineered wood
- Edge banded on front edge only
- CLIP LOCK shelf rests included

ADJUSTABLE SHELF

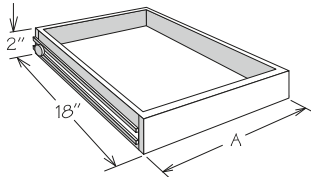
S1221
 S1521
 S1821
 S2421

4 PACK SHELF KIT

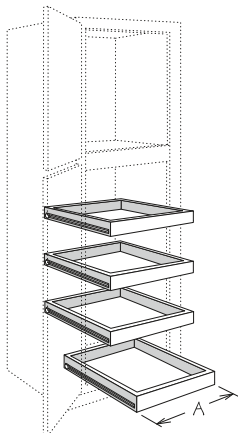
SK1221
 SK1521
 SK1821
 SK2421

Vanity Linen Cabinet • Sliding Shelves

CCSS
RD



- Field installation accessory
- Engineered wood sliding shelves with solid hardwood front, MDF bottom, and side-mounted drawer glides
- Includes sliding shelf, all glide hardware, and instructions



SLIDING SHELF KIT

SSK1221
 SSK1521
 SSK1821
 SSK2421

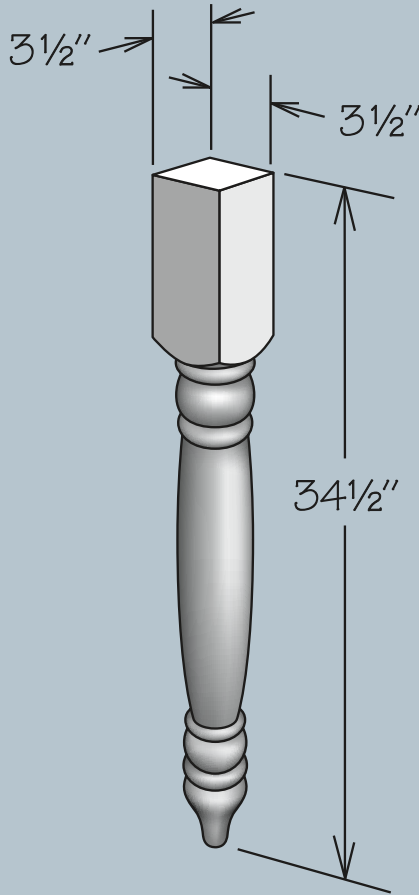
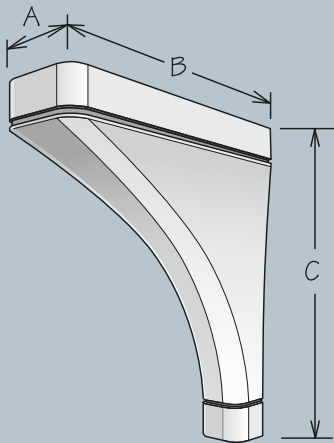
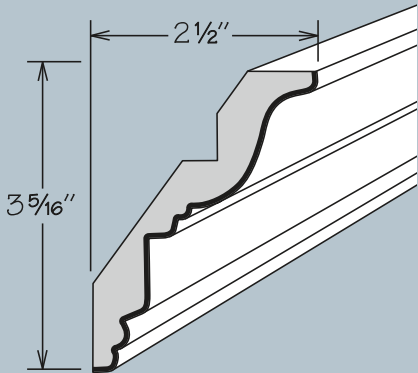
4 PACK SLIDING SHELF KIT

USS1221-4K
 USS1521-4K
 USS1821-4K
 USS2421-4K

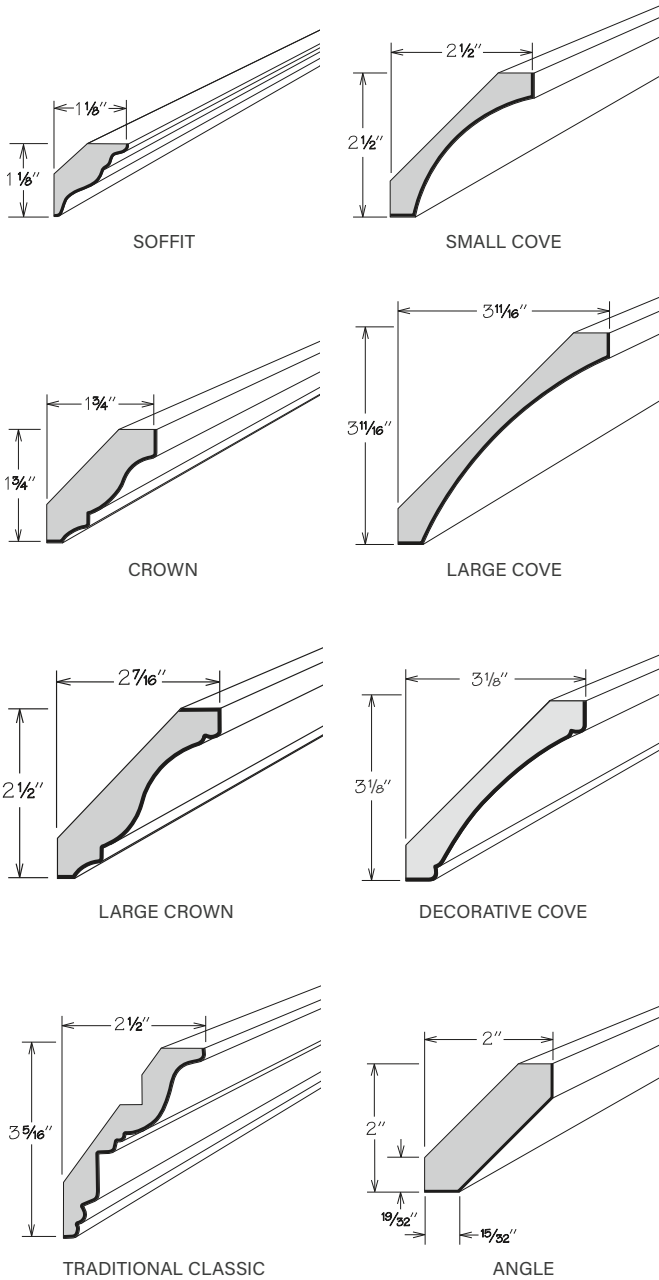
A

8 1/2"
 11 1/2"
 14 1/2"
 20 1/2"

MOLDING & DECORATIVE ACCENTS



Crown Molding



- 94" long
- Wood and Painted finishes feature solid wood finished to match cabinet box exterior - glazed finishes on CM8, DSCVM8, LCM8, SCM8 and TCCM8 will be glazed
- Duraform Breeze and Drift finishes:
 - » Feature Duraform textured wrapped MDF to match cabinet door for ACM8 DT, SCVM8 DT, and LCVM8 DT
 - » Feature solid wood finished to match cabinet box exterior for SCM8, CM8, LCM8, TCCM8, ACM8, SCVM8, LCVM8, and DCVM8
- Duraform Espresso, Harbor, Linen, and Stone finishes:
 - » Feature Duraform wrapped MDF for SCM8, CM8, TCCM8, and ACM8
 - » Feature solid wood finished to match cabinet box exterior for SCVM8, LCVM8, and DCVM8
- TCCM8 may use OGE8, SBIM8, or SIM8 as accent
- Bold line indicates finished surfaces

SOFFIT

SCM8

SMALL COVE

SCVM8
SCVM8 DT

CROWN

CM8

LARGE COVE

LCVM8
LCVM8 DT

LARGE CROWN

LCM8

DECORATIVE COVE

DCVM8

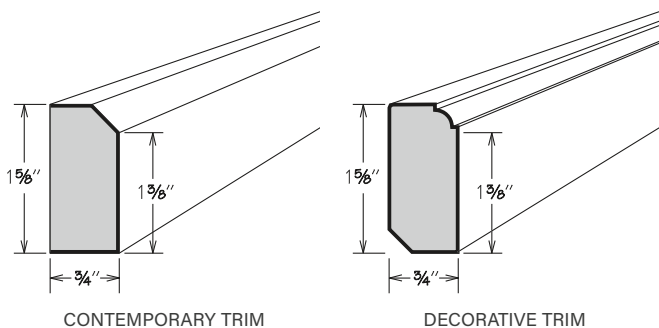
TRADITIONAL CLASSIC

TCCM8

ANGLE

ACM8
ACM8 DT

Edge Molding



- 94" long
- All finishes feature solid wood finished to match cabinet box exterior for CTM8 and DCTM8 - glazed finishes on DTCM8 will be glazed
- Duraform Breeze and Drift finishes feature Duraform textured wrapped MDF to match cabinet door for CTM8 DT
- Can be used as light rail molding (cleating may be required)
- Bold line indicates finished surfaces

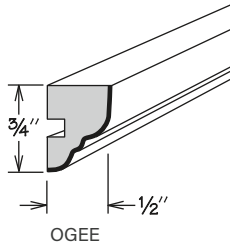
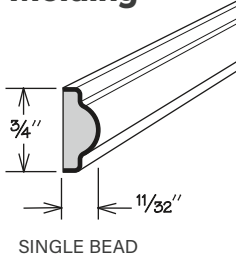
CONTEMPORARY TRIM

CTM8
CTM8 DT

DECORATIVE TRIM

DCTM8

Inset Molding



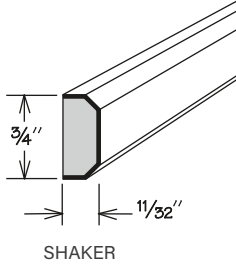
- 94" long
- All finishes feature solid wood finished to match cabinet box exterior - glazed finishes on OGE8 and SBIM8 will be glazed
- May be used as accent on TCCM8 and ILR8
- Bold line indicates finished surfaces

SINGLE BEAD

SBIM8

OGEE

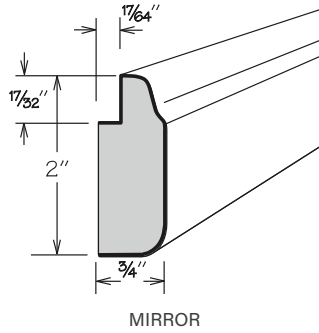
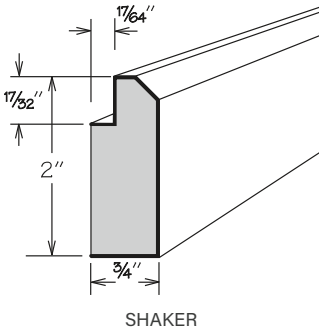
OGE8



SHAKER

SIM8

Mirror Molding



- 94" long
- All finishes feature solid wood finished to match cabinet box exterior - glazed finishes on MM8 will be glazed
- Bold line indicates finished surfaces

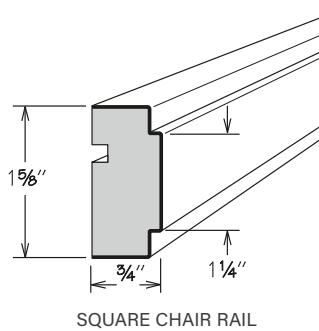
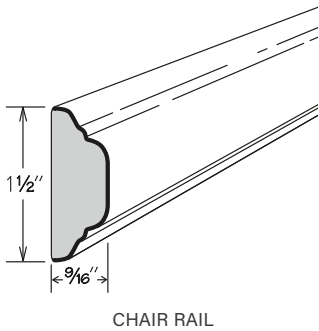
SHAKER

SMM8

MIRROR

MM8

Chair Rail and Specialty Molding



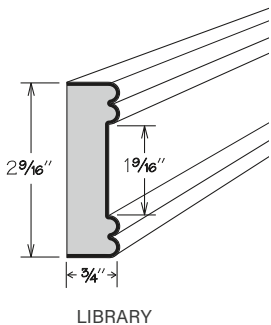
- 94" long
- All finishes feature solid wood finished to match cabinet box exterior - glazed finishes will be glazed
- May be used as vertical decorative molding (i.e. seams between bookshelves or in lieu of an overlay filler)
- Bold line indicates finished surfaces

CHAIR RAIL

CR8

SQUARE CHAIR RAIL

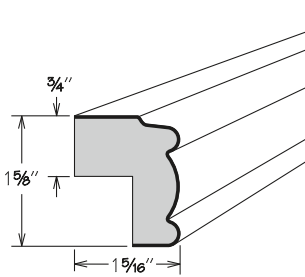
SQCR8



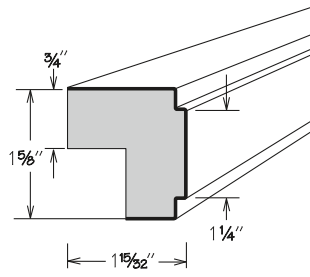
LIBRARY

LBM8

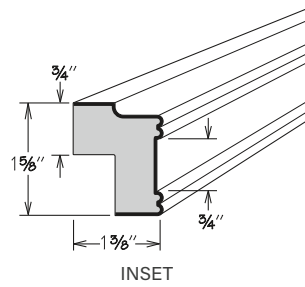
Light Rail Molding



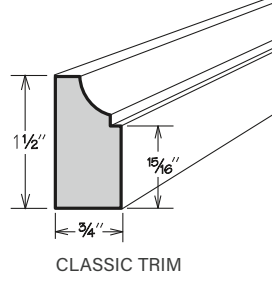
SMALL TRADITIONAL



SQUARE



INSET



CLASSIC TRIM

- 94" long
- All finishes feature solid wood finished to match cabinet box exterior - glazed finishes on ILR8, STLR8 and SQLR8 will be glazed
- ILR8 and LBM8 may use SBIM8 or SIM8 as accent
- CLTM8 can be used as light rail or edge molding (cleating may be required when used as light rail)
- Bold line indicates finished surfaces

SMALL TRADITIONAL

STLR8

SQUARE

SQLR8

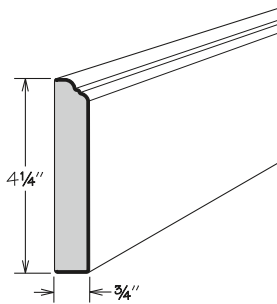
INSET

ILR8

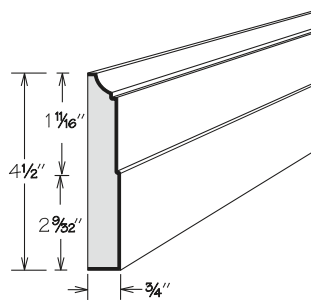
CLASSIC TRIM

CLTM8

Base Molding



OGEE PILASTER



CLASSIC BASEBOARD

- 94" long
- Wood, Painted, and Duraform Breeze and Drift finishes feature solid wood finished to match cabinet box exterior - glazed finishes will be glazed
- Duraform Espresso, Harbor, Linen, and Stone door styles:
 - » Feature Duraform wrapped MDF finished to match cabinet box exterior for OGP8
 - » Feature solid wood finished to match exterior cabinet box exterior for CLBM8
- For use with furniture toe or top molding applications
- Bold line indicates finished surfaces

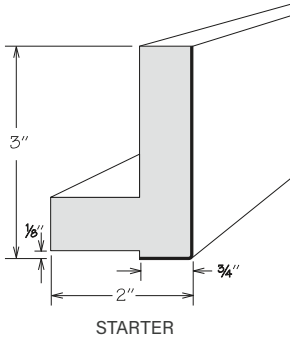
OGEE PILASTER

OGP8

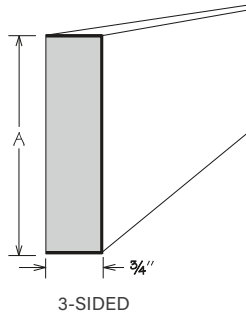
CLASSIC BASEBOARD

CLBM8

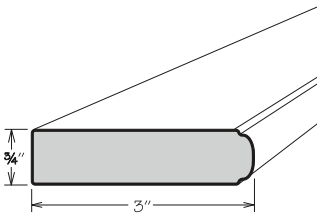
Molding Stock



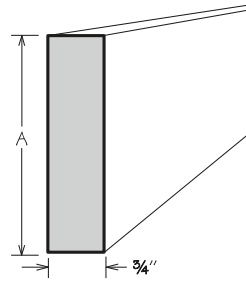
STARTER



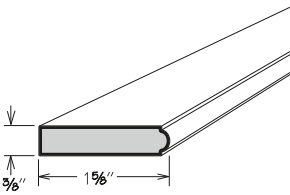
3-SIDED



SINGLE BEAD



4-SIDED

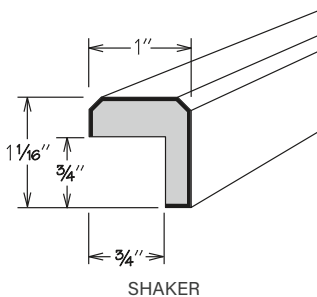


SMALL SINGLE BEAD

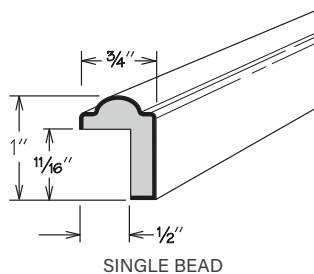
- All finishes feature solid wood finished to match cabinet box exterior - glazed finishes on SBM8 and SSBM8 will be glazed
- Duraform Breeze and Drift finishes feature Duraform textured wrapped MDF to match cabinet door for S3S396 DT and S3S696 DT
- 3-Sided and 4-Sided Stock may also be used in vertical applications (as a filler) or horizontal applications (as furniture toe)
- Bold line indicates finished surfaces

	LENGTH		A	LENGTH
STARTER		3-SIDED		
STRM8	94"	S3S396	3"	96"
		S3S396 DT	3"	96"
SINGLE BEAD		S3S696	6"	96"
SBM8	94"	S3S696 DT	6"	96"
SMALL SINGLE BEAD		4-SIDED		
SSBM8	94"	S4S396	3"	96"
		S4S696	6"	96"

Accent Molding



SHAKER



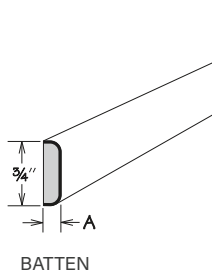
SINGLE BEAD

- 94" long
- All finishes feature solid wood finished to match cabinet box exterior - glazed finishes on SBAM8 will be glazed
- May be used as accent on Wall China, Wine Storage and Base Microwave cabinets
- Bold line indicates finished surfaces

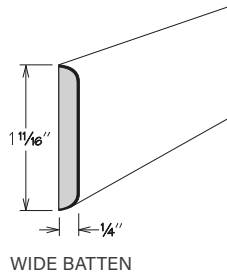
SHAKER
SAM8

SINGLE BEAD
SBAM8

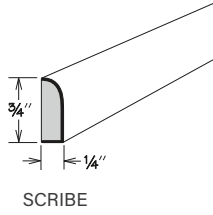
Trim Molding



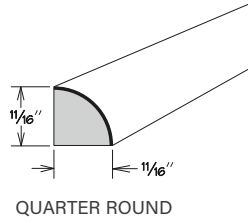
BATTEN



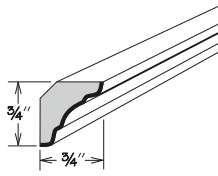
WIDE BATTEN



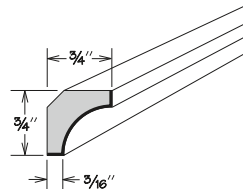
SCRIBE



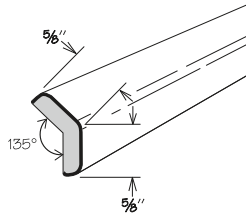
QUARTER ROUND



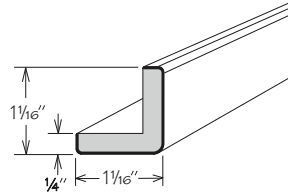
DECORATIVE INSIDE CORNER



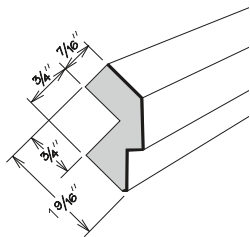
INSIDE CORNER



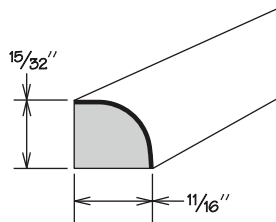
ANGLED OUTSIDE CORNER



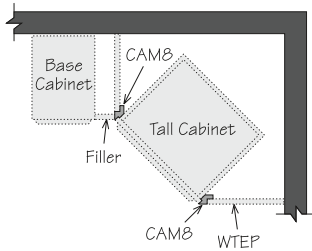
OUTSIDE CORNER



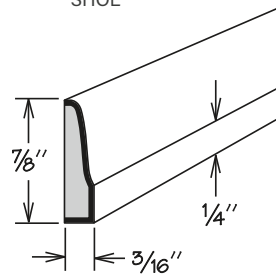
CABINET ANGLE



SHOE



Top View

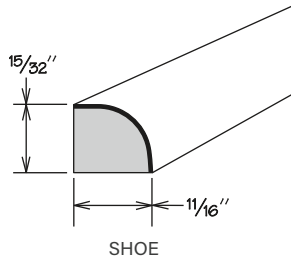
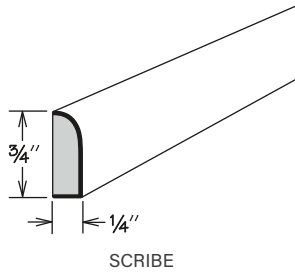
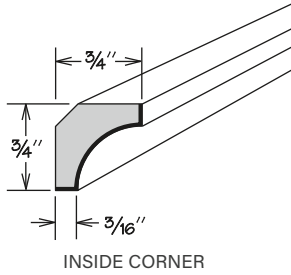
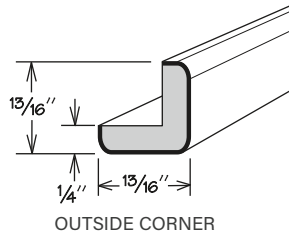
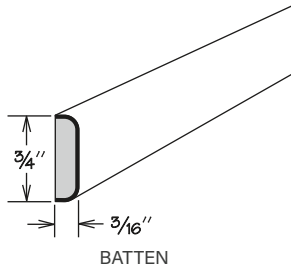


STRAIGHT TRIM

- All finishes feature solid wood finished to match cabinet box exterior for SHM8, UM8, BM8, SM8, SM10, ICM8, AOSC8, CAM8, WBM8, QR8, QM8, and OTCM8 - glazed finishes on ICM8 will be glazed
- Duraform Breeze and Drift finishes feature Duraform textured wrapped MDF to match cabinet door for SM8 DT, QM8 DT, OTCM8 DT, BM8 DT, and SHM8 DT
- Cabinet Angle Molding (CAM8):
 - » Can be used in corner application to place cabinet at 45° angle
 - » Cannot be installed on cabinets with the Furniture Ends Option (FE)
- Bold line indicates finished surfaces

	A	LENGTH		LENGTH
BATTEN			WIDE BATTEN	
BM8	3/16"	94"	WBM8	94"
BM8 DT	3/16"	94"	QUARTER ROUND	
SCRIBE			QR8	94"
SM8	—	94"	INSIDE CORNER	
SM8 DT	—	94"	QM8	94"
SM10	—	120"	QM8 DT	94"
DECORATIVE INSIDE CORNER			OUTSIDE CORNER	
ICM8	—	94"	OTCM8	94"
ANGLED OUTSIDE CORNER			OTCM8 DT	94"
AOSC8	—	94"	SHOE	
CABINET ANGLE			SHM8	94"
CAM8	—	94"	SHM8 DT	94"
			STRAIGHT TRIM	
			UM8	94"

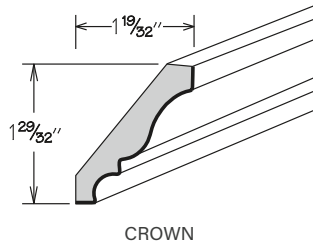
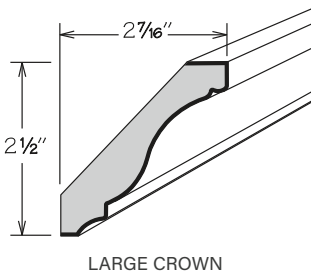
Builder Trim Molding



- All finishes feature stained, painted, or laminate wrapped hardwood or MDF finished to match cabinet box exterior
- Bold line indicates finished surfaces

	LENGTH		LENGTH
BATTEN		OUTSIDE CORNER	
BM8 BLD	94"	OCM8 BLD	94"
INSIDE CORNER		SCRIBE	
QM8 BLD	94"	SM8 BLD	96"
SHOE			
SHM8 BLD	94"		

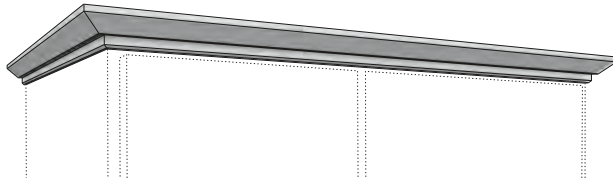
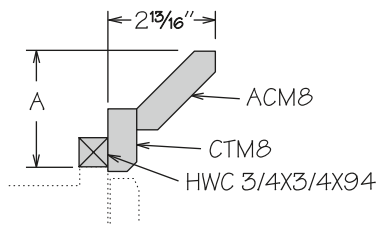
Builder Crown Molding



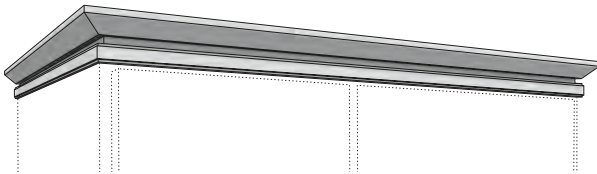
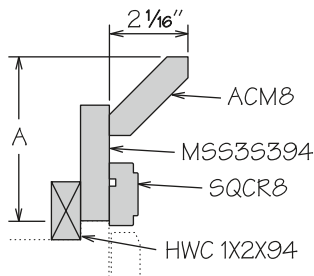
- 94" long
- All finishes feature stained, painted, or laminate wrapped hardwood or MDF finished to match cabinet box exterior - glazed finishes will be glazed
- Bold line indicates finished surfaces

LARGE CROWN	CROWN
LCM8 BLD	CM8 BLD

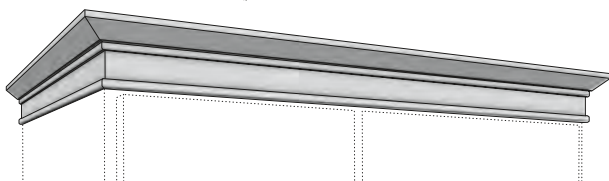
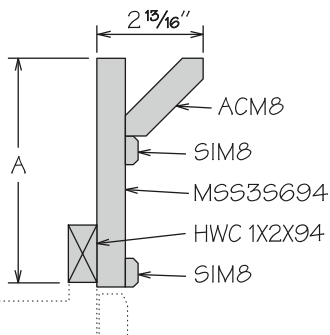
Molding Stack • Modern



MODERN 100



MODERN 200



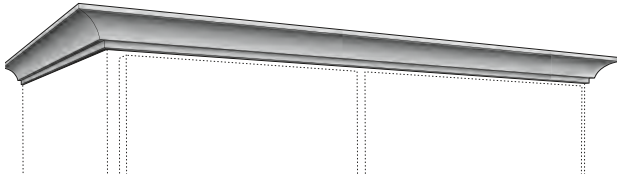
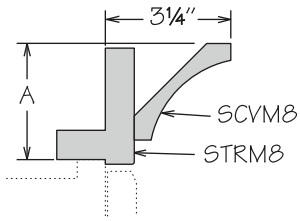
MODERN 300

- 94" long
- All door styles feature solid wood finished to match cabinet box exterior
- Height dimensions are above the face-frame height when used as shown
- Modern 100 pre-packaged molding kit includes:
 - » ACM8
 - » CTM8
 - » HWC 3/4X3/4X94
- Modern 200 pre-packaged molding kit includes:
 - » ACM8
 - » MSS3S394
 - » SQCR8
 - » HWC 1X2X94
- Modern 300 pre-packaged molding kit includes:
 - » ACM8
 - » SIM8 (2)
 - » MSS3S694
 - » HWC 1X2X94
- Molding Stacks shipped unassembled
- Molding Stacks to be cut, assembled and field installed at job site
- Only one finish can be specified per Molding Stack
- Molding Stack diagram included
- Refer to specifications on individual molding included in molding stack

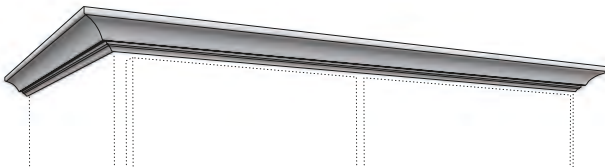
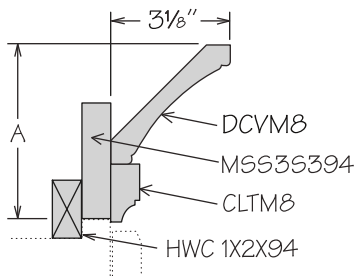
MODERN	HEIGHT SHOWN	A MIN.*	A MAX.
MS MODERN 100	3"	2 3/16"	3"
MS MODERN 200	4 1/4"	3 3/16"	4 1/2"
MS MODERN 300	5 7/8"	5 7/8"	7 3/8"

*Without trimming in height

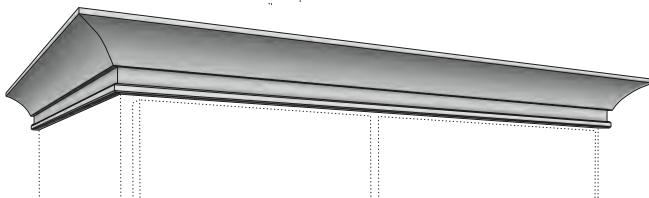
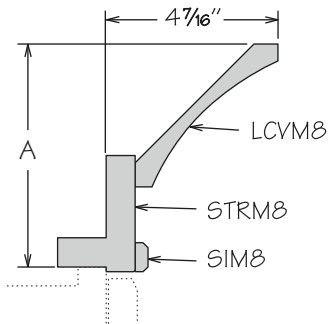
Molding Stack • Transitional



TRANSITIONAL 100



TRANSITIONAL 200



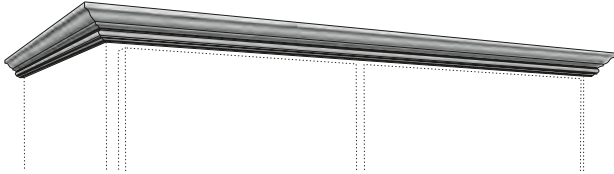
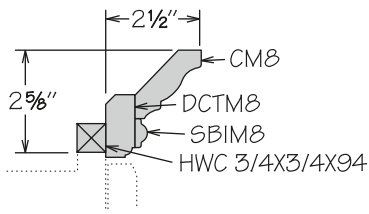
TRANSITIONAL 300

- 94" long
- All door styles feature solid wood finished to match cabinet box exterior
- Height dimensions are the above-face-frame height when used as shown
- Transitional 100 pre-packaged molding kit includes:
 - » SCVM8
 - » STRM8
- Transitional 200 pre-packaged molding kit includes:
 - » DCVM8
 - » MSS3S394
 - » CLTM8
 - » HWC 1X2X94
- Transitional 300 pre-packaged molding kit includes:
 - » LCVMB
 - » STRM8
 - » SIM8
- Molding Stacks shipped unassembled
- Molding Stacks to be cut, assembled and field installed at job site
- Only one finish can be specified per Molding Stack
- Molding Stack diagram included
- Refer to specifications on individual molding included in molding stack

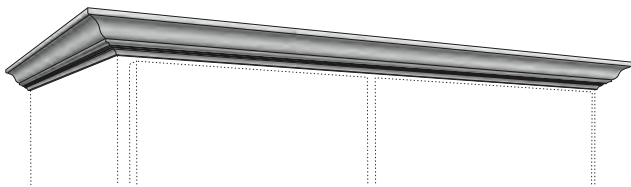
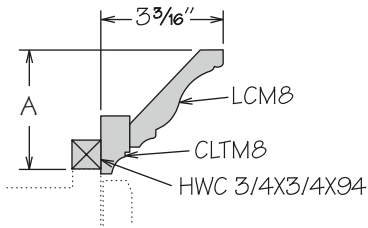
TRANSITIONAL	HEIGHT SHOWN	A MIN.*	A MAX.
MS TRANSITIONAL 100	3"	2 7/8"	4 3/4"
MS TRANSITIONAL 200	4 1/2"	4 1/2"	5 1/2"
MS TRANSITIONAL 300	5 3/4"	4 5/16"	5 5/16"

*Without trimming in height

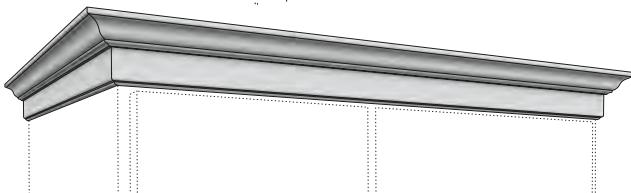
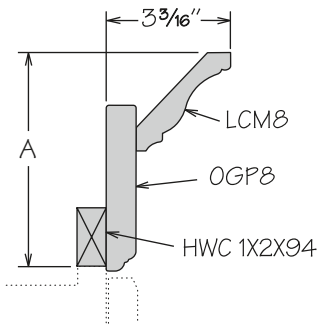
Molding Stack • Classic



CLASSIC 100



CLASSIC 200



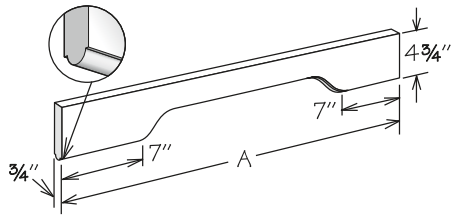
CLASSIC 300

- 94" long
- All door styles feature solid wood finished to match cabinet box exterior
- Height dimensions are the above-face-frame height when used as shown
- Classic 100 pre-packaged molding kit includes:
 - » CM8
 - » DCTM8
 - » SBIM8
 - » HWC 3/4X3/4X94
- Classic 200 pre-packaged molding kit includes:
 - » LCM8
 - » CLTM8
 - » HWC 3/4X3/4X94
- Classic 300 pre-packaged molding kit includes:
 - » LCM8
 - » OGP8
 - » HWC 1X2X94
- Molding Stacks shipped unassembled
- Molding Stacks to be cut, assembled and field installed at job site
- Only one finish can be specified per Molding Stack
- Molding Stack diagram included
- Refer to specifications on individual molding included in molding stack

CLASSIC	HEIGHT SHOWN	A MIN.*	A MAX.
MS CLASSIC 100	2 5/8"	-	-
MS CLASSIC 200	3 1/16"	2 15/16"	3 5/16"
MS CLASSIC 300	5 1/2"	4 1/8"	6"

*Without trimming in height

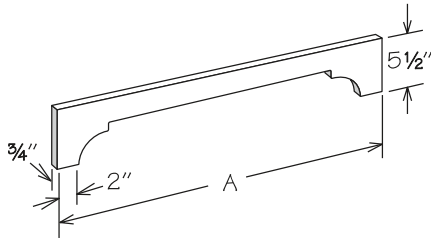
Arched Valance



- Field trimmable
- All door styles feature solid wood finished to match cabinet box exterior
- Dimension from height of arch to top of valance is 2 1/8"

	A	MAX. TRIM (6 1/8" each end)
V36 AR	36 1/4"	24"
V48 AR	48 1/4"	36"
V60 AR	60 1/4"	48"
V72 AR	72 1/4"	60"

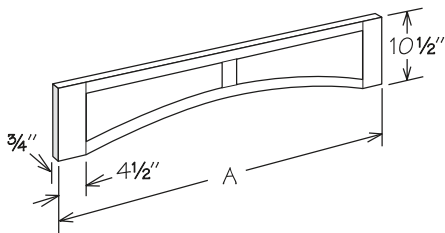
Crown Valance



- Field trimmable
- All door styles feature solid wood finished to match cabinet box exterior
- Dimension from height of arch to top of valance is 2 1/4"

	A	MAX. TRIM (1 1/2" each end)
V30 CR	30 1/4"	27 1/4"
V36 CR	36 1/4"	33 1/4"
V42 CR	42 1/4"	39 1/4"
V48 CR	48 1/4"	45 1/4"

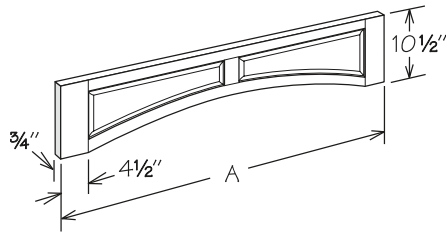
Flat Panel Arched Valance



- Field trimmable
- All door styles feature solid wood finished to match cabinet box exterior - glazed finishes will be glazed
- Dimension from height of arch to top of valance is 8 1/2"

	A	MAX. TRIM (3" each end)	NUMBER OF PANELS
V36 FP	36"	30"	2
V42 FP	42"	36"	2
V48 FP	48"	42"	2
V54 FP	54"	48"	3

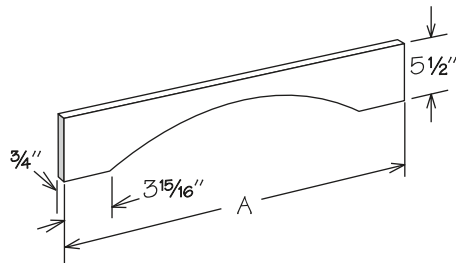
Raised Panel Arched Valance



- Field trimmable
- All door styles feature solid wood finished to match cabinet box exterior - glazed finishes will be glazed
- Dimension from height of arch to top of valance is 8 1/2"

	A	MAX. TRIM (3" each end)	NUMBER OF PANELS
V36 RP	36"	30"	2
V42 RP	42"	36"	2
V48 RP	48"	42"	2
V54 RP	54"	48"	3

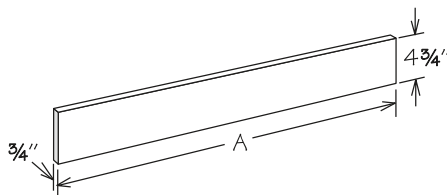
Shaker Valance



- Field trimmable
- All door styles feature solid wood finished to match cabinet box exterior
- Dimension from height of arch to top of valance is 2 1/4"

	A	MAX. TRIM (3 3/8" each end)
V30 SH	30 1/4"	24"
V36 SH	36 1/4"	30"
V42 SH	42 1/4"	36"
V48 SH	48 1/4"	42"
V60 SH	60 1/4"	54"
V72 SH	72 1/4"	66"

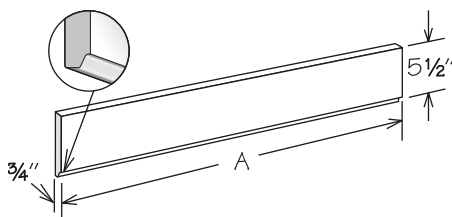
Straight Valance



- Field trimmable
- All door styles feature solid wood finished to match cabinet box exterior

	A
V48 S	48 1/4"
V72 S	72 1/4"

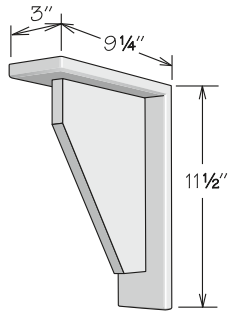
Traditional Valance



- Field trimmable
- All door styles feature solid wood finished to match cabinet box exterior - glazed finishes will be glazed

	A
V36 T	36 1/4"
V72 T	72 1/4"
V96 T	96 1/4"

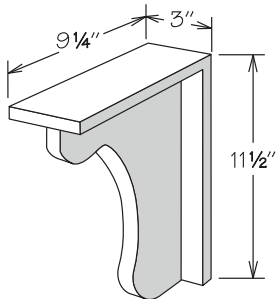
Angled Corbel



- All door styles feature 5/8" solid wood finished to match cabinet box exterior - glazed finishes will be glazed
- For decorative use only

AS12

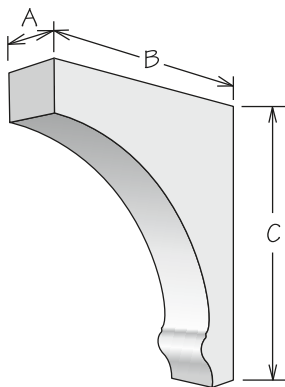
Curved Corbel



- All door styles feature 5/8" solid wood finished to match cabinet box exterior - glazed finishes will be glazed
- For decorative use only

CS12

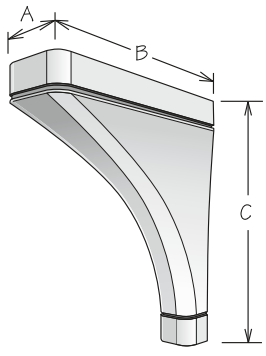
Classic Corbels NEW! PRODUCT



- All door styles feature solid wood finished to match cabinet box exterior
- Recessed mounting clips included
- For decorative use only

	A	B	C
CLC29	2"	5"	9"
CLC212	2"	9"	12"

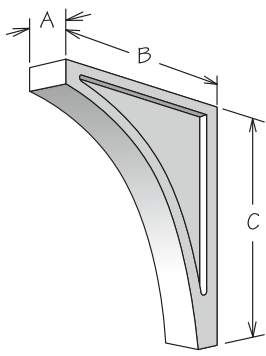
Era Corbels NEW! PRODUCT



- All door styles feature solid wood finished to match cabinet box exterior
- Recessed mounting clips included
- For decorative use only

	A	B	C
ERC49	4¼"	5"	9"
ERC312	3"	9"	12"

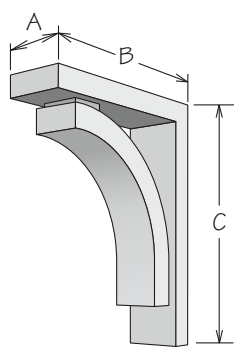
Cove Corbels



- All door styles feature solid wood finished to match cabinet box exterior - glazed finishes will be glazed
- Recessed mounting clips included
- For decorative use only

	A	B	C
CC29	1¾"	6"	9"
CC49	4"	5"	9"
CC212	1¾"	8"	12"

Prairie Corbels

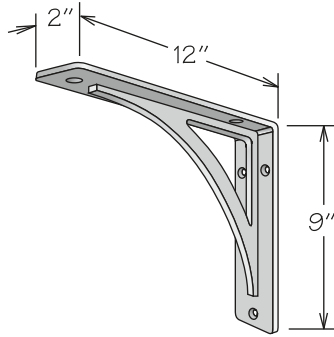


- All door styles feature solid wood finished to match cabinet box exterior
- Recessed mounting clips included
- For decorative use only

	A	B	C
PC36	3"	3"	6"
PC49	4"	5"	9"
PC312	2⅞"	9"	12"

Metal Cove Corbel

NEW! **FINISH**

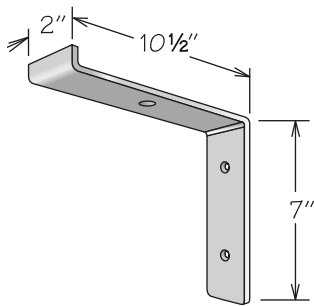


- Mounting clips included
- Can be installed using either height orientation
- Installation instructions included
- Will support up to 100 lbs. when installed per included installation instructions

	FINISH
METAL COVE 212 BG	Brushed Gold
METAL COVE 212 VB	Verona Bronze
METAL COVE 212 MB	Matte Black
METAL COVE 212 SN	Satin Nickel

Metal Emerson Corbel

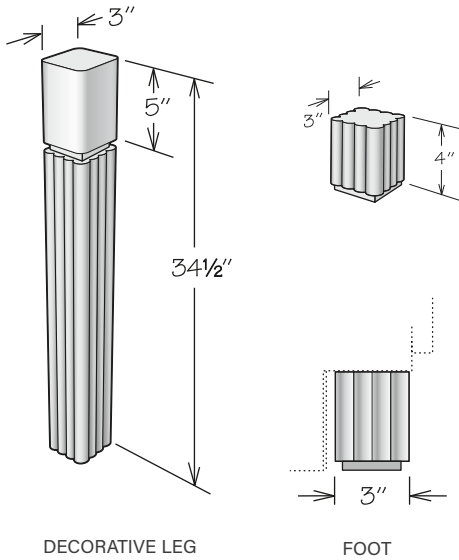
NEW! **FINISH**



- Mounting clips included
- Installation instructions included
- Will support up to 100 lbs. when installed per included installation instructions

	FINISH
METAL EMERSON 27 BG	Brushed Gold
METAL EMERSON 27 VB	Verona Bronze
METAL EMERSON 27 MB	Matte Black
METAL EMERSON 27 SN	Satin Nickel

Aria Legs and Foot NEW! PRODUCT

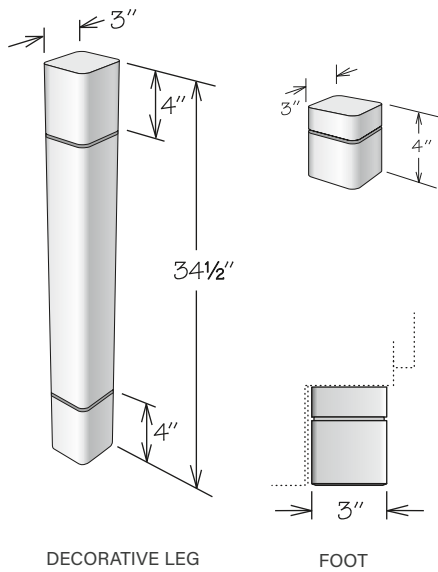


- All door styles feature solid wood finished to match cabinet box exterior
- Leg is field trimmable
- Recommend ordering Table Skirting Furniture Bracket (TSFB) separately for decorative leg installation

DECORATIVE LEG
ARDL

FOOT
ARDF

Era Legs and Foot NEW! PRODUCT

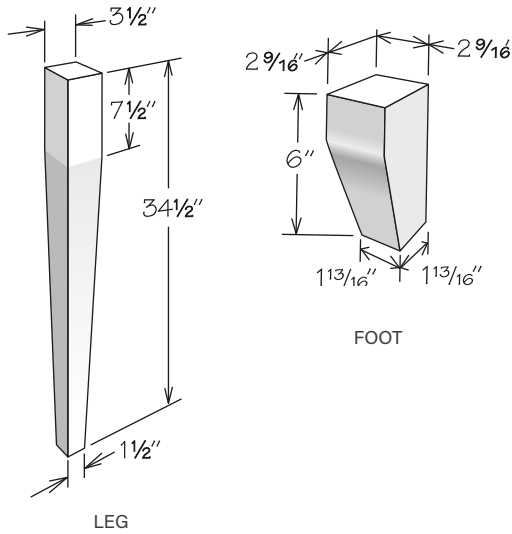


- All door styles feature solid wood finished to match cabinet box exterior
- Leg is field trimmable
- Recommend ordering Table Skirting Furniture Bracket (TSFB) separately for decorative leg installation

DECORATIVE LEG
ERDL

FOOT
ERDF

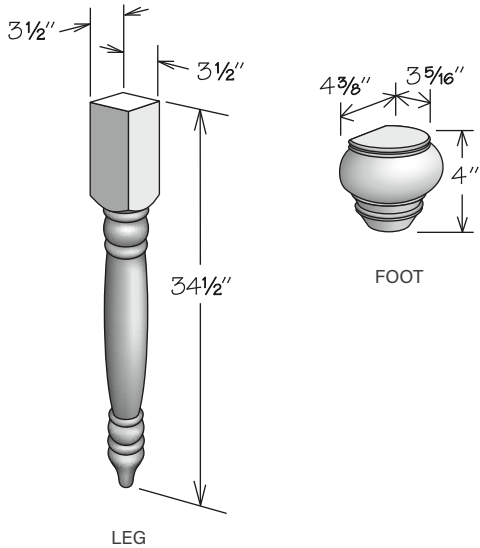
Base Tapered Leg and Foot



- All door styles feature solid wood finished to match cabinet box exterior
- Base Tapered Leg is tapered on all sides and is field trimmable
- Base Tapered Foot is tapered on two sides and is field trimmable to 4" high
- Recommend ordering Table Skirting Furniture Bracket (TSFB) separately for decorative leg installation

LEG	FOOT
BTPL	TPF

Base Turned Leg and Feet

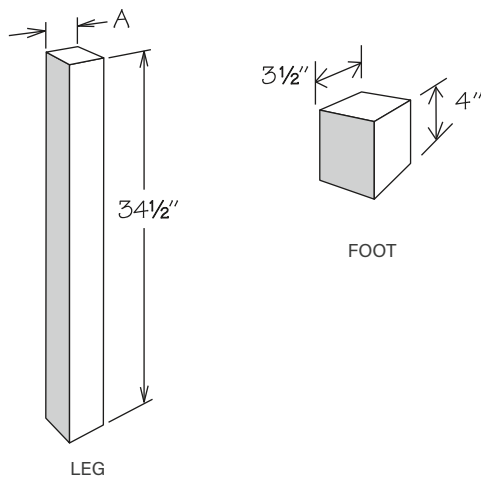


- All door styles feature solid wood finished to match cabinet box exterior - glazed finishes will be glazed
- Base Turned Leg is field trimmable to 28 1/2" high
- Recommend ordering Table Skirting Furniture Bracket (TSFB) separately for decorative leg installation

LEG	FOOT
BTL	ATF

Base Square Leg and Foot

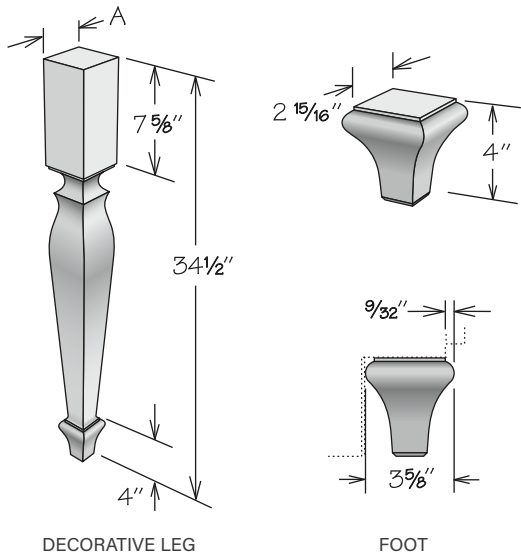
NEW! **SIZE**



- All door styles feature solid wood finished to match cabinet box exterior
- Base Square Leg is field trimmable
- Recommend ordering Table Skirting Furniture Bracket (TSFB) separately for decorative leg installation

DECORATIVE LEG	A	FOOT
BSQL	3 1/2"	BSQF
BSQL5	4 1/2"	-

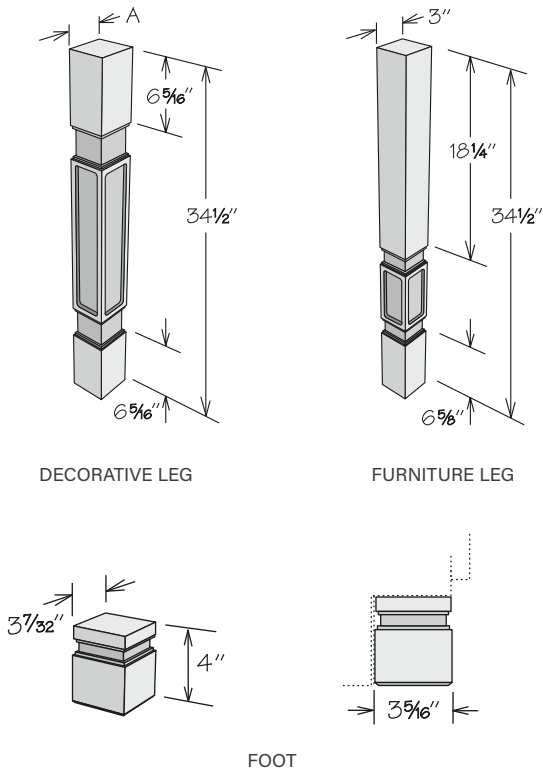
Chantilly Legs and Foot NEW! SIZE



- All door styles feature solid wood finished to match cabinet box exterior - glazed finishes will be glazed
- Legs are field trimmable
- Recommend ordering Table Skirting Furniture Bracket (TSFB) separately for decorative leg installation

DECORATIVE LEGS	A	FOOT
CDL	3 1/2"	CDF
CDL5	4 1/2"	

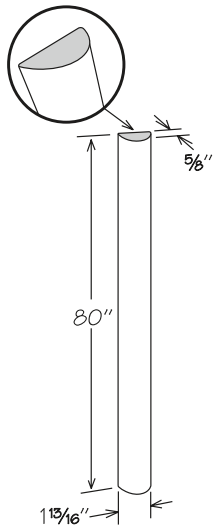
Parker Legs and Foot NEW! SIZE



- All door styles feature solid wood finished to match cabinet box exterior - glazed finishes will be glazed
- Legs are field trimmable
- Recommend ordering Table Skirting Furniture Bracket (TSFB) separately for decorative leg installation

DECORATIVE LEG	A	FURNITURE LEG
PDL	3 1/2"	PFL
PDL5	4 1/2"	
FOOT		
PDF		

Split Post

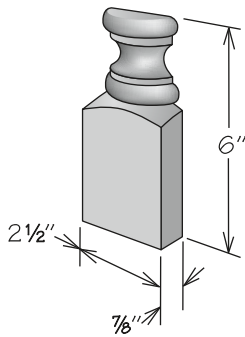


- All door styles feature solid wood finished to match cabinet box exterior
- Field trimmable
- Use with Traditional Split Block to create design element
- Must be mounted to a Universal Filler (order separately)

SPLIT POST

SPLT POST80 P

Traditional Split Block

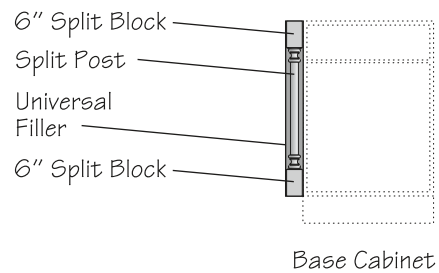
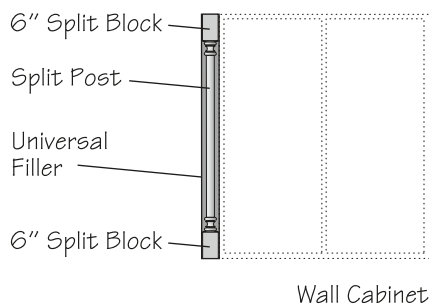


- All door styles feature solid wood finished to match cabinet box exterior - glazed finishes will be glazed
- For floor or wall application
- Use with Split Post to create design element
- Must be mounted to a Universal Filler (order separately)

SPLIT BLOCK

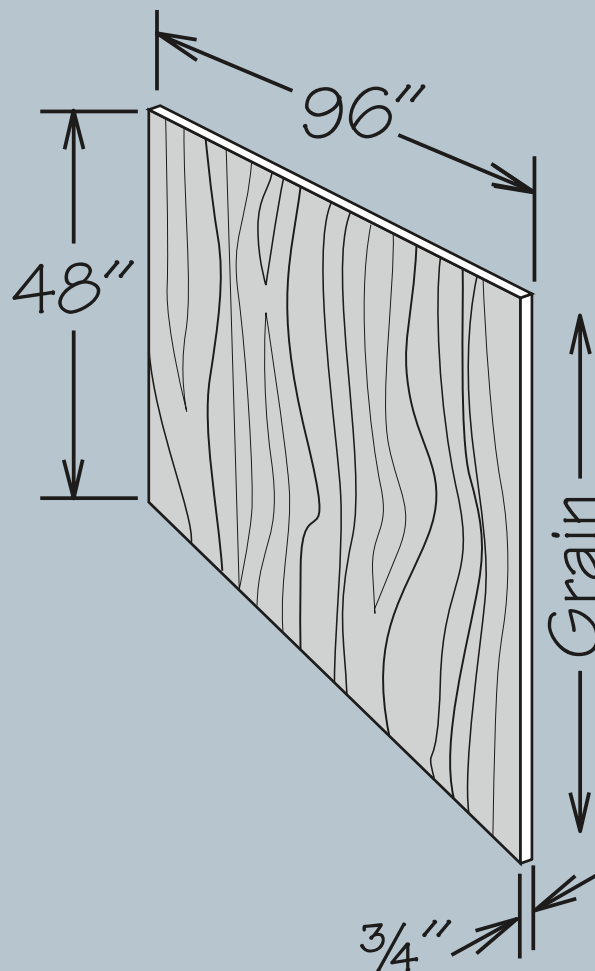
SPLT BLOCK26 T

SUGGESTED DESIGN APPLICATIONS

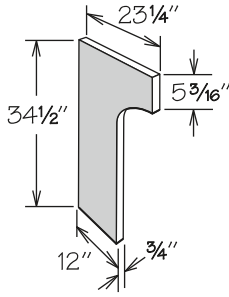


Notes

PANELS, FILLERS & INSTALLATION ITEMS



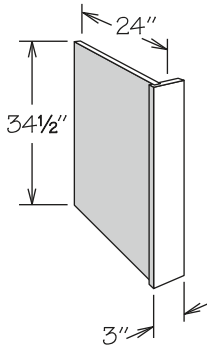
Desk End Panel



- All door styles feature 3/4" veneered engineered wood finished to match cabinet box exterior on both sides
- Recommend QM8 be ordered for installation to ensure proper attachment to wall
- Field trimmable
- Edge banded on front

DEP

Dishwasher Return

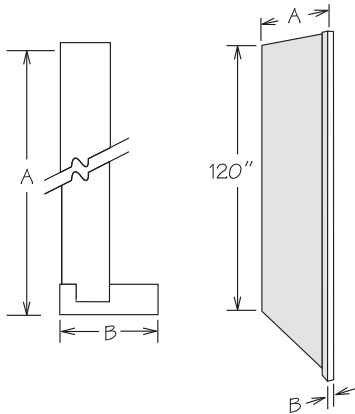


- Reversible for left or right installation
- Solid wood front
- All door styles feature 1/2" engineered wood with outside finished to match cabinet exterior and inside with a natural woodgrain look
- Wall attachment block included
- Field trimmable to 1" in width
- Can be notched for toe kick in the field

APC
FE
PE

DWR3

Refrigerator Return • 3/4" Panel

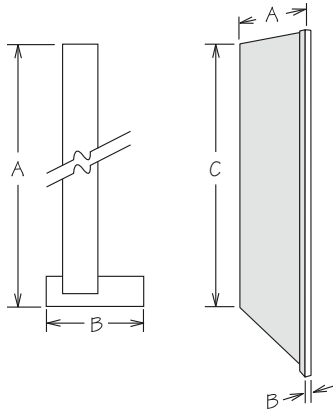


- Reversible for left or right installation
- Solid wood front
- 24" Deep Refrigerator Returns feature 3/4" engineered wood finished on both sides to match cabinet box exterior
- 32" Deep Refrigerator Returns feature 3/4" plywood finished on both sides to match cabinet box exterior
- Front filler can be trimmed to a minimum of 1" wide
- Field trimmable in height, can be notched for toe kick

APC	◆
RD	■

	A	B
RR120FL ◆	24"	1 5/8"
RR3120FL ◆	24"	3"
RR120FL X 32DP ■	32"	1 5/8"
RR3120FL X 32DP ■	32"	3"

Refrigerator Return • 1/2" Panel

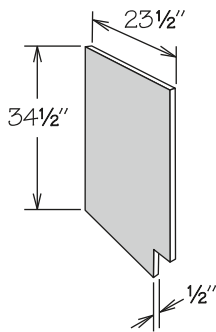


- Reversible for left or right installation
- Solid wood front
- 24" Deep Refrigerator Returns feature 1/2" engineered wood with outside finished to match cabinet exterior and inside with a natural woodgrain look
- 32" Deep Refrigerator Returns feature 1/2" plywood finished on outside to match cabinet exterior and interiors with a natural woodgrain look
- Front filler can be trimmed to a minimum of 1" wide
- Field trimmable in height, can be notched for toe kick

APC ◆
FE
MI
PE
RD ■

	A	B	C
RR84 ◆	24"	1 5/8"	84"
RR384 ◆	24"	3"	84"
RR96 ◆	24"	1 5/8"	96"
RR396 ◆	24"	3"	96"
RR84 X 32DP ■	32"	1 5/8"	84"
RR384 X 32DP ■	32"	3"	84"
RR96 X 32DP ■	32"	1 5/8"	96"
RR396 X 32DP ■	32"	3"	96"

Sink/Vanity Front Return

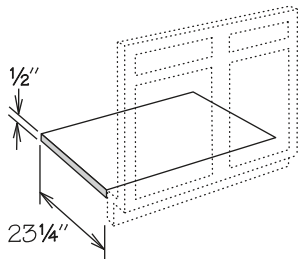


- All door styles feature 1/2" engineered wood with outside to match cabinet exterior and inside with a natural woodgrain look
- Specify left or right
- Wall attachment block included
- SFR (R/L) with the Furniture Ends Option (FE) will include a rabbeted front edge
- Field trimmable

APC
FE
PE

SFRR
SFRL

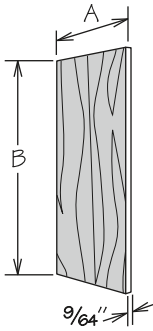
Sink/Vanity Front Floor



- All door styles feature 1/2" engineered wood with one side finished with a natural woodgrain look
- 1/2" oversize in width
- FL36X36 to be used for CSF36 (field trim to fit)
- FL48X48 to be used for CSF42 (field trim to fit)
- Field trimmable

FL24
FL36
FL36X36
FL48
FL48X48
FL60
FL72

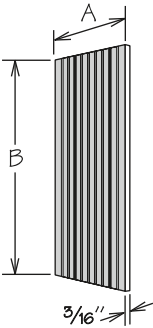
Paneling



- Wood door styles feature plywood, with vertical grain, finished on one side to match cabinet box exterior
- Duraform and Painted door styles feature engineered wood finished on one side to match cabinet box exterior
- Textured panels feature textured-wrapped engineered wood finished on one side to match cabinet door - available for Breeze and Drift finishes only
- FP9634 DT is shipped as two 48" wide x 34 1/2" high panels
- Field trimmable, can be notched for toe kick

WOOD	TEXTURED	A	B
WEP30	WEP30 DT	11 1/4"	30 1/8"
WEP42	WEP42 DT	11 1/4"	42 1/8"
WEP48	WEP48 DT	11 1/4"	48"
WEP1542	WEP1542 DT	14 1/4"	42 1/8"
BEP34	BEP34 DT	23 3/4"	34 1/2"
TEP84	TEP84 DT	23 3/4"	84"
TEP96	TEP96 DT	23 3/4"	96"
TEP120	TEP120 DT	23 3/4"	120"
FP4834	FP4834 DT	48"	34 1/2"
FP4896	FP4896 DT	48"	96"
FP9634	FP9634 DT	96"	34 1/2"
FP9648	-	96"	48"

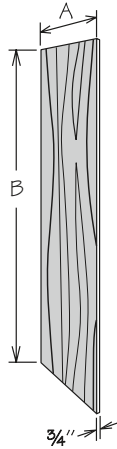
Grooved Paneling



- Grooved every 1 1/2" on one side
- All door styles feature 3/16" plywood finished on one side to match cabinet box exterior - glazed finishes will be glazed
- Field trimmable, can be notched for toe kick
- FP9634 Grooved Paneling is shipped as two 48" wide x 34 1/2" high panels

	A	B
WEP30 GROOVED	11 1/4"	30 1/8"
WEP42 GROOVED	11 1/4"	42 1/8"
WEP48 GROOVED	11 1/4"	48"
WEP1542 GROOVED	14 1/4"	42 1/8"
BEP34 GROOVED	23 3/4"	34 1/2"
TEP84 GROOVED	23 3/4"	84"
TEP96 GROOVED	23 3/4"	96"
FP4834 GROOVED	48"	34 1/2"
FP4896 GROOVED	48"	96"
FP9634 GROOVED	96"	34 1/2"

Wood End Panel

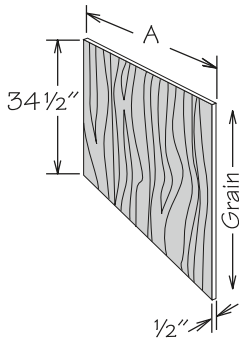


- Wood panels feature engineered wood finished on both sides to match cabinet box exterior for all door styles
 - » Edge banded on both long edges
- Textured panels feature textured-wrapped engineered wood finished on both sides to match cabinet door - available for Breeze and Drift finishes only
 - » WWEP_DT are edge banded on all four edges
 - » WBEP_DT and DWTEP_DT are edge banded on both long edges
- Field trimmable, can be notched for toe kick

WOOD	A	B
WBEP	24"	34½"
WTEP84	24"	84"
WTEP96	24"	96"
WTEP120	24"	120"
DWTEP84	32"	84"
DWTEP96	32"	96"
TEXTURED		
WWEP1330 DT	13"	30⅙"
WWEP1336 DT	13"	36⅙"
WWEP1339 DT	13"	39⅙"
WWEP1342 DT	13"	42⅙"
WBEP2534 DT	25"	34½"
DWTEP84 DT	32"	84"
DWTEP96 DT	32"	96"
DWTEP120 DT	32"	120"

½" Panel

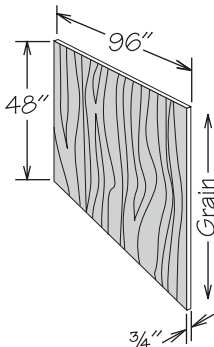
NEW! PRODUCT



- Wood panels feature plywood finished on one side to match cabinet box exterior for all door styles
- Recommend Outside Corner Molding (OCM8) to cover raw edges
- WFP9634 is shipped as two 48" wide x 34½" high panels
- Field trimmable, can be notched for toe kick

WOOD	A
WFP4834	48"
WFP9634	96"

¾" Panel

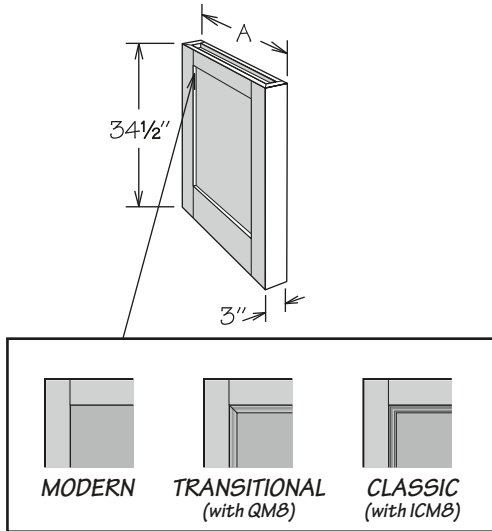


- Wood panels feature plywood finished on both sides to match cabinet box exterior for all door styles
- Textured panels feature textured-wrapped engineered wood finished on both sides to match cabinet door - available for Breeze and Drift finishes only
- WFP9648 DT is shipped as two 48" wide x 48" high panels
- Edge banded on all edges
- Field trimmable, can be notched for toe kick

WOOD	TEXTURED
WP9648	WP9648 DT

Decorative Island Side

NEW! PRODUCT

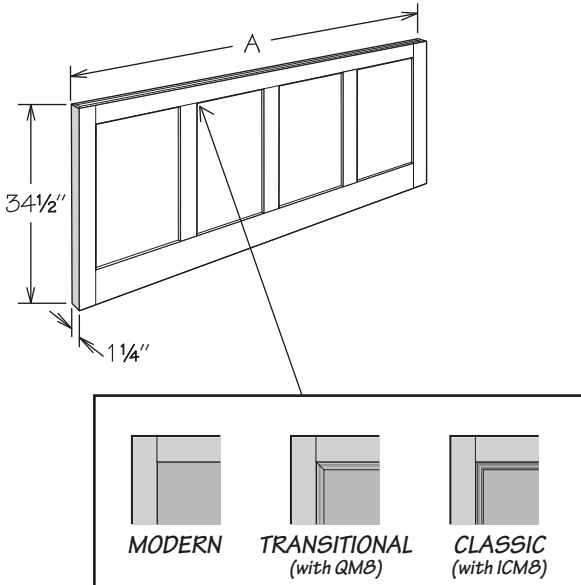


- All door styles features a combination of plywood and solid wood finished to match cabinet exterior
- Transitional Decorative Island Side (DIS_T) are shipped with QM8 molding - field trim and install around inside of panel sections
- Classic Decorative Island Side (DIS_C) are shipped with ICM8 molding - field trim and install around inside of panel sections

	QTY. OF PANEL SECTIONS	A	B	INSIDE MOLDING QTY.
Modern				
DIS2534 M	1	25 1/4"	19 1/2"	-
DIS3734 M	2	37 1/4"	14 1/8"	-
DIS4934 M	2	49 1/4"	19 1/2"	-
Transitional				
DIS2534 T	1	25 1/4"	19 1/2"	1
DIS3734 T	2	37 1/4"	14 1/8"	2
DIS4934 T	2	49 1/4"	19 1/2"	3
Classic				
DIS2534 C	1	25 1/4"	19 1/2"	1
DIS3734 C	2	37 1/4"	14 1/8"	2
DIS4934 C	2	49 1/4"	19 1/2"	3

Decorative Island Panel Kit

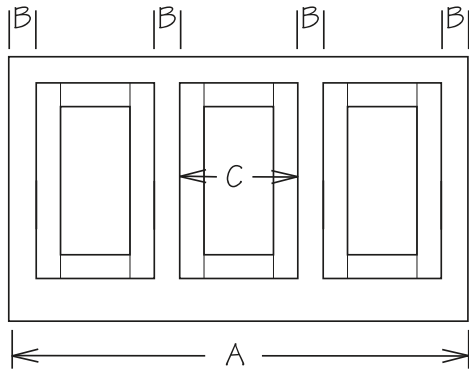
NEW! PRODUCT



- Kit must be trimmed and assembled in field - items shipped separately
- Plywood panel is finished on one side to match box exterior
 - » Recommended for use with Decorative Island Side Panel, or additional molding is recommended to cover raw edge of panel
- Modern Decorative Island Panel Kits include:
 - » 6" Solid Stock (S3S696)
 - » 3" Solid Stock (S3S369)
 - » 1/2" Panel (48" Kit: WFP4834, 96" Kit: WFP9634)
- Transitional Decorative Island Panel Kits Include:
 - » 6" Solid Stock (S3S696)
 - » 3" Solid Stock (S3S369)
 - » Inside Corner Molding (QM8)
 - » 1/2" Panel (48" Kit: WFP4834, 96" Kit: WFP9634)
- Classic Decorative Island Panel Kits Include:
 - » 6" Solid Stock (S3S696)
 - » 3" Solid Stock (S3S369)
 - » Decorative Inside Corner Molding (ICM8)
 - » 1/2" Panel (48" Kit: WFP4834, 96" Kit: WFP9634)

	MAX. PANEL A	SECTIONS	S3S696 QTY.	S3S396 QTY.	WFP4834 QTY.	INSIDE MOLDING QTY.
Modern						
DIPK4834 M	48"	2	1	2	1	-
DIPK9634 M	96"	4	1	3	2	-
Transitional						
DIPK4834 T	48"	2	1	2	1	2
DIPK9634 T	96"	4	1	3	2	4
Classic						
DIPK4834 C	48"	2	1	2	1	2
DIPK9634 C	96"	4	1	3	2	4

Decorative Door Wainscoting Ordering Guide



NOTES:

- 1/2" Panels (WFP_) are finished on one side to match cabinet box exterior - molding recommended to cover raw edges
- Dimension "B" is calculated based on even spacing on both ends and between panels - adjust as needed for outside corner molding.

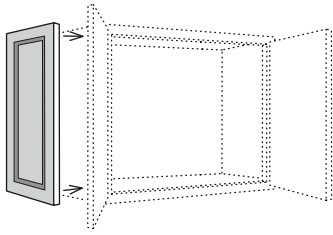
Full Overlay Door Styles

A WIDTH	B SPACE BETWEEN DOORS	C DOOR WIDTH	PANEL	DOORS (NO DRILL)
30"	3/16"	14 23/32"	WFP4834	(2) DR15FH BUTT
36"	3/16"	17 23/32"	WFP4834	(2) DR18FH BUTT
42"	9/32"	20 9/16"	WFP4834	(2) DR21FH
48"	5/8"	15 5/32"	WFP4834	(3) DR16FH BUTT
60"	7/32"	14 23/32"	WFP9634	(4) DR15FH BUTT
72"	7/32"	17 23/32"	WFP9634	(4) DR18FH BUTT
84"	1 1/32"	20 9/16"	WFP9634	(4) DR21FH
96"	1 1/32"	23 9/16"	WFP9634	(4) DR24FH

Partial Overlay Door Styles

A WIDTH	B SPACE BETWEEN DOORS	C DOOR WIDTH	PANEL	DOORS (NO DRILL)
30"	1 1/16"	13 15/16"	WFP4834	(2) DR1530 BUTT
36"	1 1/16"	16 15/16"	WFP4834	(2) DR1830 BUTT
42"	1 13/32"	18 7/8"	WFP4834	(2) DR2130
48"	1 3/32"	15 7/16"	WFP4834	(3) DR1630 BUTT
60"	2 7/32"	13 15/16"	WFP9634	(4) DR1530 BUTT
72"	2 7/32"	16 15/16"	WFP9634	(4) DR1830 BUTT
84"	1 1 1/16"	18 7/8"	WFP9634	(4) DR2130
96"	1 1 1/16"	21 7/8"	WFP9634	(4) DR2430

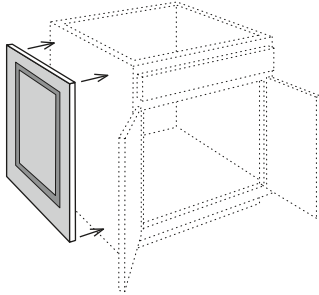
Decorator Matching Doors • Wall Cabinets



- Furniture Ends Option (FE) or WEP30/WEP42 panel is recommended for installation
- Attaches to side of wall cabinet
- Matches style and finish of cabinet doors
- Panel thickness is ¾"
- Refer to Parts Directory for dimensions
- Not drilled for hinges

DMDW18
DMDW24
DMDW30
DMDW36
DMDW39
DMDW42

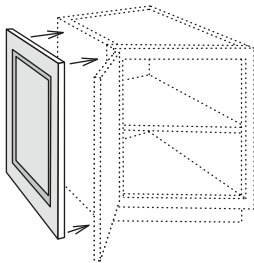
Decorator Matching Doors • Base Cabinets



- Furniture Ends Option (FE) or BEP34 panel is recommended for installation
- Attaches to side of 24" deep base cabinet
- Matches style and finish of cabinet doors
- Panel thickness is ¾"
- Refer to Parts Directory for dimensions
- Not drilled for hinges

DMDB

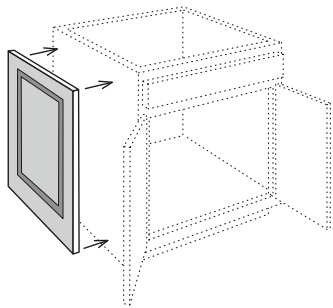
Decorator Matching Doors • Base End Angle Cabinets



- Furniture Ends Option (FE) or WEP42 panel is recommended for installation
- Attaches to side of BEA12 or BS2434
- Matches style and finish of cabinet doors
- Panel thickness is ¾"
- Refer to Parts Directory for dimensions
- Not drilled for hinges

DMDBEA12

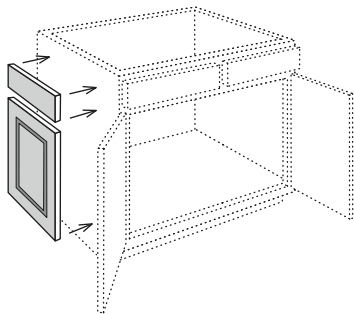
Decorator Matching Doors • Desk Cabinets



- Furniture Ends Option (FE) or BEP34 panel is recommended for installation
- Attaches to side of 21" or 24" deep desk cabinet
- Matches style and finish of cabinet doors
- Panel thickness is 3/4"
- Refer to Parts Directory for dimensions
- Not drilled for hinges

DMDD21
DMDD24

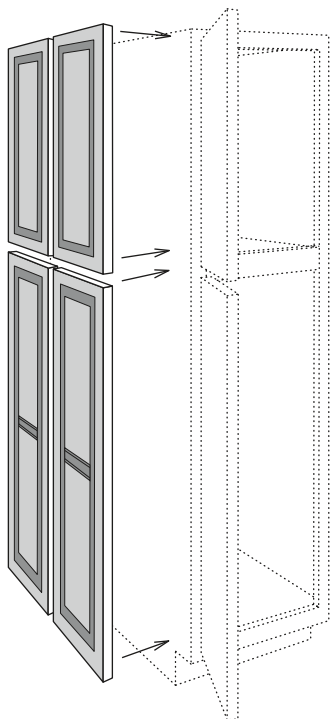
Decorator Matching Doors • Vanity Cabinet



- Furniture Ends Option (FE) or BEP34 panel is recommended for installation
- Attaches to side of 20 3/4" deep x 31 1/8" high vanity cabinet
 - » For 18" deep x 31 1/8" high vanity cabinets order DR1821V and DDF18
 - » For 20 3/4" deep x 34 1/2" high vanity cabinets order DR21FH ND (FOL) or DR2130 (POL)
 - » For 18" deep x 34 1/2" high vanity cabinets order DR18FH ND (FOL) or DR1830 (POL)
- Matches style and finish of cabinet doors
- Panel thickness is 3/4"
- Refer to Parts Directory for dimensions
- Not drilled for hinges

DMDV

Decorator Matching Doors • Tall Cabinets



24" Deep Shown

- Furniture Ends Option (FE) or TEP84/TEP96 panel is recommended for installation
- Attaches to side of utility or oven cabinet
- Matches style and finish of cabinet doors
- Panel thickness is 3/4"
- 24" deep features four doors (as shown)
- 12" deep features two doors
- Bottom doors have a center rail for select door styles - refer to door style section
- Refer to Parts Directory for dimensions
- Not drilled for hinges

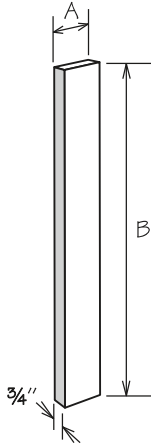
12" DEEP

DMDT8412
DMDT9012
DMDT9312
DMDT9612

24" DEEP

DMDT8424
DMDT9024
DMDT9324
DMDT9624

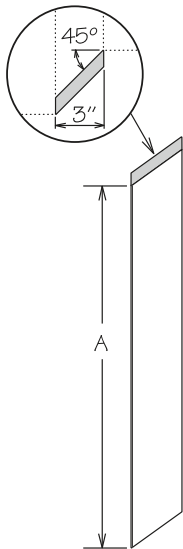
Universal Filler



- Wood fillers:
 - » 3/4" solid wood
 - » UF1__ and UF2__ are finished on front, one long, and both short edges to match cabinet box exterior
 - » UF3__, UF6__, and S3S__ are finished on front and all four edges to match cabinet box exterior
 - » S4S__ are finished on front, back, and all four edges to match cabinet box exterior
- Textured fillers:
 - » 3/4" engineered wood textured-wrapped on front and all four edges to match cabinet door
 - » Available in Breeze and Drift finishes only
- Field trimmable

WOOD	A	B	TEXTURED	A	B
UF1	1"	30 1/2"	S3S396 DT	3"	96"
UF2	2"	30 1/2"	S3S696 DT	6"	96"
UF3	3"	30 1/2"			
UF6	6"	30 1/2"			
UF142	1"	42 1/8"			
UF242	2"	42 1/8"			
UF342	3"	42 1/8"			
UF642	6"	42 1/8"			
UF380	3"	80"			
UF680	6"	80"			
UF392	3"	92"			
UF692	6"	92"			
S3S396	3"	96"			
S3S696	6"	96"			
S4S396	3"	96"			
S4S696	6"	96"			
UF3120	3"	120"			

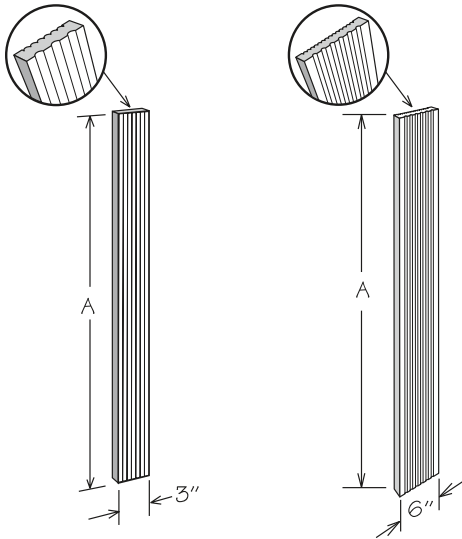
Universal Filler Extension



- 3/4" solid wood
- Finished on front and all four edges to match cabinet box exterior
- Field trimmable

	A
UF E3	30 1/2"
UF E342	42 1/8"

Fluted Beaded Filler • Reversible



- Filler is fluted on one side and beaded on reverse side
- Finished on all sides to match cabinet box exterior - glazed finishes will be glazed
- 3/4" solid wood
- Apply decorative blocks for accent
- Field trimmable
- Ensure correct side is exposed when installed

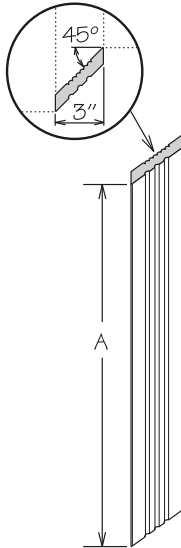
3" WIDE

	A
FBF3	30 1/2"
FBF342	42 1/8"
FBF384	84"
FBF396	96"

6" WIDE

FBF6	30 1/2"
FBF642	42 1/8"
FBF684	84"
FBF696	96"

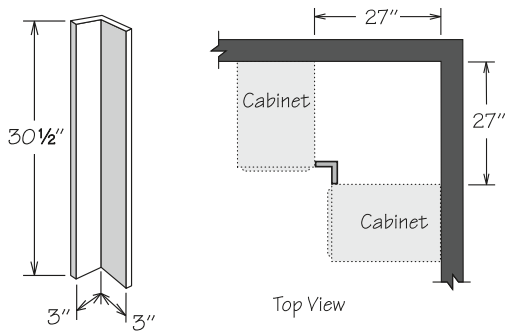
Fluted Beaded Filler Extension • Reversible



- For wall or base application
- Filler is fluted on one side and beaded on reverse side
- Finished all sides to match cabinet box exterior - glazed finishes will be glazed
- 3/4" solid wood
- Apply 3" wide decorative blocks for accent
- Field trimmable
- Ensure correct side is exposed when installed

	A
FBF E3	30 1/2"
FBF E342	42 1/8"

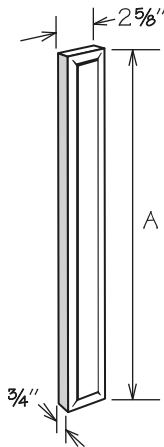
Base Corner Filler



- 3/4" solid wood
- Finished on front and all four edges to match cabinet box exterior
- Field trimmable

BCF27	
-------	--

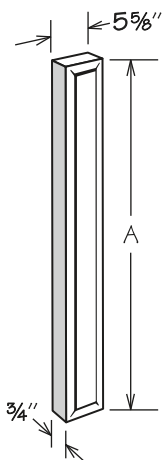
3" Overlay Filler



- For use with full overlay door styles only
- Outside profile matches outside profile of door – see next page for details
- Wood overlay fillers feature:
 - » Solid wood finished to match cabinet box exterior for Wood, Painted and Duraform Breeze and Drift door styles - glazed finishes will be glazed, excluding slab overlay profiles
 - » Duraform wrapped MDF for Duraform Espresso, Harbor, Linen and Stone door styles
- Textured overlay fillers feature textured wrapped engineered wood finished to match cabinet door - available for Breeze and Drift finishes only
- Finished on all edges
- Indicate door style when ordering
- Not field trimmable
- Must be mounted to a Universal Filler (order separately)

WOOD	TEXTURED	A
WOF312	WOF312 DT	11 9/16"
WOF315	WOF315 DT	14 9/16"
WOF318	WOF318 DT	17 9/16"
WOF321	WOF321 DT	20"
WOF324	WOF324 DT	23 7/8"
WOF327	WOF327 DT	26 1/2"
WOF330	WOF330 DT	29 1/2"
WOF336	WOF336 DT	35 1/2"
WOF339	WOF339 DT	38 1/2"
WOF342	WOF342 DT	41 1/2"
BOF3	BOF3 DT	29 7/8"
DOF3	DOF3 DT	23 7/8"
VOF3	VOF3 DT	26 1/2"
TOF384	TOF384 DT	79 3/8"
TOF390	TOF390 DT	85 3/8"
TOF393	TOF393 DT	88 3/8"
TOF396	TOF396 DT	91 3/8"

6" Overlay Filler



- WOF6_ are available for full overlay Duraform door styles only
- BOF6_ available for full overlay door styles only
- Outside profile matches outside profile of door – see next page for details
- Wood overlay fillers feature:
 - » Solid wood finished to match cabinet box exterior for Wood, Painted and Duraform Breeze and Drift door styles - glazed finishes will be glazed, excluding slab overlay profiles
 - » Duraform wrapped engineered wood for Duraform Espresso, Harbor, Linen and Stone door styles
- Textured overlay fillers feature textured wrapped engineered wood finished to match cabinet door - available for Breeze and Drift finishes only
- Finished on all edges
- Indicate door style when ordering
- Not field trimmable
- Must be mounted to a Universal Filler (order separately)

DURAFORM	WOOD	TEXTURED	A
BOF6	BOF6	BOF6 DT	29 7/8"
WOF630	—	—	29 1/2"
WOF636	—	—	35 1/2"
WOF639	—	—	38 1/2"
WOF642	—	—	41 1/2"

Overlay Filler Profiles

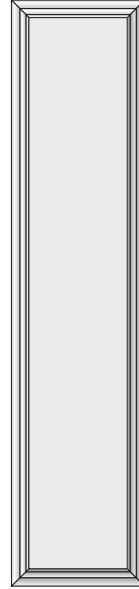
PROFILE FOR:

- Durango
- Elderidge



PROFILE FOR:

- Abilene



PROFILE FOR:

- Clayton

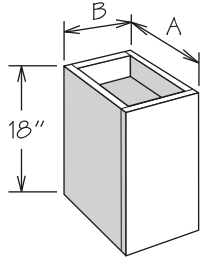


PROFILE FOR:

- Bandera
- Belcourt
- Canyon
- Cooper
- Denver
- Lubbock
- Oxridge



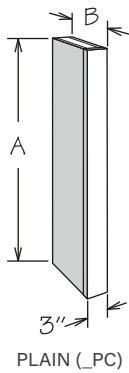
Plain Box Filler



- Veneered engineered wood finished to match cabinet box exterior
- Features 1/4" reveal
- Trimmable in height to 14 1/8" tall
- Reversible for left or right installation
- Finished to match cabinet box exterior

	A	B
WPB91815	15"	9"
WPB121815	15"	12"
WPB91824	24"	9"
WPB121824	24"	12"

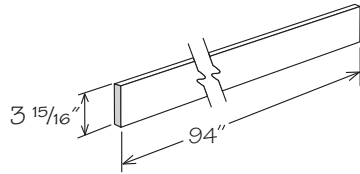
Column Filler



- Veneered engineered wood finished to match cabinet box exterior - glazed finishes will be glazed, excluding Plain Column Fillers
- 3" wide x 3/4" thick solid wood front
- Sides are flush with face
- Reversible for left or right installation
- Top and bottom edges of returns are edge banded
- Apply overlay filler or 3" wide decorative blocks for accent
- Field trimmable to any depth
- Field trimmable in height noted below:
 - » WPC31530 field trimmable to 27 1/8", 24 1/2", 20 5/8" 18 1/8", 15 1/8", or 12 1/8"
 - » WPC31542 field trimmable to 39 1/8" or 36 1/8"
 - » WPC31560 field trimmable to 54" or 48"
 - » BPC32734 field trimmable to 31 1/8" or 28 1/2"
 - » TPC32796 field trimmable to 93" or 90"
 - » TPC32784 not trimmable in height

PLAIN	A	B
Wall		
WPC31530	30 1/8"	15"
WPC31542	42 1/8"	15"
WPC31560	60"	15"
Base		
BPC32734	34 1/2"	27"
Tall		
TPC32784	84"	27"
TPC32796	96"	27"

Base Toe Kick



- Wood door styles feature 3/4" plywood, with vertical grain, finished on one side to match cabinet box exterior
- Duraform and Painted door styles feature 3/4" engineered wood finished on one side to match cabinet box exterior
- Textured toe kicks feature textured-wrapped 3/4" engineered wood finished on one side to match cabinet door - available for Breeze and Drift finishes only
- Putty Stick and Touch Up Marker are recommended for exposed ends
- Field trimmable

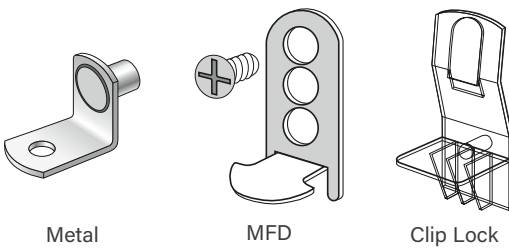
WOOD

BTK8

TEXTURED

BTK8 DT

Shelf Rests

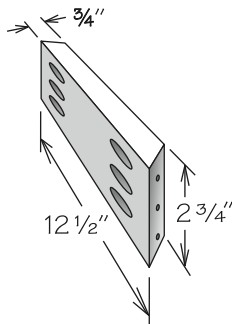


- Metal and MFD shelf rests are nickel plated steel
- MFD shelf rests are six position adjustable for alignment of shelf with mullion
- Clip Lock shelf rests are molded clear high-strength polycarbonate

	QTY.
Bookshelves & Wall Shelves	
SHELF REST METAL 4PK	4
SHELF REST METAL 12	12
Mullion Frame Cabinet Shelves	
SHELF REST MFD PK	8
1/2" Base Shelves	
CLIP LOCK SHELF 4 PK	4
3/4" Base & Tall Shelves	
CLIP LOCK SHELF 3/4 4 PK	4

Table Skirting Furniture Bracket

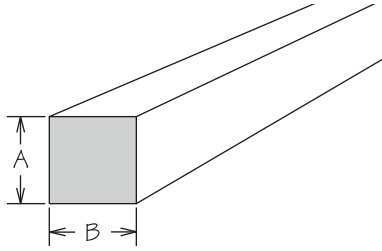
NEW! PRODUCT



- Bracket used to attach table apron at corners
- Made of solid wood
- Accommodates 3" and 4 1/2" decorative legs
- Ships with screws

TSFB

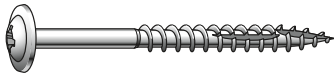
Cleat



- HWC 3/4X3/4X94 is shipped in two 47" long pieces
- HWC 1/2X1/2X94 is shipped in three 30½" long pieces
- Unfinished

	A	B	LENGTH
HWC 1/2X1/2X94	½"	½"	91½"
HWC 3/4X3/4X94	¾"	¾"	94"
HWC 1X2X94	¾"	1½"	94"
HWC 2X4X96	1½"	3½"	96"

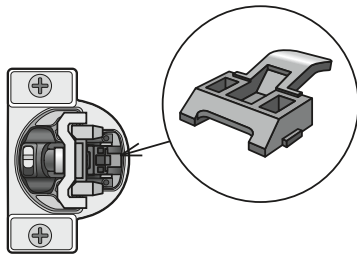
Screws & Cover Caps



- Installation screws are Phillips panhead 2½" long
- Cover caps are used to conceal predrilled holes in cabinet backs

	QTY.
SCREW INST 2.5 BX100	100
COVER CAP 10MM TAN 4	4

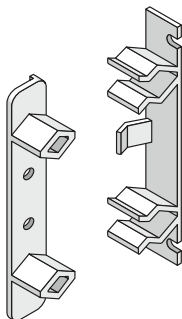
Hinge Restriction Clip



- Limits door opening to 86° to avoid contact with adjacent objects
- For use on CushionClose hinges only
- HINGE CC RES CLP SAL for use on Belcourt door styles
- HINGE CC ANG RES CLP for use on all door styles excluding Belcourt door styles
- Package includes 10 per bag (1 required per hinge)
- Cannot be used on cabinets with roll out accessories

HINGE CC ANG RES CLP
HINGE CC RES CLP SAL

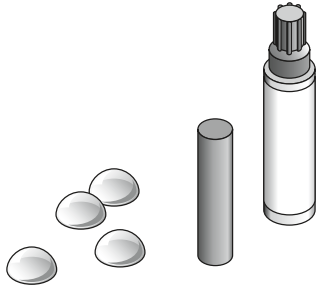
Dummy Drawer Front Fastener



- For installation of one dummy drawer front
- Kit contents:
 - » Two sets of DDF Fasteners
 - » Eight screws
 - » One instruction sheet
- Please refer to cabinet specifications as some cabinets will require more than one kit

DDF FASTENER

Touch Up Kit



- Kit for repairing minor dents, gouges, scratches, and surface imperfections includes:
 - » Putty Stick
 - » Touch Up Marker
 - » Door bumpers
- Instructions printed on bag

TOUCHUP KIT

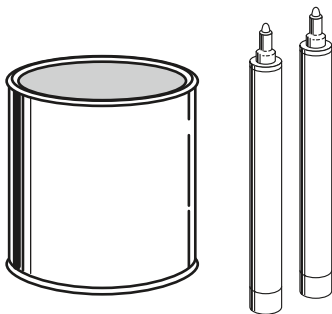
Spray Stain



- SPRAY STAIN TINTED available for all finishes - Duraform Breeze and Drift will match cabinet box exterior
- SPRAY STAIN CLEAR strongly recommended for use as top coat for all finishes
- Indicate species and finish when ordering
- 11 ounce aerosol spray can

SPRAY STAIN CLEAR
SPRAY STAIN TINTED

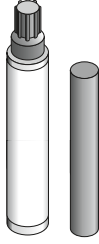
Stain



- STAIN PINT (QUART) used for all non-glazed stains and non-glazed painted finishes
- STAIN GLAZED PINT (QUART) used for all glazed stains and glazed painted finishes
- STAIN TOP COAT strongly recommended for application over ALL finishes (order separately)
- STAIN GLAZED includes STAIN PINT and two STAIN GLAZED PENS per pint
- STAIN GLAZED PENS available for order separately (quantity of two)
- Indicate species and finish when ordering
- Stain for Duraform Breeze and Drift will match the cabinet box exterior
- PINT covers approximately 40 square feet
- QUART covers approximately 80 square feet
- Instructions included

STAIN PINT
STAIN QUART
STAIN GLAZED PINT
STAIN GLAZED QUART
STAIN GLAZED PENS
STAIN TOP COAT PINT
STAIN TOP COAT QUART

Putty Stick & Marker



- Indicate species and finish when ordering
 - » Touch-Up Markers and Putty Sticks for Duraform Breeze and Drift will match the cabinet box exterior
- TU MARKER EXTERIOR for use on all stains and Premium finishes
- TU MARKER EXT GLAZE for use on all Glazed Premium finishes - includes markers for both glazed and non-glazed surfaces
- Putty Sticks are recommended for filling minor dents, gouges and scratches made during or after installation
- Touch-Up Markers add color to minor surface scratches

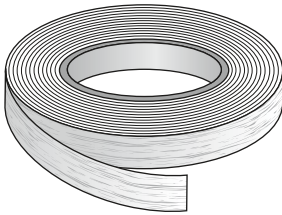
PUTTY STICK

PUTTY STICK EXTERIOR
PUTTY STICK INTERIOR

TOUCH-UP MARKER

TU MARKER EXTERIOR
TU MARKER EXT GLAZE
TU MARKER DURAFORM
TU MARKER INTERIOR

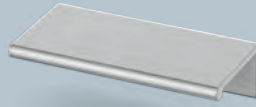
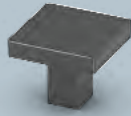
Edge Banding • Textured



- Available for Breeze and Drift finishes only
- Tape is required for edge band installation
- Trimmable

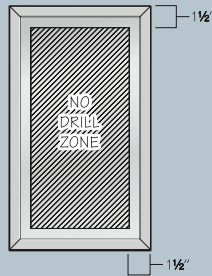
	HEIGHT	LENGTH
EDGE BAND 25 DT	7/8"	25'
EDGE BAND TAPE 50	1"	50'

DECORATIVE HARDWARE



DRILLING RESTRICTIONS AND NOTES

- 1951 Cabinetry does not recommend drilling through any door/drawer joint for installation of decorative hardware.
- Door and drawer fronts must be adjusted before installing decorative hardware.
- Belcourt door styles cannot be drilled more than 1 1/2" from all edges of doors.



RESTRICTION KEY

- NR12** Not recommended on regular 12" drawers
- NR15** Not recommended on regular drawers 15" or 12"
- NR18** Not recommended on regular drawers 18", 15" or 12"
- NR12LG** Not recommended on large 12" drawers
- NR15LG** Not recommended on large 15" or 12" drawers
- NR18LG** Not recommended on large 18", 15" or 12" drawers
- NR21LG** Not recommended on large 21", 18", 15" or 12" drawers
- NRKDC** Not recommended kneehole drawers
- NR** Not recommended for any size drawer

Some decorative hardware has restrictions for use on certain door styles which will be indicated with restriction-specific icons followed by the door style(s) that have the restriction. Restrictions may differ on regular and large drawer fronts based on center panel dimensions for each door style.

HARDWARE RESTRICTION EXAMPLE

- NR12** Carson DFO, Canyon, Clayton DFO, Cooper DFO, Denver DFO,
- NR12LG** Canyon DFO, Carson DFO, Clayton DFO, Durango
- NR15LG** Elderidge

EXPLANATION: This specific hardware is not recommended on:

- 12" regular drawer fronts for the Canyon DFO, Carson DFO, Clayton DFO, Cooper DFO and Denver DFO door styles
- 12" large drawer fronts for the Canyon DFO, Carson DFO, Clayton DFO and Durango door styles
- 15" or 12" large drawer fronts for the Elderidge door style

Antic



**Antic Pull
Polished Chrome**
PULL 6797PC
128mm Center
Overall Length: 5 13/16"



**Antic Pull
Satin Nickel**
PULL 6797SN
128mm Center
Overall Length: 5 13/16"



**Antic Pull
Vintage Nickel**
PULL 6797VN
128mm Center
Overall Length: 5 13/16"



**Antic Pull
Modern Brushed Gold**
PULL 6797MG
128mm Center
Overall Length: 5 13/16"



**Antic Pull
Matte Black**
PULL 6797MB
128mm Center
Overall Length: 5 13/16"

NR12 Belcourt DFO, Canyon DFO, Clayton DFO

NR12LG Bandera DFO, Canyon DFO, Carson DFO, Clayton DFO, Durango, Elderidge, Oxridge DFO



**Antic Knob
Polished Chrome**
KNOB 6798PC



**Antic Knob
Satin Nickel**
KNOB 6798SN



**Antic Knob
Vintage Nickel**
KNOB 6798VN



**Antic Knob
Modern Brushed Gold**
KNOB 6798MG



**Antic Knob
Matte Black**
KNOB 6798MB

Briolette



**Briolette Pull
Polished Chrome**
PULL 2272PC
128mm Center
Overall Length: 5 3/4"



**Briolette Pull
Satin Nickel**
PULL 2272SN
128mm Center
Overall Length: 5 3/4"



**Briolette Pull
Modern Brushed Gold**
PULL 2272MG
128mm Center
Overall Length: 5 3/4"



**Briolette Pull
Brushed Copper**
PULL 2272CP
128mm Center
Overall Length: 5 3/4"



**Briolette Pull
Matte Black**
PULL 2272MB
128mm Center
Overall Length: 5 3/4"

NR12 Canyon DFO, Clayton DFO

NR12LG Bandera DFO, Canyon DFO, Carson DFO, Clayton DFO, Durango, Elderidge, Oxridge DFO



**Briolette Knob
Polished Chrome**
KNOB 2271PC



**Briolette Knob
Satin Nickel**
KNOB 2271SN



**Briolette Knob
Modern Brushed Gold**
KNOB 2271MG



**Briolette Knob
Brushed Copper**
KNOB 2271CP



**Briolette Knob
Matte Black**
KNOB 2271MB

Radiant



**Radiant Pull
Satin Nickel**
PULL 0318SN
128mm Center
Overall Length: 5 3/4"



**Radiant Pull
Weathered Nickel**
PULL 0318WN
128mm Center
Overall Length: 5 3/4"



**Radiant Pull
Modern Brushed Gold**
PULL 0318MG
128mm Center
Overall Length: 5 3/4"



**Radiant Pull
Verona Bronze**
PULL 0318VB
128mm Center
Overall Length: 5 3/4"



**Radiant Pull
Matte Black**
PULL 0318MB
128mm Center
Overall Length: 5 3/4"

NR12 Canyon DFO, Clayton DFO

NR12LG Bandera DFO, Canyon DFO, Carson DFO, Clayton DFO, Durango, Elderidge, Oxridge DFO



**Radiant Knob
Satin Nickel**
KNOB 0319SN



**Radiant Knob
Weathered Nickel**
KNOB 0319WN



**Radiant Knob
Modern Brushed Gold**
KNOB 0319MG



**Radiant Knob
Verona Bronze**
KNOB 0319VB



**Radiant Knob
Matte Black**
KNOB 0319MB

Trillion



**Trillion Pull
Polished Chrome**
PULL 0875PC
128mm Center
Overall Length: 5 1/2"



**Trillion Pull
Satin Nickel**
PULL 0875SN
128mm Center
Overall Length: 5 1/2"



**Trillion Pull
Vintage Nickel**
PULL 0875VN
128mm Center
Overall Length: 5 1/2"



**Trillion Pull
Modern Brushed Gold**
PULL 0875MG
128mm Center
Overall Length: 5 1/2"



**Trillion Pull
Matte Black**
PULL 0875MB
128mm Center
Overall Length: 5 1/2"

NR12 Canyon DFO

NR12LG Bandera DFO, Canyon DFO, Carson DFO



**Trillion Knob
Polished Chrome**
KNOB 0876PC



**Trillion Knob
Satin Nickel**
KNOB 0876SN



**Trillion Knob
Vintage Nickel**
KNOB 0876VN



**Trillion Knob
Modern Brushed Gold**
KNOB 0876MG



**Trillion Knob
Matte Black**
KNOB 0876MB

Marquise



Marquise Pull - 6 ⁷/₈"
Polished Chrome
 PULL 4213PC
 160mm Center
 Overall Length: 6 ⁷/₈"



Marquise Pull - 6 ⁷/₈"
Satin Nickel
 PULL 4213SN
 160mm Center
 Overall Length: 6 ⁷/₈"



Marquise Pull - 6 ⁷/₈"
Modern Brushed Gold
 PULL 4213MG
 160mm Center
 Overall Length: 6 ⁷/₈"



Marquise Pull - 6 ⁷/₈"
Brushed Copper
 PULL 4213CP
 160mm Center
 Overall Length: 6 ⁷/₈"



Marquise Pull - 6 ⁷/₈"
Matte Black
 PULL 4213MB
 160mm Center
 Overall Length: 6 ⁷/₈"

NR12 Bandera DFO, Canyon DFO, Carson DFO, Clayton DFO, Cooper DFO, Elderidge, Denver DFO

NR12LG Bandera DFO, Canyon DFO, Carson DFO, Clayton DFO, Cooper DFO, Denver DFO, Durango, Oxridge DFO

NR15LG Elderidge



Marquise Pull - 5 ⁹/₁₆"
Polished Chrome
 PULL 4212PC
 128mm Center
 Overall Length: 5 ⁹/₁₆"



Marquise Pull - 5 ⁹/₁₆"
Satin Nickel
 PULL 4212SN
 128mm Center
 Overall Length: 5 ⁹/₁₆"



Marquise Pull - 5 ⁹/₁₆"
Modern Brushed Gold
 PULL 4212MG
 128mm Center
 Overall Length: 5 ⁹/₁₆"



Marquise Pull - 5 ⁹/₁₆"
Brushed Copper
 PULL 4212CP
 128mm Center
 Overall Length: 5 ⁹/₁₆"



Marquise Pull - 5 ⁹/₁₆"
Matte Black
 PULL 4212MB
 128mm Center
 Overall Length: 5 ⁹/₁₆"

NR12 Canyon DFO, Clayton DFO

NR12LG Bandera DFO, Canyon DFO, Carson DFO, Clayton DFO, Durango, Elderidge, Oxridge DFO

Halo



Halo Knob
Polished Chrome
 KNOB 3106PC



Halo Knob
Satin Nickel
 KNOB 3106SN



Halo Knob
Modern Brushed Gold
 KNOB 3106MG



Halo Knob
Brushed Copper
 KNOB 3106CP



Halo Knob
Matte Black
 KNOB 3106MB

Rectangular



**Rectangular Pull
Polished Chrome**
PULL 3502PC
96mm Center
Overall Length: 4¹³/₁₆"



**Rectangular Pull
Satin Nickel**
PULL 3502SN
96mm Center
Overall Length: 4¹³/₁₆"



**Rectangular Pull
Vintage Nickel**
PULL 3502VN
96mm Center
Overall Length: 4¹³/₁₆"



**Rectangular Pull
Modern Brushed Gold**
PULL 3502MG
96mm Center
Overall Length: 4¹³/₁₆"



**Rectangular Pull
Matte Black**
PULL 3502MB
96mm Center
Overall Length: 4¹³/₁₆"

NR12LG Clayton DFO, Elderidge



**Rectangular Knob
Polished Chrome**
KNOB 3503PC



**Rectangular Knob
Satin Nickel**
KNOB 3503SN



**Rectangular Knob
Vintage Nickel**
KNOB 3503VN



**Rectangular Knob
Modern Brushed Gold**
KNOB 3503MG



**Rectangular Knob
Matte Black**
KNOB 3503MB

Beaded



**Beaded Pull
Satin Nickel**
PULL 3562SN
96mm Center
Overall Length: 4¹/₂"



**Beaded Pull
Weathered Nickel**
PULL 3562WN
96mm Center
Overall Length: 4¹/₂"



**Beaded Pull
Modern Brushed Gold**
PULL 3562MG
96mm Center
Overall Length: 4¹/₂"



**Beaded Pull
Verona Bronze**
PULL 3562VB
96mm Center
Overall Length: 4¹/₂"



**Beaded Pull
Matte Black**
PULL 3562MB
96mm Center
Overall Length: 4¹/₂"

NR12LG Elderidge

Stamped



**Stamped Knob
Satin Nickel**
KNOB 3563SN



**Stamped Knob
Weathered Nickel**
KNOB 3563WN



**Stamped Knob
Modern Brushed Gold**
KNOB 3563MG



**Stamped Knob
Verona Bronze**
KNOB 3563VB



**Stamped Knob
Matte Black**
KNOB 3563MB

Bow



Bow Pull - 7 13/16"
Polished Chrome
 PULL 3129PC
 5" Center
 Overall Length: 7 13/16"

Bow Pull - 7 13/16"
Satin Nickel
 PULL 3129SN
 5" Center
 Overall Length: 7 13/16"

Bow Pull - 7 13/16"
Modern Brushed Gold
 PULL 3129MG
 5" Center
 Overall Length: 7 13/16"

Bow Pull - 7 13/16"
Brushed Copper
 PULL 3129CP
 5" Center
 Overall Length: 7 13/16"

Bow Pull - 7 13/16"
Matte Black
 PULL 3129MB
 5" Center
 Overall Length: 7 13/16"

NR12 Bandera DFO, Canyon DFO, Carson DFO, Clayton DFO, Cooper DFO, Denver DFO, Durango, Elderidge, Oxridge DFO

NR12LG Bandera DFO, Canyon DFO, Carson DFO, Clayton DFO, Cooper DFO, Denver DFO, Durango, Oxridge DFO

NR15LG Elderidge



Bow Pull - 6 3/16"
Polished Chrome
 PULL 3128PC
 96mm Center
 Overall Length: 6 3/16"

Bow Pull - 6 3/16"
Satin Nickel
 PULL 3128SN
 96mm Center
 Overall Length: 6 3/16"

Bow Pull - 6 3/16"
Modern Brushed Gold
 PULL 3128MG
 96mm Center
 Overall Length: 6 3/16"

Bow Pull - 6 3/16"
Brushed Copper
 PULL 3128CP
 96mm Center
 Overall Length: 6 3/16"

Bow Pull - 6 3/16"
Matte Black
 PULL 3128MB
 96mm Center
 Overall Length: 6 3/16"

NR12 Bandera DFO, Canyon DFO, Clayton DFO

NR12LG Bandera DFO, Canyon DFO, Carson DFO, Clayton DFO, Durango, Oxridge DFO

Tempo



Tempo Pull
Polished Chrome
 PULL 0323PC
 128mm Center
 Overall Length: 5 7/16"

Tempo Pull
Satin Nickel
 PULL 0323SN
 128mm Center
 Overall Length: 5 7/16"

Tempo Pull
Modern Brushed Gold
 PULL 0323MG
 128mm Center
 Overall Length: 5 7/16"

Tempo Pull
Brushed Copper
 PULL 0323CP
 128mm Center
 Overall Length: 5 7/16"

Tempo Pull
Matte Black
 PULL 0323MB
 128mm Center
 Overall Length: 5 7/16"

NR12 Canyon DFO

NR12LG Bandera DFO, Canyon DFO, Carson DFO, Elderidge



Tempo Knob
Polished Chrome
 KNOB 0322PC



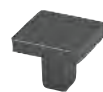
Tempo Knob
Satin Nickel
 KNOB 0322SN



Tempo Knob
Modern Brushed Gold
 KNOB 0322MG



Tempo Knob
Brushed Copper
 KNOB 0322CP



Tempo Knob
Matte Black
 KNOB 0322MB

Cup



**Cup Pull
Satin Nickel**
PULL 3105SN
3" Center
Overall Length: 4 5/8"



**Cup Pull
Weathered Nickel**
PULL 3105WN
3" Center
Overall Length: 4 5/8"



**Cup Pull
Modern Brushed Gold**
PULL 3105MG
3" Center
Overall Length: 4 5/8"



**Cup Pull
Verona Bronze**
PULL 3105VB
3" Center
Overall Length: 4 5/8"



**Cup Pull
Matte Black**
PULL 3105MB
3" Center
Overall Length: 4 5/8"

NR Bandera DFO, Belcourt (doors only), Clayton DFO, Elderidge

NRKDC Canyon DFO, Cooper DFO, Denver DFO

Classic



**Classic Pull
Satin Nickel**
PULL 3172SN
3" Center
Overall Length: 5 5/8"



**Classic Pull
Verona Bronze**
PULL 3172VB
3" Center
Overall Length: 5 5/8"



**Classic Pull
Matte Black**
PULL 3172MB
3" Center
Overall Length: 5 5/8"

NR12LG Bandera DFO, Elderidge



**Classic Knob
Satin Nickel**
KNOB 3173SN



**Classic Knob
Weathered Nickel**
KNOB 3173WN



**Classic Knob
Modern Brushed Gold**
KNOB 3173MG



**Classic Knob
Verona Bronze**
KNOB 3173VB



**Classic Knob
Matte Black**
KNOB 3173MB

Toggle



**Toggle Knob
Satin Nickel**
KNOB 3239SN



**Toggle Knob
Verona Bronze**
KNOB 3239VB



**Toggle Knob
Matte Black**
KNOB 3239MB

Twisted Crescent



Twisted Crescent Pull
Satin Nickel
PULL 3122SN

96mm Center • Overall Length: 5 1/8"



Twisted Crescent Pull
Verona Bronze
PULL 3122VB

96mm Center • Overall Length: 5 1/8"



Twisted Crescent Pull
Matte Black
PULL 3122MB

96mm Center • Overall Length: 5 1/8"

NR12LG Bandera DFO, Elderidge

Button



Button Knob
Satin Nickel
KNOB 3213SN



Button Knob
Verona Bronze
KNOB 3213VB



Button Knob
Matte Black
KNOB 3213MB

Ringed



Ringed Arch Pull
Satin Nickel
PULL 3672SN

3" Center • Overall Length: 5 1/2"



Ringed Arch Pull
Verona Bronze
PULL 3672VB

3" Center • Overall Length: 5 1/2"



Ringed Arch Pull
Matte Black
PULL 3672MB

3" Center • Overall Length: 5 1/2"

NR12 Canyon DFO

NR12LG Bandera DFO, Canyon DFO, Elderidge



Ringed Knob
Satin Nickel
KNOB 3673SN

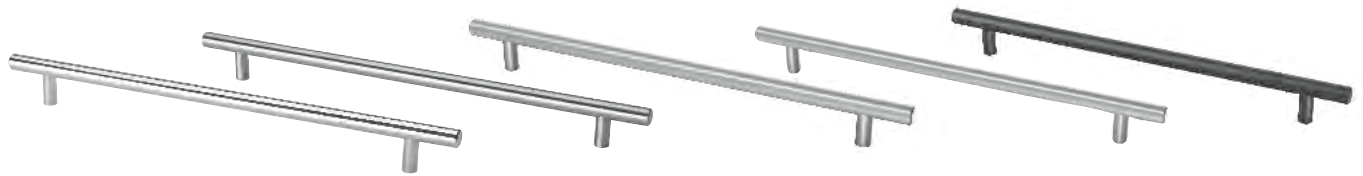


Ringed Knob
Verona Bronze
KNOB 3673VB



Ringed Knob
Matte Black
KNOB 3673MB

T-Bar



T-Bar Pull - 12⁷/₁₆"
Polished Chrome
 PULL 4730PC
 256mm Center
 Overall Length: 12⁷/₁₆"

T-Bar Pull - 12⁷/₁₆"
Satin Nickel
 PULL 4730SN
 256mm Center
 Overall Length: 12⁷/₁₆"

T-Bar Pull - 12⁷/₁₆"
Modern Brushed Gold
 PULL 4730MG
 256mm Center
 Overall Length: 12⁷/₁₆"

T-Bar Pull - 12⁷/₁₆"
Brushed Copper
 PULL 4730CP
 256mm Center
 Overall Length: 12⁷/₁₆"

T-Bar Pull - 12⁷/₁₆"
Matte Black
 PULL 4730MB
 256mm Center
 Overall Length: 12⁷/₁₆"

NR12	Any door style
NR15	Abilene DFO, Canyon DFO, Carson DFO, Clayton DFO, Cooper DFO, Denver DFO, Elderidge, Oxridge DFO
NR18	Bandera DFO
NR12LG	Any door style
NR15LG	Abilene DFO, Canyon DFO, Clayton DFO, Cooper DFO, Denver DFO, Durango, Oxridge DFO
NR18LG	Bandera DFO, Carson DFO



T-Bar Pull - 8⁵/₁₆"
Polished Chrome
 PULL 4712PC
 160mm Center
 Overall Length: 8⁵/₁₆"

T-Bar Pull - 8⁵/₁₆"
Satin Nickel
 PULL 4712SN
 160mm Center
 Overall Length: 8⁵/₁₆"

T-Bar Pull - 8⁵/₁₆"
Modern Brushed Gold
 PULL 4712MG
 160mm Center
 Overall Length: 8⁵/₁₆"

T-Bar Pull - 8⁵/₁₆"
Brushed Copper
 PULL 4712CP
 160mm Center
 Overall Length: 8⁵/₁₆"

T-Bar Pull - 8⁵/₁₆"
Matte Black
 PULL 4712MB
 160mm Center
 Overall Length: 8⁵/₁₆"

NR12	Abilene DFO, Bandera DFO, Carson DFO, Clayton DFO, Cooper DFO, Denver DFO, Elderidge, Oxridge DFO
NR15	Canyon DFO
NR12LG	Abilene DFO, Bandera DFO, Cooper DFO, Clayton DFO, Denver DFO, Durango, Oxridge DFO
NR15LG	Canyon DFO, Carson DFO, Elderidge



T-Bar Pull - 5⁵/₁₆"
Polished Chrome
 PULL 4701PC
 3" Center
 Overall Length: 5⁵/₁₆"

T-Bar Pull - 5⁵/₁₆"
Satin Nickel
 PULL 4701SN
 3" Center
 Overall Length: 5⁵/₁₆"

T-Bar Pull - 5⁵/₁₆"
Modern Brushed Gold
 PULL 4701MG
 3" Center
 Overall Length: 5⁵/₁₆"

T-Bar Pull - 5⁵/₁₆"
Brushed Copper
 PULL 4701CP
 3" Center
 Overall Length: 5⁵/₁₆"

T-Bar Pull - 5⁵/₁₆"
Matte Black
 PULL 4701MB
 3" Center
 Overall Length: 5⁵/₁₆"

NR12LG	Elderidge
---------------	-----------



T-Bar Knob
Polished Chrome
 KNOB 4703PC

T-Bar Knob
Satin Nickel
 KNOB 4703SN

T-Bar Knob
Modern Brushed Gold
 KNOB 4703MG

T-Bar Knob
Brushed Copper
 KNOB 4703CP

T-Bar Knob
Matte Black
 KNOB 4703MB

Tab



Tab Pull - 6"
Polished Chrome
 PULL 1060PC
 Overall Length: 6"



Tab Pull - 6"
Satin Nickel
 PULL 1060SN
 Overall Length: 6"



Tab Pull - 6"
Modern Brushed Gold
 PULL 1060MG
 Overall Length: 6"



Tab Pull - 6"
Brushed Copper
 PULL 1060CP
 Overall Length: 6"



Tab Pull - 6"
Matte Black
 PULL 1060MB
 Overall Length: 6"



Tab Pull - 3"
Polished Chrome
 PULL 1055PC
 Overall Length: 3"



Tab Pull - 3"
Satin Nickel
 PULL 1055SN
 Overall Length: 3"



Tab Pull - 3"
Modern Brushed Gold
 PULL 1055MG
 Overall Length: 3"



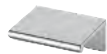
Tab Pull - 3"
Brushed Copper
 PULL 1055CP
 Overall Length: 3"



Tab Pull - 3"
Matte Black
 PULL 1055MB
 Overall Length: 3"



Tab Pull - 1 3/4"
Polished Chrome
 PULL 1050PC
 Overall Length: 1 3/4"



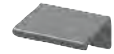
Tab Pull - 1 3/4"
Satin Nickel
 PULL 1050SN
 Overall Length: 1 3/4"



Tab Pull - 1 3/4"
Modern Brushed Gold
 PULL 1050MG
 Overall Length: 1 3/4"



Tab Pull - 1 3/4"
Brushed Copper
 PULL 1050CP
 Overall Length: 1 3/4"



Tab Pull - 1 3/4"
Matte Black
 PULL 1050MB
 Overall Length: 1 3/4"

Coat Hooks

NEW!

FINISHES



Brushed Gold
 HOOK BG
 3 1/8" Deep • 4" High



Satin Nickel
 HOOK SN
 3 1/8" Deep • 4" High

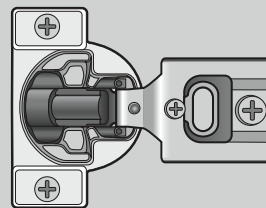
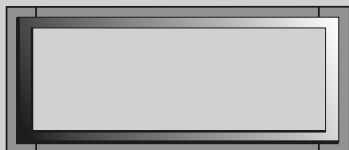
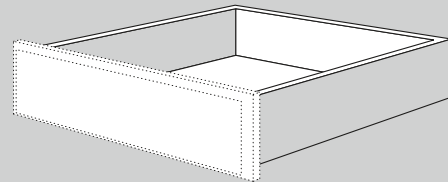
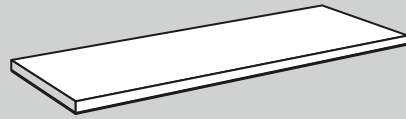
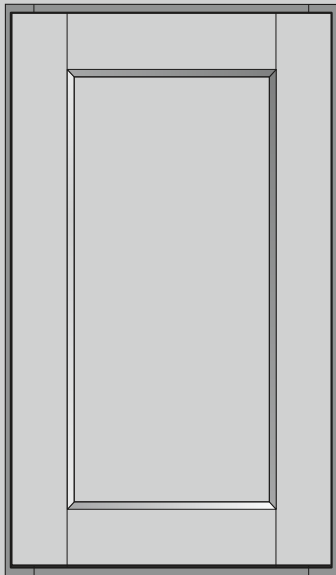


Verona Bronze
 HOOK VB
 3 1/8" Deep • 4" High



Matte Black
 HOOK MB
 3 1/8" Deep • 4" High

PARTS DIRECTORY



Legend

DOOR NOMENCLATURE LEGEND

Description:		Examples:
DR_	Door - must be ordered as hinged left, right or no drill	SKU: DR1230 Option: Left Hinge
DR_SD	Specialty Door - must be ordered as Mullion Frame or Open Frame and as hinged left, right, or no drill	SKU: DR1230 SD Option: OFD - Open Frame Door Option: Left Hinge
DR_FH	Full-Height Door - used for Full-Height Base, Full-Height Peninsula Base and Full-Height Vanity Base cabinets and must be ordered as hinged left, right, or no drill	SKU: DR15 FH Option: Left Hinge
DR__V	Standard Height Vanity Door - must be ordered as hinged left, right, or no drill	SKU: DR1821V Option: Right Hinge

DRAWER/PANEL FRONT NOMENCLATURE

Description:		Examples:
DDF__	Drawer Front - used for Base, Desk, Oven or Vanity standard cabinet drawer	DDF12
DDF__D	Large Drawer Front - used for Partial Overlay Base, Desk, Oven or Vanity large cabinet drawer	DDF12D
DDF__M	Large Drawer Front - used for Full Overlay Base, Desk, Oven or Vanity large cabinet drawer	DDF12M
DDF__VD	Vanity Large Drawer Front - used for Full Overlay Vanity large cabinet drawer	DDF12VD
DDFOV__	Drawer Front for Full Overlay Oven cabinet	DDFOV33
DDFKDC__	Kneehole Drawer Front - used for Kneehole cabinet drawer	DDFKDC27/21

DRAWER BODY NOMENCLATURE

Description:		Examples:
DRB__DT FD	Upgraded Dovetail Drawer Box - for use with full-extension hidden glides	DRB12 X 21DP DT FD
DRB__DT SG	Dovetail Drawer Box with side-mounted drawer glides	DRB12 X 18DP DT SG
DRB__SG	Engineered Wood Drawer Box with side-mounted drawer glides	DRB12 X 18DP SG
DRB__M DT FD	Large upgraded Dovetail Drawer Box - for use with full-extension hidden glides	DRB12M X 21DP DT FD
DRB__M DT SG	Large Dovetail Drawer Box with side-mounted drawer glides	DRB12M X 18DP DT SG
DRB__M SG	Large Engineered Wood Drawer Box with side-mounted drawer glides	DRB12M X 18DP SG

ADJUSTABLE SHELVING NOMENCLATURE

Description:		Examples:
__" SHELF ¾	¾" Adjustable Shelf - used for standard construction Wall, Desk, Base cabinets with standard interior	12" SHELF ¾
__" SHELF MI	For standard construction Matching Interior ¾" Adjustable Shelf	12" SHELF MI
__" SHELF PLY	For All Plywood Construction ¾" Adjustable Shelf NOTE: All Base Cabinet shelves with the All Plywood Construction Option will default to 24" deep	12" SHELF PLY 12" SHELF 24DP PLY
__" SHELF MI PLY	For All Plywood Construction ¾" Matching Interior Adjustable Shelf	12" SHELF MI PLY
S __	¾" Adjustable Shelf - used for standard construction Utility, Oven or Vanity Linen cabinets with standard interior	S3024
	¾" Adjustable Shelf - used for Utility, Oven and Vanity Linen cabinets NOTE: For Matching Interior and/or All Plywood Construction, shelf needs to be upgraded using the MI and/or APC construction options	SKU: S3024 Option: MI - Matching Interior AND/OR Option: APC - All Plywood Construction

Adjustable Shelving Notes:

Microwave Wall Cabinet replacement shelves feature Matching Interior standard

Contents

WALL CABINETS

Standard Wall	216
Wall With Spice Rack	217
Blind Wall, Wall End Angle	218
Wall Top Hinge, Corner Wall, Refrigerator Wall	219
Appliance Garage	220
Microwave Wall, Compact Microwave Wall, Wall Range Hood, Wall Easy Reach	221

BASE CABINETS

Standard Base, Base With Sliding Shelves, Base With Pot & Pan Organizer	222
Peninsula Base, Blind Corner, Base With Drawer Accessory	223
Base With Roll Out Tray Divider, Base With Wastebasket(s), Blind Peninsula Corner	225
Full-Height Base, Full-Height Base With Accessory, Full-Height Base With Sliding Shelves	226
Full-Height Base with Base Mixer Lift	226
Full-Height Blind Base, Full-Height Blind Base with Swing Out, Full-Height Blind Base with Pull Out	226
Full-Height Base With Wastebasket(s), Base End Angle, Full-Height Peninsula Base	227
Furniture Drawers, Pedestal Drawers	228
Two Drawer Bases	229
Three Drawer Bases, Three Drawer Base with Drawer Accessory	230
Four Drawer Bases, Four Drawer Base with Drawer Accessory	231
Base Microwave Cabinet, Base Spice Drawer Cabinet, Spice Drawer Cabinet	231
Corner Sink Base, Corner Sink Front, Deep Sink Base, Sink/Range Base and Front	232
Sink Base With Factory Installed Tilt-Out Tray(s), Base Plumbing Skirt, Adaptable Sink Base Kit	232
Corner Bases	233

TALL CABINETS

Utility With Adjustable Shelves	234
Utility With Sliding Shelves	236
Single Oven Cabinets	238
Double Oven Cabinets	242
Oven Microwave Cabinet	242

VANITY CABINETS

31 1/8" Vanity Base, 31 1/8" Vanity Sink Base With Top Drawers, 18" Deep x 31 1/8" Vanity Combo Sink Base	243
31 1/8" Vanity Combo Sink Base	244
34 1/2" Vanity Base, Vanity Base With Factory Installed Wastebasket(s), 34 1/2" Vanity Sink Base With Top Drawers	244
18" Deep x 34 1/2" High Vanity Combo Sink Base, 34 1/2" Vanity Combo Sink Base	245
Vanity Linen, Medicine Cabinet, Tri-View Mirror, Valet Cabinet, Full-Height Vanity Base	246
31 1/8" Vanity Sink Base, Vanity Sink Front, Vanity Plumbing Skirt	247
Vanity Drawer Base	248

DESK CABINETS

Desk Door	249
Kneehole Drawer Cabinet, Desk With Wastebasket(s), Desk Drawer Base, File Drawer Base	249

DIMENSIONS

Doors	250
Decorator Doors	251
Shelves, Sliding Shelves, Base Pot & Pan Organizer, Roll Out Tray Divider	252
Drawer Fronts	253
Drawer Boxes	254
Glass Inserts	256

MISCELLANEOUS PARTS & ACCESSORIES

REPLACEMENT DRAWER REFERENCE SHEET

SKU	Qty	DOOR	SPECIALTY DOOR	GLASS INSERT	Qty	ADJUSTABLE SHELF
						*For All Plywood Construction and/or Matching Interior Adjustable Shelf, refer to Parts Directory legend
		Part Name	Part Name	Part Name		*Part Name
STANDARD WALL - 42" HIGH						
W942	1	DR942	N/A	N/A	3	9" SHELF 3/4
W1242	1	DR1242	DR1242 SD	DGI-1242	3	12" SHELF 3/4
W1542	1	DR1542	DR1542 SD	DGI-1542	3	15" SHELF 3/4
W1842	1	DR1842	DR1842 SD	DGI-1842	3	18" SHELF 3/4
W2142	1	DR2142	DR2142 SD	DGI-2142	3	21" SHELF 3/4
W2442 BUTT	2	DR1242 BUTT	DR1242 BUTT SD	DGI-1242 BUTT	3	24" SHELF 3/4
W2742 BUTT	2	DR1342 BUTT	DR1342 BUTT SD	DGI-1342 BUTT	3	27" SHELF 3/4
W3042 BUTT	2	DR1542 BUTT	DR1542 BUTT SD	DGI-1542 BUTT	3	30" SHELF 3/4
W3342 BUTT	2	DR1642 BUTT	DR1642 BUTT SD	DGI-1642 BUTT	3	33" SHELF 3/4
W3642 BUTT	2	DR1842 BUTT	DR1842 BUTT SD	DGI-1842 BUTT	3	36" SHELF 3/4
W3942	2	DR1942	DR1942 SD	DGI-1942	3	39" SHELF 3/4
W4242	2	DR2142	DR2142 SD	DGI-2142	3	42" SHELF 3/4
STANDARD WALL - 39" HIGH						
W939	1	DR939	N/A	N/A	3	9" SHELF 3/4
W1239	1	DR1239	DR1239 SD	DGI-1239	3	12" SHELF 3/4
W1539	1	DR1539	DR1539 SD	DGI-1539	3	15" SHELF 3/4
W1839	1	DR1839	DR1839 SD	DGI-1839	3	18" SHELF 3/4
W2139	1	DR2139	DR2139 SD	DGI-2139	3	21" SHELF 3/4
W2439 BUTT	2	DR1239 BUTT	DR1239 BUTT SD	DGI-1239 BUTT	3	24" SHELF 3/4
W2739 BUTT	2	DR1339 BUTT	DR1339 BUTT SD	DGI-1339 BUTT	3	27" SHELF 3/4
W3039 BUTT	2	DR1539 BUTT	DR1539 BUTT SD	DGI-1539 BUTT	3	30" SHELF 3/4
W3339 BUTT	2	DR1639 BUTT	DR1639 BUTT SD	DGI-1639 BUTT	3	33" SHELF 3/4
W3639 BUTT	2	DR1839 BUTT	DR1839 BUTT SD	DGI-1839 BUTT	3	36" SHELF 3/4
STANDARD WALL - 36" HIGH						
W936	1	DR936	N/A	N/A	2	9" SHELF 3/4
W1236	1	DR1236	DR1236 SD	DGI-1236	2	12" SHELF 3/4
W1536	1	DR1536	DR1536 SD	DGI-1536	2	15" SHELF 3/4
W1836	1	DR1836	DR1836 SD	DGI-1836	2	18" SHELF 3/4
W2136	1	DR2136	DR2136 SD	DGI-2136	2	21" SHELF 3/4
W2436 BUTT	2	DR1236 BUTT	DR1236 BUTT SD	DGI-1236 BUTT	2	24" SHELF 3/4
W2736 BUTT	2	DR1336 BUTT	DR1336 BUTT SD	DGI-1336 BUTT	2	27" SHELF 3/4
W3036 BUTT	2	DR1536 BUTT	DR1536 BUTT SD	DGI-1536 BUTT	2	30" SHELF 3/4
W3336 BUTT	2	DR1636 BUTT	DR1636 BUTT SD	DGI-1636 BUTT	2	33" SHELF 3/4
W3636 BUTT	2	DR1836 BUTT	DR1836 BUTT SD	DGI-1836 BUTT	2	36" SHELF 3/4
W3936	2	DR1936	DR1936 SD	DGI-1936	2	39" SHELF 3/4
W4236	2	DR2136	DR2136 SD	DGI-2136	2	42" SHELF 3/4
STANDARD WALL - 30" HIGH						
W930	1	DR930	N/A	N/A	2	9" SHELF 3/4
W1230	1	DR1230	DR1230 SD	DGI-1230	2	12" SHELF 3/4
W1530	1	DR1530	DR1530 SD	DGI-1530	2	15" SHELF 3/4
W1830	1	DR1830	DR1830 SD	DGI-1830	2	18" SHELF 3/4
W2130	1	DR2130	DR2130 SD	DGI-2130	2	21" SHELF 3/4
W2430	1	DR2430	N/A	N/A	2	24" SHELF 3/4
W2430 BUTT	2	DR1230 BUTT	DR1230 BUTT SD	DGI-1230 BUTT	2	24" SHELF 3/4
W2730 BUTT	2	DR1330 BUTT	DR1330 BUTT SD	DGI-1330 BUTT	2	27" SHELF 3/4
W3030 BUTT	2	DR1530 BUTT	DR1530 BUTT SD	DGI-1530 BUTT	2	30" SHELF 3/4
W3330 BUTT	2	DR1630 BUTT	DR1630 BUTT SD	DGI-1630 BUTT	2	33" SHELF 3/4
W3630 BUTT	2	DR1830 BUTT	DR1830 BUTT SD	DGI-1830 BUTT	2	36" SHELF 3/4
W3930	2	DR1930	DR1930 SD	DGI-1930	2	39" SHELF 3/4
W4230	2	DR2130	DR2130 SD	DGI-2130	2	42" SHELF 3/4
W4530	3	DR1530	DR1530 SD	DGI-1530	2	45" SHELF 3/4
W4830	2	DR2430	N/A	N/A	2	48" SHELF 3/4
STANDARD WALL - 27" HIGH						
W3027 BUTT	2	DR1527 BUTT	DR1527 BUTT SD	DGI-1527 BUTT	1	30" SHELF 3/4

SKU	Qty	DOOR	SPECIALTY DOOR	GLASS INSERT	Qty	ADJUSTABLE SHELF
						*For All Plywood Construction and/or Matching Interior Adjustable Shelf, refer to Parts Directory legend
		Part Name	Part Name	Part Name		*Part Name
STANDARD WALL - 24" HIGH						
W1224	1	DR1224	DR1224 SD	DGI-1224	1	12" SHELF 3/4
W1524	1	DR1524	DR1524 SD	DGI-1524	1	15" SHELF 3/4
W1824	1	DR1824	DR1824 SD	DGI-1824	1	18" SHELF 3/4
W2124	1	DR2124	DR2124 SD	DGI-2124	1	21" SHELF 3/4
W2424 BUTT	2	DR1224 BUTT	DR1224 BUTT SD	DGI-1224 BUTT	1	24" SHELF 3/4
W2724 BUTT	2	DR1324 BUTT	DR1324 BUTT SD	DGI-1324 BUTT	1	27" SHELF 3/4
W3024 BUTT	2	DR1524 BUTT	DR1524 BUTT SD	DGI-1524 BUTT	1	30" SHELF 3/4
W3324 BUTT	2	DR1624 BUTT	DR1624 BUTT SD	DGI-1624 BUTT	1	33" SHELF 3/4
W3624 BUTT	2	DR1824 BUTT	DR1824 BUTT SD	DGI-1824 BUTT	1	36" SHELF 3/4
W3924	2	DR1924	DR1924 SD	DGI-1924	1	39" SHELF 3/4
W4224	2	DR2124	DR2124 SD	DGI-2124	1	42" SHELF 3/4
W4524	3	DR1524	DR1524 SD	DGI-1524	1	45" SHELF 3/4
STANDARD WALL - 21" HIGH						
W3021 BUTT	2	DR1521 BUTT	DR1521 BUTT SD	DGI-1521 BUTT	-	N/A
W3321 BUTT	2	DR1621 BUTT	DR1621 BUTT SD	DGI-1621 BUTT	-	N/A
W3621 BUTT	2	DR1821 BUTT	DR1821 BUTT SD	DGI-1821 BUTT	-	N/A
W3921	2	DR1921	DR1921 SD	DGI-1921	-	N/A
STANDARD WALL - 18" HIGH						
W1218	1	DR1218	DR1218 SD	DGI-1218	-	N/A
W1518	1	DR1518	DR1518 SD	DGI-1518	-	N/A
W1818	1	DR1818	DR1818 SD	DGI-1818	-	N/A
W2118	1	DR2118	DR2118 SD	DGI-2118	-	N/A
W2418 BUTT	2	DR1218 BUTT	DR1218 BUTT SD	DGI-1218 BUTT	-	N/A
W2718 BUTT	2	DR1318 BUTT	DR1318 BUTT SD	DGI-1318 BUTT	-	N/A
W3018 BUTT	2	DR1518 BUTT	DR1518 BUTT SD	DGI-1518 BUTT	-	N/A
W3318 BUTT	2	DR1618 BUTT	DR1618 BUTT SD	DGI-1618 BUTT	-	N/A
W3618 BUTT	2	DR1818 BUTT	DR1818 BUTT SD	DGI-1818 BUTT	-	N/A
W3918	2	DR1918	DR1918 SD	DGI-1918	-	N/A
W4218	2	DR2118	DR2118 SD	DGI-2118	-	N/A
STANDARD WALL - 15" HIGH						
W1215	1	DR1215	DR1215 SD	DGI-1215	-	N/A
W1515	1	DR1515	DR1515 SD	DGI-1515	-	N/A
W1815	1	DR1815	DR1815 SD	DGI-1815	-	N/A
W2115	1	DR2115	DR2115 SD	DGI-2115	-	N/A
W2415 BUTT	2	DR1215 BUTT	DR1215 BUTT SD	DGI-1215 BUTT	-	N/A
W2715 BUTT	2	DR1315 BUTT	DR1315 BUTT SD	DGI-1315 BUTT	-	N/A
W3015 BUTT	2	DR1515 BUTT	DR1515 BUTT SD	DGI-1515 BUTT	-	N/A
W3315 BUTT	2	DR1615 BUTT	DR1615 BUTT SD	DGI-1615 BUTT	-	N/A
W3615 BUTT	2	DR1815 BUTT	DR1815 BUTT SD	DGI-1815 BUTT	-	N/A
W3915	2	DR1915	DR1915 SD	DGI-1915	-	N/A
STANDARD WALL - 12" HIGH						
W1212	1	DR1212	DR1212 SD	DGI-1212	-	N/A
W1512	1	DR1512	DR1512 SD	DGI-1512	-	N/A
W1812	1	DR1812	DR1812 SD	DGI-1812	-	N/A
W2112	1	DR2112	DR2112 SD	DGI-2112	-	N/A
W2412 BUTT	2	DR1212 BUTT	DR1212 BUTT SD	DGI-1212 BUTT	-	N/A
W2712 BUTT	2	DR1312 BUTT	DR1312 BUTT SD	DGI-1312 BUTT	-	N/A
W3012 BUTT	2	DR1512 BUTT	DR1512 BUTT SD	DGI-1512 BUTT	-	N/A
W3312 BUTT	2	DR1612 BUTT	DR1612 BUTT SD	DGI-1612 BUTT	-	N/A
W3612 BUTT	2	DR1812 BUTT	DR1812 BUTT SD	DGI-1812 BUTT	-	N/A
W3912	2	DR1912	DR1912 SD	DGI-1912	-	N/A
WITH SPICE RACK - 42" HIGH						
W1542 SR	1	DR1542	N/A	N/A	3	15" SHELF 3/4
W1842 SR	1	DR1842	N/A	N/A	3	18" SHELF 3/4
W2142 SR	1	DR2142	N/A	N/A	3	21" SHELF 3/4

SKU	Qty	DOOR	SPECIALTY DOOR	GLASS INSERT	Qty	ADJUSTABLE SHELF
		Part Name	Part Name	Part Name		*Part Name
WITH SPICE RACK - 39" HIGH						
W1539 SR	1	DR1539	N/A	N/A	3	15" SHELF 3/4
W1839 SR	1	DR1839	N/A	N/A	3	18" SHELF 3/4
W2139 SR	1	DR2139	N/A	N/A	3	21" SHELF 3/4
WITH SPICE RACK - 36" HIGH						
W1536 SR	1	DR1536	N/A	N/A	2	15" SHELF 3/4
W1836 SR	1	DR1836	N/A	N/A	2	18" SHELF 3/4
W2136 SR	1	DR2136	N/A	N/A	2	21" SHELF 3/4
WITH SPICE RACK - 30" HIGH						
W1530 SR	1	DR1530	N/A	N/A	2	15" SHELF 3/4
W1830 SR	1	DR1830	N/A	N/A	2	18" SHELF 3/4
W2130 SR	1	DR2130	N/A	N/A	2	21" SHELF 3/4
BLIND WALL - 42" HIGH						
BLW24/2742	1	DR1242	DR1242 SD	DGI-1242	3	24" SHELF 3/4
BLW30/3342	1	DR1842	DR1842 SD	DGI-1842	3	30" SHELF 3/4
BLW33/3642	1	DR2142	DR2142 SD	DGI-2142	3	33" SHELF 3/4
BLW36/3942 BUTT	2	DR1242 BUTT	DR1242 BUTT SD	DGI-1242 BUTT	3	36" SHELF 3/4
BLW39/4242 BUTT	2	DR1342 BUTT	DR1342 BUTT SD	DGI-1342 BUTT	3	39" SHELF 3/4
BLW42/4542 BUTT	2	DR1542 BUTT	DR1542 BUTT SD	DGI-1542 BUTT	3	42" SHELF 3/4
BLIND WALL - 39" HIGH						
BLW24/2739	1	DR1239	DR1239 SD	DGI-1239	3	24" SHELF 3/4
BLW30/3339	1	DR1839	DR1839 SD	DGI-1839	3	30" SHELF 3/4
BLW33/3639	1	DR2139	DR2139 SD	DGI-2139	3	33" SHELF 3/4
BLW36/3939 BUTT	2	DR1239 BUTT	DR1239 BUTT SD	DGI-1239 BUTT	3	36" SHELF 3/4
BLW39/4239 BUTT	2	DR1339 BUTT	DR1339 BUTT SD	DGI-1339 BUTT	3	39" SHELF 3/4
BLW42/4539 BUTT	2	DR1539 BUTT	DR1539 BUTT SD	DGI-1539 BUTT	3	42" SHELF 3/4
BLIND WALL - 36" HIGH						
BLW24/2736	1	DR1236	DR1236 SD	DGI-1236	2	24" SHELF 3/4
BLW30/3336	1	DR1836	DR1836 SD	DGI-1836	2	30" SHELF 3/4
BLW33/3636	1	DR2136	DR2136 SD	DGI-2136	2	33" SHELF 3/4
BLW36/3936 BUTT	2	DR1236 BUTT	DR1236 BUTT SD	DGI-1236 BUTT	2	36" SHELF 3/4
BLW39/4236 BUTT	2	DR1336 BUTT	DR1336 BUTT SD	DGI-1336 BUTT	2	39" SHELF 3/4
BLW42/4536 BUTT	2	DR1536 BUTT	DR1536 BUTT SD	DGI-1536 BUTT	2	42" SHELF 3/4
BLIND WALL - 30" HIGH						
BLW24/2730	1	DR1230	DR1230 SD	DGI-1230	2	24" SHELF 3/4
BLW27/3030	1	DR1530	DR1530 SD	DGI-1530	2	27" SHELF 3/4
BLW30/3330	1	DR1830	DR1830 SD	DGI-1830	2	30" SHELF 3/4
BLW33/3630	1	DR2130	DR2130 SD	DGI-2130	2	33" SHELF 3/4
BLW36/3930	1	DR2430	N/A	N/A	2	36" SHELF 3/4
BLW36/3930 BUTT	2	DR1230 BUTT	DR1230 BUTT SD	DGI-1230 BUTT	2	36" SHELF 3/4
BLW39/4230 BUTT	2	DR1330 BUTT	DR1330 BUTT SD	DGI-1330 BUTT	2	39" SHELF 3/4
BLW42/4530 BUTT	2	DR1530 BUTT	DR1530 BUTT SD	DGI-1530 BUTT	2	42" SHELF 3/4
BLW45/4830 BUTT	2	DR1630 BUTT	DR1630 BUTT SD	DGI-1630 BUTT	2	45" SHELF 3/4
BLW48/5130 BUTT	2	DR1830 BUTT	DR1830 BUTT SD	DGI-1830 BUTT	2	48" SHELF 3/4
BLIND WALL - 24" HIGH						
BLW24/2724	1	DR1224	DR1224 SD	DGI-1224	1	24" SHELF 3/4
BLW27/3024	1	DR1524	DR1524 SD	DGI-1524	1	27" SHELF 3/4
BLW30/3324	1	DR1824	DR1824 SD	DGI-1824	1	30" SHELF 3/4
BLW33/3624	1	DR2124	DR2124 SD	DGI-2124	1	33" SHELF 3/4
BLW36/3924 BUTT	2	DR1224 BUTT	DR1224 BUTT SD	DGI-1224 BUTT	1	36" SHELF 3/4
WALL END ANGLE						
WEA1242	1	DR1542	DR1542 SD	DGI-1542	3	WEA SHELF 3/4
WEA1239	1	DR1539	DR1539 SD	DGI-1539	3	WEA SHELF 3/4
WEA1236	1	DR1536	DR1536 SD	DGI-1536	2	WEA SHELF 3/4
WEA1230	1	DR1530	DR1530 SD	DGI-1530	2	WEA SHELF 3/4

SKU	Qty	DOOR	SPECIALTY DOOR	GLASS INSERT	Qty	ADJUSTABLE SHELF
		Part Name	Part Name	Part Name		*Part Name
WALL TOP HINGE - 12" HIGH						
WTH4212	1	DR4212 WTH	DR4212 WTH SD	DGI-1242	-	N/A
WALL TOP HINGE - 15" HIGH						
WTH3015	1	DR3015 WTH	DR3015 WTH SD	DGI-1530	-	N/A
WTH3615	1	DR3615 WTH	DR3615 WTH SD	DGI-1536	-	N/A
WALL TOP HINGE - 18" HIGH						
WTH3018	1	DR3018 WTH	DR3018 WTH SD	DGI-1830	-	N/A
WTH3618	1	DR3618 WTH	DR3618 WTH SD	DGI-1836	-	N/A
WALL TOP HINGE - 15" HIGH X 24" DEEP						
WTH3015 X 24DP	1	DR3015 WTH	DR3015 WTH SD	DGI-1530	-	N/A
WTH3615 X 24DP	1	DR3615 WTH	DR3615 WTH SD	DGI-1536	-	N/A
WALL TOP HINGE - 18" HIGH X 24" DEEP						
WTH3018 X 24DP	1	DR3018 WTH	DR3018 WTH SD	DGI-1830	-	N/A
WTH3618 X 24DP	1	DR3618 WTH	DR3618 WTH SD	DGI-1836	-	N/A
CORNER WALL CABINET WITH APPLIANCE GARAGE - 48" HIGH						
CWD2448	1	DR1530	DR1530 SD	DGI-1530	2	CW SHELF ADJ 3/4
	1	DR1518	-	-		
CWDS2448	1	DR1530	DR1530 SD	DGI-1530	2	CWS UNIT RAS
	1	DR1518	-	-		
CWDS2448 WD	1	DR1530	DR1530 SD	DGI-1530	2	CWS24 SHELF WD NP
	1	DR1518	-	-		
CORNER WALL - 42" HIGH						
CW2442	1	DR1542	DR1542 SD	DGI-1542	3	CW SHELF ADJ 3/4
CW2742	1	DR1542	DR1542 SD	DGI-1542	3	CW27 SHELF ADJ 3/4
CWS2442 WD	1	DR1542	DR1542 SD	DGI-1542	3	CWS24 SHELF WD NP
CORNER WALL - 39" HIGH						
CW2439	1	DR1539	DR1539 SD	DGI-1539	3	CW SHELF ADJ 3/4
CW2739	1	DR1539	DR1539 SD	DGI-1539	3	CW27 SHELF ADJ 3/4
CWS2439 WD	1	DR1539	DR1539 SD	DGI-1539	3	CWS24 SHELF WD NP
CORNER WALL - 36" HIGH						
CW2436	1	DR1536	DR1536 SD	DGI-1536	2	CW SHELF ADJ 3/4
CW2736	1	DR1536	DR1536 SD	DGI-1536	2	CW27 SHELF ADJ 3/4
CWS2436 WD	1	DR1536	DR1536 SD	DGI-1536	2	CWS24 SHELF WD NP
CORNER WALL - 30" HIGH						
CW2430	1	DR1530	DR1530 SD	DGI-1530	2	CW SHELF ADJ 3/4
CW2730	1	DR1530	DR1530 SD	DGI-1530	2	CW27 SHELF ADJ 3/4
CWS2430	1	DR1530	DR1530 SD	DGI-1530	1	CWS UNIT RAS
CWS2430 WD	1	DR1530	DR1530 SD	DGI-1530	2	CWS24 SHELF WD NP
CORNER WALL - 24" HIGH						
CW2424	1	DR1524	DR1524 SD	DGI-1524	-	N/A
CW2724	1	DR1524	DR1524 SD	DGI-1524	-	N/A
CORNER WALL - 18" HIGH						
CW2418	1	DR1518	DR1518 SD	DGI-1518	-	N/A
CW2718	1	DR1518	DR1518 SD	DGI-1518	-	N/A
CORNER WALL - 15" HIGH						
CW2415	1	DR1515	DR1515 SD	DGI-1515	-	N/A
CW2715	1	DR1515	DR1515 SD	DGI-1515	-	N/A
CORNER WALL - 12" HIGH						
CW2412	1	DR1512	DR1512 SD	DGI-1512	-	N/A
CW2712	1	DR1512	DR1512 SD	DGI-1512	-	N/A
REFRIGERATOR WALL - 27" HIGH X 24" DEEP						
W3027 X 24 DP BUTT	2	DR1527 BUTT	DR1527 BUTT SD	DGI-1527 BUTT	1	30" SHELF 3/4

SKU	Qty	DOOR	SPECIALTY DOOR	GLASS INSERT	Qty	ADJUSTABLE SHELF
		Part Name	Part Name	Part Name		*Part Name
REFRIGERATOR WALL - 24" HIGH X 24" DEEP						
W3024 X 24 DP BUTT	2	DR1524 BUTT	DR1524 BUTT SD	DGI-1524 BUTT	1	30" SHELF 3/4
W3324 X 24 DP BUTT	2	DR1624 BUTT	DR1624 BUTT SD	DGI-1624 BUTT	1	33" SHELF 3/4
W3624 X 24 DP BUTT	2	DR1824 BUTT	DR1824 BUTT SD	DGI-1824 BUTT	1	36" SHELF 3/4
W3724 X 24 DP BUTT	2	DR18.524 BUTT	DR18.524 BUTT SD	DGI-18.524 BUTT	1	37" SHELF 3/4
W3924 X 24 DP	2	DR1924	DR1924 SD	DGI-1924	1	39" SHELF 3/4
REFRIGERATOR WALL - 21" HIGH X 24" DEEP						
W3021 X 24 DP BUTT	2	DR1521 BUTT	DR1521 BUTT SD	DGI-1521 BUTT	-	N/A
W3321 X 24 DP BUTT	2	DR1621 BUTT	DR1621 BUTT SD	DGI-1621 BUTT	-	N/A
W3621 X 24 DP BUTT	2	DR1821 BUTT	DR1821 BUTT SD	DGI-1821 BUTT	-	N/A
W3721 X 24 DP BUTT	2	DR18.521 BUTT	DR18.521 BUTT SD	DGI-18.521 BUTT	-	N/A
W3921 X 24 DP BUTT	2	DR1921	DR1921 SD	DGI-1921	-	N/A
REFRIGERATOR WALL - 18" HIGH X 24" DEEP						
W3018 X 24 DP BUTT	2	DR1518 BUTT	DR1518 BUTT SD	DGI-1518 BUTT	-	N/A
W3318 X 24 DP BUTT	2	DR1618 BUTT	DR1618 BUTT SD	DGI-1618 BUTT	-	N/A
W3618 X 24 DP BUTT	2	DR1818 BUTT	DR1818 BUTT SD	DGI-1818 BUTT	-	N/A
W3718 X 24 DP BUTT	2	DR18.518 BUTT	DR18.518 BUTT SD	DGI-18.518 BUTT	-	N/A
W3918 X 24 DP	2	DR1918	DR1918 SD	DGI-1918	-	N/A
REFRIGERATOR WALL - 15" HIGH X 24" DEEP						
W3015 X 24 DP BUTT	2	DR1515 BUTT	DR1515 BUTT SD	DGI-1515 BUTT	-	N/A
W3315 X 24 DP BUTT	2	DR1615 BUTT	DR1615 BUTT SD	DGI-1615 BUTT	-	N/A
W3615 X 24 DP BUTT	2	DR1815 BUTT	DR1815 BUTT SD	DGI-1815 BUTT	-	N/A
W3715 X 24 DP BUTT	2	DR18.515 BUTT	DR18.515 BUTT SD	DGI-18.515 BUTT	-	N/A
W3915 X 24 DP	2	DR1915	DR1915 SD	DGI-1915	-	N/A
REFRIGERATOR WALL - 12" HIGH X 24" DEEP						
W3012 X 24 DP BUTT	2	DR1512 BUTT	DR1512 BUTT SD	DGI-1512 BUTT	-	N/A
W3312 X 24 DP BUTT	2	DR1612 BUTT	DR1612 BUTT SD	DGI-1621 BUTT	-	N/A
W3612 X 24 DP BUTT	2	DR1812 BUTT	DR1812 BUTT SD	DGI-1812 BUTT	-	N/A
W3712 X 24 DP BUTT	2	DR18.512 BUTT	DR18.512 BUTT SD	DGI-18.512 BUTT	-	N/A
W3912 X 24 DP	2	DR1912	DR1912 SD	DGI-1912	-	N/A
W4212 X 24 DP	2	DR2112	N/A	N/A	-	N/A
W4812 X 24 DP BUTT	4	DR1212 BUTT	N/A	N/A	-	N/A
STRAIGHT APPLIANCE GARAGE						
AGSD24 BUTT	2	DR1218 BUTT	DR1218 BUTT SD	DGI-1218 BUTT	-	N/A
CORNER APPLIANCE GARAGE						
AGD2418	1	DR1518	DR1518 SD	DGI-1518	-	N/A
AGD2718	1	DR1518	DR1518 SD	DGI-1518	-	N/A

SKU	Qty	DOOR		ADJUSTABLE SHELF	
		Part Name	Qty	*For All Plywood Construction and/or Matching Interior Adjustable Shelf, refer to Parts Directory legend	
*Part Name					
MICROWAVE WALL - 42" HIGH					
WMC301842 BUTT	2	DR1521 BUTT	-	N/A	
WMC302142 BUTT	2	DR1521 BUTT	-	N/A	
WALL MICROWAVE - 42" HIGH					
WMSC271842 BUTT	2	DR1324 BUTT	1	WMSC2718 TOP SHELF	
WALL MICROWAVE - 39" HIGH					
WMC271839 BUTT	2	DR1318 BUTT	-	N/A	
WMC272139 BUTT	2	DR1318 BUTT	-	N/A	
WMC301839 BUTT	2	DR1518 BUTT	-	N/A	
WMC302139 BUTT	2	DR1518 BUTT	-	N/A	
WALL MICROWAVE - 36" HIGH					
WMC271836 BUTT	2	DR1315 BUTT	-	N/A	
WMC272136 BUTT	2	DR1315 BUTT	-	N/A	
WMC301836 BUTT	2	DR1515 BUTT	-	N/A	
WMC302136 BUTT	2	DR1515 BUTT	-	N/A	
WALL MICROWAVE - 36" HIGH					
WMSC271236 BUTT	2	DR1315 BUTT	-	N/A	
WMSC271836 BUTT	2	DR1315 BUTT	-	N/A	
WMSC301236 BUTT	2	DR1515 BUTT	-	N/A	
COMPACT WALL MICROWAVE					
WCMSC241236 BUTT	2	DR1218 BUTT	-	N/A	
WCMSC271236 BUTT	2	DR1318 BUTT	-	N/A	
WALL RANGE HOOD - 30" HIGH					
WRH3030 SV	2	DR1521 BUTT	-	N/A	
WRH3630 SV	2	DR1821 BUTT	-	N/A	
WRH3030 RP	2	DR1521 BUTT	-	N/A	
WRH3630 RP	2	DR1821 BUTT	-	N/A	
WALL RANGE HOOD - 27" HIGH					
WRH3027 SV	2	DR1518 BUTT	-	N/A	
WRH3627 SV	2	DR1818 BUTT	-	N/A	
WRH3027 RP	2	DR1518 BUTT	-	N/A	
WRH3627 RP	2	DR1818 BUTT	-	N/A	
WALL RANGE HOOD - 24" HIGH					
WRH3024 SV	2	DR1515 BUTT	-	N/A	
WRH3624 SV	2	DR1815 BUTT	-	N/A	
WRH3024 RP	2	DR1515 BUTT	-	N/A	
WRH3624 RP	2	DR1815 BUTT	-	N/A	
WALL EASY REACH					
WER2442	1 1	DR1242 WER DRILL DR1242 WER ND	3	WER SHELF 3/4	
WER2439	1 1	DR1239 WER DRILL DR1239 WER ND	3	WER SHELF 3/4	
WER2436	1 1	DR1236 WER DRILL DR1236 WER ND	2	WER SHELF 3/4	
WER2430	1 1	DR1230 WER DRILL DR1230 WER ND	2	WER SHELF 3/4	

SKU	Qty	DOOR	Qty	DRAWER FRONT	Qty	DRAWER BODY	Qty	SHELF / ACCESSORY
		*For All Plywood Construction Adjustable Shelf, refer to Parts Directory legend						
								*Part Name
STANDARD BASE								
B12	1	DR1224	1	DDF12	1	DRB12 X 21DP SG	1	12" SHELF 3/4
B15	1	DR1524	1	DDF15	1	DRB15 X 21DP SG	1	15" SHELF 3/4
B18	1	DR1824	1	DDF18	1	DRB18 X 21DP SG	1	18" SHELF 3/4
B21	1	DR2124	1	DDF21	1	DRB21 X 21DP SG	1	21" SHELF 3/4
B24	1	DR2424	1	DDF24	1	DRB24 X 21DP SG	1	24" SHELF 3/4
B24 BUTT	2	DR1224 BUTT	1	DDF24	1	DRB24 X 21DP SG	1	24" SHELF 3/4
B27 BUTT	2	DR1324 BUTT	1	DDF27	1	DRB27 X 21DP SG	1	27" SHELF 3/4
B30 BUTT	2	DR1524 BUTT	1	DDF30	1	DRB30 X 21DP SG	1	30" SHELF 3/4
B33 BUTT	2	DR1624 BUTT	1	DDF33	1	DRB33 X 21DP SG	1	33" SHELF 3/4
B36 1TD BUTT	2	DR1824 BUTT	1	DDF36	1	DRB36 X 21DP SG	1	36" SHELF 3/4
B39	2	DR1924	2	DDF19	2	DRB19 X 21DP SG	1	39" SHELF 3/4
B42	2	DR2124	2	DDF21	2	DRB21 X 21DP SG	1	42" SHELF 3/4
B45	3	DR1524	3	DDF15	3	DRB15 X 21DP SG	1	45" SHELF 3/4
B48	2	DR2424	2	DDF24	2	DRB24 X 21DP SG	1	48" SHELF 3/4
BASE WITH ONE SLIDING SHELF								
B12 SS1	1	DR1224	1	DDF12	1	DRB12 X 21DP SG	1	SSK12
B15 SS1	1	DR1524	1	DDF15	1	DRB15 X 21DP SG	1	SSK15
B18 SS1	1	DR1824	1	DDF18	1	DRB18 X 21DP SG	1	SSK18
B21 SS1	1	DR2124	1	DDF21	1	DRB21 X 21DP SG	1	SSK21
B24 SS1	1	DR2424	1	DDF24	1	DRB24 X 21DP SG	1	SSK24
B24 SS1 BUTT	2	DR1224 BUTT	1	DDF24	1	DRB24 X 21DP SG	1	SSK24
B27 SS1 BUTT	2	DR1324 BUTT	1	DDF27	1	DRB27 X 21DP SG	1	SSK27
B30 SS1 BUTT	2	DR1524 BUTT	1	DDF30	1	DRB30 X 21DP SG	1	SSK30
B33 SS1 BUTT	2	DR1624 BUTT	1	DDF33	1	DRB33 X 21DP SG	1	SSK33
B36 SS1 1TD BUTT	2	DR1824 BUTT	1	DDF36	1	DRB36 X 21DP SG	1	SSK36
BASE WITH TWO HORIZONTAL SLIDING SHELVES								
B39 SS1	2	DR1924	2	DDF19	2	DRB19 X 21DP SG	2	SSK19
B42 SS1	2	DR2124	2	DDF21	2	DRB21 X 21DP SG	2	SSK21
B48 SS1	2	DR2424	2	DDF24	2	DRB24 X 21DP SG	2	SSK24
BASE WITH TWO VERTICAL SLIDING SHELVES								
B12 SS2	1	DR1224	1	DDF12	1	DRB12 X 21DP SG	2	SSK12
B15 SS2	1	DR1524	1	DDF15	1	DRB15 X 21DP SG	2	SSK15
B18 SS2	1	DR1824	1	DDF18	1	DRB18 X 21DP SG	2	SSK18
B21 SS2	1	DR2124	1	DDF21	1	DRB21 X 21DP SG	2	SSK21
B24 SS2	1	DR2424	1	DDF24	1	DRB24 X 21DP SG	2	SSK24
B24 SS2 BUTT	2	DR1224 BUTT	1	DDF24	1	DRB24 X 21DP SG	2	SSK24
B27 SS2 BUTT	2	DR1324 BUTT	1	DDF27	1	DRB27 X 21DP SG	2	SSK27
B30 SS2 BUTT	2	DR1524 BUTT	1	DDF30	1	DRB30 X 21DP SG	2	SSK30
B33 SS2 BUTT	2	DR1624 BUTT	1	DDF33	1	DRB33 X 21DP SG	2	SSK33
B36 SS2 1TD BUTT	2	DR1824 BUTT	1	DDF36	1	DRB36 X 21DP SG	2	SSK36
BASE WITH THREE HORIZONTAL SLIDING SHELVES								
B45 SS1	3	DR1524	3	DDF15	3	DRB15 X 21DP SG	3	SSK15
BASE WITH FOUR SLIDING SHELVES								
B39 SS2	2	DR1924	2	DDF19	2	DRB19 X 21DP SG	4	SSK19
B42 SS2	2	DR2124	2	DDF21	2	DRB21 X 21DP SG	4	SSK21
B48 SS2	2	DR2424	2	DDF24	2	DRB24 X 21DP SG	4	SSK24
BASE WITH SIX SLIDING SHELVES								
B45 SS2	3	DR1524	3	DDF15	3	DRB15 X 21DP SG	6	SSK15
BASE POT AND PAN ORGANIZER CABINET								
B24 CCBPPO	1	DR2424	1	DDF24	1	DRB24 X 21DP SG	1	BPPOKCC24
B24 BUTT CCBPPO	2	DR1224 BUTT	1	DDF24	1	DRB24 X 21DP SG	1	BPPOKCC24
B27 BUTT CCBPPO	2	DR1324 BUTT	1	DDF27	1	DRB27 X 21DP SG	1	BPPOKCC27
B30 BUTT CCBPPO	2	DR1524 BUTT	1	DDF30	1	DRB30 X 21DP SG	1	BPPOKCC30
B33 BUTT CCBPPO	2	DR1624 BUTT	1	DDF33	1	DRB33 X 21DP SG	1	BPPOKCC33
B36 1TD BUTT CCBPPO	2	DR1824 BUTT	1	DDF36	1	DRB36 X 21DP SG	1	BPPOKCC36

SKU	Qty	DOOR	Qty	DRAWER FRONT	Qty	DRAWER BODY	Qty	SHELF / ACCESSORY	
									*For All Plywood Construction Adjustable Shelf, refer to Parts Directory legend
									*Part Name
PENINSULA BASE									
PB12	2	DR1224	2	DDF12	2	DRB12 X 21DP SG	1	12" SHELF PB 3/4	
PB18	2	DR1824	2	DDF18	2	DRB18 X 21DP SG	1	18" SHELF PB 3/4	
PB24	2	DR2424	2	DDF24	2	DRB24 X 21DP SG	1	24" SHELF PB 3/4	
PB24 BUTT	4	DR1224 BUTT	2	DDF24	2	DRB24 X 21DP SG	1	24" SHELF PB 3/4	
PB30 BUTT	4	DR1524 BUTT	2	DDF30	2	DRB30 X 21DP SG	1	30" SHELF PB 3/4	
PB36 1TD BUTT	4	DR1824 BUTT	2	DDF36	2	DRB36 X 21DP SG	1	36" SHELF PB 3/4	
PB42	4	DR2124	4	DDF21	4	DRB21 X 21DP SG	1	42" SHELF PB 3/4	
BLIND CORNER									
BLB36/39	1	DR1224	1	DDF12	1	DRB12 X 21DP SG	1	27" SHELF 3/4	
BLB39/42	1	DR1524	1	DDF15	1	DRB15 X 21DP SG	1	33" SHELF 3/4	
BLB42/45	1	DR1824	1	DDF18	1	DRB18 X 21DP SG	1	39" SHELF 3/4	
BLB45/48	1	DR2124	1	DDF21	1	DRB21 X 21DP SG	1	45" SHELF 3/4	
BLB48/51	1	DR2124	1	DDF21	1	DRB21 X 21DP SG	1	48" SHELF 3/4	
STANDARD BASE WITH FACTORY INSTALLED CUTLERY DIVIDER									
B15 CD	1	DR1524	1	DDF15	1	DRB15 X 21DP DT FD	1	15" SHELF 3/4 CDAK15	
B18 CD	1	DR1824	1	DDF18	1	DRB18 X 21DP DT FD	1	18" SHELF 3/4 CDAK18	
B21 CD	1	DR2124	1	DDF21	1	DRB21 X 21DP DT FD	1	21" SHELF 3/4 CDAK21	
B24 CD	1	DR2424	1	DDF24	1	DRB24 X 21DP DT FD	1	24" SHELF 3/4 CDAK24	
B24 BUTT CD	2	DR1224 BUTT	1	DDF24	1	DRB24 X 21DP DT FD	1	24" SHELF 3/4 CDAK24	
B30 BUTT CD	2	DR1524 BUTT	1	DDF30	1	DRB30 X 21DP DT FD	1	30" SHELF 3/4 CDAK30	
B36 1TD BUTT CD	2	DR1824 BUTT	1	DDF36	1	DRB36 X 21DP DT FD	1	36" SHELF 3/4 CDAK36	
STANDARD BASE WITH FACTORY INSTALLED SPICE DRAWER INSERT									
B15 SDI	1	DR1524	1	DDF15	1	DRB15 X 21DP DT FD	1	15" SHELF 3/4 SDIAK15	
B18 SDI	1	DR1824	1	DDF18	1	DRB18 X 21DP DT FD	1	18" SHELF 3/4 SDIAK18	
B21 SDI	1	DR2124	1	DDF21	1	DRB21 X 21DP DT FD	1	21" SHELF 3/4 SDIAK21	
B24 SDI	1	DR2424	1	DDF24	1	DRB24 X 21DP DT FD	1	24" SHELF 3/4 SDIAK24	
B24 BUTT SDI	2	DR1224 BUTT	1	DDF24	1	DRB24 X 21DP DT FD	1	24" SHELF 3/4 SDIAK24	
STANDARD BASE WITH FACTORY INSTALLED WOOD TIERED CUTLERY DIVIDER									
B15 WTCD	1	DR1524	1	DDF15	1	WTCDFD15	1	15" SHELF 3/4	
B18 WTCD	1	DR1824	1	DDF18	1	WTCDFD18	1	18" SHELF 3/4	
B21 WTCD	1	DR2124	1	DDF21	1	WTCDFD21	1	21" SHELF 3/4	
B24 WTCD	1	DR2424	1	DDF24	1	WTCDFD24	1	24" SHELF 3/4	
B24 BUTT WTCD	2	DR1224 BUTT	1	DDF24	1	WTCDFD24	1	24" SHELF 3/4	
B30 BUTT WTCD	2	DR1524 BUTT	1	DDF30	1	WTCDFD30	1	30" SHELF 3/4	
B36 1TD BUTT WTCD	2	DR1824 BUTT	1	DDF36	1	WTCDFD36	1	36" SHELF 3/4	

SKU	Qty	DOOR	Qty	DRAWER FRONT	Qty	DRAWER BODY	Qty	SHELF / ACCESSORY
		*For All Plywood Construction Adjustable Shelf, refer to Parts Directory legend						
								*Part Name
BASE WITH ONE SLIDING SHELF AND FACTORY INSTALLED SPICE DRAWER INSERT								
B15 SS1 SDI	1	DR1524	1	DDF15	1	DRB15 X 21DP DT FD	1	SSK15 SDIAK15
B18 SS1 SDI	1	DR1824	1	DDF18	1	DRB18 X 21DP DT FD	1	SSK18 SDIAK18
B21 SS1 SDI	1	DR2124	1	DDF21	1	DRB21 X 21DP DT FD	1	SSK21 SDIAK21
B24 SS1 SDI	1	DR2424	1	DDF24	1	DRB24 X 21DP DT FD	1	SSK24 SDIAK24
B24 SS1 BUTT SDI	2	DR1224 BUTT	1	DDF24	1	DRB24 X 21DP DT FD	1	SSK24 SDIAK24
BASE WITH ONE SLIDING SHELF AND FACTORY INSTALLED WOOD TIERED CUTLERY DIVIDER								
B15 SS1 WTCD	1	DR1524	1	DDF15	1	WTCDKFD15	1	SSK15
B18 SS1 WTCD	1	DR1824	1	DDF18	1	WTCDKFD18	1	SSK18
B21 SS1 WTCD	1	DR2124	1	DDF21	1	WTCDKFD21	1	SSK21
B24 SS1 WTCD	1	DR2424	1	DDF24	1	WTCDKFD24	1	SSK24
B24 SS1 BUTT WTCD	2	DR1224 BUTT	1	DDF24	1	WTCDKFD24	1	SSK24
B30 SS1 BUTT WTCD	2	DR1524 BUTT	1	DDF30	1	WTCDKFD30	1	SSK30
B36 1TD SS1 BUTT WTCD	2	DR1824 BUTT	1	DDF36	1	WTCDKFD36	1	SSK36
BASE WITH TWO SLIDING SHELVES AND FACTORY INSTALLED SPICE DRAWER INSERT								
B15 SS2 SDI	1	DR1524	1	DDF15	1	DRB15 X 21DP DT FD	2	SSK15 SDIAK15
B18 SS2 SDI	1	DR1824	1	DDF18	1	DRB18 X 21DP DT FD	2	SSK18 SDIAK18
B21 SS2 SDI	1	DR2124	1	DDF21	1	DRB21 X 21DP DT FD	2	SSK21 SDIAK21
B24 SS2 SDI	1	DR2424	1	DDF24	1	DRB24 X 21DP DT FD	2	SSK24 SDIAK24
B24 SS2 BUTT SDI	2	DR1224 BUTT	1	DDF24	1	DRB24 X 21DP DT FD	2	SSK24 SDIAK24
BASE WITH TWO SLIDING SHELVES AND FACTORY INSTALLED WOOD TIERED CUTLERY DIVIDER								
B15 SS2 WTCD	1	DR1524	1	DDF15	1	WTCDKFD15	2	SSK15
B18 SS2 WTCD	1	DR1824	1	DDF18	1	WTCDKFD18	2	SSK18
B21 SS2 WTCD	1	DR2124	1	DDF21	1	WTCDKFD21	2	SSK21
B24 SS2 WTCD	1	DR2424	1	DDF24	1	WTCDKFD24	2	SSK24
B24 SS2 BUTT WTCD	2	DR1224 BUTT	1	DDF24	1	WTCDKFD24	2	SSK24
B30 SS2 BUTT WTCD	2	DR1524 BUTT	1	DDF30	1	WTCDKFD30	2	SSK30
B36 SS2 BUTT WTCD	2	DR1824 BUTT	1	DDF36	1	WTCDKFD36	2	SSK36
BASE WITH ROLL OUT TRAY DIVIDER								
B12 CCROTD	1	DR1224	1	DDF12	1	DRB12 X 21DP SG	1	ROTDKCC12
B15 CCROTD	1	DR1524	1	DDF15	1	DRB15 X 21DP SG	1	ROTDKCC15
BASE WITH BOTTOM MOUNT WASTEBASKET(S)								
BWBB15	1	DR1524 ND	1	DDF15	1	DRB15 X 21DP SG	1	BWBB15_OL KIT
BWBB15-2	1	DR1524 ND	1	DDF15	1	DRB15 X 21DP SG	1	BWBB15-2_OL KIT
BWBB18-2	1	DR1824 ND	1	DDF18	1	DRB18 X 21DP SG	1	BWBB18-2_OL KIT
BWBB21-2	1	DR2124 ND	1	DDF21	1	DRB21 X 21DP SG	1	BWBB21-2_OL KIT
BLIND PENINSULA CORNER								
PBC24	1	DR2424	1	DDF24	1	DRB24 X 21DP SG	1	24" SHELF PB 3/4
PBC24 BUTT	2	DR1224 BUTT	1	DDF24	1	DRB24 X 21DP SG	1	24" SHELF PB 3/4

Notes

SKU	Qty	DOOR		Qty	ADJUSTABLE SHELF/ACCESSORY
		Full Overlay	Partial Overlay		*For All Plywood Construction Adjustable Shelf, refer to Parts Directory legend
		Part Name	Part Name		*Part Name
FULL HEIGHT BASE					
TB9	1	DR9FH	DR930	-	N/A
B12 FH	1	DR12FH	DR1230	1	12" SHELF 3/4
B15 FH	1	DR15FH	DR1530	1	15" SHELF 3/4
B18 FH	1	DR18FH	DR1830	1	18" SHELF 3/4
B21 FH	1	DR21FH	DR2130	1	21" SHELF 3/4
B24 FH	1	DR24FH	DR2430	1	24" SHELF 3/4
B24 BUTT FH	2	DR12BUTT FH	DR1230 BUTT	1	24" SHELF 3/4
B27 BUTT FH	2	DR13BUTT FH	DR1330 BUTT	1	27" SHELF 3/4
B30 BUTT FH	2	DR15BUTT FH	DR1530 BUTT	1	30" SHELF 3/4
B33 BUTT FH	2	DR16BUTT FH	DR1630 BUTT	1	33" SHELF 3/4
B36 BUTT FH	2	DR18BUTT FH	DR1830 BUTT	1	36" SHELF 3/4
FULL HEIGHT BASE WITH ACCESSORY					
TB9 TDS	1	DR9FH	DR930	1	9" SHELF 24 DP 3/4
BTDP9 CC	1	DR9FH ND	DR930 ND	1	BTDP9 KIT CC
BTDP12 CC	1	DR12 FH ND	DR1230 ND	1	BTDP12 KIT CC
BPP9 CC	1	DR9FH ND	DR930 ND	1	BPP9 KIT CC
BPP12 CC	1	DR12 FH ND	DR1230 ND	1	BPP12 KIT CC
BPPUS9 CC	1	DR9FH ND	DR930 ND	1	BPPUS9 KIT CC
BPPUS12 CC	1	DR12FH ND	DR1230 ND	1	BPPUS12 KIT CC
FULL HEIGHT BASE WITH TWO SLIDING SHELVES					
B12 FH SS2	1	DR12FH	DR1230	2	SSK12
B15 FH SS2	1	DR15FH	DR1530	2	SSK15
B18 FH SS2	1	DR18FH	DR1830	2	SSK18
B21 FH SS2	1	DR21FH	DR2130	2	SSK21
B24 FH SS2	1	DR24FH	DR2430	2	SSK24
B24 BUTT FH SS2	2	DR12BUTT FH	DR1230 BUTT	2	SSK24
B27 BUTT FH SS2	2	DR13BUTT FH	DR1330 BUTT	2	SSK27
B30 BUTT FH SS2	2	DR15BUTT FH	DR1530 BUTT	2	SSK30
B33 BUTT FH SS2	2	DR16BUTT FH	DR1630 BUTT	2	SSK33
B36 BUTT FH SS2	2	DR18BUTT FH	DR1830 BUTT	2	SSK36
FULL HEIGHT BASE WITH FOUR SLIDING SHELVES					
B12 FH SS4	1	DR12FH	DR1230	4	SSK12
B15 FH SS4	1	DR15FH	DR1530	4	SSK15
B18 FH SS4	1	DR18FH	DR1830	4	SSK18
B21 FH SS4	1	DR21FH	DR2130	4	SSK21
B24 FH SS4	1	DR24FH	DR2430	4	SSK24
B24 BUTT FH SS4	2	DR12BUTT FH	DR1230 BUTT	4	SSK24
B27 BUTT FH SS4	2	DR13BUTT FH	DR1330 BUTT	4	SSK27
B30 BUTT FH SS4	2	DR15BUTT FH	DR1530 BUTT	4	SSK30
B33 BUTT FH SS4	2	DR16BUTT FH	DR1630 BUTT	4	SSK33
B36 BUTT FH SS4	2	DR18BUTT FH	DR1830 BUTT	4	SSK36
FULL-HEIGHT BASE MIXER LIFT					
B18 FH MLK	1	DR21FH	DR2130	1	BMLK18
FULL-HEIGHT BLIND BASE					
BLB36/39 FH	1	DR12FH	DR1230	1	27" SHELF 3/4
BLB39/42 FH	1	DR15FH	DR1530	1	33" SHELF 3/4
BLB42/45 FH	1	DR18FH	DR1830	1	39" SHELF 3/4
BLB45/48 FH	1	DR21FH	DR2130	1	45" SHELF 3/4
BLB48/51 FH	1	DR21FH	DR2130	1	48" SHELF 3/4
FULL-HEIGHT BLIND BASE - PULL OUT KIT					
BLB45/48 FH POK	1	DR21FH	DR2130	1	BLBPOK45
BLB48/51 FH POK	1	DR21FH	DR2130	1	BLBPOK45

SKU	Qty	DOOR		Qty	ADJUSTABLE SHELF/ACCESSORY
		Full Overlay	Partial Overlay		*For All Plywood Construction Adjustable Shelf, refer to Parts Directory legend
		Part Name	Part Name		*Part Name
FULL-HEIGHT BLIND BASE - SWING OUT KIT					
BLB45/48 FH SOKL	1	DR21FH	DR2130	1	BLBSOK45L
BLB45/48 FH SOKR	1	DR21FH	DR2130	1	BLBSOK45R
BLB48/51 FH SOKL	1	DR21FH	DR2130	1	BLBSOK45L
BLB48/51 FH SOKR	1	DR21FH	DR2130	1	BLBSOK45R
FULL-HEIGHT BASE WITH BOTTOM MOUNT WASTEBASKET(S)					
BWBB15 FH	1	DR15FH ND	DR1530 ND	1	BWBB15 FH _OL KIT
BWBB18 FH	1	DR18FH ND	DR1830 ND	1	BWBB18 FH _OL KIT
BWBB21-2 FH	1	DR21FH ND	DR2130 ND	1	BWBB21-2 FH _OL KIT
BASE END ANGLE					
BEA12 FH	1	DR15FH	DR1530	1	BEA12 SHELF 3/4
BEA24 FH	2	DR18FH	DR1830	1	BEA SHELF 3/4
FULL HEIGHT PENINSULA BASE					
PB12 FH	2	DR12FH	DR1230	1	12" SHELF PB 3/4
PB18 FH	2	DR18FH	DR1830	1	18" SHELF PB 3/4
PB24 BUTT FH	4	DR12BUTT FH	DR1230 BUTT	1	24" SHELF PB 3/4
PB30 BUTT FH	4	DR15BUTT FH	DR1530 BUTT	1	30" SHELF PB 3/4
PB36 BUTT FH	4	DR18BUTT FH	DR1830 BUTT	1	36" SHELF PB 3/4

SKU	Qty	DRAWER FRONT		DRAWER BODY
		Full Overlay	Partial Overlay	Part Name
		Part Name	Part Name	
FURNITURE DRAWERS - 12" DEEP - 6" HIGH				
FD121206	1	DDF12	DDF12	DRB12 X 9DP SG
FD151206	1	DDF15	DDF15	DRB15 X 9DP SG
FD181206	1	DDF18	DDF18	DRB18 X 9DP SG
FD211206	1	DDF21	DDF21	DRB21 X 9DP SG
FD241206	1	DDF24	DDF24	DRB24 X 9DP SG
FD271206	1	DDF27	DDF27	DRB27 X 9DP SG
FD301206	1	DDF30	DDF30	DRB30 X 9DP SG
FD331206	1	DDF33	DDF33	DRB33 X 9DP SG
FD361206	1	DDF36	DDF36	DRB36 X 9DP SG
FURNITURE DRAWERS - 24" DEEP - 6" HIGH				
FD122406	1	DDF12	DDF12	DRB12 X 21DP SG
FD152406	1	DDF15	DDF15	DRB15 X 21DP SG
FD182406	1	DDF18	DDF18	DRB18 X 21DP SG
FD212406	1	DDF21	DDF21	DRB21 X 21DP SG
FD242406	1	DDF24	DDF24	DRB24 X 21DP SG
FD272406	1	DDF27	DDF27	DRB27 X 21DP SG
FD302406	1	DDF30	DDF30	DRB30 X 21DP SG
FD332406	1	DDF33	DDF33	DRB33 X 21DP SG
FD362406	1	DDF36	DDF36	DRB36 X 21DP SG
FURNITURE DRAWERS - 12" DEEP - 12" HIGH				
FD121212	1	DDF12M	DDF12D	DRB12M X 9DP SG
FD151212	1	DDF15M	DDF15D	DRB15M X 9DP SG
FD181212	1	DDF18M	DDF18D	DRB18M X 9DP SG
FD211212	1	DDF21M	DDF21D	DRB21M X 9DP SG
FD241212	1	DDF24M	DDF24D	DRB24M X 9DP SG
FD271212	1	DDF27M	DDF27D	DRB27M X 9DP SG
FD301212	1	DDF30M	DDF30D	DRB30M X 9DP SG
FD331212	1	DDF33M	DDF33D	DRB33M X 9DP SG
FD361212	1	DDF36M	DDF36D	DRB36M X 9DP SG
FURNITURE DRAWERS - 24" DEEP - 12" HIGH				
FD122412	1	DDF12M	DDF12D	DRB12M X 21DP SG
FD152412	1	DDF15M	DDF15D	DRB15M X 21DP SG
FD182412	1	DDF18M	DDF18D	DRB18M X 21DP SG
FD212412	1	DDF21M	DDF21D	DRB21M X 21DP SG
FD242412	1	DDF24M	DDF24D	DRB24M X 21DP SG
FD272412	1	DDF27M	DDF27D	DRB27M X 21DP SG
FD302412	1	DDF30M	DDF30D	DRB30M X 21DP SG
FD332412	1	DDF33M	DDF33D	DRB33M X 21DP SG
FD362412	1	DDF36M	DDF36D	DRB36M X 21DP SG
PEDESTAL DRAWERS				
PD1217 1DWR	1	DDF12M	DDF12D	DRB12M X 21DP SG
PD1517 1DWR	1	DDF15M	DDF15D	DRB15M X 21DP SG
PD1817 1DWR	1	DDF18M	DDF18D	DRB18M X 21DP SG
PD2117 1DWR	1	DDF21M	DDF21D	DRB21M X 21DP SG
PD2417 1DWR	1	DDF24M	DDF24D	DRB24M X 21DP SG
PD2717 1DWR	1	DDF27M	DDF27D	DRB27M X 21DP SG
PD3017 1DWR	1	DDF30M	DDF30D	DRB30M X 21DP SG
PD3317 1DWR	1	DDF33M	DDF33D	DRB33M X 21DP SG
PD3617 1DWR	1	DDF36M	DDF36D	DRB36M X 21DP SG

SKU	Qty	DRAWER / PANEL FRONT		Qty	DRAWER BODY
		Full Overlay	Partial Overlay		Part Name
		Part Name	Part Name		
TWO DRAWER BASE					
DB21 2DWR	2	DDF21 2DB	DDF21 2DB	2	DRB21 HD X 21DPDTFD
DB24 2DWR	2	DDF24 2DB	DDF24 2DB	2	DRB24 HD X 21DPDTFD
DB27 2DWR	2	DDF27 2DB	DDF27 2DB	2	DRB27 HD X 21DPDTFD
DB30 2DWR	2	DDF30 2DB	DDF30 2DB	2	DRB30 HD X 21DPDTFD
DB33 2DWR	2	DDF33 2DB	DDF33 2DB	2	DRB33 HD X 21DPDTFD
DB36 2DWR	2	DDF36 2DB	DDF36 2DB	2	DRB36 HD X 21DPDTFD
TWO DRAWER BASE WITH PEG DISH ORGANIZER					
DB21 2DWR PDO	2	DDF21 2DB	DDF21 2DB	2	DRB21 HD X 21DPDTFD SDROT21
DB24 2DWR PDO	2	DDF24 2DB	DDF24 2DB	2	DRB24 HD X 21DPDTFD SDROT24
DB27 2DWR PDO	2	DDF27 2DB	DDF27 2DB	2	DRB27 HD X 21DPDTFD SDROT27
DB30 2DWR PDO	2	DDF30 2DB	DDF30 2DB	2	DRB30 HD X 21DPDTFD SDROT30
DB33 2DWR PDO	2	DDF33 2DB	DDF33 2DB	2	DRB33 HD X 21DPDTFD SDROT33
DB36 2DWR PDO	2	DDF36 2DB	DDF36 2DB	2	DRB36 HD X 21DPDTFD SDROT36
TWO DRAWER BASE WITH DEEP SLIDING SHELF					
DB21 2DWR SFWT	2	DDF21 2DB	DDF21 2DB	2	DRB21 HD X 21DPDTFD SDROT21
DB24 2DWR SFWT	2	DDF24 2DB	DDF24 2DB	2	DRB24 HD X 21DPDTFD SDROT24
DB27 2DWR SFWT	2	DDF27 2DB	DDF27 2DB	2	DRB27 HD X 21DPDTFD SDROT27
DB30 2DWR SFWT	2	DDF30 2DB	DDF30 2DB	2	DRB30 HD X 21DPDTFD SDROT30
DB33 2DWR SFWT	2	DDF33 2DB	DDF33 2DB	2	DRB33 HD X 21DPDTFD SDROT33
DB36 2DWR SFWT	2	DDF36 2DB	DDF36 2DB	2	DRB36 HD X 21DPDTFD SDROT36
TWO DRAWER BASE WITH SCALLOPED DEEP SLIDING SHELF & PEG DISH ORGANIZER					
DB21 2DWR SFWT PDO	2	DDF21 2DB	DDF21 2DB	2	DRB21 HD X 21DPDTFD SDROT21
DB24 2DWR SFWT PDO	2	DDF24 2DB	DDF24 2DB	2	DRB24 HD X 21DPDTFD SDROT24
DB27 2DWR SFWT PDO	2	DDF27 2DB	DDF27 2DB	2	DRB27 HD X 21DPDTFD SDROT27
DB30 2DWR SFWT PDO	2	DDF30 2DB	DDF30 2DB	2	DRB30 HD X 21DPDTFD SDROT30
DB33 2DWR SFWT PDO	2	DDF33 2DB	DDF33 2DB	2	DRB33 HD X 21DPDTFD SDROT33
DB36 2DWR SFWT PDO	2	DDF36 2DB	DDF36 2DB	2	DRB36 HD X 21DPDTFD SDROT36
THREE DRAWER BASE					
DB12	1 2	DDF12 DDF12M	DDF12 DDF12D	1 2	DRB12 X 21DP SG DRB12M X 21DP SG
DB15	1 2	DDF15 DDF15M	DDF15 DDF15D	1 2	DRB15 X 21DP SG DRB15M X 21DP SG
DB18	1 2	DDF18 DDF18M	DDF18 DDF18D	1 2	DRB18 X 21DP SG DRB18M X 21DP SG
DB21	1 2	DDF21 DDF21M	DDF21 DDF21D	1 2	DRB21 X 21DP SG DRB21M X 21DP SG
DB24	1 2	DDF24 DDF24M	DDF24 DDF24D	1 2	DRB24 X 21DP SG DRB24M X 21DP SG
DB27	1 2	DDF27 DDF27M	DDF27 DDF27D	1 2	DRB27 X 21DP SG DRB27M X 21DP SG
DB30	1 2	DDF30 DDF30M	DDF30 DDF30D	1 2	DRB30 X 21DP SG DRB30M X 21DP SG
DB33	1 2	DDF33 DDF33M	DDF33 DDF33D	1 2	DRB33 X 21DP SG DRB33M X 21DP SG
DB36 1TD	1 2	DDF36 DDF36M	DDF36 DDF36D	1 2	DRB36 X 21DP SG DRB36M X 21DP SG

SKU	Qty	DRAWER / PANEL FRONT		Qty	DRAWER BODY
		Full Overlay	Partial Overlay		
		Part Name	Part Name		
THREE DRAWER BASE WITH FACTORY INSTALLED WOOD TIERED CUTLERY DIVIDER					
DB15 WTCD	1	DDF15	DDF15	1	WTCDFD15
	2	DDF15M	DDF15D	2	DRB24M X 21DP SG
DB18 WTCD	1	DDF18	DDF18	1	WTCDFD18
	2	DDF18M	DDF18D	2	DRB24M X 21DP SG
DB21 WTCD	1	DDF21	DDF21	1	WTCDFD21
	2	DDF21M	DDF21D	2	DRB24M X 21DP SG
DB24 WTCD	1	DDF24	DDF24	1	WTCDFD24
	2	DDF24M	DDF24D	2	DRB24M X 21DP SG
DB30 WTCD	1	DDF30	DDF30	1	WTCDFD30
	2	DDF30M	DDF30D	2	DRB30M X 21DP SG
DB36 1TD WTCD	1	DDF36	DDF36	1	WTCDFD36
	2	DDF36M	DDF36D	2	DRB36M X 21DP SG
THREE DRAWER BASE WITH FACTORY INSTALLED CUTLERY DIVIDER					
DB15 CD	1	DDF15	DDF15	1	DRB15 X 21DP DT FD
	2	DDF15M	DDF15D	2	DRB15M X 21DP SG
DB18 CD	1	DDF18	DDF18	1	DRB18 X 21DP DT FD
	2	DDF18M	DDF18D	2	DRB18M X 21DP SG
DB21 CD	1	DDF21	DDF21	1	DRB21 X 21DP DT FD
	2	DDF21M	DDF21D	2	DRB21M X 21DP SG
DB24 CD	1	DDF24	DDF24	1	DRB24 X 21DP DT FD
	2	DDF24M	DDF24D	2	DRB24M X 21DP SG
DB30 CD	1	DDF30	DDF30	1	DRB30 X 21DP DT FD
	2	DDF30M	DDF30D	2	DRB30M X 21DP SG
DB36 1TD CD	1	DDF36	DDF36	1	DRB36 X 21DP DT FD
	2	DDF36M	DDF36D	2	DRB36M X 21DP SG
THREE DRAWER BASE WITH FACTORY INSTALLED SPICE DRAWER					
DB15 SDI	1	DDF15	DDF15	1	DRB15 X 21DP DT FD
	2	DDF15M	DDF15D	2	DRB15M X 21DP SG
DB18 SDI	1	DDF18	DDF18	1	DRB18 X 21DP DT FD
	2	DDF18M	DDF18D	2	DRB18M X 21DP SG
DB21 SDI	1	DDF21	DDF21	1	DRB21 X 21DP DT FD
	2	DDF21M	DDF21D	2	DRB21M X 21DP SG
DB24 SDI	1	DDF24	DDF24	1	DRB24 X 21DP DT FD
	2	DDF24M	DDF24D	2	DRB24M X 21DP SG
FOUR DRAWER BASE					
DB12 4DWR	3	DDF12	DDF12	3	DRB12 X 21DP SG
	1	DDF12M	DDF12D	1	DRB12M X 21DP SG
DB15 4DWR	3	DDF15	DDF15	3	DRB15 X 21DP SG
	1	DDF15M	DDF15D	1	DRB15M X 21DP SG
DB18 4DWR	3	DDF18	DDF18	3	DRB18 X 21DP SG
	1	DDF18M	DDF18D	1	DRB18M X 21DP SG
DB21 4DWR	3	DDF21	DDF21	3	DRB21 X 21DP SG
	1	DDF21M	DDF21D	1	DRB21M X 21DP SG
DB24 4DWR	3	DDF24	DDF24	3	DRB24 X 21DP SG
	1	DDF24M	DDF24D	1	DRB24M X 21DP SG
FOUR DRAWER BASE WITH FACTORY INSTALLED WOOD TIERED CUTLERY DIVIDER					
DB15 4DWR WTCD	1	DDF15	DDF15	1	WTCDFD15
	2	DDF15	DDF15	2	DRB15 X 21DP SG
	1	DDF15M	DDF15D	1	DRB15M X 21DP SG
DB18 4DWR WTCD	1	DDF18	DDF18	1	WTCDFD18
	2	DDF18	DDF18	2	DRB18 X 21DP SG
	1	DDF18M	DDF18D	1	DRB18M X 21DP SG
DB21 4DWR WTCD	1	DDF21	DDF21	1	WTCDFD21
	2	DDF21	DDF21	2	DRB21 X 21DP SG
	1	DDF21M	DDF21D	1	DRB21M X 21DP SG
DB24 4DWR WTCD	1	DDF24	DDF24	1	WTCDFD24
	2	DDF24	DDF24	2	DRB24 X 21DP SG
	1	DDF24M	DDF24D	1	DRB24M X 21DP SG

SKU	Qty	DRAWER / PANEL FRONT		Qty	DRAWER BODY
		Full Overlay	Partial Overlay		Part Name
		Part Name	Part Name		
FOUR DRAWER BASE WITH FACTORY INSTALLED CUTLERY DIVIDER					
DB15 4DWR CD	3 1	DDF15 DDF15M	DDF15 DDF15D	1 2 1	DRB15 X 21DP DT FD DRB15 X 21DP SG DRB15M X 21DP SG
DB18 4DWR CD	3 1	DDF18 DDF18M	DDF18 DDF18D	1 2 1	DRB18 X 21DP DT FD DRB18 X 21DP SG DRB18M X 21DP SG
DB21 4DWR CD	3 1	DDF21 DDF21M	DDF21 DDF21D	1 2 1	DRB21 X 21DP DT FD DRB21 X 21DP SG DRB21M X 21DP SG
DB24 4DWR CD	3 1	DDF24 DDF24M	DDF24 DDF24D	1 2 1	DRB24 X 21DP DT FD DRB24 X 21DP SG DRB24M X 21DP SG
FOUR DRAWER BASE WITH FACTORY INSTALLED SPICE DRAWER INSERT					
DB15 4DWR SDI	3 1	DDF15 DDF15M	DDF15 DDF15D	1 2 1	DRB15 X 21DP DT FD DRB15 X 21DP SG DRB15M X 21DP SG
DB18 4DWR SDI	3 1	DDF18 DDF18M	DDF18 DDF18D	1 2 1	DRB18 X 21DP DT FD DRB18 X 21DP SG DRB18M X 21DP SG
DB21 4DWR SDI	3 1	DDF21 DDF21M	DDF21 DDF21D	1 2 1	DRB21 X 21DP DT FD DRB21 X 21DP SG DRB21M X 21DP SG
DB24 4DWR SDI	3 1	DDF24 DDF24M	DDF24 DDF24D	1 2 1	DRB24 X 21DP DT FD DRB24 X 21DP SG DRB24M X 21DP SG
BUILT-IN BASE MICROWAVE CABINET					
BBMC24	1	DDF24	DDF24	1	DRB21 X 21DP SG
BBMC27	1	DDF27	DDF27	1	DRB24 X 21DP SG
BBMC30	1	DDF30	DDF30	1	DRB27 X 21DP SG
BASE MICROWAVE CABINET					
BMC24	2	DDF24	DDF24	2	DRB24 X 21DP SG
BMC27	2	DDF27	DDF27	2	DRB27 X 21DP SG
BMC30	2	DDF30	DDF30	2	DRB30 X 21DP SG
BASE SPICE DRAWER CABINET					
BSDC6	5	DDF SDC	DDF SDC	5	DRB6 BSDC6
WALL SPICE DRAWER CABINET					
SDC18	3	DDF SDC	DDF SDC	3	DRB6 SDC30
SDC24	4	DDF SDC	DDF SDC	4	DRB6 SDC30
SDC30	5	DDF SDC	DDF SDC	5	DRB6 SDC30
SDC36	6	DDF SDC	DDF SDC	6	DRB6 SDC30

SKU	Qty	DOOR		PANEL	
		Part Name	Qty	Part Name	Qty
CORNER SINK BASE					
CSB36	1	DR1524	1	DDF15	
CORNER SINK FRONT					
CSF36	1	DR1524	1	DDF15	
CSF42	1	DR2424	1	DDF24	
DEEP SINK/RANGE BASE					
DSB30 BUTT	2	DR1521 BUTT	-	N/A	
DSB33 BUTT	2	DR1621 BUTT	-	N/A	
DSB36 BUTT	2	DR1821 BUTT	-	N/A	
DSB39	2	DR1921	-	N/A	
SINK BASE MULTI-STORAGE					
SBMSC30 BUTT STO	2	DR1524 BUTT	1	DDF30 DRILL	
SBMSC36 BUTT STO	2	DR1824 BUTT	1	DDF36 DRILL	
SINK/COOKTOP BASE AND FRONT					
SF12	1	DR1224	1	DDF12	
SF15	1	DR1524	1	DDF15	
SB18 / SF18	1	DR1824	1	DDF18	
SB21 / SF21	1	DR2124	1	DDF21	
SB24 / SF24	1	DR2424	1	DDF24	
SB24 BUTT / SF24 BUTT	2	DR1224 BUTT	1	DDF24	
SB27 BUTT / SF27 BUTT	2	DR1324 BUTT	1	DDF27	
SB30 BUTT / SF30 BUTT	2	DR1524 BUTT	1	DDF30	
SB33 BUTT / SF33 BUTT	2	DR1624 BUTT	1	DDF33	
SB36 BUTT / SF36 BUTT	2	DR1824 BUTT	1	DDF36	
SB39 / SF39	2	DR1924	2	DDF19	
SB42 / SF42	2	DR2124	2	DDF21	
SB45 / SF45	3	DR1524	3	DDF15	
SB48 / SF48	2	DR2424	2	DDF24	
SINK BASE WITH FACTORY INSTALLED TILT-OUT TRAY(S)					
SB21 STO	1	DR2124	1	DDF21 DRILL	
SB24 STO	1	DR2424	1	DDF24 DRILL	
SB24 BUTT STO	2	DR1224 BUTT	1	DDF24 DRILL	
SB27 BUTT STO	2	DR1324 BUTT	1	DDF27 DRILL	
SB30 BUTT STO	2	DR1524 BUTT	1	DDF30 DRILL	
SB33 BUTT STO	2	DR1624 BUTT	1	DDF33 DRILL	
SB36 BUTT STO	2	DR1824 BUTT	1	DDF36 DRILL	
SB39 STO	2	DR1924	2	DDF19 DRILL	
SB42 STO	2	DR2124	2	DDF21 DRILL	
SB48 STO	2	DR2424	2	DDF24 DRILL	
BASE PLUMBING SKIRT					
BPS30 UD	-	N/A	1	DDFKDC33/27	
BPS36 UD	-	N/A	1	DDFKDC36/33	
BPS3034 UD	-	N/A	1	DDFKDC33/27	
BPS3634 UD	-	N/A	1	DDFKDC36/33	
ADAPTABLE SINK BASE KIT					
ASB3032 KIT	2	DR1521 BUTT	-	N/A	
ASB3632 KIT	2	DR1821 BUTT	-	N/A	
ASB3034 KIT	2	DR1524 BUTT	-	N/A	
ASB3634 KIT	2	DR1824 BUTT	-	N/A	

SKU	DOOR		SPIN UNIT	
	Qty	Part Name	Qty	Part Name
CORNER BASE				
BER33 (L/R)	1 1	DR930 BER DRILL DR930 BER ND	-	N/A
BER3336L	1 1	DR930 BER DRILL DR1230 BER ND	-	N/A
BER3336R	1 1	DR930 BER ND DR1230 BER DRILL	-	N/A
BER36 (L/R)	1 1	DR1230 BER DRILL DR1230 BER ND	-	N/A
BER3633L	1 1	DR1230 BER DRILL DR930 BER ND	-	N/A
BER3633R	1 1	DR1230 BER ND DR930 BER DRILL	-	N/A
BSS33 (L/R)	1 1	DR930 BER DRILL DR930 BER ND	1	BSS33 UNIT RAS
BSS33 (L/R) WD	1 1	DR930 BER DRILL DR930 BER ND	2	BSS33 SHELF WD NP
BSS3336L	1 1	DR930 BER DRILL DR1230 BER ND	1	BSS33 UNIT RAS
BSS3336L WD	1 1	DR930 BER DRILL DR1230 BER ND	2	BSS3336 SHELF WD NP
BSS3336R	1 1	DR930 BER ND DR1230 BER DRILL	1	BSS33 UNIT RAS
BSS3336R WD	1 1	DR930 BER ND DR1230 BER DRILL	2	BSS3336 SHELF WD NP
BSS36 (L/R)	1 1	DR1230 BER DRILL DR1230 BER ND	1	BSS36 UNIT RAS
BSS36 (L/R) WD	1 1	DR1230 BER DRILL DR1230 BER ND	2	BSS36 SHELF WD NP
BSS3633L	1 1	DR1230 BER DRILL DR930 BER ND	1	BSS33 UNIT RAS
BSS3633L WD	1 1	DR1230 BER DRILL DR930 BER ND	2	BSS3633 SHELF WD NP
BSS3633R	1 1	DR1230 BER ND DR930 BER DRILL	1	BSS33 UNIT RAS
BSS3633R WD	1 1	DR1230 BER ND DR930 BER DRILL	2	BSS3633 SHELF WD NP
CAR36 (L/R)	1 1	DR1230 BER DRILL DR1230 BER ND	1	CAR36 UNIT RAS
CAR36 (L/R) WD	1 1	DR1230 BER DRILL DR1230 BER ND	2 1 1	CAR36 SHELF WD BSSCWSCAR T-SHAFT RA WOOD SPIN SHELF HDW
CBS36	1	DRCBS36	1	CBS36 UNIT RAS
CBS36 WD	1	DRCBS36	2	CBS SHELF WD NP

SKU	Qty	DOOR	SPECIALTY DOOR	GLASS INSERT	Qty	ADJUSTABLE SHELF
						*For All Plywood Construction and/or Matching Interior Adjustable Shelf, refer to Parts Directory legend
		Part Name	Part Name	Part Name		*Part Name
UTILITY WITH ADJUSTABLE SHELVES - 12" DEEP X 84" HIGH						
UT1212 X 84 AS	1 1	DR1230 DR1250	DR1230 SD	DGI-1230	5	S1212
UT1512 X 84 AS	1 1	DR1530 DR1550	DR1530 SD	DGI-1530	5	S1512
UT1812 X 84 AS	1 1	DR1830 DR1850	DR1830 SD	DGI-1830	5	S1812
UT2112 X 84 AS	1 1	DR2130 DR2150	DR2130 SD	DGI-2130	5	S2112
UT2412 X 84 AS BUTT	2 2	DR1230 BUTT DR1250 BUTT	DR1230 BUTT SD	DGI-1230 BUTT	5	S2412
UTILITY WITH ADJUSTABLE SHELVES - 12" DEEP X 90" HIGH						
UT1212 X 90 AS	1 1	DR1236 DR1250	DR1236 SD	DGI-1236	6	S1212
UT1512 X 90 AS	1 1	DR1536 DR1550	DR1536 SD	DGI-1536	6	S1512
UT1812 X 90 AS	1 1	DR1836 DR1850	DR1836 SD	DGI-1836	6	S1812
UT2112 X 90 AS	1 1	DR2136 DR2150	DR2136 SD	DGI-2136	6	S2112
UT2412 X 90 AS BUTT	2 2	DR1236 BUTT DR1250 BUTT	DR1236 BUTT SD	DGI-1236 BUTT	6	S2412
UTILITY WITH ADJUSTABLE SHELVES - 12" DEEP X 93" HIGH						
UT1212 X 93 AS	1 1	DR1239 DR1250	DR1239 SD	DGI-1239	7	S1212
UT1512 X 93 AS	1 1	DR1539 DR1550	DR1539 SD	DGI-1539	7	S1512
UT1812 X 93 AS	1 1	DR1839 DR1850	DR1839 SD	DGI-1839	7	S1812
UT2112 X 93 AS	1 1	DR2139 DR2150	DR2139 SD	DGI-2139	7	S2112
UT2412 X 93 AS BUTT	2 2	DR1239 BUTT DR1250 BUTT	DR1239 BUTT SD	DGI-1239 BUTT	7	S2412
UTILITY WITH ADJUSTABLE SHELVES - 12" DEEP X 96" HIGH						
UT1212 X 96 AS	1 1	DR1242 DR1250	DR1242 SD	DGI-1242	7	S1212
UT1512 X 96 AS	1 1	DR1542 DR1550	DR1542 SD	DGI-1542	7	S1512
UT1812 X 96 AS	1 1	DR1842 DR1850	DR1842 SD	DGI-1842	7	S1812
UT2112 X 96 AS	1 1	DR2142 DR2150	DR2142 SD	DGI-2142	7	S2112
UT2412 X 96 AS BUTT	2 2	DR1242 BUTT DR1250 BUTT	DR1242 BUTT SD	DGI-1242 BUTT	7	S2412
UTILITY WITH ADJUSTABLE SHELVES - 24" DEEP X 84" HIGH						
UT1224 X 84 AS	1 1	DR1230 DR1250	DR1230 SD	DGI-1230	5	S1224
UT1524 X 84 AS	1 1	DR1530 DR1550	DR1530 SD	DGI-1530	5	S1524
UT1824 X 84 AS	1 1	DR1830 DR1850	DR1830 SD	DGI-1830	5	S1824
UT2124 X 84 AS	1 1	DR2130 DR2150	DR2130 SD	DGI-2130	5	S2124
UT2424 X 84 AS BUTT	2 2	DR1230 BUTT DR1250 BUTT	DR1230 BUTT SD	DGI-1230 BUTT	5	S2424
UT2724 X 84 AS BUTT	2 2	DR1330 BUTT DR1350 BUTT	DR1330 BUTT SD	DGI-1330 BUTT	5	S2724
UT3024 X 84 AS BUTT	2 2	DR1530 BUTT DR1550 BUTT	DR1530 BUTT SD	DGI-1530 BUTT	5	S3024
UT3324 X 84 AS BUTT	2 2	DR1630 BUTT DR1650 BUTT	DR1630 BUTT SD	DGI-1630 BUTT	5	S3324
UT3624 X 84 AS BUTT	2 2	DR1830 BUTT DR1850 BUTT	DR1830 BUTT SD	DGI-1830 BUTT	5	S3624

SKU	Qty	DOOR	SPECIALTY DOOR	GLASS INSERT	Qty	ADJUSTABLE SHELF		
		*For All Plywood Construction and/or Matching Interior Adjustable Shelf, refer to Parts Directory legend						
		Part Name	Part Name	Part Name		*Part Name		
UTILITY WITH ADJUSTABLE SHELVES - 24" DEEP X 90" HIGH								
UT1224 X 90 AS	1 1	DR1236 DR1250	DR1236 SD	DGI-1236	6	S1224		
UT1524 X 90 AS	1 1	DR1536 DR1550	DR1536 SD	DGI-1536	6	S1524		
UT1824 X 90 AS	1 1	DR1836 DR1850	DR1836 SD	DGI-1836	6	S1824		
UT2124 X 90 AS	1 1	DR2136 DR2150	DR2136 SD	DGI-2136	6	S2124		
UT2424 X 90 AS BUTT	2 2	DR1236 BUTT DR1250 BUTT	DR1236 BUTT SD	DGI-1236 BUTT	6	S2424		
UT2724 X 90 AS BUTT	2 2	DR1336 BUTT DR1350 BUTT	DR1336 BUTT SD	DGI-1336 BUTT	6	S2724		
UT3024 X 90 AS BUTT	2 2	DR1536 BUTT DR1550 BUTT	DR1536 BUTT SD	DGI-1536 BUTT	6	S3024		
UT3324 X 90 AS BUTT	2 2	DR1636 BUTT DR1650 BUTT	DR1636 BUTT SD	DGI-1636 BUTT	6	S3324		
UT3624 X 90 AS BUTT	2 2	DR1836 BUTT DR1850 BUTT	DR1836 BUTT SD	DGI-1836 BUTT	6	S3624		
UTILITY WITH ADJUSTABLE SHELVES - 24" DEEP X 93" HIGH								
UT1224 X 93 AS	1 1	DR1239 DR1250	DR1239 SD	DGI-1239	7	S1224		
UT1524 X 93 AS	1 1	DR1539 DR1550	DR1539 SD	DGI-1539	7	S1524		
UT1824 X 93 AS	1 1	DR1839 DR1850	DR1839 SD	DGI-1839	7	S1824		
UT2124 X 93 AS	1 1	DR2139 DR2150	DR2139 SD	DGI-2139	7	S2124		
UT2424 X 93 AS BUTT	2 2	DR1239 BUTT DR1250 BUTT	DR1239 BUTT SD	DGI-1239 BUTT	7	S2424		
UT2724 X 93 AS BUTT	2 2	DR1339 BUTT DR1350 BUTT	DR1339 BUTT SD	DGI-1339 BUTT	7	S2724		
UT3024 X 93 AS BUTT	2 2	DR1539 BUTT DR1550 BUTT	DR1539 BUTT SD	DGI-1539 BUTT	7	S3024		
UT3324 X 93 AS BUTT	2 2	DR1639 BUTT DR1650 BUTT	DR1639 BUTT SD	DGI-1639 BUTT	7	S3324		
UT3624 X 93 AS BUTT	2 2	DR1839 BUTT DR1850 BUTT	DR1839 BUTT SD	DGI-1839 BUTT	7	S3624		
UTILITY WITH ADJUSTABLE SHELVES - 24" DEEP X 96" HIGH								
UT1224 X 96 AS	1 1	DR1242 DR1250	DR1242 SD	DGI-1242	7	S1224		
UT1524 X 96 AS	1 1	DR1542 DR1550	DR1542 SD	DGI-1542	7	S1524		
UT1824 X 96 AS	1 1	DR1842 DR1850	DR1842 SD	DGI-1842	7	S1824		
UT2124 X 96 AS	1 1	DR2142 DR2150	DR2142 SD	DGI-2142	7	S2124		
UT2424 X 96 AS BUTT	2 2	DR1242 BUTT DR1250 BUTT	DR1242 BUTT SD	DGI-1242 BUTT	7	S2424		
UT2724 X 96 AS BUTT	2 2	DR1342 BUTT DR1350 BUTT	DR1342 BUTT SD	DGI-1342 BUTT	7	S2724		
UT3024 X 96 AS BUTT	2 2	DR1542 BUTT DR1550 BUTT	DR1542 BUTT SD	DGI-1542 BUTT	7	S3024		
UT3324 X 96 AS BUTT	2 2	DR1642 BUTT DR1650 BUTT	DR1642 BUTT SD	DGI-1642 BUTT	7	S3324		
UT3624 X 96 AS BUTT	2 2	DR1842 BUTT DR1850 BUTT	DR1842 BUTT SD	DGI-1842 BUTT	7	S3624		

SKU	Qty	DOOR	SPECIALTY DOOR	GLASS INSERT	Qty	ADJUSTABLE SHELF
		Part Name	Part Name	Part Name		*Part Name
		*For All Plywood Construction and/or Matching Interior Adjustable Shelf, refer to Parts Directory legend				
UTILITY WITH SLIDING SHELVES - 84" HIGH						
UT1224 X 84 4SSK	1 1	DR1230 DR1250	DR1230 SD	DGI-1230	1 4	S1224 SSK12
UT1524 X 84 4SSK	1 1	DR1530 DR1550	DR1530 SD	DGI-1530	1 4	S1524 SSK15
UT1824 X 84 4SSK	1 1	DR1830 DR1850	DR1830 SD	DGI-1830	1 4	S1824 SSK18
UT2124 X 84 4SSK	1 1	DR2130 DR2150	DR2130 SD	DGI-2130	1 4	S2124 SSK21
UT2424 X 84 4SSK BUTT	2 2	DR1230 BUTT DR1250 BUTT	DR1230 BUTT SD	DGI-1230 BUTT	1 4	S2424 SSK24
UT2724 X 84 4SSK BUTT	2 2	DR1330 BUTT DR1350 BUTT	DR1330 BUTT SD	DGI-1330 BUTT	1 4	S2724 SSK27
UT3024 X 84 4SSK BUTT	2 2	DR1530 BUTT DR1550 BUTT	DR1530 BUTT SD	DGI-1530 BUTT	1 4	S3024 SSK30
UT3324 X 84 4SSK BUTT	2 2	DR1630 BUTT DR1650 BUTT	DR1630 BUTT SD	DGI-1630 BUTT	1 4	S3324 SSK33
UT3624 X 84 4SSK BUTT	2 2	DR1830 BUTT DR1850 BUTT	DR1830 BUTT SD	DGI-1830 BUTT	1 4	S3624 SSK36
UTILITY WITH SLIDING SHELVES - 90" HIGH						
UT1224 X 90 4SSK	1 1	DR1236 DR1250	DR1236 SD	DGI-1236	2 4	S1224 SSK12
UT1524 X 90 4SSK	1 1	DR1536 DR1550	DR1536 SD	DGI-1536	2 4	S1524 SSK15
UT1824 X 90 4SSK	1 1	DR1836 DR1850	DR1836 SD	DGI-1836	2 4	S1824 SSK18
UT2124 X 90 4SSK	1 1	DR2136 DR2150	DR2136 SD	DGI-2136	2 4	S2124 SSK21
UT2424 X 90 4SSK BUTT	2 2	DR1236 BUTT DR1250 BUTT	DR1236 BUTT SD	DGI-1236 BUTT	2 4	S2424 SSK24
UT2724 X 90 4SSK BUTT	2 2	DR1336 BUTT DR1350 BUTT	DR1336 BUTT SD	DGI-1336 BUTT	2 4	S2724 SSK27
UT3024 X 90 4SSK BUTT	2 2	DR1536 BUTT DR1550 BUTT	DR1536 BUTT SD	DGI-1536 BUTT	2 4	S3024 SSK30
UT3324 X 90 4SSK BUTT	2 2	DR1636 BUTT DR1650 BUTT	DR1636 BUTT SD	DGI-1636 BUTT	2 4	S3324 SSK33
UT3624 X 90 4SSK BUTT	2 2	DR1836 BUTT DR1850 BUTT	DR1836 BUTT SD	DGI-1836 BUTT	2 4	S3624 SSK36
UTILITY WITH SLIDING SHELVES - 93" HIGH						
UT1224 X 93 4SSK	1 1	DR1239 DR1250	DR1239 SD	DGI-1239	3 4	S1224 SSK12
UT1524 X 93 4SSK	1 1	DR1539 DR1550	DR1539 SD	DGI-1539	3 4	S1524 SSK15
UT1824 X 93 4SSK	1 1	DR1839 DR1850	DR1839 SD	DGI-1839	3 4	S1824 SSK18
UT2124 X 93 4SSK	1 1	DR2139 DR2150	DR2139 SD	DGI-2139	3 4	S2124 SSK21
UT2424 X 93 4SSK BUTT	2 2	DR1239 BUTT DR1250 BUTT	DR1239 BUTT SD	DGI-1239 BUTT	3 4	S2424 SSK24
UT2724 X 93 4SSK BUTT	2 2	DR1339 BUTT DR1350 BUTT	DR1339 BUTT SD	DGI-1339 BUTT	3 4	S2724 SSK27
UT3024 X 93 4SSK BUTT	2 2	DR1539 BUTT DR1550 BUTT	DR1539 BUTT SD	DGI-1539 BUTT	3 4	S3024 SSK30
UT3324 X 93 4SSK BUTT	2 2	DR1639 BUTT DR1650 BUTT	DR1639 BUTT SD	DGI-1639 BUTT	3 4	S3324 SSK33
UT3624 X 93 4SSK BUTT	2 2	DR1839 BUTT DR1850 BUTT	DR1839 BUTT SD	DGI-1839 BUTT	3 4	S3624 SSK36

SKU	Qty	DOOR	SPECIALTY DOOR	GLASS INSERT	Qty	ADJUSTABLE SHELF
		Part Name	Part Name	Part Name		*For All Plywood Construction and/or Matching Interior Adjustable Shelf, refer to Parts Directory legend
						*Part Name
UTILITY WITH SLIDING SHELVES - 96" HIGH						
UT1224 X 96 4SSK	1 1	DR1242 DR1250	DR1242 SD	DGI-1242	3 4	S1224 SSK12
UT1524 X 96 4SSK	1 1	DR1542 DR1550	DR1542 SD	DGI-1542	3 4	S1524 SSK15
UT1824 X 96 4SSK	1 1	DR1842 DR1850	DR1842 SD	DGI-1842	3 4	S1824 SSK18
UT2124 X 96 4SSK	1 1	DR2142 DR2150	DR2142 SD	DGI-2142	3 4	S2124 SSK21
UT2424 X 96 4SSK BUTT	2 2	DR1242 BUTT DR1250 BUTT	DR1242 BUTT SD	DGI-1242 BUTT	3 4	S2424 SSK24
UT2724 X 96 4SSK BUTT	2 2	DR1342 BUTT DR1350 BUTT	DR1342 BUTT SD	DGI-1342 BUTT	3 4	S2724 SSK27
UT3024 X 96 4SSK BUTT	2 2	DR1542 BUTT DR1550 BUTT	DR1542 BUTT SD	DGI-1542 BUTT	3 4	S3024 SSK30
UT3324 X 96 4SSK BUTT	2 2	DR1642 BUTT DR1650 BUTT	DR1642 BUTT SD	DGI-1642 BUTT	3 4	S3324 SSK33
UT3624 X 96 4SSK BUTT	2 2	DR1842 BUTT DR1850 BUTT	DR1842 BUTT SD	DGI-1842 BUTT	3 4	S3624 SSK36

SKU	Qty	DOOR		SHELF / ACCESSORY		DRAWER FRONT		DRAWER BODY	
		Part Name	Qty	*For All Plywood Construction Adjustable Shelf, refer to Parts Directory legend		Full Overlay	Partial Overlay	Part Name	
				*Part Name	Qty				Part Name
SINGLE OVEN CABINETS WITH 4 BUTT DOORS AND 1 DRAWER - 84" HIGH									
OVS2784 BUTT 1DWR	2	DR1318 BUTT	-	N/A		-	DDF27	DDF27	DRB24 X 21DP SG
	2	DR1324 BUTT							
OVS3084 BUTT 1DWR	2	DR1518 BUTT	-	N/A		-	DDF30	DDF30	DRB27 X 21DP SG
	2	DR1524 BUTT							
OVS3384 BUTT 1DWR	2	DR1618 BUTT	-	N/A		-	DDF33	DDF33	DRB30 X 21DP SG
	2	DR1624 BUTT							
SINGLE OVEN CABINETS WITH 4 BUTT DOORS AND 1 DRAWER - 90" HIGH									
OVS2790 AS BUTT 1DWR	4	DR1324 BUTT	1	S2724		1	DDF27	DDF27	DRB24 X 21DP SG
OVS3090 AS BUTT 1DWR	4	DR1524 BUTT	1	S3024		1	DDF30	DDF30	DRB27 X 21DP SG
OVS3390 AS BUTT 1DWR	4	DR1624 BUTT	1	S3324		1	DDF33	DDF33	DRB30 X 21DP SG
SINGLE OVEN CABINETS WITH 4 BUTT DOORS AND 1 DRAWER - 93" HIGH									
OVS2793 AS BUTT 1DWR	2	DR1327 BUTT	1	S2724		2	DDF27	DDF27	DRB24 X 21DP SG
	2	DR1324 BUTT							
OVS3093 AS BUTT 1DWR	2	DR1527 BUTT	1	S3024		2	DDF30	DDF30	DRB27 X 21DP SG
	2	DR1524 BUTT							
OVS3393 AS BUTT 1DWR	2	DR1627 BUTT	1	S3324		2	DDF33	DDF33	DRB30 X 21DP SG
	2	DR1624 BUTT							
SINGLE OVEN CABINETS WITH 4 BUTT DOORS AND 1 DRAWER - 96" HIGH									
OVS2796 AS BUTT 1DWR	2	DR1330 BUTT	1	S2724		2	DDF27	DDF27	DRB24 X 21DP SG
	2	DR1324 BUTT							
OVS3096 AS BUTT 1DWR	2	DR1530 BUTT	1	S3024		2	DDF30	DDF30	DRB27 X 21DP SG
	2	DR1524 BUTT							
OVS3396 AS BUTT 1DWR	2	DR1630 BUTT	1	S3324		2	DDF33	DDF33	DRB30 X 21DP SG
	2	DR1624 BUTT							
SINGLE OVEN CABINETS WITH 4 BUTT DOORS, 1 DRAWER AND 1 POT & PAN ORGANIZER - 84" HIGH									
OVS2784 BUTT 1DWR CCBPPO	2	DR1318 BUTT		N/A		1	DDF27	DDF27	DRB24 X 21DP SG
	2	DR1324 BUTT	1	BPPOKCC24					
OVS3084 BUTT 1DWR CCBPPO	2	DR1518 BUTT		N/A		1	DDF30	DDF30	DRB27 X 21DP SG
	2	DR1524 BUTT	1	BPPOKCC27					
OVS3384 BUTT 1DWR CCBPPO	2	DR1618 BUTT		N/A		1	DDF33	DDF33	DRB30 X 21DP SG
	2	DR1624 BUTT	1	BPPOKCC30					
SINGLE OVEN CABINETS WITH 4 BUTT DOORS, 1 DRAWER AND 1 POT & PAN ORGANIZER - 90" HIGH									
OVS2790 BUTT 1DWR CCBPPO	4	DR1324 BUTT	1	S2724		1	DDF27	DDF27	DRB24 X 21DP SG
			1	BPPOKCC24					
OVS3090 BUTT 1DWR CCBPPO	4	DR1524 BUTT	1	S3024		1	DDF30	DDF30	DRB27 X 21DP SG
			1	BPPOKCC27					
OVS3390 BUTT 1DWR CCBPPO	4	DR1624 BUTT	1	S3324		1	DDF33	DDF33	DRB30 X 21DP SG
			1	BPPOKCC30					
SINGLE OVEN CABINETS WITH 4 BUTT DOORS, 1 DRAWER AND 1 POT & PAN ORGANIZER - 93" HIGH									
OVS2793 BUTT 1DWR CCBPPO	2	DR1327 BUTT	1	S2724		2	DDF27	DDF27	DRB24 X 21DP SG
	2	DR1324 BUTT	1	BPPOKCC24					
OVS3093 BUTT 1DWR CCBPPO	2	DR1527 BUTT	1	S3024		2	DDF30	DDF30	DRB27 X 21DP SG
	2	DR1524 BUTT	1	BPPOKCC27					
OVS3393 BUTT 1DWR CCBPPO	2	DR1627 BUTT	1	S3324		2	DDF33	DDF33	DRB30 X 21DP SG
	2	DR1624 BUTT	1	BPPOKCC30					
SINGLE OVEN CABINETS WITH 4 BUTT DOORS, 1 DRAWER AND 1 POT & PAN ORGANIZER - 96" HIGH									
OVS2796 BUTT 1DWR CCBPPO	2	DR1330 BUTT	1	S2724		2	DDF27	DDF27	DRB24 X 21DP SG
	2	DR1324 BUTT	1	BPPOKCC24					
OVS3096 BUTT 1DWR CCBPPO	2	DR1530 BUTT	1	S3024		2	DDF30	DDF30	DRB27 X 21DP SG
	2	DR1524 BUTT	1	BPPOKCC27					
OVS3396 BUTT 1DWR CCBPPO	2	DR1630 BUTT	1	S3324		2	DDF33	DDF33	DRB30 X 21DP SG
	2	DR1624 BUTT	1	BPPOKCC30					

SKU	Qty	DOOR		SHELF / ACCESSORY		DRAWER FRONT		DRAWER BODY	
		Part Name	Qty	*For All Plywood Construction Adjustable Shelf, refer to Parts Directory legend		Full Overlay Part Name	Partial Overlay Part Name	Part Name	
				*Part Name	Qty				
SINGLE OVEN CABINETS WITH 4 BUTT DOORS AND 2 DRAWERS - 84" HIGH									
OVS2784 BUTT 2DWR	2	DR1318 BUTT	-	N/A		2	DDF27	DDF27	DRB24 X 21DP SG
	2	DR1324 BUTT							
OVS3084 BUTT 2DWR	2	DR1518 BUTT	-	N/A		2	DDF30	DDF30	DRB27 X 21DP SG
	2	DR1524 BUTT							
OVS3384 BUTT 2DWR	2	DR1618 BUTT	-	N/A		2	DDF33	DDF33	DRB30 X 21DP SG
	2	DR1624 BUTT							
SINGLE OVEN CABINETS WITH 4 BUTT DOORS AND 2 DRAWERS - 90" HIGH									
OVS2790 AS BUTT 2DWR	4	DR1324 BUTT	1	S2724		2	DDF27	DDF27	DRB24 X 21DP SG
OVS3090 AS BUTT 2DWR	4	DR1524 BUTT	1	S3024		2	DDF30	DDF30	DRB27 X 21DP SG
OVS3390 AS BUTT 2DWR	4	DR1624 BUTT	1	S3324		2	DDF33	DDF33	DRB30 X 21DP SG
SINGLE OVEN CABINETS WITH 4 BUTT DOORS AND 2 DRAWERS - 93" HIGH									
OVS2793 AS BUTT 2DWR	2	DR1327 BUTT	2	S2724		2	DDF27	DDF27	DRB24 X 21DP SG
	2	DR1324 BUTT							
OVS3093 AS BUTT 2DWR	2	DR1527 BUTT	2	S3024		2	DDF30	DDF30	DRB27 X 21DP SG
	2	DR1524 BUTT							
OVS3393 AS BUTT 2DWR	2	DR1627 BUTT	2	S3324		2	DDF33	DDF33	DRB30 X 21DP SG
	2	DR1624 BUTT							
SINGLE OVEN CABINETS WITH 4 BUTT DOORS AND 2 DRAWERS - 96" HIGH									
OVS2796 AS BUTT 2DWR	2	DR1330 BUTT	2	S2724		2	DDF27	DDF27	DRB24 X 21DP SG
	2	DR1324 BUTT							
OVS3096 AS BUTT 2DWR	2	DR1530 BUTT	2	S3024		2	DDF30	DDF30	DRB27 X 21DP SG
	2	DR1524 BUTT							
OVS3396 AS BUTT 2DWR	2	DR1630 BUTT	2	S3324		2	DDF33	DDF33	DRB30 X 21DP SG
	2	DR1624 BUTT							
SINGLE OVEN CABINETS WITH 4 BUTT DOORS, 2 DRAWERS AND 1 POT & PAN ORGANIZER - 84" HIGH									
OVS2784 BUTT 2DWR CCBPPO	2	DR1318 BUTT		N/A		1	DDF27	DDF27	DRB24 X 21DP SG
	2	DR1324 BUTT	2	BPPOKCC24					
OVS3084 BUTT 2DWR CCBPPO	2	DR1518 BUTT		N/A		1	DDF30	DDF30	DRB27 X 21DP SG
	2	DR1524 BUTT	2	BPPOKCC27					
OVS3384 BUTT 2DWR CCBPPO	2	DR1618 BUTT		N/A		1	DDF33	DDF33	DRB30 X 21DP SG
	2	DR1624 BUTT	2	BPPOKCC30					
SINGLE OVEN CABINETS WITH 4 BUTT DOORS, 2 DRAWERS AND 1 POT & PAN ORGANIZER - 90" HIGH									
OVS2790 BUTT 2DWR CCBPPO	4	DR1324 BUTT	1	S2724		1	DDF27	DDF27	DRB24 X 21DP SG
			1	BPPOKCC24					
OVS3090 BUTT 2DWR CCBPPO	4	DR1524 BUTT	1	S3024		1	DDF30	DDF30	DRB27 X 21DP SG
			1	BPPOKCC27					
OVS3390 BUTT 2DWR CCBPPO	4	DR1624 BUTT	1	S3324		1	DDF33	DDF33	DRB30 X 21DP SG
			1	BPPOKCC30					
SINGLE OVEN CABINETS WITH 4 BUTT DOORS, 2 DRAWERS AND 1 POT & PAN ORGANIZER - 93" HIGH									
OVS2793 BUTT 2DWR CCBPPO	2	DR1327 BUTT	2	S2724		2	DDF27	DDF27	DRB24 X 21DP SG
	2	DR1324 BUTT	1	BPPOKCC24					
OVS3093 BUTT 2DWR CCBPPO	2	DR1527 BUTT	2	S3024		2	DDF30	DDF30	DRB27 X 21DP SG
	2	DR1524 BUTT	1	BPPOKCC27					
OVS3393 BUTT 2DWR CCBPPO	2	DR1627 BUTT	2	S3324		2	DDF33	DDF33	DRB30 X 21DP SG
	2	DR1624 BUTT	1	BPPOKCC30					
SINGLE OVEN CABINETS WITH 4 BUTT DOORS, 2 DRAWERS AND 1 POT & PAN ORGANIZER - 96" HIGH									
OVS2796 BUTT 2DWR CCBPPO	2	DR1330 BUTT	2	S2724		2	DDF27	DDF27	DRB24 X 21DP SG
	2	DR1324 BUTT	1	BPPOKCC24					
OVS3096 BUTT 2DWR CCBPPO	2	DR1530 BUTT	2	S3024		2	DDF30	DDF30	DRB27 X 21DP SG
	2	DR1524 BUTT	1	BPPOKCC27					
OVS3396 BUTT 2DWR CCBPPO	2	DR1630 BUTT	2	S3324		2	DDF33	DDF33	DRB30 X 21DP SG
	2	DR1624 BUTT	1	BPPOKCC30					

SKU	Qty	DOOR		SHELF / ACCESSORY		DRAWER FRONT		DRAWER BODY	
		Part Name	Qty	*For All Plywood Construction Adjustable Shelf, refer to Parts Directory legend		Qty	Full Overlay	Partial Overlay	Part Name
				*Part Name	Part Name		Part Name		
SINGLE OVEN CABINETS WITH 2 BUTT DOORS 4 DRAWERS - 84" HIGH									
OVS2784 BUTT 4DWR	2	DR1318 BUTT	-	N/A	2	DDF27	DDF27	DRB24 X 21DP SG	
					2	DDF27M	DDF27D	DRB24M X 21DP SG	
OVS3084 BUTT 4DWR	2	DR1518 BUTT	-	N/A	2	DDF30	DDF30	DRB27 X 21DP SG	
					2	DDF30M	DDF30D	DRB27M X 21DP SG	
OVS3384 BUTT 4DWR	2	DR1618 BUTT	-	N/A	2	DDF33	DDF33	DRB30 X 21DP SG	
					2	DDF33M	DDF33D	DRB30M X 21DP SG	
SINGLE OVEN CABINETS WITH 2 BUTT DOORS 4 DRAWERS - 90" HIGH									
OVS2790 AS BUTT 4DWR	2	DR1324 BUTT	1	S2724	2	DDF27	DDF27	DRB24 X 21DP SG	
					2	DDF27M	DDF27D	DRB24M X 21DP SG	
OVS3090 AS BUTT 4DWR	2	DR1524 BUTT	1	S3024	2	DDF30	DDF30	DRB27 X 21DP SG	
					2	DDF30M	DDF30D	DRB27M X 21DP SG	
OVS3390 AS BUTT 4DWR	2	DR1624 BUTT	1	S3324	2	DDF33	DDF33	DRB30 X 21DP SG	
					2	DDF33M	DDF33D	DRB30M X 21DP SG	
SINGLE OVEN CABINETS WITH 2 BUTT DOORS 4 DRAWERS - 93" HIGH									
OVS2793 AS BUTT 4DWR	2	DR1327 BUTT	2	S2724	2	DDF27	DDF27	DRB24 X 21DP SG	
					2	DDF27M	DDF27D	DRB24M X 21DP SG	
OVS3093 AS BUTT 4DWR	2	DR1527 BUTT	2	S3024	2	DDF30	DDF30	DRB27 X 21DP SG	
					2	DDF30M	DDF30D	DRB27M X 21DP SG	
OVS3393 AS BUTT 4DWR	2	DR1627 BUTT	2	S3324	2	DDF33	DDF33	DRB30 X 21DP SG	
					2	DDF33M	DDF33D	DRB30M X 21DP SG	
SINGLE OVEN CABINETS WITH 2 BUTT DOORS 4 DRAWERS - 96" HIGH									
OVS2796 AS BUTT 4DWR	2	DR1330 BUTT	2	S2724	2	DDF27	DDF27	DRB24 X 21DP SG	
					2	DDF27M	DDF27D	DRB24M X 21DP SG	
OVS3096 AS BUTT 4DWR	2	DR1530 BUTT	2	S3024	2	DDF30	DDF30	DRB27 X 21DP SG	
					2	DDF30M	DDF30D	DRB27M X 21DP SG	
OVS3396 AS BUTT 4DWR	2	DR1630 BUTT	2	S3324	2	DDF33	DDF33	DRB30 X 21DP SG	
					2	DDF33M	DDF33D	DRB30M X 21DP SG	

SKU	Qty	DOOR		Qty	ADJUSTABLE SHELF
		Part Name			*Part Name
SINGLE OVEN CABINETS WITH 4 BUTT DOORS - 84" HIGH					
OVS2784 BUTT	2 2	DR1318 BUTT DR1324 BUTT		-	N/A
OVS3084 BUTT	2 2	DR1518 BUTT DR1524 BUTT		-	N/A
OVS3384 BUTT	2 2	DR1618 BUTT DR1624 BUTT		-	N/A
SINGLE OVEN CABINETS WITH 4 BUTT DOORS - 90" HIGH					
OVS2790 AS BUTT	4	DR1324 BUTT		1	S2724
OVS3090 AS BUTT	4	DR1524 BUTT		1	S3024
OVS3390 AS BUTT	4	DR1624 BUTT		1	S3324
SINGLE OVEN CABINETS WITH 4 BUTT DOORS - 93" HIGH					
OVS2793 AS BUTT	2 2	DR1327 BUTT DR1324 BUTT		2	S2724
OVS3093 AS BUTT	2 2	DR1527 BUTT DR1524 BUTT		2	S3024
OVS3393 AS BUTT	2 2	DR1627 BUTT DR1624 BUTT		2	S3324
SINGLE OVEN CABINETS WITH 4 BUTT DOORS - 96" HIGH					
OVS2796 AS BUTT	2 2	DR1330 BUTT DR1324 BUTT		2	S2724
OVS3096 AS BUTT	2 2	DR1530 BUTT DR1524 BUTT		2	S3024
OVS3396 AS BUTT	2 2	DR1630 BUTT DR1624 BUTT		2	S3324
SINGLE OVEN CABINETS WITH POT & PAN ORGANIZER - 84" HIGH					
OVS2784 BUTT CCBPPO	2 2	DR1318 BUTT DR1324 BUTT		1	N/A BPPOKCC24
OVS3084 BUTT CCBPPO	2 2	DR1518 BUTT DR1524 BUTT		1	N/A BPPOKCC27
OVS3384 BUTT CCBPPO	2 2	DR1618 BUTT DR1624 BUTT		1	N/A BPPOKCC30
SINGLE OVEN CABINETS WITH POT & PAN ORGANIZER - 90" HIGH					
OVS2790 BUTT CCBPPO	4	DR1324 BUTT		1 1	S2724 BPPOKCC24
OVS3090 BUTT CCBPPO	4	DR1524 BUTT		1 1	S3024 BPPOKCC27
OVS3390 BUTT CCBPPO	4	DR1624 BUTT		1 1	S3324 BPPOKCC30
SINGLE OVEN CABINETS WITH POT & PAN ORGANIZER - 93" HIGH					
OVS2793 BUTT CCBPPO	2 2	DR1327 BUTT DR1324 BUTT		2 1	S2724 BPPOKCC24
OVS3093 BUTT CCBPPO	2 2	DR1527 BUTT DR1524 BUTT		2 1	S3024 BPPOKCC27
OVS3393 BUTT CCBPPO	2 2	DR1627 BUTT DR1624 BUTT		2 1	S3324 BPPOKCC30
SINGLE OVEN CABINETS WITH POT & PAN ORGANIZER - 96" HIGH					
OVS2796 BUTT CCBPPO	2 2	DR1330 BUTT DR1324 BUTT		2 1	S2724 BPPOKCC24
OVS3096 BUTT CCBPPO	2 2	DR1530 BUTT DR1524 BUTT		2 1	S3024 BPPOKCC27
OVS3396 BUTT CCBPPO	2 2	DR1630 BUTT DR1624 BUTT		2 1	S3324 BPPOKCC30

SKU	Qty	DOOR		SHELF / ACCESSORY		DRAWER FRONT		DRAWER BODY
		Part Name	Qty	*For All Plywood Construction Adjustable Shelf, refer to Parts Directory legend		Full Overlay	Partial Overlay	Part Name
				*Part Name	Qty			
DOUBLE OVEN CABINETS WITH 2 BUTT DOORS, 1 DRAWER - 84" HIGH								
OVD2784 BUTT	2	DR1318 BUTT	-	N/A	1	DDFOV27	DDF27	DRB24 X 21DP SG
OVD3084 BUTT	2	DR1518 BUTT	-	N/A	1	DDFOV30	DDF30	DRB27 X 21DP SG
OVD3384 BUTT	2	DR1618 BUTT	-	N/A	1	DDFOV33	DDF33	DRB30 X 21DP SG
DOUBLE OVEN CABINETS WITH 2 BUTT DOORS, 1 DRAWER - 90" HIGH								
OVD2790 AS BUTT	2	DR1324 BUTT	1	S2724	1	DDFOV27	DDF27	DRB24 X 21DP SG
OVD3090 AS BUTT	2	DR1524 BUTT	1	S3024	1	DDFOV30	DDF30	DRB27 X 21DP SG
OVD3390 AS BUTT	2	DR1624 BUTT	1	S3324	1	DDFOV33	DDF33	DRB30 X 21DP SG
DOUBLE OVEN CABINETS WITH 2 BUTT DOORS, 1 DRAWER - 93" HIGH								
OVD2793 AS BUTT	2	DR1327 BUTT	2	S2724	1	DDFOV27	DDF27	DRB24 X 21DP SG
OVD3093 AS BUTT	2	DR1527 BUTT	2	S3024	1	DDFOV30	DDF30	DRB27 X 21DP SG
OVD3393 AS BUTT	2	DR1627 BUTT	2	S3324	1	DDFOV33	DDF33	DRB30 X 21DP SG
DOUBLE OVEN CABINETS WITH 2 BUTT DOORS, 1 DRAWER - 96" HIGH								
OVD2796 AS BUTT	2	DR1330 BUTT	2	S2724	1	DDFOV27	DDF27	DRB24 X 21DP SG
OVD3096 AS BUTT	2	DR1530 BUTT	2	S3024	1	DDFOV30	DDF30	DRB27 X 21DP SG
OVD3396 AS BUTT	2	DR1630 BUTT	2	S3324	1	DDFOV33	DDF33	DRB30 X 21DP SG
DOUBLE OVEN CABINETS WITH 2 BUTT DOORS AND 1 LARGE DRAWER - 84" HIGH								
OVD2784 BUTT 1DDWR	2	DR1318 BUTT	-	N/A	1	DDF27M	DDF27D	DRB24M X 21DP SG
OVD3084 BUTT 1DDWR	2	DR1518 BUTT	-	N/A	1	DDF30M	DDF30D	DRB27M X 21DP SG
OVD3384 BUTT 1DDWR	2	DR1618 BUTT	-	N/A	1	DDF33M	DDF33D	DRB30M X 21DP SG
DOUBLE OVEN CABINETS WITH 2 BUTT DOORS AND 1 LARGE DRAWER - 90" HIGH								
OVD2790 AS BUTT 1DDWR	2	DR1324 BUTT	1	S2724	1	DDF27M	DDF27D	DRB24M X 21DP SG
OVD3090 AS BUTT 1DDWR	2	DR1524 BUTT	1	S3024	1	DDF30M	DDF30D	DRB27M X 21DP SG
OVD3390 AS BUTT 1DDWR	2	DR1624 BUTT	1	S3324	1	DDF33M	DDF33D	DRB30M X 21DP SG
DOUBLE OVEN CABINETS WITH 2 BUTT DOORS AND 1 LARGE DRAWER - 93" HIGH								
OVD2793 AS BUTT 1DDWR	2	DR1327 BUTT	2	S2724	1	DDF27M	DDF27D	DRB24M X 21DP SG
OVD3093 AS BUTT 1DDWR	2	DR1527 BUTT	2	S3024	1	DDF30M	DDF30D	DRB27M X 21DP SG
OVD3393 AS BUTT 1DDWR	2	DR1627 BUTT	2	S3324	1	DDF33M	DDF33D	DRB30M X 21DP SG
DOUBLE OVEN CABINETS WITH 2 BUTT DOORS AND 1 LARGE DRAWER - 96" HIGH								
OVD2796 AS BUTT 1DDWR	2	DR1330 BUTT	2	S2724	1	DDF27M	DDF27D	DRB24M X 21DP SG
OVD3096 AS BUTT 1DDWR	2	DR1530 BUTT	2	S3024	1	DDF30M	DDF30D	DRB27M X 21DP SG
OVD3396 AS BUTT 1DDWR	2	DR1630 BUTT	2	S3324	1	DDF33M	DDF33D	DRB30M X 21DP SG
DOUBLE OVEN CABINETS WITH 2 BUTT DOORS AND 2 DRAWERS - 84" HIGH								
OVD2784 BUTT 2DWR	2	DR1318 BUTT	-	N/A	2	DDF27	DDF27	DRB24 X 21DP SG
OVD3084 BUTT 2DWR	2	DR1518 BUTT	-	N/A	2	DDF30	DDF30	DRB27 X 21DP SG
OVD3384 BUTT 2DWR	2	DR1618 BUTT	-	N/A	2	DDF33	DDF33	DRB30 X 21DP SG
DOUBLE OVEN CABINETS WITH 2 BUTT DOORS AND 2 DRAWERS - 90" HIGH								
OVD2790 AS BUTT 2DWR	2	DR1324 BUTT	1	S2724	2	DDF27	DDF27	DRB24 X 21DP SG
OVD3090 AS BUTT 2DWR	2	DR1524 BUTT	1	S3024	2	DDF30	DDF30	DRB27 X 21DP SG
OVD3390 AS BUTT 2DWR	2	DR1624 BUTT	1	S3324	2	DDF33	DDF33	DRB30 X 21DP SG
DOUBLE OVEN CABINETS WITH 2 BUTT DOORS AND 2 DRAWERS - 93" HIGH								
OVD2793 AS BUTT 2DWR	2	DR1327 BUTT	2	S2724	2	DDF27	DDF27	DRB24 X 21DP SG
OVD3093 AS BUTT 2DWR	2	DR1527 BUTT	2	S3024	2	DDF30	DDF30	DRB27 X 21DP SG
OVD3393 AS BUTT 2DWR	2	DR1627 BUTT	2	S3324	2	DDF33	DDF33	DRB30 X 21DP SG
DOUBLE OVEN CABINETS WITH 2 BUTT DOORS AND 2 DRAWERS - 96" HIGH								
OVD2796 AS BUTT 2DWR	2	DR1330 BUTT	2	S2724	2	DDF27	DDF27	DRB24 X 21DP SG
OVD3096 AS BUTT 2DWR	2	DR1530 BUTT	2	S3024	2	DDF30	DDF30	DRB27 X 21DP SG
OVD3396 AS BUTT 2DWR	2	DR1630 BUTT	2	S3324	2	DDF33	DDF33	DRB30 X 21DP SG
OVEN MICROWAVE CABINET - 96" HIGH								
OMC3396 AS OS BUTT	2	DR1624 BUTT	1	S3324	1	DDFOV33	DDF33	DRB30 X 21DP SG

SKU	Qty	DOOR		DRAWER FRONT/PANEL		Qty	DRAWER BODY
		Part Name	Qty	Full Overlay	Partial Overlay		Part Name
				Part Name	Part Name		
VANITY BASE - 31 1/8" HIGH							
VB12	1	DR1221V	1	DDF12	DDF12	1	DRB12 X 18DP SG
VB15	1	DR1521V	1	DDF15	DDF15	1	DRB15 X 18DP SG
VB18	1	DR1821V	1	DDF18	DDF18	1	DRB18 X 18DP SG
VB21	1	DR2121V	1	DDF21	DDF21	1	DRB21 X 18DP SG
VB24 BUTT	2	DR1221V BUTT	1	DDF24	DDF24	1	DRB24 X 18DP SG
VB27 BUTT	2	DR1321V BUTT	1	DDF27	DDF27	1	DRB27 X 18DP SG
VB30 BUTT	2	DR1521V BUTT	1	DDF30	DDF30	1	DRB30 X 18DP SG
VB33 BUTT	2	DR1621V BUTT	1	DDF33	DDF33	1	DRB33 X 18DP SG
VB36 BUTT	2	DR1821V BUTT	1	DDF36	DDF36	1	DRB36 X 18DP SG
VANITY SINK BASE WITH TOP DRAWERS - 31 1/8" HIGH							
VAN36 BUTT	2	DR1821V BUTT	3	DDF12	DDF12	2	DRB10 X 18DP SG
VAN39	2	DR1921V	2 1	DDF12 DDF15	DDF12 DDF15	2	DRB12 X 18DP SG
VAN42	2	DR2121V	2 1	DDF12 DDF18	DDF12 DDF18	2	DRB12 X 18DP SG
VAN48	2 1	DR1521V DR1821V	2 1	DDF15 DDF18	DDF15 DDF18	2	DRB15 X 18DP SG
VAN54 BK BUTT	2 2	DR1221V DR1521V BUTT	2 1	DDF12 DDF30	DDF12 DDF30	2	DRB12 X 18DP SG
VAN60 BK BUTT	2 2	DR1521V DR1521V BUTT	2 1	DDF15 DDF30	DDF15 DDF30	2	DRB15 X 18DP SG
VANITY COMBO SINK BASE - 18" DEEP X 31 1/8" HIGH							
VSDB2418 BK	1	DR1221V	1	DDF12	DDF12	1	DRB12 X 15DP SG
			1	DDF12VD	DDF12D	1	DRB12M X 15DP SG
			1	DDF24	DDF24		
VSDB2718 BK	1	DR1521V	1	DDF12	DDF12	1	DRB12 X 15DP SG
			1	DDF12VD	DDF12D	1	DRB12M X 15DP SG
			1	DDF27	DDF27		
VSDB3018 BK	1	DR1821V	1	DDF12	DDF12	1	DRB12 X 15DP SG
			1	DDF12VD	DDF12D	1	DRB12M X 15DP SG
			1	DDF30	DDF30		
VSDB3318 BK	1	DR2121V	1	DDF12	DDF12	1	DRB12 X 15DP SG
			1	DDF12VD	DDF12D	1	DRB12M X 15DP SG
			1	DDF33	DDF33		
VSDB3618 BK	1	DR2121V	1	DDF15	DDF15	1	DRB15 X 15DP SG
			1	DDF15VD	DDF15D	1	DRB15M X 15DP SG
			1	DDF36	DDF36		

SKU	Qty	DOOR		DRAWER FRONT/PANEL		Qty	DRAWER BODY
		Part Name	Qty	Full Overlay	Partial Overlay		Part Name
				Part Name	Part Name		
VANITY COMBO SINK BASE - 31 1/8" HIGH							
VSDB24 BK	1	DR1221V	1	DDF12	DDF12	1	DRB12 X 18DP SG
			1	DDF12VD	DDF12D	1	DRB12M X 18DP SG
			1	DDF24	DDF24		
VSDB27 BK	1	DR1521V	1	DDF12	DDF12	1	DRB12 X 18DP SG
			1	DDF12VD	DDF12D	1	DRB12M X 18DP SG
			1	DDF27	DDF27		
VSDB30 BK	1	DR1821V	1	DDF12	DDF12	1	DRB12 X 18DP SG
			1	DDF12VD	DDF12D	1	DRB12M X 18DP SG
			1	DDF30	DDF30		
VSDB33 BK	1	DR2121V	1	DDF12	DDF12	1	DRB12 X 18DP SG
			1	DDF12VD	DDF12D	1	DRB12M X 18DP SG
			1	DDF33	DDF33		
VSDB36 BK	1	DR2121V	1	DDF15	DDF15	1	DRB15 X 18DP SG
			1	DDF15VD	DDF15D	1	DRB15M X 18DP SG
			1	DDF36	DDF36		
VSDB42 BK BUTT	2	DR1521V BUTT	1	DDF30	DDF30	2	DRB12 X 18DP SG
			2	DDF12	DDF12	1	DRB12M X 18DP SG
			1	DDF12VD	DDF12D		
VSDB48D BK BUTT	2	DR1221V BUTT	1	DDF24	DDF24	4	DRB12 X 18DP SG
			4	DDF12	DDF12	2	DRB12M X 18DP SG
			2	DDF12VD	DDF12D		
VSDB54D BK BUTT	2	DR1221V BUTT	1	DDF24	DDF24	4	DRB15 X 18DP SG
			4	DDF15	DDF15	2	DRB15M X 18DP SG
			2	DDF15VD	DDF15D		
VSDB60C BK BUTT	4	DR1221V BUTT	2	DDF24	DDF24	2	DRB12 X 18DP SG
			2	DDF12	DDF12	1	DRB12M X 18DP SG
			1	DDF12VD	DDF12D		
VSDB60D BK BUTT	2	DR1521V BUTT	1	DDF30	DDF30	4	DRB15 X 18DP SG
			4	DDF15	DDF15	2	DRB15M X 18DP SG
			2	DDF15VD	DDF15D		
VANITY BASE - 34 1/2" HIGH							
VB1234H	1	DR1224	1	DDF12	DDF12	1	DRB12 X 18DP SG
VB1534H	1	DR1524	1	DDF15	DDF15	1	DRB15 X 18DP SG
VB1834H	1	DR1824	1	DDF18	DDF18	1	DRB18 X 18DP SG
VB2134H	1	DR2124	1	DDF21	DDF21	1	DRB21 X 18DP SG
VB2434H BUTT	2	DR1224 BUTT	1	DDF24	DDF24	1	DRB24 X 18DP SG
VB2734H BUTT	2	DR1324 BUTT	1	DDF27	DDF27	1	DRB27 X 18DP SG
VB3034H BUTT	2	DR1524 BUTT	1	DDF30	DDF30	1	DRB30 X 18DP SG
VB3334H BUTT	2	DR1624 BUTT	1	DDF33	DDF33	1	DRB33 X 18DP SG
VB3634H BUTT	2	DR1824 BUTT	1	DDF36	DDF36	1	DRB36 X 18DP SG
VANITY BASE WITH BOTTOM MOUNT WASTEBASKET - 34 1/2" HIGH							
VWBB1834H	1	DR1824 ND	1	DDF18	DDF18	1	DRB18 X 18DP SG
						1	VWBB1834H _OL KIT
VANITY SINK BASE WITH TOP DRAWERS - 34 1/2" HIGH							
VAN3634H BUTT	2	DR1824 BUTT	3	DDF12	DDF12	2	DRB10 X 18DP SG
VAN4234H	2	DR2124	2	DDF12	DDF12	2	DRB12 X 18DP SG
			1	DDF18	DDF18		
VAN3934H	2	DR1924	2	DDF12	DDF12	2	DRB12 X 18DP SG
			1	DDF15	DDF15		
VAN4834H	2	DR1524	2	DDF15	DDF15	2	DRB15 X 18DP SG
	1	DR1824	1	DDF18	DDF18		
VAN5434H BK BUTT	2	DR1224	2	DDF12	DDF12	2	DRB12 X 18DP SG
	2	DR1524 BUTT	1	DDF30	DDF30		
VAN6034H BK BUTT	2	DR1524	2	DDF15	DDF15	2	DRB15 X 18DP SG
	2	DR1524 BUTT	1	DDF30	DDF30		

SKU	Qty	DOOR		DRAWER FRONT/PANEL		Qty	DRAWER BODY
		Part Name	Qty	Full Overlay	Partial Overlay		Part Name
				Part Name	Part Name		
VANITY COMBO SINK BASE - 18" DEEP X 34 1/2" HIGH							
VSDB241834H BK	1	DR1224	2	DDF12M	DDF12D	2	DRB12M X 15DP SG
			1	DDF24	DDF24		
VSDB271834H BK	1	DR1524	2	DDF12M	DDF12D	2	DRB12M X 15DP SG
			1	DDF27	DDF27		
VSDB301834H BK	1	DR1824	2	DDF12M	DDF12D	2	DRB12M X 15DP SG
			1	DDF30	DDF30		
VSDB331834H BK	1	DR2124	2	DDF12M	DDF12D	2	DRB12M X 15DP SG
			1	DDF33	DDF33		
VSDB361834H BK	1	DR2124	2	DDF15M	DDF15D	2	DRB15M X 15DP SG
			1	DDF36	DDF36		
VANITY COMBO SINK BASE - 34 1/2" HIGH							
VSDB2434H BK	1	DR1224	2	DDF12M	DDF12D	2	DRB12M X 18DP SG
			1	DDF24	DDF24		
VSDB2734H BK	1	DR1524	2	DDF12M	DDF12D	2	DRB12M X 18DP SG
			1	DDF27	DDF27		
VSDB3034H BK	1	DR1824	2	DDF12M	DDF12D	2	DRB12M X 18DP SG
			1	DDF30	DDF30		
VSDB3334H BK	1	DR2124	2	DDF12M	DDF12D	2	DRB12M X 18DP SG
			1	DDF33	DDF33		
VSDB3634H BK	1	DR2124	2	DDF15M	DDF15D	2	DRB15M X 18DP SG
			1	DDF36	DDF36		
VSDB3934H BK	1	DR2124	1	DDF21	DDF21	2	DRB18M X 18DP SG
			1	DDF18	DDF18		
			2	DDF18M	DDF18D		
VSDB4234H BK BUTT	2	DR1524 BUTT	1	DDF30	DDF30	1	DRB12 X 18DP SG
			1	DDF12	DDF12	2	DRB12M X 18DP SG
			2	DDF12M	DDF12D		
VSDB4834HD BK BUTT	2	DR1224 BUTT	1	DDF24	DDF24	2	DRB12 X 18DP SG
			2	DDF12	DDF12	4	DRB12M X 18DP SG
			4	DDF12M	DDF12D		
VSDB5434HD BK BUTT	2	DR1224 BUTT	1	DDF24	DDF24	2	DRB15 X 18DP SG
			2	DDF15	DDF15	4	DRB15M X 18DP SG
			4	DDF15M	DDF15D		
VSDB6034HC BK BUTT	4	DR1224 BUTT	2	DDF24	DDF24	1	DRB12 X 18DP SG
			1	DDF12	DDF12	2	DRB12M X 18DP SG
			2	DDF12M	DDF12D		
VSDB6034HD BK BUTT	2	DR1524 BUTT	1	DDF30	DDF30	2	DRB15 X 18DP SG
			2	DDF15	DDF15	4	DRB15M X 18DP SG
			4	DDF15M	DDF15D		

SKU	Qty	DOOR	SPECIALTY DOOR	GLASS INSERT	Qty	ADJUSTABLE SHELF		
		*For All Plywood Construction and/or Matching Interior Adjustable Shelf, refer to Parts Directory legend						
		Part Name	Part Name	Part Name		*Part Name		
VANITY LINEN WITH ADJUSTABLE SHELVES								
VLC122184 AS	1 1	DR1230 DR1250	DR1230 SD	DGI-1230	5	S1221		
VLC152184 AS	1 1	DR1530 DR1550	DR1530 SD	DGI-1530	5	S1521		
VLC182184 AS	1 1	DR1830 DR1850	DR1830 SD	DGI-1830	5	S1821		
VLC242184 AS BUTT	2 2	DR1230 BUTT DR1250 BUTT	DR1230 BUTT SD	DGI-1230 BUTT	5	S2421		
VANITY LINEN WITH SLIDING SHELVES								
VLC122184 4SSK	1 1	DR1230 DR1250	DR1230 SD	DGI-1230	1 4	S1221 SSK1221		
VLC152184 4SSK	1 1	DR1530 DR1550	DR1530 SD	DGI-1530	1 4	S1521 SSK1521		
VLC182184 4SSK	1 1	DR1830 DR1850	DR1830 SD	DGI-1830	1 4	S1821 SSK1821		
VLC242184 4SSK BUTT	2 2	DR1230 BUTT DR1250 BUTT	DR1230 BUTT SD	DGI-1230 BUTT	1 4	S2421 SSK2421		
MEDICINE CABINET								
MC1530	1	DR1530	N/A	N/A	2	MC SHELF		
MCM1530	1	DRMCM1530	N/A	N/A	2	MC SHELF		
TRI-VIEW MIRROR								
TV3030	3	MIRROR TV3030	N/A	N/A	3 6	TV30 SHELF 9 TV30 SHELF 18		
TV3630	3	MIRROR TV3630	N/A	N/A	3 6	TV36 SHELF 11 TV36 SHELF 22		
VALET CABINET								
VC2436 BUTT	2	DR1224 BUTT	N/A	N/A	-	N/A		

SKU	Qty	DOORS	
		Full Overlay	Partial Overlay
		Part Name	Part Name
VANITY FULL HEIGHT BASE - 34 1/2" HIGH			
VB1234H FH	1	DR12FH	DR1230
VB1534H FH	1	DR15FH	DR1530
VB1834H FH	1	DR18FH	DR1830
VB2434H BUTT FH	2	DR12BUTT FH	DR1230 BUTT
VB3034H BUTT FH	2	DR15BUTT FH	DR1530 BUTT
VB3634H BUTT FH	2	DR18BUTT FH	DR1830 BUTT

SKU	Qty	DOOR	Qty	DRAWER FRONT/PANEL
		Part Name		Part Name
VANITY SINK BASE - 31 1/8" HIGH				
VSB15	1	DR1521V	1	DDF15
VSB18	1	DR1821V	1	DDF18
VSB21	1	DR2121V	1	DDF21
VSB24 BUTT	2	DR1221V BUTT	1	DDF24
VSB27 BUTT	2	DR1321V BUTT	1	DDF27
VSB30 BUTT	2	DR1521V BUTT	1	DDF30
VSB33 BUTT	2	DR1621V BUTT	1	DDF33
VSB36 BUTT	2	DR1821V BUTT	1	DDF36
VSB39	2	DR1921V	2	DDF19
VSB42	2	DR2121V	2	DDF21
VSB48	2 1	DR1521V DR1821V	2 1	DDF15 DDF18
VSB54 BUTT	4	DR1321V BUTT	2	DDF27
VSB60 BUTT	4	DR1521V BUTT	2	DDF30
VANITY SINK BASE - 18" DEEP X 31 1/8" HIGH				
VSB2418 BUTT	2	DR1221V BUTT	1	DDF24
VSB3018 BUTT	2	DR1521V BUTT	1	DDF30
VSB3618 BUTT	2	DR1821V BUTT	1	DDF36
VANITY SINK BASE - 34 1/2" HIGH				
VSB1534H	1	DR1524	1	DDF15
VSB1834H	1	DR1824	1	DDF18
VSB2134H	1	DR2124	1	DDF21
VSB2434H BUTT	2	DR1224 BUTT	1	DDF24
VSB2734H BUTT	2	DR1324 BUTT	1	DDF27
VSB3034H BUTT	2	DR1524 BUTT	1	DDF30
VSB3334H BUTT	2	DR1624 BUTT	1	DDF33
VSB3634H BUTT	2	DR1824 BUTT	1	DDF36
VSB3934H	2	DR1924	2	DDF19
VSB4234H	2	DR2124	2	DDF21
VSB4834H	2 1	DR1524 DR1824	2 1	DDF15 DDF18
VSB5434H BUTT	4	DR1324 BUTT	2	DDF27
VSB6034H BUTT	4	DR1524 BUTT	2	DDF30
VANITY SINK BASE - 18" DEEP X 34 1/2" HIGH				
VSB243418H BUTT	2	DR1224 BUTT	1	DDF24
VSB303418H BUTT	2	DR1524 BUTT	1	DDF30
VSB363418H BUTT	2	DR1824 BUTT	1	DDF36
VANITY SINK FRONT				
VSF21	1	DR2121V	1	DDF21
VSF24 BUTT	2	DR1221V BUTT	1	DDF24
VSF30 BUTT	2	DR1521V BUTT	1	DDF30
VSF36 BUTT	2	DR1821V BUTT	1	DDF36
VSF39	2	DR1921V	2	DDF19
VSF42	2	DR2121V	2	DDF21
VSF48	2 1	DR1521V DR1821V	2 1	DDF15 DDF18
VANITY PLUMBING SKIRT				
VPS30 UD	-	N/A	1	DDFKDC33/27
VPS36 UD	-	N/A	1	DDFKDC36/33

SKU	Qty	DRAWER FRONT		DRAWER BODY
		Full Overlay	Partial Overlay	Part Name
		Part Name	Part Name	
VANITY DRAWER BASE - 31 1/8" HIGH				
VDB12	2 1	DDF12 DDF12VD	DDF12 DDF12D	DRB12 X 18DP SG DRB12M X 18DP SG
VDB15	2 1	DDF15 DDF15VD	DDF15 DDF15D	DRB15 X 18DP SG DRB15M X 18DP SG
VDB18	2 1	DDF18 DDF18VD	DDF18 DDF18D	DRB18 X 18DP SG DRB18M X 18DP SG
VDB21	2 1	DDF21 DDF21VD	DDF21 DDF21D	DRB21 X 18DP SG DRB21M X 18DP SG
VDB24	2 1	DDF24 DDF24VD	DDF24 DDF24D	DRB24 X 18DP SG DRB24M X 18DP SG
VANITY DRAWER BASE - 34 1/2" HIGH				
VDB1234H	1 2	DDF12 DDF12M	DDF12 DDF12D	DRB12 X 18DP SG DRB12M X 18DP SG
VDB1534H	1 2	DDF15 DDF15M	DDF15 DDF15D	DRB15 X 18DP SG DRB15M X 18DP SG
VDB1834H	1 2	DDF18 DDF18M	DDF18 DDF18D	DRB18 X 18DP SG DRB18M X 18DP SG
VDB2134H	1 2	DDF21 DDF21M	DDF21 DDF21D	DRB21 X 18DP SG DRB21M X 18DP SG
VDB2434H	1 2	DDF24 DDF24M	DDF24 DDF24D	DRB24 X 18DP SG DRB24M X 18DP SG

SKU	Qty	DOOR		SHELF		DRAWER FRONT		DRAWER BODY	
		Part Name	Qty	*Part Name	Qty	Part Name	Part Name		
DESK DOOR - 21" DEEP									
DDO1221	1	DR1218	1	12" SHELF 21DP 3/4	1	DDF12	DRB12 X 18DP SG		
DDO1521	1	DR1518	1	15" SHELF 21DP 3/4	1	DDF15	DRB15 X 18DP SG		
DDO1821	1	DR1818	1	18" SHELF 21DP 3/4	1	DDF18	DRB18 X 18DP SG		
DDO2121	1	DR2118	1	21" SHELF 21DP 3/4	1	DDF21	DRB21 X 18DP SG		
DDO2421 BUTT	2	DR1218 BUTT	1	24" SHELF 21DP 3/4	1	DDF24	DRB24 X 18DP SG		
DESK DOOR - 24" DEEP									
DDO1224	1	DR1218	1	12" SHELF 24DP 3/4	1	DDF12	DRB12 X 21DP SG		
DDO1524	1	DR1518	1	15" SHELF 24DP 3/4	1	DDF15	DRB15 X 21DP SG		
DDO1824	1	DR1818	1	18" SHELF 24DP 3/4	1	DDF18	DRB18 X 21DP SG		
DDO2124	1	DR2118	1	21" SHELF 24DP 3/4	1	DDF21	DRB21 X 21DP SG		
DDO2424 BUTT	2	DR1218 BUTT	1	24" SHELF 24DP 3/4	1	DDF24	DRB24 X 21DP SG		

SKU	Qty	DRAWER FRONT		DRAWER BODY
		Full Overlay	Partial Overlay	
		Part Name	Part Name	Part Name
KNEE HOLE DRAWER CABINET				
KDC27/21	1	DDFKDC27/21	DDFKDC27/21	DRBKDC27X 15DP DT SG
KDC33/27	1	DDFKDC33/27	DDFKDC33/27	DRBKDC33X 15DP DT SG
KDC36/33	1	DDFKDC36/33	DDFKDC36/33	DRBKDC36X 15DP DT SG
DESK DRAWER BASE - 21" DEEP				
DDR1221	2	DDF12	DDF12	DRB12 X 18DP SG
	1	DDF12M	DDF12D	DRB12M X 18DP SG
DDR1521	2	DDF15	DDF15	DRB15 X 18DP SG
	1	DDF15M	DDF15D	DRB15M X 18DP SG
DDR1821	2	DDF18	DDF18	DRB18 X 18DP SG
	1	DDF18M	DDF18D	DRB18M X 18DP SG
DDR2121	2	DDF21	DDF21	DRB21 X 18DP SG
	1	DDF21M	DDF21D	DRB21M X 18DP SG
DDR2421	2	DDF24	DDF24	DRB24 X 18DP SG
	1	DDF24M	DDF24D	DRB24M X 18DP SG
DESK DRAWER BASE - 24" DEEP				
DDR1224	2	DDF12	DDF12	DRB12 X 21DP SG
	1	DDF12M	DDF12D	DRB12M X 21DP SG
DDR1524	2	DDF15	DDF15	DRB15 X 21DP SG
	1	DDF15M	DDF15D	DRB15M X 21DP SG
DDR1824	2	DDF18	DDF18	DRB18 X 21DP SG
	1	DDF18M	DDF18D	DRB18M X 21DP SG
DDR2124	2	DDF21	DDF21	DRB21 X 21DP SG
	1	DDF21M	DDF21D	DRB21M X 21DP SG
DDR2424	2	DDF24	DDF24	DRB24 X 21DP SG
	1	DDF24M	DDF24D	DRB24M X 21DP SG
DESK FILE PULL OUT CABINET				
DFDC1821	1	DDF18	DDF18	DRB18 X 18DP DT FD
	1	DR1818	DR1818	DFDC FILE UNIT 21
DFDC1824	1	DDF18	DDF18	DRB18 X 21DP DT FD
	1	DR1818	DR1818	DFDC FILE UNIT 24
FULL-HEIGHT DESK WITH BOTTOM MOUNT WASTEBASKET(S)				
DWBB1821	1	DR1824 ND	DR1824 ND	DWBB1821_OL KIT
DWBB1824	1	DR1824 ND	DR1824 ND	DWBB1824_OL KIT

DOORS

Specialty Doors, Solid Doors & ND Doors
are the same dimension

Part Name	Full Overlay	Partial Overlay
50" High		
DR1250	11 9/16" x 49 1/4"	9 7/8" x 47 3/4"
DR1250 BUTT	11 11/16" x 49 1/4"	10 15/16" x 47 3/4"
DR1350 BUTT	13 3/16" x 49 1/4"	12 7/16" x 47 3/4"
DR1550	14 9/16" x 49 1/4"	12 7/8" x 47 3/4"
DR1550 BUTT	14 11/16" x 49 1/4"	13 15/16" x 47 3/4"
DR1650 BUTT	16 3/16" x 49 1/4"	15 7/16" x 47 3/4"
DR1850	17 9/16" x 49 1/4"	15 7/8" x 47 3/4"
DR1850 BUTT	17 11/16" x 49 1/4"	16 15/16" x 47 3/4"
DR2150	20 9/16" x 49 1/4"	18 7/8" x 47 3/4"
42" High		
DR942	8 9/16" x 41 1/2"	6 7/8" x 40"
DR1242	11 9/16" x 41 1/2"	9 7/8" x 40"
DR1242 BUTT	11 11/16" x 41 1/2"	10 15/16" x 40"
DR1242 WER DRILL	10 3/4" x 41 1/2"	10" x 40"
DR1242 WER ND	10 3/4" x 41 1/2"	10" x 40"
DR1342 BUTT	13 3/16" x 41 1/2"	12 7/16" x 40"
DR1542	14 9/16" x 41 1/2"	12 7/8" x 40"
DR1542 BUTT	14 11/16" x 41 1/2"	13 15/16" x 40"
DR1642 BUTT	16 3/16" x 41 1/2"	15 7/16" x 40"
DR1842	17 9/16" x 41 1/2"	15 7/8" x 40"
DR1842 BUTT	17 11/16" x 41 1/2"	16 15/16" x 40"
DR1942	19 1/16" x 41 1/2"	17 3/8" x 40"
DR2142	20 9/16" x 41 1/2"	18 7/8" x 40"
39" High		
DR939	8 9/16" x 38 1/2"	6 7/8" x 37"
DR1239	11 9/16" x 38 1/2"	9 7/8" x 37"
DR1239 BUTT	11 11/16" x 38 1/2"	10 15/16" x 37"
DR1239 WER DRILL	10 3/4" x 38 1/2"	10" x 37"
DR1239 WER ND	10 3/4" x 38 1/2"	10" x 37"
DR1339 BUTT	13 3/16" x 38 1/2"	12 7/16" x 37"
DR1539	14 9/16" x 38 1/2"	12 7/8" x 37"
DR1539 BUTT	14 11/16" x 38 1/2"	13 15/16" x 37"
DR1639 BUTT	16 3/16" x 38 1/2"	15 7/16" x 37"
DR1839	17 9/16" x 38 1/2"	15 7/8" x 37"
DR1839 BUTT	17 11/16" x 38 1/2"	16 15/16" x 37"
DR2139	20 9/16" x 38 1/2"	18 7/8" x 37"
36" High		
DR936	8 9/16" x 35 1/2"	6 7/8" x 34"
DR1236	11 9/16" x 35 1/2"	9 7/8" x 34"
DR1236 BUTT	11 11/16" x 35 1/2"	10 15/16" x 34"
DR1236 WER DRILL	10 3/4" x 35 1/2"	10" x 34"
DR1236 WER ND	10 3/4" x 35 1/2"	10" x 34"
DR1336 BUTT	13 3/16" x 35 1/2"	12 7/16" x 34"
DR1536	14 9/16" x 35 1/2"	12 7/8" x 34"
DR1536 BUTT	14 11/16" x 35 1/2"	13 15/16" x 34"
DR1636 BUTT	16 3/16" x 35 1/2"	15 7/16" x 34"
DR1836	17 9/16" x 35 1/2"	15 7/8" x 34"
DR1836 BUTT	17 11/16" x 35 1/2"	16 15/16" x 34"
DR1936	19 1/16" x 35 1/2"	17 3/8" x 34"
DR2136	20 9/16" x 35 1/2"	18 7/8" x 34"

DOORS

Specialty Doors, Solid Doors & ND Doors
are the same dimension

Part Name	Full Overlay	Partial Overlay
30" High		
DR930	8 9/16" x 29 1/2"	6 7/8" x 28"
DR930 BER DRILL	7 3/4" x 29 7/8"	7" x 28"
DR930 BER ND	7 3/4" x 29 7/8"	7" x 28"
DR1230	11 9/16" x 29 1/2"	9 7/8" x 28"
DR1230 BUTT	11 11/16" x 29 1/2"	10 15/16" x 28"
DR1230 BER DRILL	10 3/4" x 29 1/2"	10" x 28"
DR1230 BER ND	10 3/4" x 29 1/2"	10" x 28"
DR1230 WER DRILL	10 3/4" x 29 7/8"	10" x 28"
DR1230 WER ND	10 3/4" x 29 7/8"	10" x 28"
DR1330 BUTT	13 3/16" x 29 1/2"	12 7/16" x 28"
DR1530	14 9/16" x 29 1/2"	12 7/8" x 28"
DR1530 BUTT	14 11/16" x 29 1/2"	13 15/16" x 28"
DR1630 BUTT	16 3/16" x 29 1/2"	15 7/16" x 28"
DR1830	17 9/16" x 29 1/2"	15 7/8" x 28"
DR1830 BUTT	17 11/16" x 29 1/2"	16 15/16" x 28"
DR1930	19 1/16" x 29 1/2"	17 3/8" x 28"
DR2130	20 9/16" x 29 1/2"	18 7/8" x 28"
DR2430	23 9/16" x 29 1/2"	21 7/8" x 28"
27" High		
DR1327 BUTT	13 3/16" x 26 1/2"	12 7/16" x 25"
DR1527 BUTT	14 11/16" x 26 1/2"	13 15/16" x 25"
DR1627 BUTT	16 3/16" x 26 1/2"	15 7/16" x 25"
24" High		
DR1224	11 9/16" x 23 7/8"	9 7/8" x 22 3/8"
DR1224 BUTT	11 11/16" x 23 7/8"	10 15/16" x 22 3/8"
DR1324 BUTT	13 3/16" x 23 7/8"	12 7/16" x 22 3/8"
DR1524	14 9/16" x 23 7/8"	12 7/8" x 22 3/8"
DR1524 BUTT	14 11/16" x 23 7/8"	13 15/16" x 22 3/8"
DR1624 BUTT	16 3/16" x 23 7/8"	15 7/16" x 22 3/8"
DR1824	17 9/16" x 23 7/8"	15 7/8" x 22 3/8"
DR1824 BUTT	17 11/16" x 23 7/8"	16 15/16" x 22 3/8"
DR18.524 BUTT	18 3/16" x 23 7/8"	17 3/8" x 22 3/8"
DR1924	19 1/16" x 23 7/8"	17 3/8" x 22 3/8"
DR2124	20 9/16" x 23 7/8"	18 7/8" x 22 3/8"
DR2424	23 9/16" x 23 7/8"	21 7/8" x 22 3/8"
21" High		
DR1221V	11 9/16" x 20"	9 7/8" x 18 1/2"
DR1221V BUTT	11 11/16" x 20"	10 15/16" x 18 1/2"
DR1321V BUTT	13 3/16" x 20"	12 7/16" x 18 1/2"
DR1521 BUTT	14 11/16" x 20"	13 15/16" x 18 1/2"
DR1521V	14 9/16" x 20"	12 7/8" x 18 1/2"
DR1521V BUTT	14 11/16" x 20"	13 15/16" x 18 1/2"
DR1621 BUTT	16 3/16" x 20"	15 7/16" x 18 1/2"
DR1621V BUTT	16 3/16" x 20"	15 7/16" x 18 1/2"
DR1821 BUTT	17 11/16" x 20"	16 5/16" x 18 1/2"
DR1821V	17 9/16" x 20"	15 7/8" x 18 1/2"
DR1821V BUTT	17 11/16" x 20"	16 15/16" x 18 1/2"
DR18.521 BUTT	18 3/16" x 20"	17 3/8" x 18 1/2"
DR1921	19 1/16" x 20"	17 3/8" x 18 1/2"
DR1921V	19 1/16" x 20"	17 3/8" x 18 1/2"
DR2121V	20 9/16" x 20"	18 7/8" x 18 1/2"

DOORS		
Specialty Doors, Solid Doors & ND Doors are the same dimension		
Part Name	Full Overlay	Partial Overlay
18" High		
DR1218	11 9/16" x 17 1/2"	9 7/8" x 16"
DR1218 BUTT	11 11/16" x 17 1/2"	10 15/16" x 16"
DR1318 BUTT	13 3/16" x 17 1/2"	12 7/16" x 16"
DR1518	14 9/16" x 17 1/2"	12 7/8" x 16"
DR1518 BUTT	14 11/16" x 17 1/2"	13 15/16" x 16"
DR1618 BUTT	16 3/16" x 17 1/2"	15 7/16" x 16"
DR1818	17 9/16" x 17 1/2"	15 7/8" x 16"
DR1818 BUTT	17 11/16" x 17 1/2"	16 15/16" x 16"
DR18.518 BUTT	18 3/16" x 17 1/2"	17 3/8" x 16"
DR1918	19 1/16" x 17 1/2"	17 3/8" x 16"
DR2118	20 9/16" x 17 1/2"	18 7/8" x 16"
DR3018 WTH	29 1/2" x 17 9/16"	28" x 15 7/8"
DR3618 WTH	35 1/2" x 17 9/16"	34" x 15 7/8"
15" High		
DR1215	11 9/16" x 14 1/2"	9 7/8" x 13"
DR1215 BUTT	11 11/16" x 14 1/2"	10 15/16" x 13"
DR1315 BUTT	13 3/16" x 14 1/2"	12 7/16" x 13"
DR1515	14 9/16" x 14 1/2"	12 7/8" x 13"
DR1515 BUTT	14 11/16" x 14 1/2"	13 15/16" x 13"
DR1615 BUTT	16 3/16" x 14 1/2"	15 7/16" x 13"
DR1815	17 9/16" x 14 1/2"	15 7/8" x 13"
DR1815 BUTT	17 11/16" x 14 1/2"	16 15/16" x 13"
DR18.515 BUTT	18 3/16" x 14 1/2"	17 3/8" x 13"
DR1915	19 1/16" x 14 1/2"	17 3/8" x 13"
DR2115	20 9/16" x 14 1/2"	18 7/8" x 13"
DR3015 WTH	29 1/2" x 14 9/16"	28" x 12 7/8"
DR3615 WTH	35 1/2" x 14 9/16"	34" x 12 7/8"
12" High		
DR1212	11 9/16" x 11 1/2"	9 7/8" x 10"
DR1212 BUTT	11 23/32" x 11 1/2"	10 15/16" x 10"
DR1312 BUTT	13 7/32" x 11 1/2"	12 7/16" x 10"
DR1512	14 9/16" x 11 1/2"	12 7/8" x 10"
DR1512 BUTT	14 23/32" x 11 1/2"	13 15/16" x 10"
DR1612 BUTT	16 7/32" x 11 1/2"	15 7/16" x 10"
DR1812	17 9/16" x 11 1/2"	15 7/8" x 10"
DR1812 BUTT	17 23/32" x 11 1/2"	16 15/16" x 10"
DR18.512 BUTT	18 7/32" x 11 1/2"	17 7/16" x 10"
DR1912	19 1/16" x 11 1/2"	17 3/8" x 10"
DR2112	20 9/16" x 11 1/2"	18 7/8" x 10"
DR4212 WTH	41 1/2" x 11 9/16"	40" x 9 7/8"
DR4212 WTH	41 1/2" x 11 9/16"	40" x 9 7/8"
Miscellaneous Doors		
DRMCM1530	14 9/16" x 29 1/2"	12 7/8" x 28"
MIRROR TV3030	8 13/16" x 26 1/2"	8 13/16" x 26 1/2"
MIRROR TV3630	10 13/16" x 26 1/2"	10 13/16" x 26 1/2"

DOORS		
Specialty Doors, Solid Doors & ND Doors are the same dimension		
Part Name	Full Overlay	Partial Overlay
Full-Height Doors		
DR9FH	8 9/16" x 29 7/8"	-
DR12FH	11 9/16" x 29 7/8"	-
DR12BUTT FH	11 11/16" x 29 7/8"	-
DR13BUTT FH	13 3/16" x 29 7/8"	-
DR15FH	14 9/16" x 29 7/8"	-
DR15BUTT FH	14 11/16" x 29 7/8"	-
DR16BUTT FH	16 3/16" x 29 7/8"	-
DR18FH	17 9/16" x 29 7/8"	-
DR18BUTT FH	17 11/16" x 29 7/8"	-
DR21FH	20 9/16" x 29 7/8"	-
DR24FH	23 9/16" x 29 7/8"	-
DRCBS36	14 9/16" x 29 7/8"	12 7/8" x 28"
Decorator Doors		
DMDB	23 9/16" x 29 7/8"	21 7/8" x 28"
DMDBEA12	11 9/16" x 29 7/8"	9 7/8" x 28"
DMDD21	20 9/16" x 23 7/8"	18 7/8" x 22 3/8"
DMDD24	23 9/16" x 23 7/8"	21 7/8" x 22 3/8"
DMDW18	11 9/16" x 17 1/2"	9 7/8" x 16"
DMDW24	11 9/16" x 23 7/8"	9 7/8" x 22 3/8"
DMDW30	11 9/16" x 29 1/2"	9 7/8" x 28"
DMDW36	11 9/16" x 35 1/2"	9 7/8" x 34"
DMDW39	11 9/16" x 38 1/2"	9 7/8" x 37"
DMDW42	11 9/16" x 41 1/2"	9 7/8" x 40"
DMDV	20 9/16" x 20" 20 9/16" x 5 13/16"	18 7/8" x 17 7/8" 18 7/8" x 5 1/8"
DMDT8412	11 9/16" x 29 1/2" 11 9/16" x 49 1/4"	9 7/8" x 28" 9 7/8" x 47 3/4"
DMDT8424	11 9/16" x 29 1/2" 11 9/16" x 49 1/4"	9 7/8" x 28" 9 7/8" x 47 3/4"
DMDT9012	11 9/16" x 35 1/2" 11 9/16" x 49 1/4"	9 7/8" x 34" 9 7/8" x 47 3/4"
DMDT9024	11 9/16" x 35 1/2" 11 9/16" x 49 1/4"	9 7/8" x 34" 9 7/8" x 47 3/4"
DMDT9312	11 9/16" x 38 1/2" 11 9/16" x 49 1/4"	9 7/8" x 37" 9 7/8" x 47 3/4"
DMDT9324	11 9/16" x 38 1/2" 11 9/16" x 49 1/4"	9 7/8" x 37" 9 7/8" x 47 3/4"
DMDT9612	11 9/16" x 41 1/2" 11 9/16" x 49 1/4"	9 7/8" x 40" 9 7/8" x 47 3/4"
DMDT9624	11 9/16" x 41 1/2" 11 9/16" x 49 1/4"	9 7/8" x 40" 9 7/8" x 47 3/4"

SHELVES	
Part Name	Dimensions
3/4" Shelves	
9" SHELF 3/4	7 1/4" x 10 1/4" x 3/4"
12" SHELF 3/4	10 1/4" x 10 1/4" x 3/4"
15" SHELF 3/4	13 1/4" x 10 1/4" x 3/4"
18" SHELF 3/4	16 1/4" x 10 1/4" x 3/4"
21" SHELF 3/4	19 1/4" x 10 1/4" x 3/4"
24" SHELF 3/4	22 1/4" x 10 1/4" x 3/4"
27" SHELF 3/4	25 1/4" x 10 1/4" x 3/4"
30" SHELF 3/4	28 1/4" x 10 1/4" x 3/4"
33" SHELF 3/4	31 1/4" x 10 1/4" x 3/4"
36" SHELF 3/4	34 1/4" x 10 1/4" x 3/4"
39" SHELF 3/4	37 1/4" x 10 1/4" x 3/4"
42" SHELF 3/4	40 1/4" x 10 1/4" x 3/4"
45" SHELF 3/4	43 1/4" x 10 1/4" x 3/4"
48" SHELF 3/4	46 1/4" x 10 1/4" x 3/4"
12" SHELF PB 3/4	10 3/16" x 22 1/8" x 3/4"
18" SHELF PB 3/4	16 3/16" x 22 1/8" x 3/4"
24" SHELF PB 3/4	22 3/16" x 22 1/8" x 3/4"
24" SHELF PB 3/4	22 3/16" x 22 1/8" x 3/4"
30" SHELF PB 3/4	28 3/16" x 22 1/8" x 3/4"
36" SHELF PB 3/4	34 3/16" x 22 1/8" x 3/4"
42" SHELF PB 3/4	40 3/16" x 22 1/8" x 3/4"
S1212	10 1/4" x 10 1/4" x 3/4"
S1512	13 1/4" x 10 1/4" x 3/4"
S1812	16 1/4" x 10 1/4" x 3/4"
S2112	19 1/4" x 10 1/4" x 3/4"
S2412	22 1/4" x 10 1/4" x 3/4"
S3612	34 1/4" x 10 1/4" x 3/4"
S1221	10 3/16" x 18 7/8" x 3/4"
S1521	13 3/16" x 18 7/8" x 3/4"
S1821	16 3/16" x 18 7/8" x 3/4"
S2421	22 3/16" x 18 7/8" x 3/4"
S924	7 3/16" x 22 1/8" x 3/4"
S1224	10 3/16" x 22 1/8" x 3/4"
S1524	13 3/16" x 22 1/8" x 3/4"
S1824	16 3/16" x 22 1/8" x 3/4"
S2124	19 3/16" x 22 1/8" x 3/4"
S2424	22 3/16" x 22 1/8" x 3/4"
S2724	25 3/16" x 22 1/8" x 3/4"
S3024	28 3/16" x 22 1/8" x 3/4"
S3324	31 3/16" x 22 1/8" x 3/4"
S3624	34 3/16" x 22 1/8" x 3/4"
Miscellaneous Shelves	
BS18 SHELF _PK	16 1/4" x 10 1/4" x 23/32"
BS24 SHELF _PK	22 1/4" x 10 1/4" x 23/32"
BS30 SHELF _PK	28 1/4" x 10 1/4" x 23/32"
BS36 SHELF _PK	34 1/4" x 10 1/4" x 23/32"
TV30 SHELF 9	8 7/8" x 3" x 1/2"
TV30 SHELF 18	17 9/32" x 3" x 1/2"
TV36 SHELF 11	10 7/8" x 3" x 1/2"
TV36 SHELF 22	21 9/32" x 3" x 1/2"
WMSC2718 TOP SHELF	25 1/4" x 16 1/4" x 3/4"

SLIDING ACCESSORIES		
Part Name	Standard Dimension	Upgraded CCSS Dimension
Sliding Shelves		
SSK12	8 1/2" x 21 3/16" x 2"	7 3/4" x 21" x 3 1/2"
SSK15	11 1/2" x 21 3/16" x 2"	10 3/4" x 21" x 3 1/2"
SSK18	14 1/2" x 21 3/16" x 2"	13 3/4" x 21" x 3 1/2"
SSK19	16" x 21 3/16" x 2"	15 1/4" x 21" x 3 1/2"
SSK21	17 1/2" x 21 3/16" x 2"	16 3/4" x 21" x 3 1/2"
SSK24	20 1/2" x 21 3/16" x 2"	19 3/4" x 21" x 3 1/2"
SSK27	23 1/2" x 21 3/16" x 2"	22 3/4" x 21" x 3 1/2"
SSK30	26 1/2" x 21 3/16" x 2"	25 3/4" x 21" x 3 1/2"
SSK33	29 1/2" x 21 3/16" x 2"	28 3/4" x 21" x 3 1/2"
SSK36	32 1/2" x 21 3/16" x 2"	31 3/4" x 21" x 3 1/2"
SSK1221	8 1/2" x 18 3/16" x 2"	7 3/4" x 18" x 3 1/2"
SSK1521	11 1/2" x 18 3/16" x 2"	10 3/4" x 18" x 3 1/2"
SSK1821	14 1/2" x 18 3/16" x 2"	13 3/4" x 18" x 3 1/2"
SSK2421	20 1/2" x 18 3/16" x 2"	19 3/4" x 18" x 3 1/2"
Base Pot & Pan Organizers		
BPPOKCC24	19 3/4" x 19" x 21"	19 3/4" x 19" x 21"
BPPOKCC27	22 3/4" x 19" x 21"	22 3/4" x 19" x 21"
BPPOKCC30	25 3/4" x 19" x 21"	25 3/4" x 19" x 21"
BPPOKCC33	28 3/4" x 19" x 21"	28 3/4" x 19" x 21"
BPPOKCC36	31 3/4" x 19" x 21"	31 3/4" x 19" x 21"
Roll-Out Tray Dividers		
ROTDKCC12	7 3/4" x 21"	7 3/4" x 21"
ROTDKCC15	10 3/4" x 21"	10 3/4" x 21"

DRAWER FRONTS		
Part Name	Full Overlay	Partial Overlay
Standard Drawer Front		
DDF12	11 9/16" x 5 13/16"	9 7/8" x 5 1/8"
DDF15	14 9/16" x 5 13/16"	12 7/8" x 5 1/8"
DDF18	17 9/16" x 5 13/16"	15 7/8" x 5 1/8"
DDF19	19 1/16" x 5 13/16"	17 3/8" x 5 1/8"
DDF21	20 9/16" x 5 13/16"	18 7/8" x 5 1/8"
DDF24	23 9/16" x 5 13/16"	21 7/8" x 5 1/8"
DDF27	26 9/16" x 5 13/16"	24 7/8" x 5 1/8"
DDF30	29 9/16" x 5 13/16"	27 7/8" x 5 1/8"
DDF33	32 9/16" x 5 13/16"	30 7/8" x 5 1/8"
DDF36	35 9/16" x 5 13/16"	33 7/8" x 5 1/8"
DDF18 DRILL	17 9/16" x 5 13/16"	15 7/8" x 5 1/8"
DDF19 DRILL	19 1/16" x 5 13/16"	17 3/8" x 5 1/8"
DDF21 DRILL	20 9/16" x 5 13/16"	18 7/8" x 5 1/8"
DDF24 DRILL	23 9/16" x 5 13/16"	21 7/8" x 5 1/8"
DDF27 DRILL	26 9/16" x 5 13/16"	24 7/8" x 5 1/8"
DDF30 DRILL	29 9/16" x 5 13/16"	27 7/8" x 5 1/8"
DDF33 DRILL	32 9/16" x 5 13/16"	30 7/8" x 5 1/8"
DDF36 DRILL	35 9/16" x 5 13/16"	33 7/8" x 5 1/8"
DDFOV27	26 9/16" x 7 7/16"	-
DDFOV30	29 9/16" x 7 7/16"	-
DDFOV33	32 9/16" x 7 7/16"	-
Large Drawer Front		
DDF12D	-	9 7/8" x 10 13/16"
DDF12M	11 9/16" x 11 27/32"	-
DDF12VD	11 9/16" x 13 3/8"	-
DDF15D	-	12 7/8" x 10 13/16"
DDF15M	14 9/16" x 11 27/32"	-
DDF15VD	14 9/16" x 13 3/8"	-
DDF18D	-	15 7/8" x 10 13/16"
DDF18M	17 9/16" x 11 27/32"	-
DDF18VD	17 9/16" x 13 3/8"	-
DDF21D	-	18 7/8" x 10 13/16"
DDF21M	20 9/16" x 11 27/32"	-
DDF21VD	20 9/16" x 13 3/8"	-
DDF24D	-	21 7/8" x 10 13/16"
DDF24M	23 9/16" x 11 27/32"	-
DDF24VD	23 9/16" x 13 3/8"	-
DDF27D	-	24 7/8" x 10 13/16"
DDF27M	26 9/16" x 11 27/32"	-
DDF30D	-	27 7/8" x 10 13/16"
DDF30M	29 9/16" x 11 27/32"	-
DDF33D	-	30 7/8" x 10 13/16"
DDF33M	32 9/16" x 11 27/32"	-
DDF36D	-	33 7/8" x 10 13/16"
DDF36M	35 9/16" x 11 27/32"	-
2DB Drawer Front		
DDF21 2DB	20 9/16" x 14 27/32"	18 7/8" x 13 13/16"
DDF24 2DB	23 9/16" x 14 27/32"	21 7/8" x 13 13/16"
DDF27 2DB	26 9/16" x 14 27/32"	24 7/8" x 13 13/16"
DDF30 2DB	29 9/16" x 14 27/32"	27 7/8" x 13 13/16"
DDF33 2DB	31 9/16" x 14 27/32"	30 7/8" x 13 13/16"
DDF36 2DB	35 9/16" x 14 27/32"	33 7/8" x 13 13/16"
Miscellaneous Drawer Front		
DDFKDC27/21	20 9/16" x 4 7/16"	18 7/8" x 3 3/4"
DDFKDC33/27	26 9/16" x 4 7/16"	24 7/8" x 3 3/4"
DDFKDC36/33	32 9/16" x 4 7/16"	30 7/8" x 3 3/4"
DDF SDC	5 11/16" x 5 1/2" x 1/2"	5 11/16" x 5 1/2" x 1/2"

DRAWER BODIES	
Part Name	Dimensions
Standard "SG" Drawer Bodies	
21" Deep	
DRB12 X 21DP SG	8 1/16" x 3 1/2" x 21"
DRB15 X 21DP SG	11 1/16" x 3 1/2" x 21"
DRB18 X 21DP SG	14 1/16" x 3 1/2" x 21"
DRB19 X 21DP SG	15 9/16" x 3 1/2" x 21"
DRB21 X 21DP SG	17 1/16" x 3 1/2" x 21"
DRB24 X 21DP SG	20 1/16" x 3 1/2" x 21"
DRB27 X 21DP SG	23 1/16" x 3 1/2" x 21"
DRB30 X 21DP SG	26 1/16" x 3 1/2" x 21"
DRB33 X 21DP SG	29 1/16" x 3 1/2" x 21"
DRB36 X 21DP SG	32 1/16" x 3 1/2" x 21"
18" Deep	
DRB12 X 18DP SG	8 1/16" x 3 1/2" x 18"
DRB15 X 18DP SG	11 1/16" x 3 1/2" x 18"
DRB18 X 18DP SG	14 1/16" x 3 1/2" x 18"
DRB19 X 18DP SG	15 9/16" x 3 1/2" x 18"
DRB21 X 18DP SG	17 1/16" x 3 1/2" x 18"
DRB24 X 18DP SG	20 1/16" x 3 1/2" x 18"
DRB27 X 18DP SG	23 1/16" x 3 1/2" x 18"
DRB30 X 18DP SG	26 1/16" x 3 1/2" x 18"
DRB33 X 18DP SG	29 1/16" x 3 1/2" x 18"
DRB36 X 18DP SG	32 1/16" x 3 1/2" x 18"
15" Deep	
DRB12 X 15DP SG	8 1/16" x 3 1/2" x 15"
DRB15 X 15DP SG	11 1/16" x 3 1/2" x 15"
DRB18 X 15DP SG	14 1/16" x 3 1/2" x 15"
DRB19 X 15DP SG	15 9/16" x 3 1/2" x 15"
DRB21 X 15DP SG	17 1/16" x 3 1/2" x 15"
DRB24 X 15DP SG	20 1/16" x 3 1/2" x 15"
DRB27 X 15DP SG	23 1/16" x 3 1/2" x 15"
DRB30 X 15DP SG	26 1/16" x 3 1/2" x 15"
DRB33 X 15DP SG	29 1/16" x 3 1/2" x 15"
DRB36 X 15DP SG	32 1/16" x 3 1/2" x 15"
12" Deep	
DRB12 X 12DP SG	8 1/16" x 3 1/2" x 12"
DRB15 X 12DP SG	11 1/16" x 3 1/2" x 12"
DRB18 X 12DP SG	14 1/16" x 3 1/2" x 12"
DRB19 X 12DP SG	15 9/16" x 3 1/2" x 12"
DRB21 X 12DP SG	17 1/16" x 3 1/2" x 12"
DRB24 X 12DP SG	20 1/16" x 3 1/2" x 12"
DRB27 X 12DP SG	23 1/16" x 3 1/2" x 12"
DRB30 X 12DP SG	26 1/16" x 3 1/2" x 12"
DRB33 X 12DP SG	29 1/16" x 3 1/2" x 12"
DRB36 X 12DP SG	32 1/16" x 3 1/2" x 12"
9" Deep	
DRB12 X 9DP SG	8 1/16" x 3 1/2" x 9"
DRB15 X 9DP SG	11 1/16" x 3 1/2" x 9"
DRB18 X 9DP SG	14 1/16" x 3 1/2" x 9"
DRB19 X 9DP SG	15 9/16" x 3 1/2" x 9"
DRB21 X 9DP SG	17 1/16" x 3 1/2" x 9"
DRB24 X 9DP SG	20 1/16" x 3 1/2" x 9"
DRB27 X 9DP SG	23 1/16" x 3 1/2" x 9"
DRB30 X 9DP SG	26 1/16" x 3 1/2" x 9"
DRB33 X 9DP SG	29 1/16" x 3 1/2" x 9"
DRB36 X 9DP SG	32 1/16" x 3 1/2" x 9"

DRAWER BODIES	
Part Name	Dimensions
Large "SG" Drawer Bodies	
21" Deep	
DRB12M X 21DP SG	7 23/32" x 7 3/4" x 21"
DRB15M X 21DP SG	10 23/32" x 7 3/4" x 21"
DRB18M X 21DP SG	13 23/32" x 7 3/4" x 21"
DRB21M X 21DP SG	16 23/32" x 7 3/4" x 21"
DRB24M X 21DP SG	19 23/32" x 7 3/4" x 21"
DRB27M X 21DP SG	22 23/32" x 7 3/4" x 21"
DRB30M X 21DP SG	25 23/32" x 7 3/4" x 21"
DRB33M X 21DP SG	28 23/32" x 7 3/4" x 21"
DRB36M X 21DP SG	31 23/32" x 7 3/4" x 21"
18" Deep	
DRB12M X 18DP SG	7 23/32" x 7 3/4" x 18"
DRB15M X 18DP SG	10 23/32" x 7 3/4" x 18"
DRB18M X 18DP SG	13 23/32" x 7 3/4" x 18"
DRB21M X 18DP SG	16 23/32" x 7 3/4" x 18"
DRB24M X 18DP SG	19 23/32" x 7 3/4" x 18"
DRB27M X 18DP SG	22 23/32" x 7 3/4" x 18"
DRB30M X 18DP SG	25 23/32" x 7 3/4" x 18"
DRB33M X 18DP SG	28 23/32" x 7 3/4" x 18"
DRB36M X 18DP SG	31 23/32" x 7 3/4" x 18"
15" Deep	
DRB12M X 15DP SG	7 23/32" x 7 3/4" x 15"
DRB15M X 15DP SG	10 23/32" x 7 3/4" x 15"
DRB18M X 15DP SG	13 23/32" x 7 3/4" x 15"
DRB21M X 15DP SG	16 23/32" x 7 3/4" x 15"
DRB24M X 15DP SG	19 23/32" x 7 3/4" x 15"
DRB27M X 15DP SG	22 23/32" x 7 3/4" x 15"
DRB30M X 15DP SG	25 23/32" x 7 3/4" x 15"
DRB33M X 15DP SG	28 23/32" x 7 3/4" x 15"
DRB36M X 15DP SG	31 23/32" x 7 3/4" x 15"
12" Deep	
DRB12M X 12DP SG	7 23/32" x 7 3/4" x 12"
DRB15M X 12DP SG	10 23/32" x 7 3/4" x 12"
DRB18M X 12DP SG	13 23/32" x 7 3/4" x 12"
DRB21M X 12DP SG	16 23/32" x 7 3/4" x 12"
DRB24M X 12DP SG	19 23/32" x 7 3/4" x 12"
DRB27M X 12DP SG	22 23/32" x 7 3/4" x 12"
DRB30M X 12DP SG	25 23/32" x 7 3/4" x 12"
DRB33M X 12DP SG	28 23/32" x 7 3/4" x 12"
DRB36M X 12DP SG	31 23/32" x 7 3/4" x 12"
9" Deep	
DRB12M X 9DP SG	7 23/32" x 7 3/4" x 9"
DRB15M X 9DP SG	10 23/32" x 7 3/4" x 9"
DRB18M X 9DP SG	13 23/32" x 7 3/4" x 9"
DRB21M X 9DP SG	16 23/32" x 7 3/4" x 9"
DRB24M X 9DP SG	19 23/32" x 7 3/4" x 9"
DRB27M X 9DP SG	22 23/32" x 7 3/4" x 9"
DRB30M X 9DP SG	25 23/32" x 7 3/4" x 9"
DRB33M X 9DP SG	28 23/32" x 7 3/4" x 9"

DRAWER BODIES	
Part Name	Dimensions
2 Drawer Base	
DRB21 HD X 21DPDTFD	17 1/32" x 7" x 21"
DRB24 HD X 21DPDTFD	20 1/32" x 7" x 21"
DRB27 HD X 21DPDTFD	23 1/32" x 7" x 21"
DRB30 HD X 21DPDTFD	26 1/32" x 7" x 21"
DRB33 HD X 21DPDTFD	29 1/32" x 7" x 21"
DRB36 HD X 21DPDTFD	32 1/32" x 7" x 21"
Kneehole Drawer	
DRBKDC27X 15DP DT FD	16 23/32" x 2 11/32" x 15"
DRBKDC33X 15DP DT FD	22 23/32" x 2 11/32" x 15"
DRBKDC36X 15DP DT FD	28 23/32" x 2 11/32" x 15"
Miscellaneous	
DRB6 BSDC6	4 29/32" x 22 15/16" x 4 3/4"
DRB6 SDC30	4 29/32" x 10 15/16" x 4 3/4"
DRB6 SDC30	4 29/32" x 10 15/16" x 4 3/4"
DRB6 SDC30	4 29/32" x 10 15/16" x 4 3/4"
DRB6 SDC30	4 29/32" x 10 15/16" x 4 3/4"

DRAWER BODIES	
Part Name	Dimensions
Upgraded "FD" Drawer Bodies	
21" Deep	
DRB12 X 21DP DT FD	8 1/16" x 3 1/2" x 21"
DRB15 X 21DP DT FD	11 1/16" x 3 1/2" x 21"
DRB18 X 21DP DT FD	14 1/16" x 3 1/2" x 21"
DRB19 X 21DP DT FD	15 9/16" x 3 1/2" x 21"
DRB21 X 21DP DT FD	17 1/16" x 3 1/2" x 21"
DRB24 X 21DP DT FD	20 1/16" x 3 1/2" x 21"
DRB27 X 21DP DT FD	23 1/16" x 3 1/2" x 21"
DRB30 X 21DP DT FD	26 1/16" x 3 1/2" x 21"
DRB33 X 21DP DT FD	29 1/16" x 3 1/2" x 21"
DRB36 X 21DP DT FD	32 1/16" x 3 1/2" x 21"
18" Deep	
DRB12 X 18DP DT FD	8 1/16" x 3 1/2" x 18"
DRB15 X 18DP DT FD	11 1/16" x 3 1/2" x 18"
DRB18 X 18DP DT FD	14 1/16" x 3 1/2" x 18"
DRB19 X 18DP DT FD	15 9/16" x 3 1/2" x 18"
DRB21 X 18DP DT FD	17 1/16" x 3 1/2" x 18"
DRB24 X 18DP DT FD	20 1/16" x 3 1/2" x 18"
DRB27 X 18DP DT FD	23 1/16" x 3 1/2" x 18"
DRB30 X 18DP DT FD	26 1/16" x 3 1/2" x 18"
DRB33 X 18DP DT FD	29 1/16" x 3 1/2" x 18"
DRB36 X 18DP DT FD	32 1/16" x 3 1/2" x 18"
15" Deep	
DRB12 X 15DP DT FD	8 1/16" x 3 1/2" x 15"
DRB15 X 15DP DT FD	11 1/16" x 3 1/2" x 15"
DRB18 X 15DP DT FD	14 1/16" x 3 1/2" x 15"
DRB19 X 15DP DT FD	15 9/16" x 3 1/2" x 15"
DRB21 X 15DP DT FD	17 1/16" x 3 1/2" x 15"
DRB24 X 15DP DT FD	20 1/16" x 3 1/2" x 15"
DRB27 X 15DP DT FD	23 1/16" x 3 1/2" x 15"
DRB30 X 15DP DT FD	26 1/16" x 3 1/2" x 15"
DRB33 X 15DP DT FD	29 1/16" x 3 1/2" x 15"
DRB36 X 15DP DT FD	32 1/16" x 3 1/2" x 15"
12" Deep	
DRB12 X 12DP DT FD	8 1/16" x 3 1/2" x 12"
DRB15 X 12DP DT FD	11 1/16" x 3 1/2" x 12"
DRB18 X 12DP DT FD	14 1/16" x 3 1/2" x 12"
DRB19 X 12DP DT FD	15 9/16" x 3 1/2" x 12"
DRB21 X 12DP DT FD	17 1/16" x 3 1/2" x 12"
DRB24 X 12DP DT FD	20 1/16" x 3 1/2" x 12"
DRB27 X 12DP DT FD	23 1/16" x 3 1/2" x 12"
DRB30 X 12DP DT FD	26 1/16" x 3 1/2" x 12"
DRB33 X 12DP DT FD	29 1/16" x 3 1/2" x 12"
DRB36 X 12DP DT FD	32 1/16" x 3 1/2" x 12"
9" Deep	
DRB12 X 9DP DT FD	8 1/16" x 3 1/2" x 9"
DRB15 X 9DP DT FD	11 1/16" x 3 1/2" x 9"
DRB18 X 9DP DT FD	14 1/16" x 3 1/2" x 9"
DRB19 X 9DP DT FD	15 9/16" x 3 1/2" x 9"
DRB21 X 9DP DT FD	17 1/16" x 3 1/2" x 9"
DRB24 X 9DP DT FD	20 1/16" x 3 1/2" x 9"
DRB27 X 9DP DT FD	23 1/16" x 3 1/2" x 9"
DRB30 X 9DP DT FD	26 1/16" x 3 1/2" x 9"
DRB33 X 9DP DT FD	29 1/16" x 3 1/2" x 9"
DRB36 X 9DP DT FD	32 1/16" x 3 1/2" x 9"

DRAWER BODIES	
Part Name	Dimensions
Upgraded Large "FD" Drawer Bodies	
21" Deep	
DRB12M X 21DP DT FD	8 1/16" x 7" x 21"
DRB15M X 21DP DT FD	11 1/16" x 7" x 21"
DRB18M X 21DP DT FD	14 1/16" x 7" x 21"
DRB21M X 21DP DT FD	17 1/16" x 7" x 21"
DRB24M X 21DP DT FD	20 1/16" x 7" x 21"
DRB27M X 21DP DT FD	23 1/16" x 7" x 21"
DRB30M X 21DP DT FD	26 1/16" x 7" x 21"
DRB33M X 21DP DT FD	29 1/16" x 7" x 21"
DRB36M X 21DP DT FD	32 1/16" x 7" x 21"
18" Deep	
DRB12M X 18DP DT FD	8 1/16" x 7" x 18"
DRB15M X 18DP DT FD	11 1/16" x 7" x 18"
DRB18M X 18DP DT FD	14 1/16" x 7" x 18"
DRB21M X 18DP DT FD	17 1/16" x 7" x 18"
DRB24M X 18DP DT FD	20 1/16" x 7" x 18"
DRB27M X 18DP DT FD	23 1/16" x 7" x 18"
DRB30M X 18DP DT FD	26 1/16" x 7" x 18"
DRB33M X 18DP DT FD	29 1/16" x 7" x 18"
DRB36M X 18DP DT FD	32 1/16" x 7" x 18"
15" Deep	
DRB12M X 15DP DT FD	8 1/16" x 7" x 15"
DRB15M X 15DP DT FD	11 1/16" x 7" x 15"
DRB18M X 15DP DT FD	14 1/16" x 7" x 15"
DRB21M X 15DP DT FD	17 1/16" x 7" x 15"
DRB24M X 15DP DT FD	20 1/16" x 7" x 15"
DRB27M X 15DP DT FD	23 1/16" x 7" x 15"
DRB30M X 15DP DT FD	26 1/16" x 7" x 15"
DRB33M X 15DP DT FD	29 1/16" x 7" x 15"
DRB36M X 15DP DT FD	32 1/16" x 7" x 15"
12" Deep	
DRB12M X 12DP DT FD	8 1/16" x 7" x 12"
DRB15M X 12DP DT FD	11 1/16" x 7" x 12"
DRB18M X 12DP DT FD	14 1/16" x 7" x 12"
DRB21M X 12DP DT FD	17 1/16" x 7" x 12"
DRB24M X 12DP DT FD	20 1/16" x 7" x 12"
DRB27M X 12DP DT FD	23 1/16" x 7" x 12"
DRB30M X 12DP DT FD	26 1/16" x 7" x 12"
DRB33M X 12DP DT FD	29 1/16" x 7" x 12"
DRB36M X 12DP DT FD	32 1/16" x 7" x 12"
9" Deep	
DRB12M X 9DP DT FD	8 1/16" x 7" x 9"
DRB15M X 9DP DT FD	11 1/16" x 7" x 9"
DRB18M X 9DP DT FD	14 1/16" x 7" x 9"
DRB21M X 9DP DT FD	17 1/16" x 7" x 9"
DRB24M X 9DP DT FD	20 1/16" x 7" x 9"
DRB27M X 9DP DT FD	23 1/16" x 7" x 9"
DRB30M X 9DP DT FD	26 1/16" x 7" x 9"
DRB33M X 9DP DT FD	29 1/16" x 7" x 9"

GLASS INSERTS

SKU	28, 29, 44, 47, 48, 69, 70, 74, 75, 78, 79	35, 54, 57, 58	39, 40, 42	08, 18, 19
12" WIDE				
DGI-1212	8" x 7 15/16"	6 5/16" x 6 3/8"	6 5/16" x 6 3/8"	6 5/16" x 6 3/8"
DGI-1212 BUTT	8" x 7 15/16"	6 9/16" x 6 3/8"	6 5/16" x 6 3/8"	7 3/8" x 6 3/8"
DGI-1215	8" x 10 15/16"	6 5/16" x 9 3/8"	6 5/16" x 9 3/8"	6 5/16" x 9 3/8"
DGI-1215 BUTT	8" x 10 15/16"	6 9/16" x 9 3/8"	6 5/16" x 9 3/8"	7 3/8" x 9 3/8"
DGI-1218	8" x 13 15/16"	6 5/16" x 12 3/8"	6 5/16" x 12 3/8"	6 5/16" x 12 3/8"
DGI-1218 BUTT	8" x 13 15/16"	6 9/16" x 12 3/8"	6 5/16" x 12 3/8"	7 3/8" x 12 3/8"
DGI-1224	8" x 20 5/16"	6 5/16" x 18 3/4"	6 5/16" x 18 3/4"	6 5/16" x 18 3/4"
DGI-1224 BUTT	8" x 20 5/16"	6 9/16" x 18 3/4"	6 5/16" x 18 3/4"	7 3/8" x 18 3/4"
DGI-1230	8" x 25 15/16"	6 5/16" x 24 3/8"	6 5/16" x 24 3/8"	6 5/16" x 24 3/8"
DGI-1230 BUTT	8" x 25 15/16"	6 9/16" x 24 3/8"	6 5/16" x 24 3/8"	7 3/8" x 24 3/8"
DGI-1236	8" x 31 15/16"	6 5/16" x 30 3/8"	6 5/16" x 30 3/8"	6 5/16" x 30 3/8"
DGI-1236 BUTT	8" x 31 15/16"	6 9/16" x 30 3/8"	6 5/16" x 30 3/8"	7 3/8" x 30 3/8"
DGI-1239	8" x 34 15/16"	6 5/16" x 33 3/8"	6 5/16" x 33 3/8"	6 5/16" x 33 3/8"
DGI-1239 BUTT	8" x 34 15/16"	6 9/16" x 33 3/8"	6 5/16" x 33 3/8"	7 3/8" x 33 3/8"
DGI-1242	8" x 37 15/16"	6 5/16" x 36 3/8"	6 5/16" x 36 3/8"	6 5/16" x 36 3/8"
DGI-1242 BUTT	8" x 37 15/16"	6 9/16" x 36 3/8"	6 5/16" x 36 3/8"	7 3/8" x 36 3/8"
13" WIDE				
DGI-1312 BUTT	9 1/2" x 7 15/16"	8 1/16" x 6 3/8"	7 13/16" x 6 3/8"	8 7/8" x 6 3/8"
DGI-1315 BUTT	9 1/2" x 10 15/16"	8 1/16" x 9 3/8"	7 13/16" x 9 3/8"	8 7/8" x 9 3/8"
DGI-1318 BUTT	9 1/2" x 13 15/16"	8 1/16" x 12 3/8"	7 13/16" x 12 3/8"	8 7/8" x 12 3/8"
DGI-1324 BUTT	9 1/2" x 20 5/16"	8 1/16" x 18 3/4"	7 13/16" x 18 3/4"	8 7/8" x 18 3/4"
DGI-1330 BUTT	9 1/2" x 25 15/16"	8 1/16" x 24 3/8"	7 13/16" x 24 3/8"	8 7/8" x 24 3/8"
DGI-1336 BUTT	9 1/2" x 31 15/16"	8 1/16" x 30 3/8"	7 13/16" x 30 3/8"	8 7/8" x 30 3/8"
DGI-1339 BUTT	9 1/2" x 34 15/16"	8 1/16" x 33 3/8"	7 13/16" x 33 3/8"	8 7/8" x 33 3/8"
DGI-1342 BUTT	9 1/2" x 37 15/16"	8 1/16" x 36 3/8"	7 13/16" x 36 3/8"	8 7/8" x 36 3/8"
15" WIDE				
DGI-1512	11" x 7 15/16"	9 5/16" x 6 3/8"	9 5/16" x 6 3/8"	9 5/16" x 6 3/8"
DGI-1512 BUTT	11" x 7 15/16"	9 9/16" x 6 3/8"	9 5/16" x 6 3/8"	10 3/8" x 6 3/8"
DGI-1515	11" x 10 15/16"	9 5/16" x 9 3/8"	9 5/16" x 9 3/8"	9 5/16" x 9 3/8"
DGI-1515 BUTT	11" x 10 15/16"	9 9/16" x 9 3/8"	9 5/16" x 9 3/8"	10 3/8" x 9 3/8"
DGI-1518	11" x 13 15/16"	9 5/16" x 12 3/8"	9 5/16" x 12 3/8"	9 5/16" x 12 3/8"
DGI-1518 BUTT	11" x 13 15/16"	9 9/16" x 12 3/8"	9 5/16" x 12 3/8"	10 3/8" x 12 3/8"
DGI-1521 BUTT	11" x 16 7/16"	9 9/16" x 14 7/8"	9 5/16" x 14 7/8"	10 3/8" x 14 7/8"
DGI-1524	11" x 20 5/16"	9 5/16" x 18 3/4"	9 5/16" x 18 3/4"	9 5/16" x 18 3/4"
DGI-1524 BUTT	11" x 20 5/16"	9 9/16" x 18 3/4"	9 5/16" x 18 3/4"	10 3/8" x 18 3/4"
DGI-1527 BUTT	11" x 22 15/16"	9 9/16" x 21 3/8"	9 5/16" x 21 3/8"	10 3/8" x 21 3/8"
DGI-1530	11" x 25 15/16"	9 5/16" x 24 3/8"	9 5/16" x 24 3/8"	9 5/16" x 24 3/8"
DGI-1530 BUTT	11" x 25 15/16"	9 9/16" x 24 3/8"	9 5/16" x 24 3/8"	10 3/8" x 24 3/8"
DGI-1536	11" x 31 15/16"	9 5/16" x 30 3/8"	9 5/16" x 30 3/8"	9 5/16" x 30 3/8"
DGI-1536 BUTT	11" x 31 15/16"	9 9/16" x 30 3/8"	9 5/16" x 30 3/8"	10 3/8" x 30 3/8"
DGI-1539	11" x 34 15/16"	9 5/16" x 33 3/8"	9 5/16" x 33 3/8"	9 5/16" x 33 3/8"
DGI-1539 BUTT	11" x 34 15/16"	9 9/16" x 33 3/8"	9 5/16" x 33 3/8"	10 3/8" x 33 3/8"
DGI-1542	11" x 37 15/16"	9 5/16" x 36 3/8"	9 5/16" x 36 3/8"	9 5/16" x 36 3/8"
DGI-1542 BUTT	11" x 37 15/16"	9 9/16" x 36 3/8"	9 5/16" x 36 3/8"	10 3/8" x 36 3/8"
16" WIDE				
DGI-1612 BUTT	12 1/2" x 7 15/16"	11 1/16" x 6 3/8"	10 13/16" x 6 3/8"	11 7/8" x 6 3/8"
DGI-1615 BUTT	12 1/2" x 10 15/16"	11 1/16" x 9 3/8"	10 13/16" x 9 3/8"	11 7/8" x 9 3/8"
DGI-1618 BUTT	12 1/2" x 13 15/16"	11 1/16" x 12 3/8"	10 13/16" x 12 3/8"	11 7/8" x 12 3/8"
DGI-1621 BUTT	12 1/2" x 16 7/16"	11 1/16" x 14 7/8"	10 13/16" x 14 7/8"	11 7/8" x 14 7/8"
DGI-1624 BUTT	12 1/2" x 20 5/16"	11 1/16" x 18 3/4"	10 13/16" x 18 3/4"	11 7/8" x 18 3/4"
DGI-1630 BUTT	12 1/2" x 25 15/16"	11 1/16" x 24 3/8"	10 13/16" x 24 3/8"	11 7/8" x 24 3/8"
DGI-1636 BUTT	12 1/2" x 31 15/16"	11 1/16" x 30 3/8"	10 13/16" x 30 3/8"	11 7/8" x 30 3/8"
DGI-1639 BUTT	12 1/2" x 34 15/16"	11 1/16" x 33 3/8"	10 13/16" x 33 3/8"	11 7/8" x 33 3/8"
DGI-1642 BUTT	12 1/2" x 37 15/16"	11 1/16" x 36 3/8"	10 13/16" x 36 3/8"	11 7/8" x 36 3/8"

GLASS INSERTS				
SKU	28, 29, 44, 47, 48, 69, 70, 74, 75, 78, 79	35, 54, 57, 58	39, 40, 42	08, 18, 19
18" WIDE				
DGI-1812	14" x 7 15/16"	12 5/16" x 6 3/8"	12 5/16" x 6 3/8"	12 5/16" x 6 3/8"
DGI-1812 BUTT	14" x 7 15/16"	12 9/16" x 6 3/8"	12 5/16" x 6 3/8"	13 3/8" x 6 3/8"
DGI-1815	14" x 10 15/16"	12 5/16" x 9 3/8"	12 5/16" x 9 3/8"	12 5/16" x 9 3/8"
DGI-1815 BUTT	14" x 10 15/16"	12 9/16" x 9 3/8"	12 5/16" x 9 3/8"	13 3/8" x 9 3/8"
DGI-1818	14" x 13 15/16"	12 5/16" x 12 3/8"	12 5/16" x 12 3/8"	12 5/16" x 12 3/8"
DGI-1818 BUTT	14" x 13 15/16"	12 9/16" x 12 3/8"	12 5/16" x 12 3/8"	13 3/8" x 12 3/8"
DGI-1821 BUTT	14" x 16 7/16"	12 9/16" x 14 7/8"	12 5/16" x 14 7/8"	13 3/8" x 14 7/8"
DGI-1824	14" x 20 5/16"	12 5/16" x 18 3/4"	12 5/16" x 18 3/4"	12 5/16" x 18 3/4"
DGI-1824 BUTT	14" x 20 5/16"	12 9/16" x 18 3/4"	12 5/16" x 18 3/4"	13 3/8" x 18 3/4"
DGI-1830	14" x 25 15/16"	12 5/16" x 24 3/8"	12 5/16" x 24 3/8"	12 5/16" x 24 3/8"
DGI-1830 BUTT	14" x 25 15/16"	12 9/16" x 24 3/8"	12 5/16" x 24 3/8"	13 3/8" x 24 3/8"
DGI-1836	14" x 31 15/16"	12 5/16" x 30 3/8"	12 5/16" x 30 3/8"	12 5/16" x 30 3/8"
DGI-1836 BUTT	14" x 31 15/16"	12 9/16" x 30 3/8"	12 5/16" x 30 3/8"	13 3/8" x 30 3/8"
DGI-1839	14" x 34 15/16"	12 5/16" x 33 3/8"	12 5/16" x 33 3/8"	12 5/16" x 33 3/8"
DGI-1839 BUTT	14" x 34 15/16"	12 9/16" x 33 3/8"	12 5/16" x 33 3/8"	13 3/8" x 33 3/8"
DGI-1842	14" x 37 15/16"	12 5/16" x 36 3/8"	12 5/16" x 36 3/8"	12 5/16" x 36 3/8"
DGI-1842 BUTT	14" x 37 15/16"	12 9/16" x 36 3/8"	12 5/16" x 36 3/8"	13 3/8" x 36 3/8"
18 1/2" WIDE				
DGI-18.512 BUTT	14 1/2" x 7 15/16"	13 1/16" x 6 3/8"	13 1/16" x 6 3/8"	13 13/16" x 6 3/8"
DGI-18.515 BUTT	14 1/2" x 10 15/16"	13 1/16" x 9 3/8"	13 1/16" x 9 3/8"	13 13/16" x 9 3/8"
DGI-18.518 BUTT	14 1/2" x 13 15/16"	13 1/16" x 12 3/8"	13 1/16" x 12 3/8"	13 13/16" x 12 3/8"
DGI-18.521 BUTT	14 1/2" x 16 7/16"	13 1/16" x 14 7/8"	13 1/16" x 14 7/8"	13 13/16" x 14 7/8"
DGI-18.524 BUTT	14 1/2" x 20 5/16"	13 1/16" x 18 3/4"	13 1/16" x 18 3/4"	13 13/16" x 18 3/4"
19" WIDE				
DGI-1912	15 1/2" x 7 15/16"	13 13/16" x 6 3/8"	13 13/16" x 6 3/8"	13 13/16" x 6 3/8"
DGI-1915	15 1/2" x 10 15/16"	13 13/16" x 9 3/8"	13 13/16" x 9 3/8"	13 13/16" x 9 3/8"
DGI-1918	15 1/2" x 13 15/16"	13 13/16" x 12 3/8"	13 13/16" x 12 3/8"	13 13/16" x 12 3/8"
DGI-1921	15 1/2" x 16 7/16"	13 13/16" x 14 7/8"	13 13/16" x 14 7/8"	13 13/16" x 14 7/8"
DGI-1924	15 1/2" x 20 5/16"	13 13/16" x 18 3/4"	13 13/16" x 18 3/4"	13 13/16" x 18 3/4"
DGI-1930	15 1/2" x 25 15/16"	13 13/16" x 24 3/8"	13 13/16" x 24 3/8"	13 13/16" x 24 3/8"
DGI-1936	15 1/2" x 31 15/16"	13 13/16" x 30 3/8"	13 13/16" x 30 3/8"	13 13/16" x 30 3/8"
DGI-1942	15 1/2" x 37 15/16"	13 13/16" x 36 3/8"	13 13/16" x 36 3/8"	13 13/16" x 36 3/8"
21" WIDE				
DGI-2112	17" x 7 15/16"	15 5/16" x 6 3/8"	15 5/16" x 6 3/8"	15 5/16" x 6 3/8"
DGI-2115	17" x 10 15/16"	15 5/16" x 9 3/8"	15 5/16" x 9 3/8"	15 5/16" x 9 3/8"
DGI-2118	17" x 13 15/16"	15 5/16" x 12 3/8"	15 5/16" x 12 3/8"	15 5/16" x 12 3/8"
DGI-2124	17" x 20 5/16"	15 5/16" x 18 3/4"	15 5/16" x 18 3/4"	15 5/16" x 18 3/4"
DGI-2130	17" x 25 15/16"	15 5/16" x 24 3/8"	15 5/16" x 24 3/8"	15 5/16" x 24 3/8"
DGI-2136	17" x 31 15/16"	15 5/16" x 30 3/8"	15 5/16" x 30 3/8"	15 5/16" x 30 3/8"
DGI-2139	17" x 34 15/16"	15 5/16" x 33 3/8"	15 5/16" x 33 3/8"	15 5/16" x 33 3/8"
DGI-2142	17" x 37 15/16"	15 5/16" x 36 3/8"	15 5/16" x 36 3/8"	15 5/16" x 36 3/8"

MISCELLANEOUS PARTS & ACCESSORIES

HINGES

Part Name	Description
HINGE 170 FRAMED	Door-to-frame hinge for BER, BSS, CAR or WER cabinet
HINGE ER	Hinge for BER, BSS, CAR or WER24 cabinet
HINGE KIT TRI-VIEW	Hinge Kit for Tri-View Mirror (3 Pulls & 3 Hinges)
HINGE TILT OUT	Hinge for Factory Installed Tilt-Out Tray
HINGE FOL 6WY 45	6-Way Adjustable Full Overlay (FOL) door hinge
HINGE SOL 6WY 45	6-Way Adjustable Partial Overlay (POL) door hinge
HINGE FACEMOUNT 45	Hinge for facemount oven applications
HINGE FOL CC6WY 45DP	6-Way Adjustable CushionClose Hinge for Abilene, Bandera, Canyon, Cooper, Clayton, Denver, Durango, Elderidge, Lubbock and Oxridge door styles
HINGE FOL CC6WY SAL	6-Way Adjustable CushionClose Hinge for Belcourt door styles
HINGE CCFACEMOUNT 45	Hinge with CushionClose for facemount oven applications
HINGE SOL CC6WAY 45	Hinge with 6-Way Adjustment and CushionClose for Barren and Carson door styles
HINGE CC ANG RES CLP	Door Opening Angle Restriction Clip to 86 Degrees - for use on all Integrated CushionClose Hinges, excluding HINGE FOL CC6WY SAL (10 per pack)
HINGE CC RES CLP SAL	Door Opening Angle Restriction Clip to 86 Degrees - for use on HINGE FOL CC6WY SAL Hinges Only (10 per pack)
HINGE SPACER SHIM	Spaces Shim installed between the Hinge and Face Frame, adds inward left/right adjustment (for use on all hinges as needed)

GLIDES/TRACKS/CHANNELS FOR
24" DEEP BASE/DESK OR SLIDING SHELF

Part Name	Description
CHANNEL 21L	Left channel for 24" deep base/desk drawer and sliding shelf
CHANNEL 21R	Right channel for 24" deep base/desk drawer and sliding shelf
CHANNEL SS1 L	Left channel for Sliding Shelf
CHANNEL SS1R	Right channel for Sliding Shelf
GLIDE FD CCL24	Left CushionClose Glide
GLIDE FD CCR24	Right CushionClose Glide
GLIDE HD CCL24	Left CushionClose Glide for 2 Drawer Base Cabinets
GLIDE HD CCR24	Right CushionClose Glide for 2 Drawer Base Cabinets
GLIDE WB CCL24	Left CushionClose Glide for Wastebasket cabinets
GLIDE WB CCR24	Right CushionClose Glide for Wastebasket cabinets
GLIDE WB FAL24	Left Full-Access Glide for Wastebasket cabinets
GLIDE WB FAR24	Right Full-Access Glide for Wastebasket cabinets
GLIDE DROTCCCL24	Left CushionClose glide for SDROT, CCBPPOK, SSK, CCROTDK
GLIDE DROTCCR24	Right CushionClose glide for SDROT, CCBPPOK, SSK, CCROTDK
TRACK GA 21L	Left track for 24" deep base/desk drawer and sliding shelf
TRACK GA 21R	Right track for 24" deep base/desk drawer and sliding shelf

GLIDES/TRACKS/CHANNELS FOR 21" DEEP VANITY/DESK

Part Name	Description
CHANNEL V L	Left channel for 21" deep Vanity/Desk
CHANNEL V R	Right channel for 21" deep Vanity/Desk
TRACK V L	Left track for 21" deep Vanity/Desk
TRACK V R	Right track for 21" deep Vanity/Desk
GLIDE FD CCL VAN21	Left CushionClose glide for 21" deep Vanity/Desk
GLIDE FD CCR VAN21	Right CushionClose glide for 21" deep Vanity/Desk
GLIDE DROTCCCLVLC	Left Full-Access CushionClose® Vanity Linen Sliding Shelf Glide
GLIDE DROTCCRVLC	Right Full-Access CushionClose® Vanity Linen Sliding Shelf Glide
GLIDE WB CCL21	Left CushionClose Glide for DWBB1821 and VWBB1834H
GLIDE WB CCR21	Right CushionClose Glide for DWBB1821 and VWBB1834H

TRACKS/CHANNELS FOR 18" DEEP VANITY
OR KNEEHOLE DRAWER CABINET

Part Name	Description
CHANNEL V 18L	Left channel for 18" deep Vanity or for Kneehole Drawer Cabinet
CHANNEL V 18R	Right channel for 18" deep Vanity or for Kneehole Drawer Cabinet
TRACK GA 16L	Left track for 18" deep Vanity or for Kneehole Drawer Cabinet
TRACK GA 16R	Right track for 18" deep Vanity or for Kneehole Drawer Cabinet

WHITE PLASTIC SPIN SHELVES AND PARTS

Part Name	Description
BSSCAR HUB RAS	With rollers, fits into shelf for pole attachment
BSSCWSCAR BRKT RAS	Top and bottom mounting brackets
BSSCWSCAR COLLAR ASM	Locking adjustable shelf collar for top shelf
BSSCWSCAR T-SHAFT RA	Metal post on which shelves spin (1 required)
BSS33 SHELF RAS	White spin shelf for BSS33/BSS3336/BSS3633 (2 required)
BSS36 SHELF RAS	White spin shelf for BSS36 (2 required)
BSS33 UNIT RAS	Complete spin unit for BSS33
BSS36 UNIT RAS	Complete spin unit for BSS36
CAR SHELF RAS	White spin shelf for CAR36 (2 required)
CAR36 UNIT RAS	Complete spin unit for CAR36
CBS SHELF RAS	White spin shelf for CBS36 (2 required)
CWS HUB RAS	With rollers, fits into shelf for pole attachment
CWS SHELF RAS	White spin shelf for CWS2430 (2 required)
CWS UNIT RAS	Complete plastic spin unit for CWS2430

WOOD SPIN SHELF UNITS - ALL PLYWOOD CONSTRUCTION

Part Name	Description
BSS33 SHELF WD NP PLY	Wood spin unit and plywood shelf for BSS33 WD
BSS3336 SHELF WD NP PLY	Wood spin unit and plywood shelf for BSS3336 WD
BSS36 SHELF WD NP PLY	Wood spin unit and plywood shelf for BSS36 WD
BSS3633 SHELF WD NP PLY	Wood spin unit and plywood shelf for BSS3633 WD
CBS SHELF WD NP PLY	Wood spin unit and plywood shelf for CBS36 WD
CWS24 SHLF WD NP MI	Wood spin unit and matching interior shelf for CWS__WD
CWS24 SHLF WD NP PLY	Wood spin unit and plywood shelf for CWS__WD
CWS24 SHELF WDNPMIPLY	Wood spin unit and matching interior plywood shelf for CWS__WD

CLIPS / BRACKETS	
Part Name	Description
BRACKET CHAN B	Back bracket for side-mounted channels
BRACKET GLIDE HD BOT	Bottom bracket for 2 Drawer Base Cabinets
BRACKET GLIDE WB BOT	Bottom bracket for Wastebasket cabinets
BRACKET GL B DROTUNI	Back bracket for all OVD cabinets, KDC cabinets, SDROT's and any pull-out unit that features full extension glides
BRACKET GL PBC L FG	Left back bracket for Peninsula Base Corner (PBC) Full-Extension Hidden Glide
BRACKET GL PBC R FG	Right back bracket for Peninsula Base Corner (PBC) Full-Extension Hidden Glide
BRACKET GL BD RDL FG	Left back bracket for any bottom drawer that uses the GLIDE FD CCL__ W/EXT (excluding PB, PBC, 2DB)
BRACKET GL BD RDR FG	Right back bracket for any bottom drawer that uses the GLIDE FD CCR__ W/EXT (excluding PB, PBC, 2DB)
BRACKET GL BD UNI FG	Left/Right back bracket for any bottom drawer that uses the Full-extension Hidden Glide (excluding PB, PBC, 2DB)
BRACKET GL BD UNI FG	Left/Right back bracket for any bottom drawer that use the GLIDE FD CC__ (excluding PB, PBC, 2DB)
BRACKET GL PB L FG	Left back bracket for Peninsula Base Full-Extension Hidden Glide
BRACKET GL PB R FG	Right back bracket for Peninsula Base Full-Extension Hidden Glide
BRACKET GL UD RDL FG	Left back bracket for any upper drawer(s) that uses the GLIDE FD CCL__ W/EXT (excluding PB, PBC, 2DB)
BRACKET GL UD RDR FG	Right back bracket for any upper drawer(s) that uses the GLIDE FD CCR__ W/EXT (excluding PB, PBC, 2DB)
BRACKET GL UD UNI FG	Left/Right back bracket for any upper drawer(s) that use the GLIDE FD CC__ (excluding PB, PBC, 2DB)
BRACKET RED DP REAR	Back bracket for reduced depth Side-Mounted Glide
CLIP HD DRB BACK L	Left back bracket for 2 Drawer Base cabinets
CLIP HD DRB BACK R	Right back bracket for 2 Drawer Base cabinets
CLIP DDF	Drawer front clip
CLIP MIRROR MCM FOL	Clip for MCM1530 Full Overlay Mirror door
CLIP MIRROR MCM SOL	Clip for MCM1530 Partial Overlay Mirror door
CLIP MIRROR TRIVIEW	Clip for TV3030/TV3630 Tri-View Mirror door
CLIP REAR SHELF	Middle shelf rest for 39" or wider Wall cabinet shelf
CLIP SHELF NP SPIN	Locking shelf clip for NP Spin Units (Base 4 required, Wall 5 required)
DDF BRACKET FOL	DDF attachment bracket for Abilene DFO, Canyon DFO and Oxridge DFO door styles and FOL Wastebasket cabinets
DDF BRACKET CCAP FOL	Cover cap for DDF attachment bracket for Abilene DFO, Canyon DFO and Oxridge DFO door styles and FOL Wastebasket cabinets
DDF BRACKET SOL	DDF attachment bracket for Carson DFO door styles and POL Wastebasket cabinets
DDF BRACKET CCAP SOL	Cover cap DDF attachment bracket for Carson DFO door styles and POL Wastebasket cabinets
DDF BRACKET FOL OVEN	Oven DDF attachment bracket for Abilene DFO, Canyon DFO and Oxridge DFO door styles
DDF BKT CCAP FOL OVEN	Cover cap oven DDF attachment bracket for Abilene DFO, Canyon DFO and Oxridge DFO door styles
DDF BRACKET SOL OVEN	Oven DDF attachment bracket for Carson DFO door styles
DDF BKT CCAP SOL OVEN	Cover cap oven DDF attachment bracket for Carson DFO door styles
DRB HD MOUNT CLIP L	Left drawer release clip for 2 Drawer Base Cabinets
DRB HD MOUNT CLIP R	Right drawer release clip for 2 Drawer Base Cabinets
DRB WB MOUNT CLIP L	Left drawer release clip for Wastebasket Cabinets
DRB WB MOUNT CLIP R	Right drawer release clip for Wastebasket Cabinets
DRB MOUNT CLIP L FD	Left drawer release clip for Left Full-Extension Hidden Glide
DRB MOUNT CLIP R FD	Right drawer release clip for Left Full-Extension Hidden Glide
DROTFA MOUNT CLIP L	Left release clip for SDROT
DROTFA MOUNT CLIP R	Right release clip for SDROT
MOUNT BRACKET GA SS1	Bracket for Side-Mounted Channels
SHELF SUPT ADJ BASE	Middle shelf rest for 39" or wider Base cabinet shelf
SPACER GL BD FRT FG	Left/Right front drawer clip for bottom drawer on VDB__34H & DB__ cabinets (excluding 2DB)

CLIPS / BRACKETS	
Part Name	Description
SPACER GL KDC FRT FG	Left/Right front drawer clip for KDC
TSFB	Table Skirt corner attachment bracket used to support tabletop/ countertop on an island or peninsula

SCREWS	
Part Name	Description
SCREW BOLT EXT RD FG	Bolt for RD extender
SCREW BRACKET DDF	Screw to attach L bracket to DDF (Abilene DFO & Carson DFO door styles)
SCREW BRACKET DRB	Screw to attach L bracket to DRB (Abilene DFO & Carson DFO door styles)
SCREW CHANNEL	Channel installation screw (1 per channel)
SCREW DDF 1 1/4"	Drawer front installation screw
SCREW DDF 1"	Drawer front installation screw for 5-Piece Drawer Fronts
SCREW DDF SDC	SDC drawer front installation screw (1 per drawer body)
SCREW EXTENDER RD	Screw for RD extender (1 per extender)
SCREW GLIDE FD	Screw that attaches glide brackets to front face frame of cabinet (qty 1 per glide)
SCREW HINGE/DR	Hinge-to-door screw (2 per door)
SCREW HINGE/FR	Hinge-to-frame screw (1 per hinge)
SCREW NUT EXT RD FG	Nut for RD extender
SCREW TRACK	Track installation screw (2 per track)

MISCELLANEOUS SHELVING	
Part Name	Description
BS18 SHELF 1PK	Single Shelf for BS18__
BS18 SHELF 4PK	4 Pack Shelf Kit for BS18__
BS24 SHELF 1PK	Single Shelf for BS24__
BS24 SHELF 4PK	4 Pack Shelf Kit for BS24__
BS30 SHELF 1PK	Single Shelf for BS30__
BS30 SHELF 4PK	4 Pack Shelf Kit for BS30__
BS36 SHELF 1PK	Single Shelf for BS36__
BS36 SHELF 4PK	4 Pack Shelf Kit for BS36__
WCMSC2412 SHELF	Microwave shelf for WCMSC241236 BUTT
WCMSC2712 SHELF	Microwave shelf for WCMSC271236 BUTT
WMSC2712 SHELF	Microwave shelf for WMSC271236 BUTT
WMSC2718 SHELF	Microwave shelf for WMSC271836 BUTT
WMSC3012 SHELF	Microwave shelf for WMSC301236

MISCELLANEOUS PARTS & ACCESSORIES

MISCELLANEOUS	
Part Name	Description
BASE CORNER BLOCK WD	Plywood corner block
BFP3 FRONT FILLER	Filler for BFP3 Base Filler Pull Out
BFP6 FRONT FILLER	Filler for BFP6 Base Filler Pull Out
BPP9 KIT CC	Kit for BPP9 CC Base Pull Out
BPP12 KIT CC	Kit for BPP12 CC Base Pull Out
BPPUS9 KIT CC	Kit for BPPUS9 CC Base Pull Out Utensil Storage
BPPUS12 KIT CC	Kit for BPPUS12 CC Base Pull Out Utensil Storage
BTDP9 KIT CC	Kit for BTDP9 CC Base Tray Divider Pull Out
BTDP12 KIT CC	Kit for BTDP12 CC Base Tray Divider Pull Out
BUMPER CLEAR	Door bumper (Strip of 4 bumpers)
BUMPER CLEAR 55	Door bumper (Strip of 55 bumpers)
BUMPER CLEAR DWR	Drawer bumper (Strip of 4 bumpers)
BUMPER CLEAR DT	Door bumper for Breeze and Drift door styles - Sheet of 4
BUMPER CLEAR DT 55	Door bumper for Breeze and Drift door styles - Sheet of 55
BWBB15 FH FOL KIT	Wastebasket kit for FOL BWBB15 FH
BWBB15 FH SOL KIT	Wastebasket kit for POL BWBB15 FH
BWBB15 FOL KIT	Wastebasket kit for FOL BWBB15
BWBB15 SOL KIT	Wastebasket kit for POL BWBB15
BWBB15-2 FOL KIT	Wastebasket kit for FOL BWBB15-2
BWBB15-2 SOL KIT	Wastebasket kit for POL BWBB15-2
BWBB18 FH FOL KIT	Wastebasket kit for FOL BWBB18 FH
BWBB18 FH SOL KIT	Wastebasket kit for POL BWBB18 FH
BWBB18-2 FOL KIT	Wastebasket kit for FOL BWBB18-2
BWBB18-2 SOL KIT	Wastebasket kit for POL BWBB18-2
BWBB21-2 FH FOL KIT	Wastebasket kit for FOL BWBB21-2 FH
BWBB21-2 FH SOL KIT	Wastebasket kit for POL BWBB21-2 FH
BWBB21-2 FOL KIT	Wastebasket kit for FOL BWBB21-2
BWBB21-2 SOL KIT	Wastebasket kit for POL BWBB21-2
CORNER BRACKET	Plastic corner block
COVER CAP 10MM TAN	Tan cover cap for cabinet backs
COVER CAP 10MM WHT	White cover cap for cabinet backs
DWBB1821 FOL KIT	Wastebasket kit for FOL DWBB1821
DWBB1821 SOL KIT	Wastebasket kit for POL DWBB1821
DWBB1824 FOL KIT	Wastebasket kit for FOL DWBB1824
DWBB1824 SOL KIT	Wastebasket kit for POL DWBB1824
DFDC FILE UNIT 21	File unit for DFDC1821
DFDC FILE UNIT 24	File unit for DFDC1824
FRAME SPACER BPP9	Unit stabilizer and frame spacer for BPP9, BPP12, BTDP9 and BTDP12
KNOB SDC	Wooden knob for SDC/BSDC6
LATCH TILT OUT TRAY	Latch for Factory Installed Tilt-Out Tray
MAG CATCH TV BLK	Black magnetic catch for TV3030/TV3630 Tri-View Mirror
MAG CATCH TV WHT	White magnetic catch for TV3030/TV3630 Tri-View Mirror
MC SHELF HDW	Package of 4 shelf clips for MC/MCM cabinet
MIRROR TV3030	Mirror for TV3030
MIRROR TV3630	Mirror for TV3630
PDO21	Peg Dish Organizer for 21" 2 Drawer Base
PDO24	Peg Dish Organizer for 24" 2 Drawer Base
PDO27	Peg Dish Organizer for 27" 2 Drawer Base
PDO30	Peg Dish Organizer for 30" 2 Drawer Base
PDO33	Peg Dish Organizer for 33" 2 Drawer Base
PDO36	Peg Dish Organizer for 36" 2 Drawer Base
PEG KIT 4 PK	Package of 4 pegs for Peg Dish Organizer
PK36	Pilaster kit for PSK36 Shelf & Pilaster Kit
PULL TRIVIEW	Chrome pull for TV3030/TV3630 Tri-View Mirror
ROT DIVIDER KIT	Divider for CCROTDK12/CCROTDK15
ROT PROTECTOR	End plastic protector on Sliding Shelves and Deep Dovetail Sliding Shelves
SDROT21	Scalloped Deep Sliding Shelf for 21" 2 Drawer Base
SDROT24	Scalloped Deep Sliding Shelf for 24" 2 Drawer Base
SDROT27	Scalloped Deep Sliding Shelf for 27" 2 Drawer Base
SDROT30	Scalloped Deep Sliding Shelf for 30" 2 Drawer Base
SDROT33	Scalloped Deep Sliding Shelf for 33" 2 Drawer Base
SDROT36	Scalloped Deep Sliding Shelf for 36" 2 Drawer Base
TRAY ST TILT OUT 11	Stainless Tray ONLY for Factory Installed Tilt-Out
TRAY ST TILT OUT 14	Stainless Tray ONLY for Factory Installed Tilt-Out

MISCELLANEOUS	
Part Name	Description
TRAY ST TILT OUT 22	Stainless Tray ONLY for Factory Installed Tilt-Out
VWBB1834H FOL KIT	Wastebasket kit for FOL VWBB1834H
VWBB1834H SOL KIT	Wastebasket kit for POL VWBB1834H
WASTEBASKET 27QT SLV	Silver 27 QT Wastebasket
WASTEBASKET 35QT SLV	Silver 35 QT Wastebasket
WASTEBASKET 50QT SLV	Silver 50 QT Wastebasket
WOOD SPIN HOLE PLUG	Plug for Wood Spin shelf
WTH DOOR STAY	One Door Stay for Wall Top Hinge cabinet (qty 2 per door)
WTH DR STAY DR BRK	One Door Bracket for WTH DOOR STAY (qty 2 per door)
WTH DR STAY FR BRK	One Frame bracket for WTH DOOR STAY (qty 2 per door)
WTH HEX KEY BAG	One Hex Key for WTH DOOR STAY

REPLACEMENT PARTS FOR 24" DEEP BASE AND DESK DRAWERS

WITH SIDE-MOUNTED GLIDES

Part Name	Description
DRB__X 21DP SG	Standard small drawer body
DRB__M X 21DP SG	Standard large drawer body
CHANNEL 21L	Left channel for drawer - attaches to cabinet (qty 1 per drawer)
CHANNEL 21R	Right channel for drawer - attaches to cabinet (qty 1 per drawer)
TRACK GA 21L	Left track for drawer - attaches to drawer body (qty 1 per drawer)
TRACK GA 21R	Right track for drawer - attaches to drawer body (qty 1 per drawer)
BRACKET CHAN B	Back bracket for channel - attaches channel to cabinet (qty 2 per drawer)
SCREW CHANNEL	Channel screw - attaches channel to face frame (qty 1 per drawer)
SCREW TRACK	Track screw - attaches track to drawer body (qty 2 per drawer)

WITH CUSHIONCLOSE GLIDES

DRB__X 21DP DT FD	Small drawer body - release clips attached
DRB__M X 21DP DT FD	Large drawer body - release clips attached
GLIDE FD CCL24	Left CushionClose Glide (qty 1 per drawer)
GLIDE FD CCR 24	Right CushionClose Glide (qty 1 per drawer)
BRACKET GL BD UNI FG	Back bracket for any bottom drawer (qty 2 per drawer)
BRACKET GL UD UNI FG	Back bracket for any upper drawer (qty 2 per drawer)
SCREW GLIDE FD	Screw to attach front clip for drawer (qty 2 per drawer)
DRB MOUNT CLIP L FD	Left drawer release clip for drawer glide - included with replacement drawer body (qty 1 per drawer)
DRB MOUNT CLIP R FD	Right drawer release clip for drawer glide - included with replacement drawer body (qty 1 per drawer)
SPACER GL BD FRT FG	Drawer clip for bottom drawer on DB__ cabinets only (qty 2 per drawer)

REPLACEMENT PARTS FOR 21" DEEP VANITY AND DESK DRAWERS

WITH SIDE-MOUNTED GLIDES

Part Name	Description
DRB__X 18DP SG	Small drawer body
DRB__M X 18DP SG	Large drawer body
CHANNEL V L	Left channel for drawer - attaches to cabinet (qty 1 per drawer)
CHANNEL V R	Right channel for drawer - attaches to cabinet (qty 1 per drawer)
TRACK V L	Left track for drawer - attaches to drawer body (qty 1 per drawer)
TRACK V R	Right track for drawer - attaches to drawer body (qty 1 per drawer)
BRACKET CHAN B	Back bracket for channel - attaches channel to cabinet (qty 2 per drawer)
SCREW CHANNEL	Channel screw - attaches channel to face frame (qty 1 per drawer)
SCREW TRACK	Track screw - attaches track to drawer body (qty 2 per drawer)

WITH CUSHIONCLOSE GLIDES

DRB__X 18DP DT FD	Small drawer body - release clips attached
DRB__M X 18DP DT FD	Large drawer body - release clips attached
GLIDE FD CCL VAN21	Left CushionClose Glide (qty 1 per drawer)
GLIDE FD CCR VAN21	Right CushionClose Glide (qty 1 per drawer)
BRACKET GL BD UNI FG	Back bracket for any bottom drawer (qty 2 per drawer)
BRACKET GL UD UNI FG	Back bracket for any upper drawer (qty 2 per drawer)
SCREW GLIDE FD	Screw to attach front clip for drawer (qty 2 per drawer)
DRB MOUNT CLIP L FD	Left drawer release clip for drawer glide - included with replacement drawer body (qty 1 per drawer)
DRB MOUNT CLIP R FD	Right drawer release clip for drawer glide - included with replacement drawer body (qty 1 per drawer)
SPACER GL BD FRT FG	Drawer clip for bottom drawer on VDB__34H cabinets only (qty 2 per drawer)

REPLACEMENT PARTS FOR 18" DEEP VANITY/KNEEHOLE DRAWERS

WITH SIDE-MOUNTED GLIDES (N/A FOR KNEEHOLE DRAWERS)

Part Name	Description
DRB__X 15DP SG	Small drawer body
DRB__M X 15DP SG	Large drawer body
DRBKDC_X 15DP DT SG	Kneehole drawer body
CHANNEL V 18L	Left channel for drawer - attaches to cabinet (qty 1 per drawer)
CHANNEL V 18R	Right channel for drawer - attaches to cabinet (qty 1 per drawer)
TRACK GA 16L	Left track for drawer - attaches to drawer body (qty 1 per drawer)
TRACK GA 16R	Right track for drawer - attaches to drawer body (qty 1 per drawer)
BRACKET CHAN B	Back bracket for channel - attaches channel to cabinet (qty 2 per drawer)
SCREW CHANNEL	Channel screw - attaches channel to face frame (qty 1 per drawer)
SPACER GL BD FRT FG	Drawer clip for bottom drawer on VDB__34H cabinets only (qty 2 per drawer)

WITH CUSHIONCLOSE GLIDES

DRB__X 15DP DT FD	Small drawer body - release clips attached
DRB__M X 15DP DT FD	Large drawer body - release clips attached
DRBKDC_X 15DP DT FD	Kneehole drawer body - release clips attached
GLIDE FD CCL18	Left full-extension hidden glide (qty 1 per drawer)
GLIDE FD CCR 18	Right full-extension hidden glide (qty 1 per drawer)
BRACKET GL BD UNI FG	Back bracket for any bottom drawer (qty 2 per drawer)
BRACKET GL UD UNI FG	Back bracket for any upper drawer (qty 2 per drawer)
SCREW GLIDE FD	Screw to attach front clip for drawer (qty 2 per drawer)
DRB MOUNT CLIP L FD	Left drawer release clip for drawer glide - included with replacement drawer body (qty 1 per drawer)
DRB MOUNT CLIP R FD	Right drawer release clip for drawer glide - included with replacement drawer body (qty 1 per drawer)
SPACER GL KDC FRT FG	Drawer clip for front of KDC glide (2 per drawer)

REPLACEMENT PARTS FOR SLIDING SHELVES, BASE POT & PAN ORGANIZERS AND ROLL-OUT TRAY DIVIDER KITS

WITH FULL DEPTH WITH SIDE-MOUNTED GLIDES

Part Name	Description
SSK_	Sliding Shelf Kit
CHANNEL SS1L	Left channel for sliding shelf - attaches to cabinet (qty 1 per drawer)
CHANNEL SS1R	Right channel for sliding shelf - attaches to cabinet (qty 1 per drawer)
TRACK GA 21L	Left track for sliding shelf - attaches to drawer body (qty 1 per drawer)
TRACK GA 21R	Right track for sliding shelf - attaches to drawer body (qty 1 per drawer)
BRACKET CHAN B	Back bracket for channel - attaches channel to cabinet (qty 2 per drawer)
SCREW CHANNEL	Channel screw - attaches channel to face frame (qty 1 per sliding shelf)
SCREW TRACK	Track screw - attaches track to drawer body (qty 2 per drawer)

WITH FULL DEPTH WITH CUSHIONCLOSE GLIDES

SSK_	Sliding Shelf Kit (ships with ALL installation hardware)
BPPOKCC__	Base Pot & Pan Organizer (ships with ALL installation hardware)
ROTDKCC__	Roll Out Tray Divider (ships with ALL installation hardware)
GLIDE DROTCCCL24	Left CushionClose Glide (qty 1 per sliding shelf)
GLIDE DROTCCR24	Right CushionClose Glide (qty 1 per sliding shelf)
SCREW GLIDE CC	Attachement screws for front brackets (2 per sliding shelf)
BRACKET GL B DROTUNI	Back bracket for drawer glide (qty 2 per sliding shelf)
BRACKETDROT FRT MTL	Front bracket for drawer glide - will ship with attachement screws (qty 2 per sliding shelf)
DROTFA MOUNT CLIP L	Left release clip for sliding shelf
DROTFA MOUNT CLIP R	Right release clip for sliding shelf

REPLACEMENT PARTS FOR WASTEBASKET CABINETS

WITH FULL-EXTENSION GLIDES

Part Name	Description
BWBB___ _OL KIT	Base Bottom Mounted Wastebasket Kit (includes all installation items)
DWBB18___ _OL KIT	Desk Bottom Mounted Wastebasket Kit (includes all installation items)
VWBB1834H _OL KIT	Vanity Bottom Mounted Wastebasket Kit (includes all installation items)
GLIDE WB FAR24	Right Heavy Duty Glide for BWBB___ DWBB1824 (qty 1 per pullout)
GLIDE WB FAL24	Left Heavy Duty Glide for BWBB___ DWBB1824 (qty 1 per pullout)
SCREW GLIDE FD	Screw that attaches glide brackets to front face frame of cabinet (qty 1 per glide)
SCREW TRACK	Screw that attaches the door to the drawer box using "L" brackets (qty 2 per bracket)
SCREW BRACKET DDF	Attaches "L" bracket to drawer front (qty 2 per bracket)
SCREW BRACKET DRB	Attaches "L" bracket to drawer box (qty 2 per bracket)
BRACKET GLIDE WB BOT	Heavy Duty Glide Back Bracket - mounts to cabinet floor (qty 1 per glide)
DDF BRACKET FOL	Metal "L" bracket for FOL door attachment (qty 4 per door)
DDF BRACKET CCAP FOL	Plastic "L" bracket cover cap for DDF BRACKET FOL (qty 1 per bracket)
DDF BRACKET SOL	Metal "L" bracket for POL door attachment (qty 4 per door)
DDF BRACKET CCAP SOL	Plastic "L" bracket cover cap for DDF BRACKET SOL (qty 1 per bracket)
WASTEBASKET 27QT SLV	Silver 27 QT Wastebasket
WASTEBASKET 35QT SLV	Silver 35 QT Wastebasket
WASTEBASKET 50QT SLV	Silver 50 QT Wastebasket

WITH CUSHIONCLOSE GLIDES

BWBB___ _OL KIT	Base Bottom Mounted Wastebasket Kit (includes all installation items)
DWBB18___ _OL KIT	Desk Bottom Mounted Wastebasket Kit (includes all installation items)
VWBB1834H _OL KIT	Vanity Bottom Mounted Wastebasket Kit (includes all installation items)
GLIDE WB CCL24	Cushion Close Heavy Duty Glide for BWBB___ DWBB1824 (qty 1 per pullout)
GLIDE WB CCR24	Cushion Close Heavy Duty Glide for BWBB___ DWBB1824 (qty 1 per pullout)
GLIDE WB CCL21	Cushion Close Heavy Duty Glide for DWBB1821, VWBB1834H (qty 1 per pullout)
GLIDE WB CCR21	Cushion Close Heavy Duty Glide for DWBB1821, VWBB1834H (qty 1 per pullout)
SCREW GLIDE FD	Screw that attaches glide brackets to front face frame of cabinet (qty 1 per glide)
SCREW TRACK	Screw that attaches the door to the drawer box using "L" brackets (qty 2 per bracket)
SCREW BRACKET DDF	Attaches "L" bracket to drawer front (qty 2 per bracket)
SCREW BRACKET DRB	Attaches "L" bracket to drawer box (qty 2 per bracket)
BRACKET GLIDE WB BOT	Heavy Duty Glide Back Bracket - mounts to cabinet floor (qty 1 per glide)
DDF BRACKET FOL	Metal "L" bracket for FOL door attachment (qty 4 per door)
DDF BRACKET CCAP FOL	Plastic "L" bracket cover cap for DDF BRACKET FOL (qty 1 per bracket)
DDF BRACKET SOL	Metal "L" bracket for POL door attachment (qty 4 per door)
DDF BRACKET CCAP SOL	Plastic "L" bracket cover cap for DDF BRACKET SOL (qty 1 per bracket)
WASTEBASKET 27QT SLV	Silver 27 QT Wastebasket
WASTEBASKET 35QT SLV	Silver 35 QT Wastebasket
WASTEBASKET 50QT SLV	Silver 50 QT Wastebasket

REPLACEMENT PARTS FOR TWO DRAWER BASE

WITH STANDARD CUSHIONCLOSE GLIDES

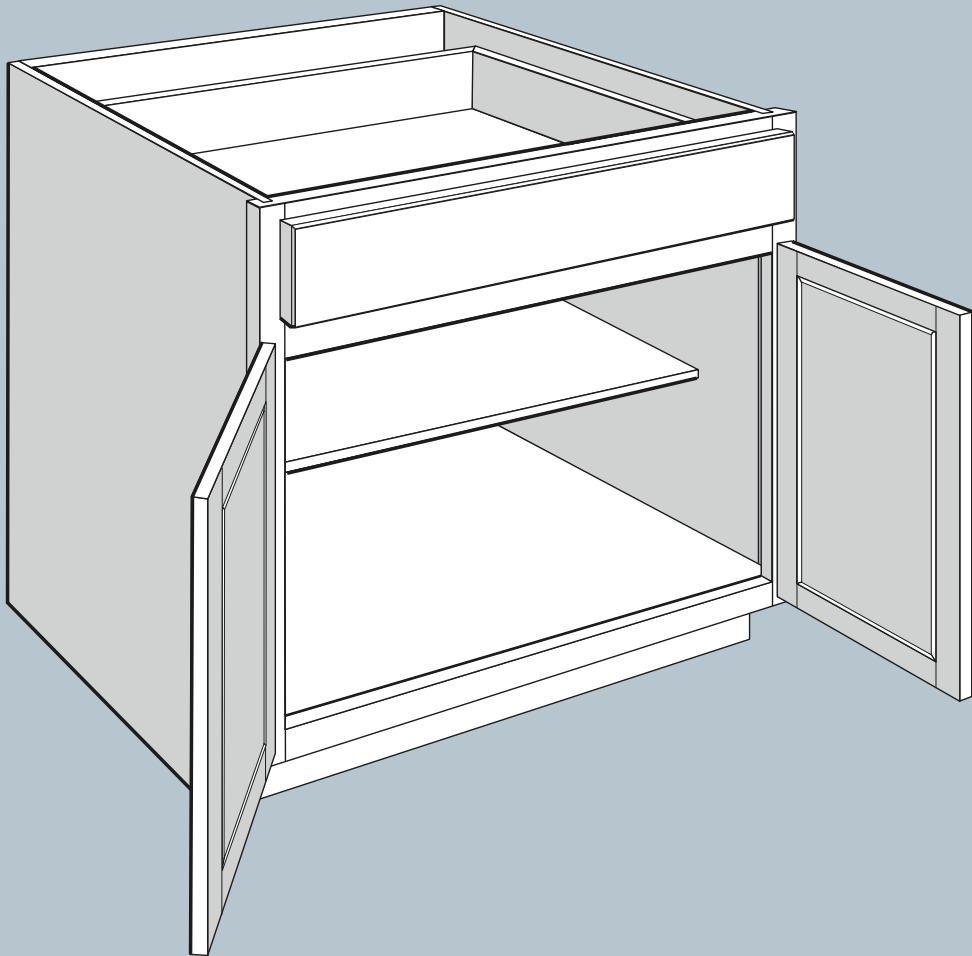
Part Name	Description
DRB___ HD X 21DPDTFD	Drawer body - release clips attached
GLIDE HD CCL24	Left CushionClose Glide (qty 1 per drawer)
GLIDE HD CCR24	Right CushionClose Glide (qty 1 per drawer)
CLIP HD DRB BACK L	Left back bracket for drawer glide (qty 1 per drawer)
CLIP HD DRB BACK R	Right back bracket for drawer glide (qty 1 per drawer)
BRACKET GL HD BOT	Bottom bracket for glide (qty 2 per drawer)
SCREW GLIDE FD	Screw to attach front clip for drawer (qty 2 per drawer)
DRB HD MOUNT CLIP L	Left drawer release clip for drawer glide - included with replacement drawer body (qty 1 per drawer)
DRB HD MOUNT CLIP R	Right drawer release clip for drawer glide - included with replacement drawer body (qty 1 per drawer)

REPLACEMENT PARTS FOR FULL HEIGHT PULL-OUT CABINETS (BTDP/BPP/BPPUS)

WITH STANDARD CUSHIONCLOSE GLIDES

Part Name	Description
BPP___ KIT CC	Kit for BPP___ CC Base Pull-Out (includes all installation items)
BPPUS___ KIT CC	Kit for BPPUS___ CC Base Pull-Out (includes all installation items)
BTDP___ KIT CC	Kit for BTDP___ CC Base Tray Divider Pull-Out (includes all installation items)
GLIDE FD CCL24	Left CushionClose Glide (qty 1 per pull-out)
GLIDE FD CCR 24	Right CushionClose Glide (qty 1 per pull-out)
LOCKING CLIP L	Left release clip used on 9" pull-out units (qty 1 per pull-out)
LOCKING CLIP R	Right release clip used on 9" pull-out units (qty 1 per pull-out)
DRB MOUNT CLIP L FD	Left release clip used on 12" pull-out units (qty 1 per pull-out)
DRB MOUNT CLIP R FD	Right release clip used on 12" pull-out units (qty 1 per pull-out)

INDEX



	Code	Page
1/2" Panel	WFP__	187
3-Sided Stock	S3S__	167
4-Sided Stock	S4S__	167
A		
Accent Turned Foot	ATF	179
Adaptable Sink Base Kit	ASB__ KIT	119
Adjustable Drawer Divider Insert Kit	ADDIK__ /ADIK__	124
Adjustable Shelf Kit	S/SK__	162
All Plywood Construction Option	APC	54
Angle Crown Molding	ACM8	164
Angle Crown Molding	ACM8 DT	164
Angled Corbel	AS12__	175
Angled Outside Corner Molding	AOSC8	168
Aria Foot	ARDF	178
Aria Leg	ARDL	178
Asymmetrical Base Easy Reach	BER__	109
Asymmetrical Base Super Susan with Wood Spin Units	BSS__ WD	110
B		
Base Bookshelf	BS2434	133
Base Cabinet, 1 Factory Installed Wastebasket	BWBB15	95
Base Cabinet, 2 Factory Installed Wastebaskets	BWBB__-2	95
Base Cabinet Construction	-	41
Base Cabinet Decorator Matching Doors	DMDB	190
Base Cabinet Dimensions	-	42
Base Cabinet, Standard with 2 Butt Doors	B__	97
Base Cabinet, Standard with Center Stile	B__	99
Base Cabinet, Standard with One Door	B__	94
Base Cabinet Tray Divider Pull-Out	BTDP__ CC	101
Base Cabinet, with 2 Butt Doors and Sliding Shelves	B__ SS__	97
Base Cabinet with 2 Doors Factory Installed Drawer Organizers	B__ BUTT__	98
Base Cabinet, with Center Stile and Sliding Shelves	B__ SS__	99
Base Cabinet with Factory Installed Drawer Organizers	B__	96
Base Cabinet with Factory Installed Roll-Out Tray Divider	B__ CCROTD	94
Base Cabinet, with One Door and Sliding Shelves	B__ SS__	94
Base Column Filler	BPC32734	196
Base Corner Filler	BCF27	193
Base Easy Reach	BER__	109
Base End Angle	BEA__ FH	121
Base Filler Pull-Out	BFP3CC	122
Base Locking Shelf Rest	-	45
Base Microwave Cabinet	BMC__	122
Base Mixer Lift Kit	BMLK18	126
Base Oven Cabinet Universal	BOCU__	122
Base Pantry Pull-Out	BPP__ CC	102
Base Plumbing Skirt	BPS__ UD	118
Base Pot & Pan Organizer Kit	BPPOKCC__	125
Base Spice Drawer Cabinet	BSDC6	120
Base Square Foot	BSQF	179
Base Square Leg	BSQL	179
Base Super Susan with Wood Spin Units	BSS__ WD	110
Base Tapered Leg	BTPL	179
Base Toe Kick	BTK8	197
Base Turned Leg	BTL	179
Base Utensil Storage Pull-Out	BPPUCC__ CC	101

	Code	Page
Base Wine Rack Cabinet	BWRC6	121
Batten Molding	BM8	168
Batten Molding	BM8 DT	168
Batten Molding - Builder	BM8 BLD	169
Blind Base Pull Out Kit	BLBPOK45	126
Blind Base Swing Out Kit	BLBSOK45_	127
Blind Corner Base	BLB__	112
Blind Corner Base Installation Chart	-	114
Blind Corner Closure	BLC__	90
Blind Corner Closure	BLC1515	128
Blind Peninsula Corner Base	PBC__	108
Blind Wall Cabinet	BLW__	76
Blind Wall Cabinet Dimensions	-	77
Blind Wall Cabinet Installation Chart	-	77
Box Range Hood, Artisan	RH__ A	84
Box Range Hood, Modern Box	RH__ MB	84
Box Range Hood, Shiplap Box	RH__ SB	84
Box Range Hood, Sloped	RH__ SL	84
Built-In Microwave Cabinet	BBMC__	123
C		
Cabinet Angle Molding	CAM8	168
Cabinet Care	-	38
Cabinet Front Only Option	CFO	58
Cabinet Specifications	-	37
Cabinet Tray Divider	TD3	128
Ceiling Height Requirements	-	48
Certification	-	36
Chair Rail Molding	CR8	165
Chantilly Decorative Foot	CDF	180
Chantilly Decorative Leg	CDL	180
Chantilly Furniture Leg	CFL	180
Classic Baseboard Molding	CLBM8	166
Classic Trim Molding	CLTM8	166
Cleaning Caddy Pullout Kit	CCPOK	127
Cleat	HWC__	198
Construction Comparison Chart	-	55
Construction Option Examples	-	52
Construction Option Legend	-	52
Contact Information	-	4
Contemporary Trim Molding	CTM8	164
Contemporary Trim Molding	CTM8 DT	164
Corner Appliance Garage	AG__	82
Corner Base Carousel	CAR	111
Corner Base with Plastic Spin Shelves	CBS36	111
Corner Base with Wood Spin Units	CBS36 WD	111
Corner Sink Base	CSB36	115
Corner Sink Front	CSF__	120
Corner Wall Cabinets	CW__	78
Corner Wall with Appliance Garage	CW2448	79
Corner Wall with Appliance Garage, Spin Units	CWDS2448	80
Cover Caps	COVER CAP	198
Crown Molding - Builder	CM8 BLD	169
Crown Molding	CM8	164
Curved Corbel	CS12__	175
CushionClose Deep Dovetail Sliding Shelf Option	CCSS	56

	Code	Page
CushionClose Glide Option	CCDW	56
CushionClose Hinge Option	CCH	56
Cutlery Divider Kit	CDAK__	123
D		
Decorative Cove Molding	DCVM8	164
Decorative Glass Clips	CLIP DGI __	69
Decorative Hardware	-	201
Decorative Inside Corner Molding	ICM8	168
Decorative Island Panel Kit	DIPK__34 _	189
Decorative Island Side	DIS__34 _	188
Decorative Mantel Range Hood	WRH__DM	83
Decorative Trim Molding	DCTM8	164
Decorator Matching Doors	DMDBEA12	190
Deep Sink/Range Base Cabinet	DSB__	115
Delivery Services	-	6
Desk Cabinet Decorator Matching Doors	DMDD__	190
Desk Cabinet Dimensions	-	43
Desk Cabinet with Wastebasket Pull-Out, 21" Deep	DWBB1821	130
Desk Cabinet with Wastebasket Pull-Out, 24" Deep	DWBB1824	130
Desk Door Cabinet, 21" Deep	DDO__21	130
Desk Door Cabinet, 24" Deep	DDO__24	130
Desk Drawer Cabinet, 21" Deep	DDR__21	131
Desk Drawer Cabinet, 24" Deep	DDR__24	131
Desk End Panel	DEP	134, 160, 184
Desk File Pull-Out Cabinet, 21" Deep	DFDC1821	131
Desk File Pull-Out Cabinet, 24" Deep	DFDC1824	131
Dishwasher Return	DWR3	184
Door Style Collections	-	9
Door Style Collections, Choice	-	30
Door Style Collections, Elite	-	10
Door Style Collections, Premium	-	16
Door Style Collections, Prime	-	24
Double Oven Cabinet, No Drawer	OVD__ BUTT NDWR	148
Drawer Base Cabinet, 3 Drawers	DB__	105
Drawer Base Cabinet, 4 Drawers	DB__ 4DWR	105
Drawer Base Cabinet Dimensions	-	43
Drawer Upgrades	-	56
Drawer Work Surface	DWS21	125
Dummy Drawer Front Fastener	DDF FASTENER	198
E		
Edge Banding	EDGE BAND__	200
Era Foot	ERDF	178
Era Leg	ERDL	178
F		
Filler, Plain Box	WPB__	85
Finished Shelf	FS__	90
Finishing System Specifications	-	38
Floating Shelf	FLSH__	90, 134
Fluted Beaded Filler Extension	FBF E3__	193
Fluted Beaded Filler	FBF__	193
Full Depth Shelf Option	FDS	60
Full-Height Base Cabinet, 1 Factory Installed Wastebasket	BWBB15 FH	102
Full-Height Base Cabinet, 2 Butt Doors	B__ FH	102

	Code	Page
Full-Height Base Cabinet, 2 Factory Installed Wastebaskets	BWBB21-2 FH	102
Full-Height Base Cabinet, One Door	TB9/B__ FH	100
Full-Height Base Cabinet with Tray Divider and Shelf	TB9 TDS	100
Full-Height Base with 2 Butt Doors and Sliding Shelves	B__ FH SS__	103
Full-Height Base with One Door and Sliding Shelves	B__ FH SS__	101
Full-Height Blind Corner Base	BLB__ FH	112
Full-Height Blind Corner Base with Accessories	BLB___ FH ___	113
Full-Height Peninsula Base	PB__ FH	107
Furniture Drawer Cabinet	FD__	103, 131, 160
Furniture Ends Option	FE	55
G		
Glass Insert	DGI__	68
Glass Shelf Kit	GSK__	91
Grooved End Panel	_EP__ GROOVED	186
H		
Hardware Specifications		45
Hinge Restriction Clip	HINGE CC ANG RES CLP	198
Hinges		45
I		
Increased Depth Option	ID	58
Inset Light Rail Molding	ILR8	166
Inside Corner Molding - Builder	QM8 BLD	169
Inside Corner Molding	QM8	168
Inside Corner Molding	QM8 DT	168
Installation Guidelines	-	46
Inverted Frame Option	IF	58
K		
Kneehole Drawer Cabinet	KDC__	132, 160
Knife Block Drawer Insert Kit	KBDIK__	124
L		
Large Classic Corbel	CLC212	175
Large Cove Molding	LCVM8	164
Large Cove Molding	LCVM8 DT	164
Large Crown Molding - Builder	LCM8 BLD	169
Large Crown Molding	LCM8	164
Large Era Corbel	ERC312	176
Large Narrow Cove Corbel	CC212	176
Large Prairie Corbel	PC312	176
Large Rosette Corbel	RC313	177
Library Light Rail Molding	LBM8	165
M		
Matching Interior Option	MI	61
Medicine Cabinet	MC/MCM__	159
Medium Cove Corbel	CC49	176
Medium Narrow Cove Corbel	CC29	176
Medium Prairie Corbel	PC49	176
Metal Cove Corbel	METAL COVE 212__	177
Metal Emerson Corbel	METAL EMERSON 27__	177
Metal Shelf Rest	-	45

	Code	Page
Microwave Wall	WMC__	75
Mirror Molding	MM8	165
Molding & Decorative Accents	-	163
Mullion Frame Door Profiles	MFD	66
Mullion Shelf Rest	-	45
O		
Ogee Molding	OGE8	165
Ogee Pilaster Molding	OGP8	166
Open Frame Door Profiles	OFD	65
Order Replacement Procedure	-	5
Outside Corner Molding - Builder	OCM8 BLD	169
Outside Corner Molding	OTCM8	168
Outside Corner Molding	OTCM8 DT	168
Oven Cabinet, Single	OVS__	139
Overlay Dimensions	-	49
Overlay Filler	_OF__	194
Overlay Filler Profiles		195
P		
Panels, Fillers & Installation Items	-	183
Parker Decorative Foot	PDF	180
Parker Decorative	PDL	180
Parker Furniture Leg	PFL	180
Pedestal Drawer Cabinet	PD__	103
Peninsula Base Cabinet	PB__	107
Plain Box Filler	WPB__	196
Plywood Ends Option	PE	54
Plywood Panel	WP__	187
Pot and Pan Organizer Cabinet, One Door	B__ CCBPPO	95
Pot & Pan Organizer Cabinet, 2 Butt Doors	B__ CCBPPO	97
Premium Finish Cabinet Option	-	53
Putty Stick	PUTTY STICK	200
Q		
Quarter Round Molding	QR8	168
R		
Range Hood, Artisan	RH__ AWM	84
Range Hood Blower	RHVENT__	86
Range Hood Chimney, Plain	RHC__	85
Range Hood, Classic Tapered	RH__ CT	83
Range Hood Liner, Straight Valance	RHLINER__ S	88
Range Hood Liner, Tapered	RHLINER__	88
Range Hood, Modern Box	RH__ MB	84
Range Hood, Raised Panel	RH__ RP	85
Range Hood, Shiplap Box	RH__ SB	84
Range Hood, Sloped	RH__ SLWM	84
Range Hood, Straight Valance	RH__ SV	85
Recessed Toe Kick Option	RTK	59
Reduced Depth Option	RD	57
Refrigerator Return Panel	RR__	185
Replacement Policy	-	7
Roll-Out Tray Divider Kit	ROTDKCC__	126

	Code	Page
S		
Screws, Installation	SCREW	198
Scribe Molding - Builder	SM8 BLD	169
Scribe Molding	SM8	168
Scribe Molding	SM8 DT	168
Scribe Molding	SM10	168
Service Policy	-	5
Shaker Accent Molding	SAM	167
Shaker Chair Rail Molding	SQCR8	165
Shaker Insert Molding	SIM8	165
Shaker Mirror Molding	SMM8	165
Shelf, Adjustable	S/SK__	162
Shelf End Wall, Round Top and Bottom	SEW__	82
Shelf End Wall, Square Top and Bottom	SEW__ SQTB	82
Shelf End Wall, Square Top and Round Bottom	SEW__ SQT	82
Shelf, Floating	FLSH__	90, 134
Shelf Rests	SHELF REST	197
Shoe Molding - Builder	SHM8 BLD	169
Shoe Molding	SHM8__	168
Side-Mounted Drawer Glides	-	45
Single Bead Accent Molding	SBAM8	167
Single Bead Insert Molding	SBIM8	165
Single Bead Molding	SBM8	167
Single Oven Cabinet, with 2 Butt Doors, 2 Large Drawers	OVS__ BUTT 2DDWR	145
Single Oven Cabinet, with 2 Butt Doors, 3 Drawers	OVS__ BUTT 3DWR	146
Single Oven Cabinet, with 2 Butt Doors, 4 Drawers	OVS__ BUTT 4DWR	147
Single Oven Cabinet, with 4 Butt Doors, 1 Drawer	OVS__ BUTT 1DWR	141
Single Oven Cabinet, with 4 Butt Doors, 1 Drawer & Pot & Pan Organizer	OVS__ BUTT 1DWR CCBPPO	142
Single Oven Cabinet, with 4 Butt Doors, 2 Drawers	OVS__ BUTT 2DWR	143
Single Oven Cabinet, with 4 Butt Doors, 2 Drawers, Pot & Pan Organizer	OVS__ BUTT 2DWR CCBPPO	144
Single Oven Cabinet, with Base Pot & Pan Organizer	OVS__ BUTT CCBPPO	140
Sink Base Door Storage Unit	SBDSU__	128
Sink Base Mat	SBMAT__	127
Sink Base Multi-Storage Cabinet	SBMSC__ BUTT STO	118
Sink Base Multi-Storage Shelf	SBMSS	127
Sink Base with One Factory Installed Tilt-Out Tray(s)	SB__ STO	117
Sink Base with Two Factory Installed Tilt-Out Tray(s)	SB__ STO	117
Sink/Cooktop Base Cabinet	SB__	116
Sink/Cooktop Front	SF__	119
Sink/Vanity Front Floor	FL__	185
Sink/Vanity Front Return	SFR	185
Sliding Shelf 4-Pack Kit	USS__ 4K	150
Sliding Shelf 4-Pack Kit	USS__ 4K	162
Sliding Shelf Kit	SSK__	124, 133, 150, 162
Small Classic Corbel	CLC29	175
Small Cove Molding	SCVM8	164
Small Cove Molding	SCVM8 DT	164
Small Era Corbel	ERC49	176
Small Prairie Corbel	PC36	176
Small Single Bead Molding	SSBM8	167
Small Traditional Light Rail Molding	STLR8	166
Soffit Crown Molding	SCM8	164
Specialty Door Options	-	63
Spice Drawer Cabinet	SDC__	81
Spice Drawer Insert Kit	SDIAK__	124
Spice Rack Kit	SRK__	89

	Code	Page
Split Post	SPLT POST80 P	181
Spray Stain	SPRAY STAIN	199
Square Inset Light Rail Molding	SQILR8	166
Stain	STAIN	199
Standard Cabinet Specifications	-	35
Starter Molding	STRM8	167
Stem Glass Holder	SGH36U	89
Storage Cube	SC__	80, 132
Straight Appliance Garage	AGS__	82
Straight Trim Molding	UM8	168

T

Table Skirting Furniture Bracket	TSFB	197
Tall Bookshelves	BS__	132
Tall Cabinet Decorator Matching Doors	DMDT__	191
Tall Cabinet Dimensions	-	44
Tall Cabinets	-	135
Tall Column Filler	TPC327__	196
Tapered Foot	TPF	179
Textured Base Toe Kick	BTK8 DT	197
Textured Duraform End Panel	_EP__DT	186
Textured Finished Shelf	FS__	90
Textured Overlay Filler	_OF__ DT	194
Textured Plywood Panel	WP__ DT	187
Textured Universal Filler	S3S__ DT	192
Textured Wood Tall End Panel	WWEP__ DT, WBEP__ DT, DWTEP__ DT	187
Tilt-Out Tray Kit	STO TRAY__	161
Tilt-Out Tray Kit	TO/STO TRAY__	128
Touch Up Kit	TOUCHUP KIT	199
Touchup Marker	TU MARKER	200
Traditional Classic Crown Molding	TCCM8	164
Traditional Split Block	SPLT BLOCK26	181
Tri-View Mirror	TV__	160
Two Drawer Base Cabinet	DB__ 2DWR	104

U

Universal Filler Extension	UF E3__	192
Universal Filler	UF__	192
Utility Cabinet, 12" Deep	UT__ 12 X __	136
Utility Cabinet, 12" Deep, with Adjustable Shelves	UT__ 12 X __ AS	137
Utility Cabinet, 24" Deep	UT__ 24 X __	136
Utility Cabinet, 24" Deep, with Adjustable Shelves	UT__ 24 X __ AS	137
Utility Cabinet, 24" Deep, with Sliding Shelves	UT__ 24 X __ 4SSK	138

V

Valances	V__	173
Valet Cabinet	VC2436 BUTT	159
Vanity Adaptable Sink Base Kit	ASB__32 KIT	159
Vanity Base Cabinet with Wastebasket Pull-Out, 34 1/2" High	VWBB1834H	152
Vanity Base, One Door	VB__	152
Vanity Base, Two Butt Doors	VB__ BUTT	152
Vanity Base with Full-Height Door, 34 1/2" High	VB__ 34H FH	153
Vanity Cabinet Decorator Matching Doors	DMDV	191
Vanity Cabinet Dimensions	-	43
Vanity Cabinets	-	151
Vanity Combo Sink Base, 31 1/8" High	VSDB__	157
Vanity Combo Sink Base, 34 1/2" High	VSDB3934H BK	157

	Code	Page
Vanity Drawer Base, 31 1/8" High	VDB__	153
Vanity Drawer Base, 34 1/2" High	VDB__34H	153
Vanity Linen Cabinet	VLC__	161
Vanity Linen Cabinet, with Adjustable Shelves	VLC__ AS	161
Vanity Linen Cabinet, with Sliding Shelves	VLC__ 4SSK	162
Vanity Plumbing Skirt	VPS__ UD	158
Vanity Sink Base, 34 1/2" High	VSB/VAN__34H	154
Void Door Option	VDO__	62
Void Top Drawer Option	VTD	62

W

Wall Bookshelves	BS__	133
Wall Cabinet Construction	-	40
Wall Cabinet Decorator Matching Doors	DMDW__	191
Wall Cabinet Dimensions	-	42
Wall Cabinet, Standard	W__	72
Wall Cabinet with Spice Rack	W__ SR	74
Wall Column Filler	WPC315__	196
Wall Easy Reach	WER__	79
Wall End Angle Cabinet	WEA12__	80
Wall Microwave Cabinet, with Shelf	WMSC__	75
Wall Range Hood, Classic Tapered	WRH__ CT	83
Wall Range Hood, Decorative Mantle	WRH__ DM	83
Wall Range Hood, Raised Panel	WRH__ RP	83
Wall Range Hood, Straight Valance	WRH__ SV	83
Wall Top Hinge Cabinet	WTH__	74
Warranty	-	8
Wide Batten Molding	WBM8	168
Wine Rack Cabinet	WRC__	81
Wine Rack	WR36	89
Wine Storage Cabinet	WSC__	81
Wood End Panel	_EP__	186
Wood Species & Materials Specification	-	39
Wood Tall End Panel	WTEP__	187
Wood Tiered Cutlery Divider Kit	WTCDKFD__	123



Our Commitment to Excellence

1951 isn't just the year we started our business; it's the year we committed to exceeding expectations. Since then, every cabinet we've crafted has been thoughtfully designed to stand the test of time and elevate the style of your home. With durability in mind, our cabinets are designed to withstand the rigors of everyday life while reflecting your unique taste. Plus, with our limited lifetime warranty, you can enjoy lasting beauty and peace of mind, knowing your investment is protected for years to come.



Craftsmanship in Every Detail

Every cabinet is constructed with the utmost precision. Each component is pressure-fitted, glued, and stapled. Kiln-dried face frames are fabricated from solid hardwood and designed to resist warping. Half-inch furniture board corner blocks enhance the cabinets' structural integrity. Our construction methods meet and exceed the meticulous standards established by the American National Standards Institute.



1951TM

Cabinetry

Questions?

Contact the Partner Team.

We are here for you.

1-877-957-7278

Monday – Friday 8:00 AM – 7:00 PM EST

P.O. Box 1980

Winchester, Virginia 22604

www.1951Cabinetry.com



Photography is for illustration purposes only. Actual colors may vary slightly due to the printing process. For actual color selections, please consult your 1951 Cabinetry representative. Every effort was made to ensure accuracy of the information contained herein at the time of printing; however, 1951 Cabinetry makes no representations to such accuracies. If you would like further clarification about any of our products or processes, please call the 1951 Cabinetry Partner Team.

51 SPEC GUIDE 3-25 ©2025 American Woodmark Corporation® and 1951 Cabinetry™ are registered trademarks of the American Woodmark Corporation.