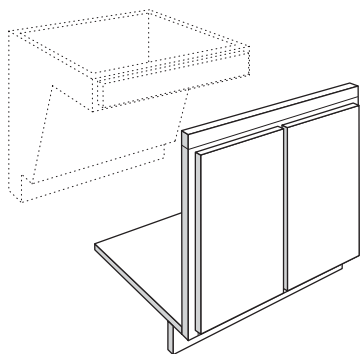


THESE INSTRUCTIONS SHOULD NOT BE FAXED OR REPRODUCED ON A DIGITAL COPIER. AMERICAN WOODMARK CORPORATION PROVIDES THESE INSTRUCTIONS ON AN "AS IS" BASIS AND DISCLAIMS ANY AND ALL LIABILITY FOR ANY INACCURACIES, OMISSIONS OR TYPOGRAPHICAL ERRORS CAUSED BY ANY THIRD PARTY'S EQUIPMENT. When you use these instructions, you are consenting to be bound by the provisions in this paragraph. These instructions provide an illustrative method for installing American Woodmark Corporation ("AWC") cabinets and/or accessories. AWC's instructions are not intended to address every possible contingency that might be encountered during installation or to endorse the use of any particular tools. AWC HEREBY EXPRESSLY DISCLAIMS ALL LIABILITY FOR ANY CLAIMS FOR INJURY OR DEATH RELATED TO OR BASED UPON THE USE OF THESE INSTALLATION INSTRUCTIONS AND ANY INSTALLATION INSTRUCTIONS OTHERWISE PROVIDED BY AWC.

Installation Instructions

Read carefully before you begin installation

Adaptable Sink Base Kit



Use this kit to install the Adaptable Sink Base Kit.

Fits

Kit fits BPS/VPS and BPS34 cabinets.

Contents

- 1-S3S396
- 1-HWC2x4x96
- FL36
- 2-MALE DDF FASTENERS
- 2-FEMALE DDF FASTENERS
- One of dependent on model ordered:
 - 1-W3024 BUTT CFO
 - 1-W3624 BUTT CFO
 - 1-W3021 BUTT CFO
 - 1-W3621 BUTT CFO

Tools Needed

- Phillips Screwdriver
- Tape Measure
- Table Saw
- Miter Saw (Chop Saw)
- 3/32" Drill Bits for Frame & Filler Attachment Pilot Holes
- #8 x 2 1/2" Trim Head Screws (for frame attachment)
- #8 x 1 1/4" Trim Head Screws (for cleat attachment)
- Air/Power Nail Gun (optional attachment method instead of screws)
- Drill
- Safety Glasses

Procedure

- 1 Trim S3S width to either 30" or 36" depending on the BPS/VPS currently installed. Then, rip it to height based on the chart below (Fig. 1):

BPS	TOE KICK HEIGHT	FACE FRAME HEIGHT	S3S	KIT
32 1/2"	2"	24 1/2"	1 3/16"	ASB_34 KIT
34 1/2"	4"	20 5/8"	2 1/16"	ASB_32 KIT
34 1/2"	4"	24 1/2"	1 3/16"	ASB_34 KIT

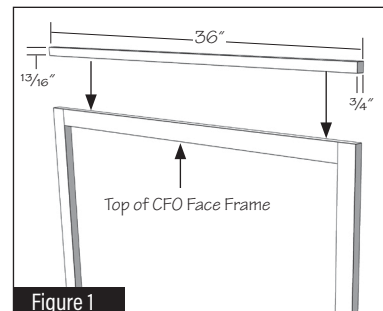


Figure 1

- 2 Remove doors from the CFO Face Frame and attach trimmed S3S to its top using nails or screws. (Fig. 1)

- 3 Cut remaining S3S into two 1"x 20" x 3/4" cleats and attach them to the back side of the adjacent cabinet "Face Frame lips". (Fig. 2)

A. 24" tall CFO: set top of filler 2.5" from bottom of BPS/VPS Face Frame

B. 21" tall CFO: set top of filler 1" from bottom of BPS/VPS Face Frame

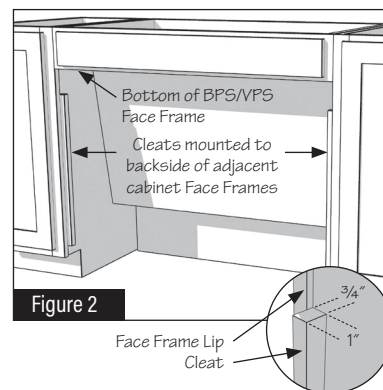


Figure 2

- 4 Attach male side of DDF FASTENERS to cleats positioning them 3" and 16" down from the bottom of the BPS/VPS Face Frame. (Fig. 3)

- 5 Using the HWC2x4x96 create floor supports following the chart below for your specific cabinet width and toe kick height (Fig. 4):

CAB WIDTH	TOE KICK HEIGHT	FLOOR SUPPORT DIMS. (WxHxD)
30"	2"	28 x 3 x 1 1/2"
	4"	28 x 4 1/4 x 1 1/2"
36"	2"	34 x 3 x 1 1/2"
	4"	24 x 4 1/4 x 1 1/2"

*For 4" Toe Kick heights, trim two pieces of the S3S to your cabinet width x 3/4 x 1 3/8" and attach it to the top of HWC to create 4 1/4" total height.

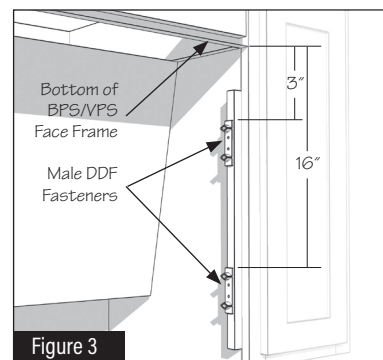


Figure 3

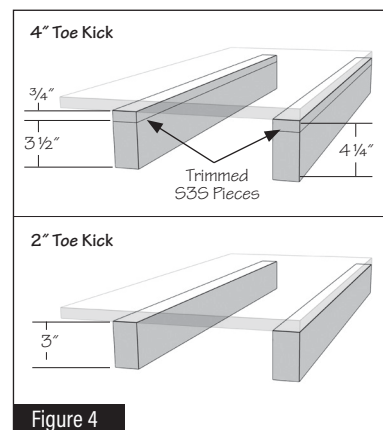


Figure 4

Adaptable Sink Base Kit

6 Rip FL36 to specifications below and attach one floor support flush to the back edge and the other 2 3/4" from the front edge (Fig. 5). Then, place it into the opening pushing back against the BPS/VPS toe kick area (Fig. 6):

A. 30" wide BPS/VPS: 30 1/2 x 17"

B. 36" wide BPS/VPS: standard factory width x 17"

7 Attach female side of DDF FASTENERS to back of ASB Face Frame positioning them 3" and 16" down from the top of the S3S filler installed in Step 1 (Fig. 7). Ensure that the ASB Face Frame assembly mounts flush to the bottom of the BPS Face Frame (Fig. 8).

8 Reattach doors to ASB Face Frame.

9 Attach decorative color match toe kick putting seams at either side of the BPS/VPS to allow removal of the floor and Face Frame with doors without impacting adjacent cabinet toe kick. (Fig. 9)

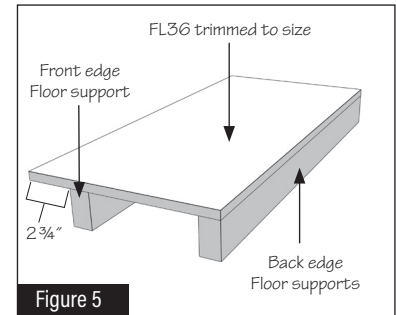


Figure 5

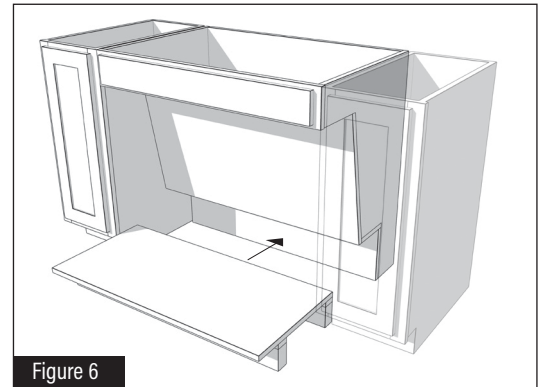


Figure 6

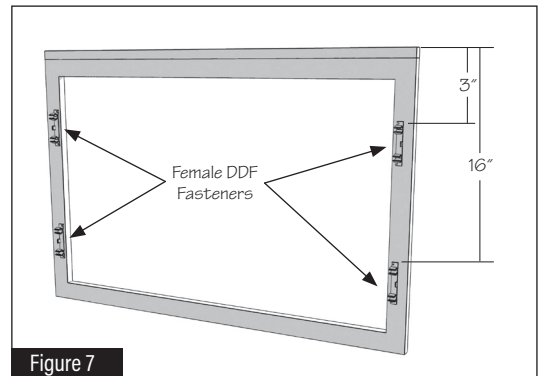


Figure 7

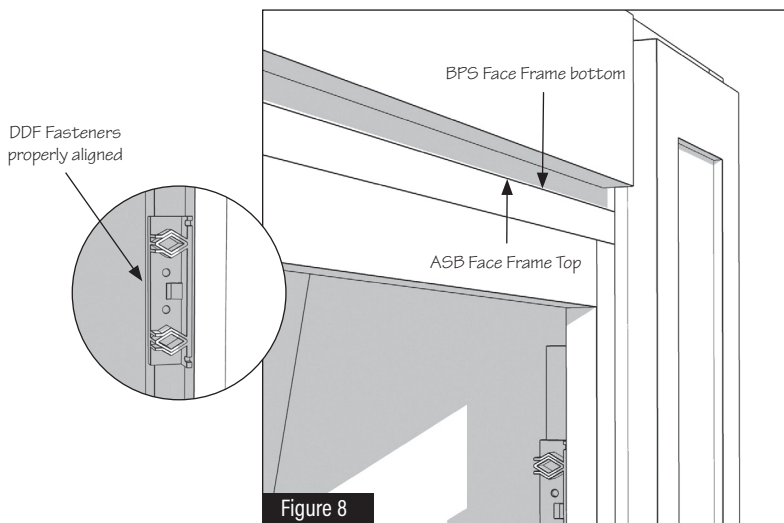


Figure 8

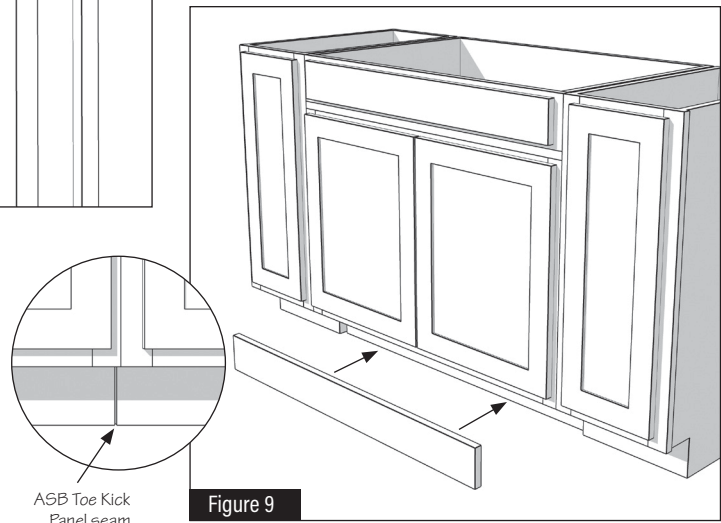


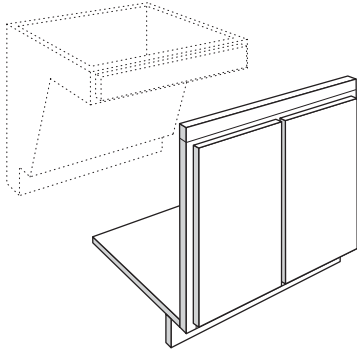
Figure 9

ASB Toe Kick Panel seam

Instrucciones de instalación

Lea las instrucciones cuidadosamente antes de comenzar la instalación.

Kit de base de fregadero adaptable



Utilice este kit para instalar el kit de base de fregadero adaptable.

Compatible con

El kit se adapta a los gabinetes BPS/VPS y BPS34.

Contenido

- 1-S3S396
- 1-HWC2x4x96
- FL36
- 2 SUJETADORES DDF MACHO
- 2 SUJETADORES DDF HEMBRA
- Depende del modelo solicitado:
 - 1-W3024 BUTT CFO
 - 1-W3624 BUTT CFO
 - 1-W3021 BUTT CFO
 - 1-W3621 BUTT CFO

Herramientas necesarias

- Destornillador Phillips
- Cinta métrica
- Sierra de mesa
- Sierra ingletadora (sierra de corte)
- Broca para taladro de 2.38 mm para taladrar los orificios de prueba de instalación de marco y relleno
- Tornillos de cabeza estrecha #8 x 6.35 cm (para colocar el marco)
- Tornillos de cabeza estrecha #8 x 3.17 cm (para colocar el listón)
- Pistola de clavos de aire/eléctrica (método de colocación opcional en lugar de tornillos)
- Taladro
- Gafas de seguridad

Procedimiento

- 1 Recorte el ancho de S3S a 76.2 cm o 91.44 cm según el BPS/VPS instalado actualmente. Luego, córtelo a la altura indicada en la tabla siguiente (Fig. 1):

BPS	ALTURA DEL RODAPIÉ	ALTURA DEL MARCO FRONTAL	S3S	KIT
82.55 cm	5.08 cm	62.23 cm	20.63 mm	ASB_34 KIT
	10.16 cm	52.38 cm	6.82 cm	ASB_32 KIT
87.63 cm	10.16 cm	62.23 cm	20.63 mm	ASB_34 KIT

- 2 Retire las puertas del marco frontal CFO y fije S3S recortado a su parte superior con clavos o tornillos. (Fig. 1)

- 3 Corte S3S restante en dos listones de 2.54 cm x 50.8 cm x 19.05 mm y fíjelos a la parte posterior del gabinete adyacente "Bordes del marco frontal". (Fig. 2)

A. CFO de 60.96 cm de alto: coloque la parte superior del relleno a 6.35 cm de la parte inferior del marco frontal BPS/VPS

B. CFO de 53.34 cm de alto: coloque la parte superior del relleno a 6.35 cm de la parte inferior del marco frontal BPS/VPS

- 4 Fije el lado macho de los SUJETADORES DDF a los listones colocándolos a 7.62 cm y 40.64 cm hacia abajo desde la parte inferior del marco frontal BPS/VPS. (Fig. 3)

- 5 Usando HWC2x4x96, cree soportes para el piso siguiendo la tabla a continuación para el ancho específico de su gabinete y la altura del rodapié (Fig. 4):

ANCHO DEL GABINETE	ALTURA DEL RODAPIÉ	DIMENSIONES DEL SOPORTE PARA PISO (AN. X ALT. X P.)
76.2 cm	5,08 cm (2")	71.12 cm x 7.62 cm x 3.81 cm
	10.16 cm *	71.12 cm x 10.79 cm x 3.81 cm
91.44 cm	5,08 cm (2")	86.36 cm x 7.62 cm x 3.81 cm
	10.16 cm *	86.36 cm x 10.79 cm x 3.81 cm

*Para alturas de rodapié de 10.16 cm, recorte dos piezas de S3S al ancho del gabinete x 19.05 mm x 3.49 cm y conéctelo a la parte superior de HWC para crear una altura total de 10.79 cm.

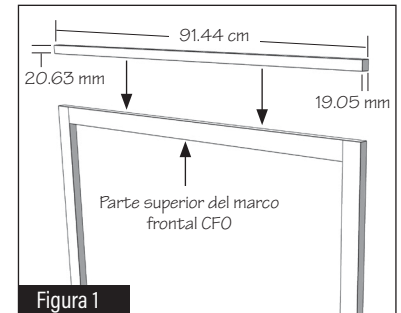


Figura 1

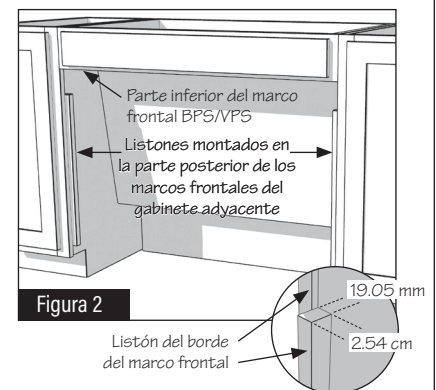


Figura 2

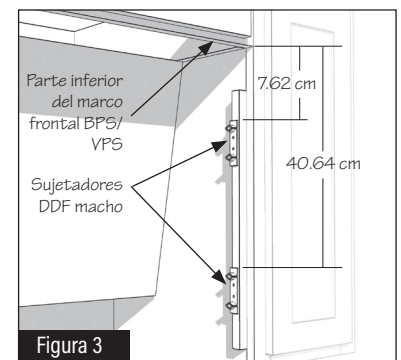


Figura 3

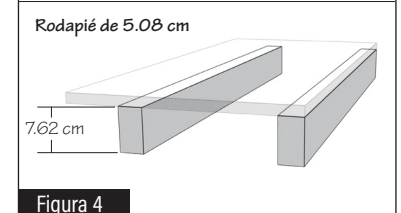
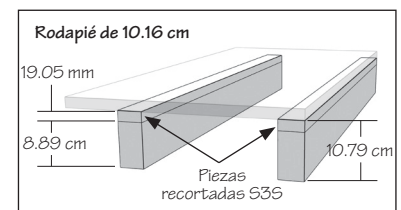


Figura 4

Kit de base de fregadero adaptable

6 Corte FL36 según las especificaciones a continuación y fije un soporte para piso al ras del borde posterior y el otro a 6.98 cm del borde frontal (Fig. 5). Luego, colóquelo en la abertura empujando hacia atrás contra el área del rodapié de BPS/VPS (Fig. 6):

A. BPS/VPS de 76.2 cm de ancho: 77.47 cm x 43.18 cm

B. BPS/VPS de 91.44 cm de ancho: ancho estándar de fábrica x 43.18 cm

7 Fije el lado hembra de los SUJETADORES DDF a la parte posterior del marco frontal ASB colocándolos 7.62 cm y 40.64 cm hacia abajo desde la parte superior del relleno S3S instalado en el Paso 1 (Fig. 7). Asegúrese de que el bastidor frontal ASB se monte al ras con la parte inferior del marco frontal BPS (Fig. 8).

8 Vuelva a colocar las puertas en el marco frontal ASB.

9 Fije el rodapié decorativo del mismo color colocando uniones a ambos lados de BPS/VPS para permitir la extracción del piso y el marco frontal con las puertas sin afectar el rodapié del gabinete adyacente. (Fig. 9)

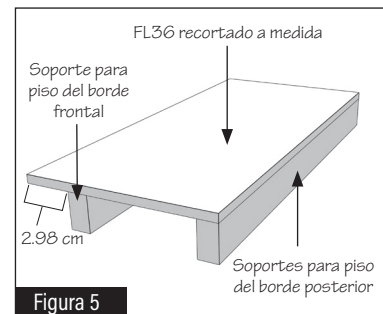


Figura 5

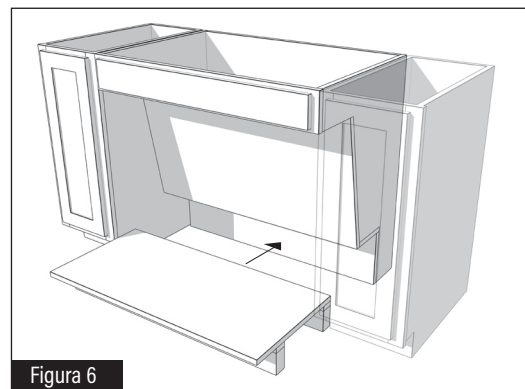


Figura 6

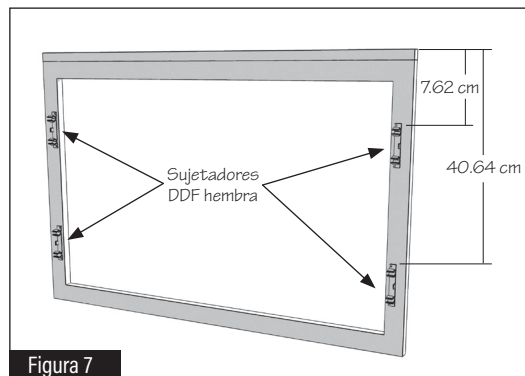


Figura 7

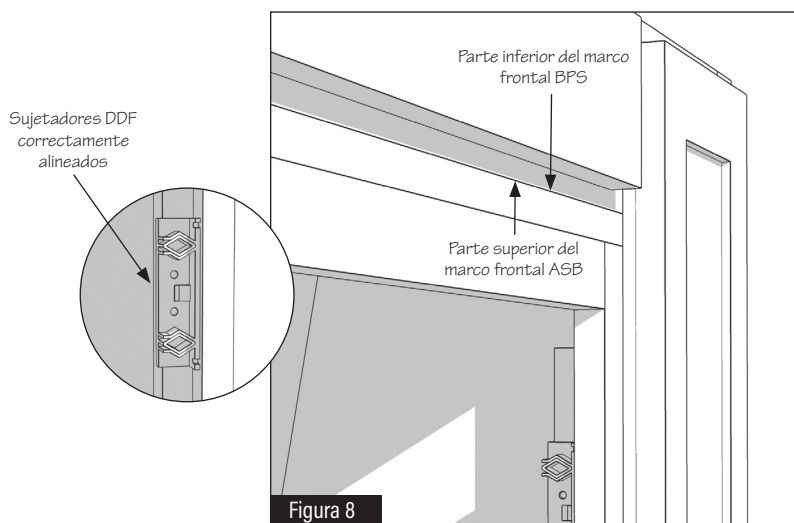


Figura 8

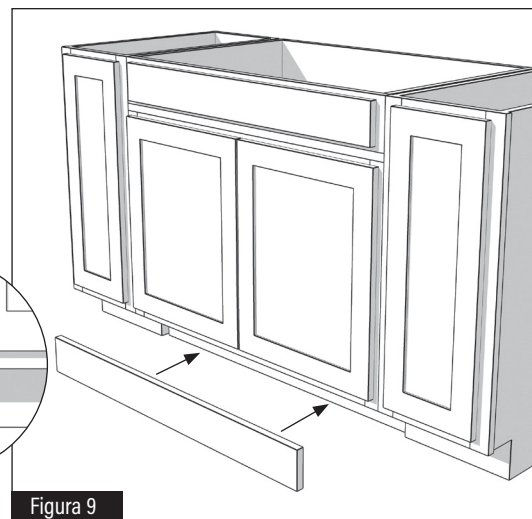


Figura 9